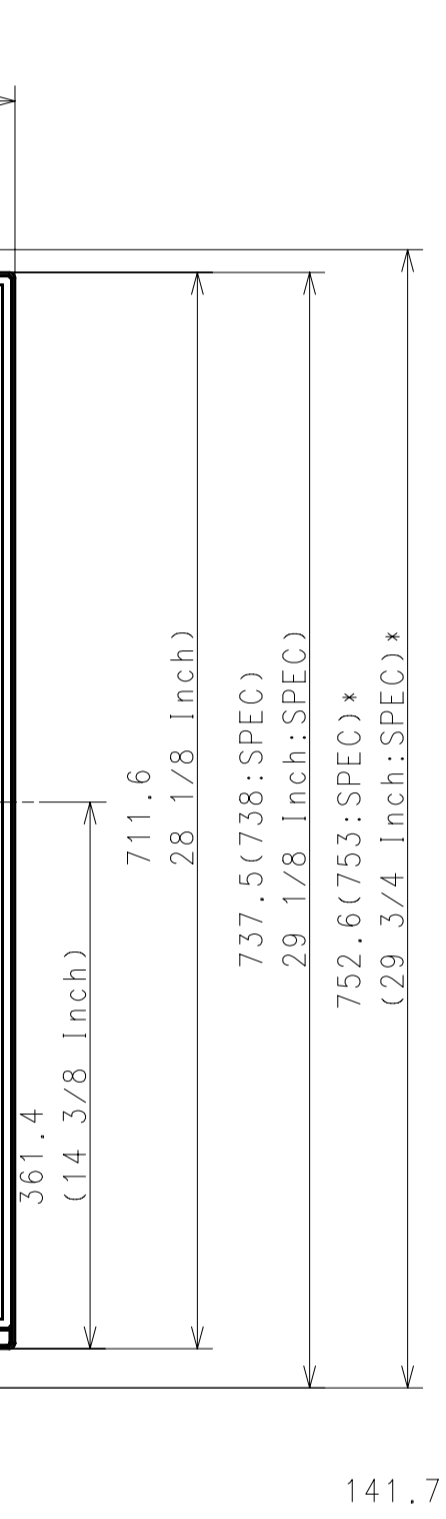
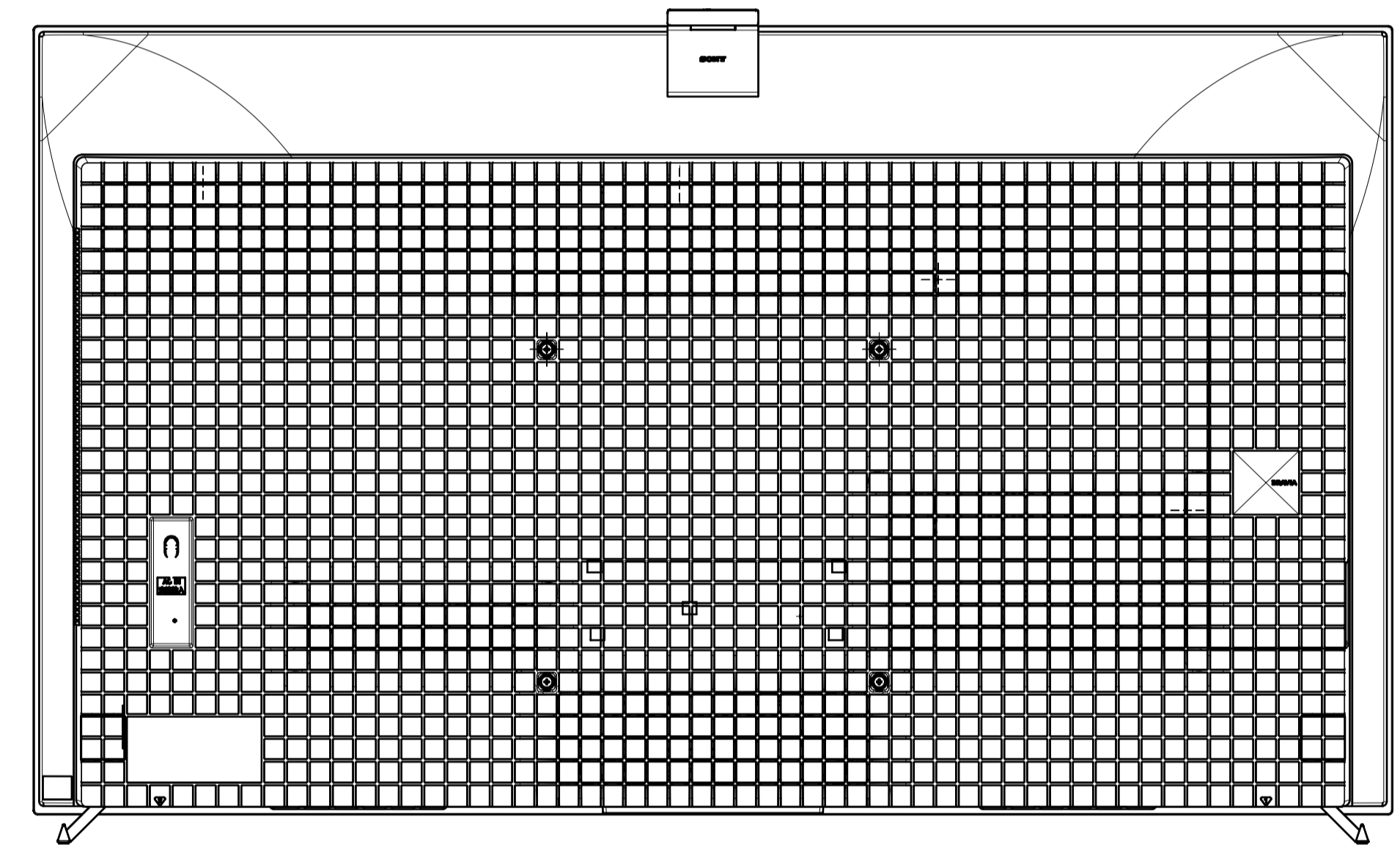
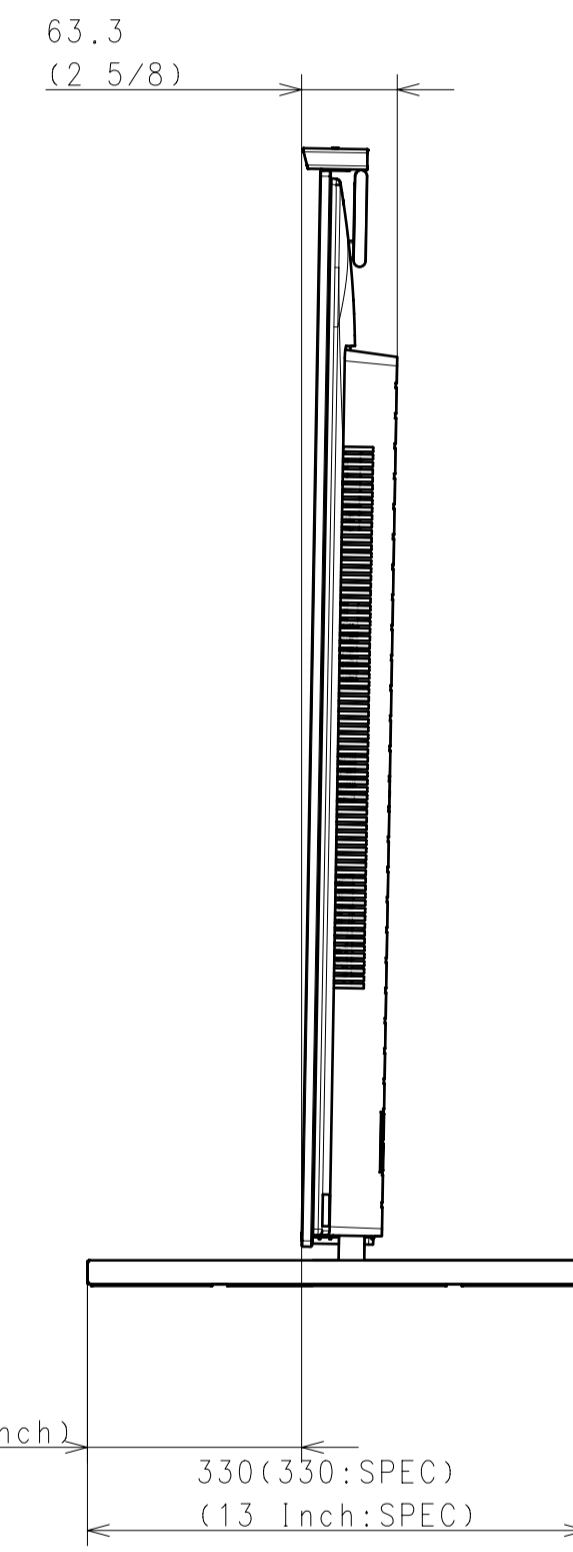
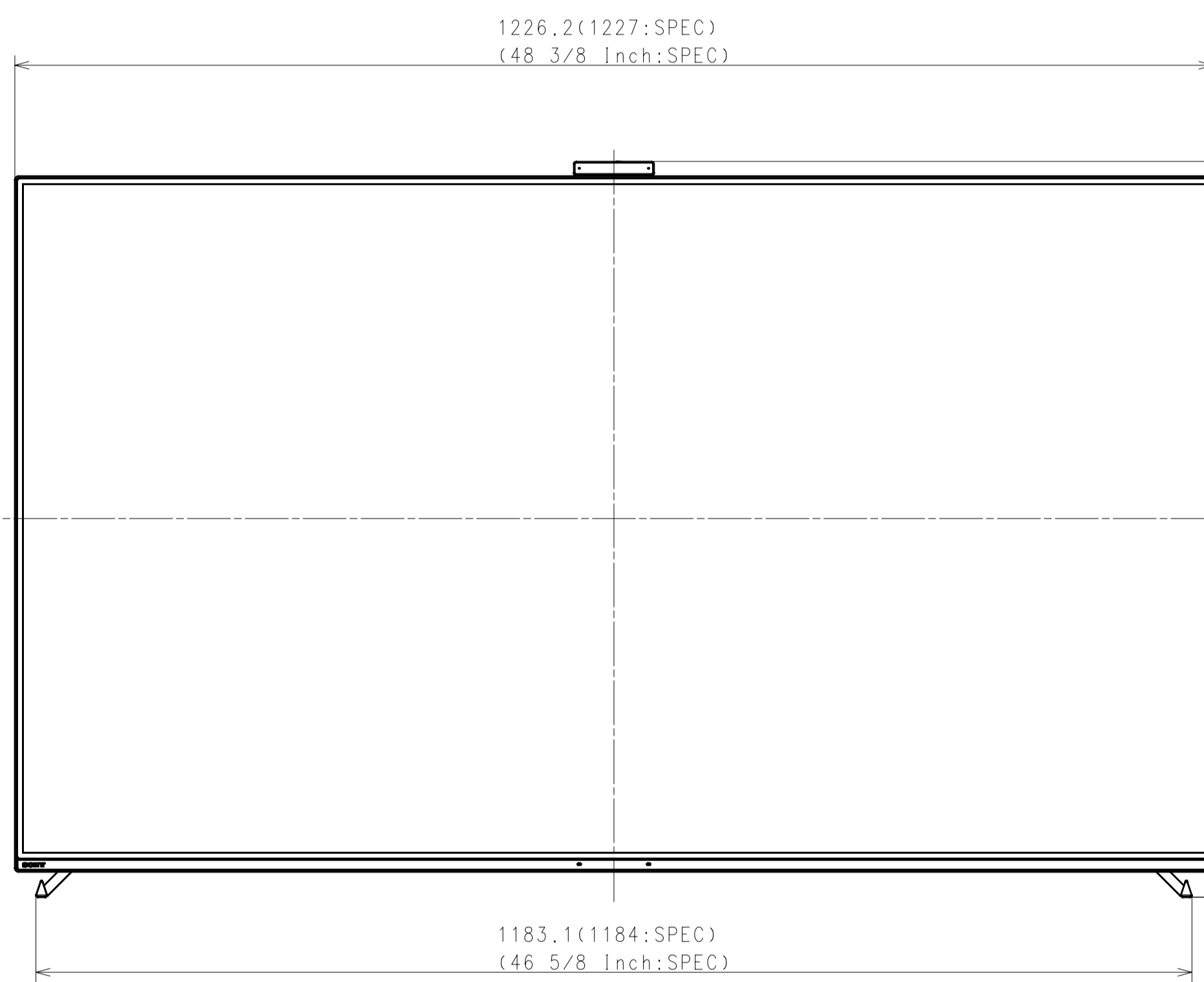
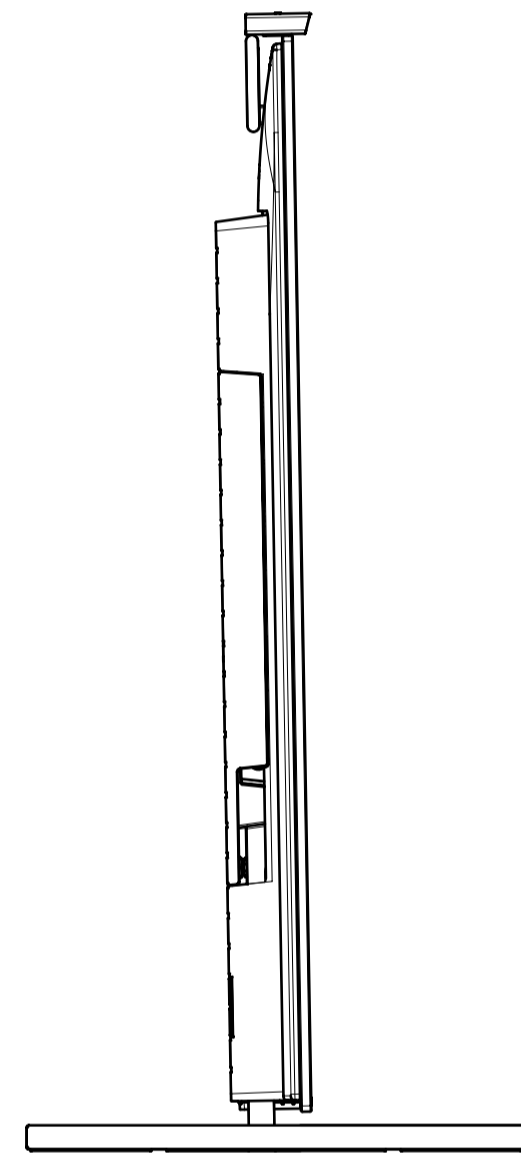
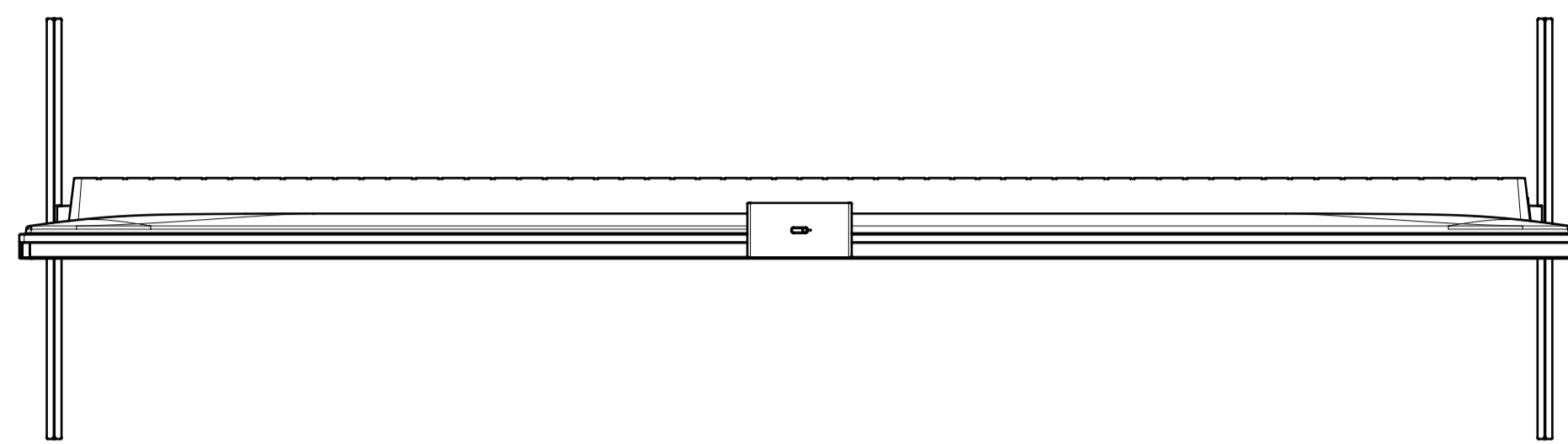


WITH STAND

STANDARD POSITION
FOR LA/NA ONLY

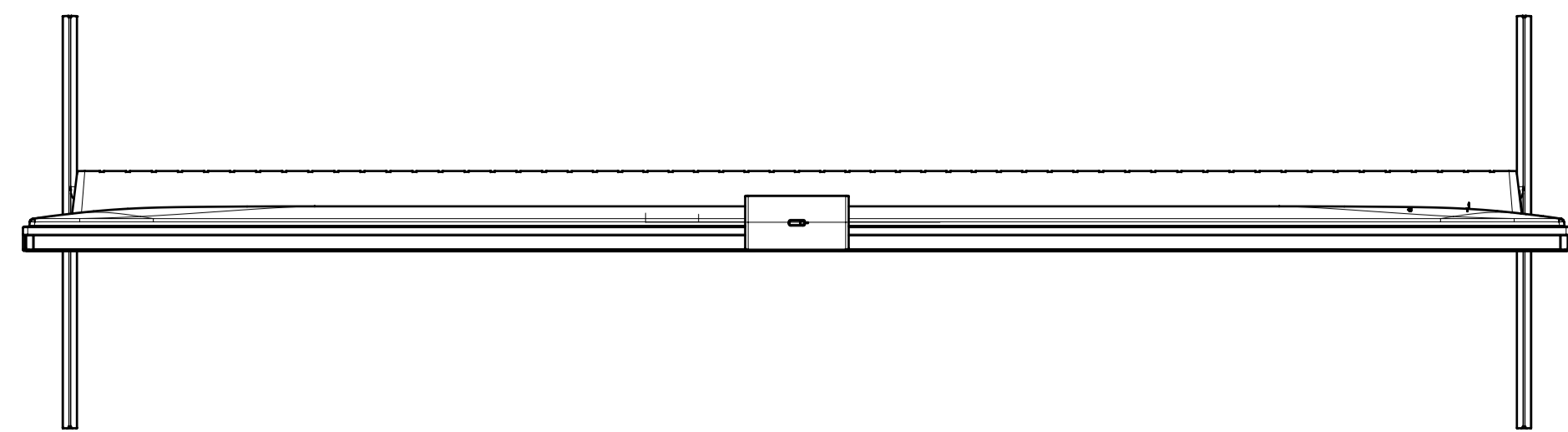


SONY STANDARD
DRAWING

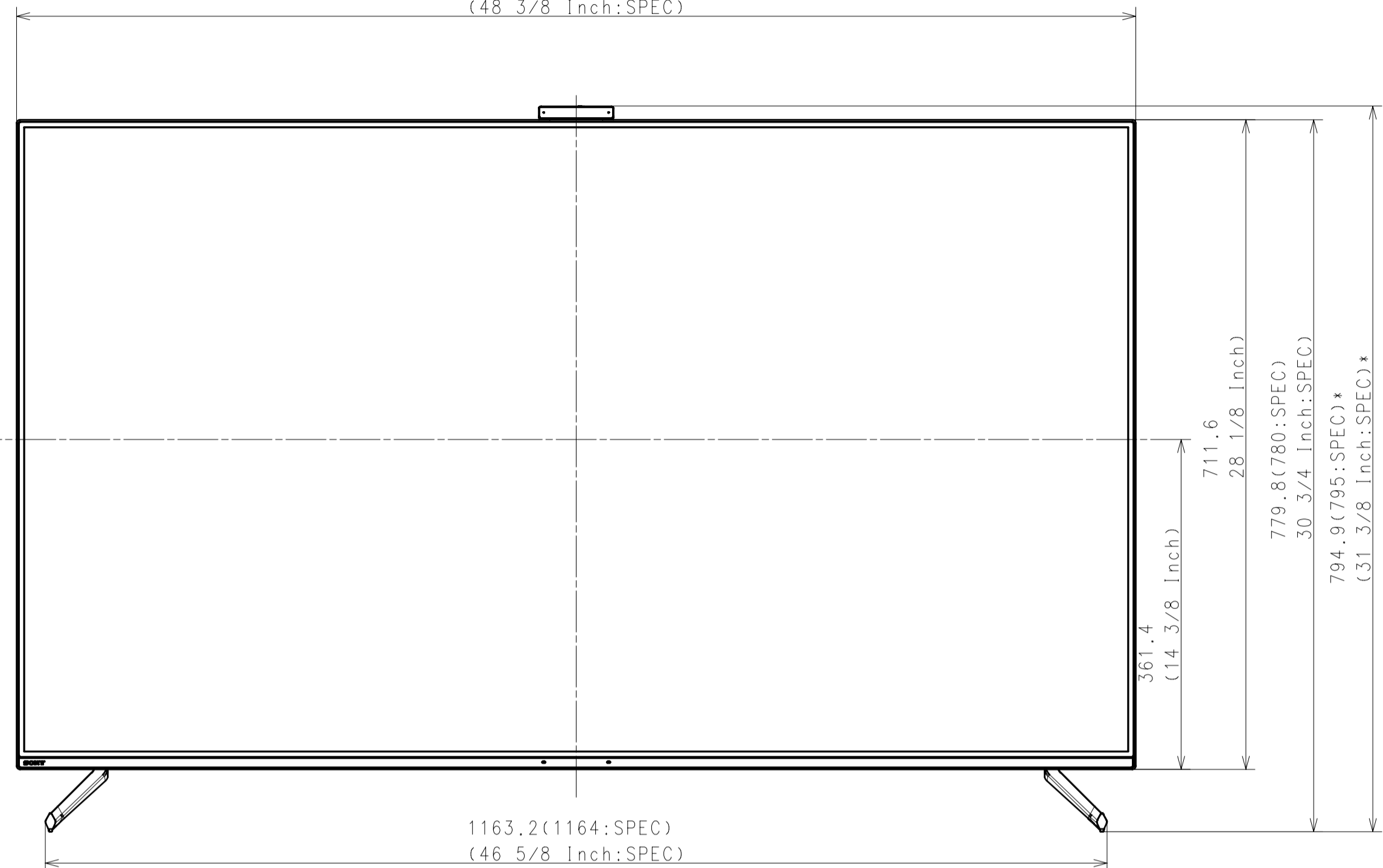
DESCRIPTION 1	LEGAL OWNER	SCALE
55(A80L) EXTERIOR VIEW	Sony Corporation	1:5
DESCRIPTION 2	PART NO.	SHEET/PAGES
55(A80L) EXTERIOR VIEW		2 / 7

WITH STAND

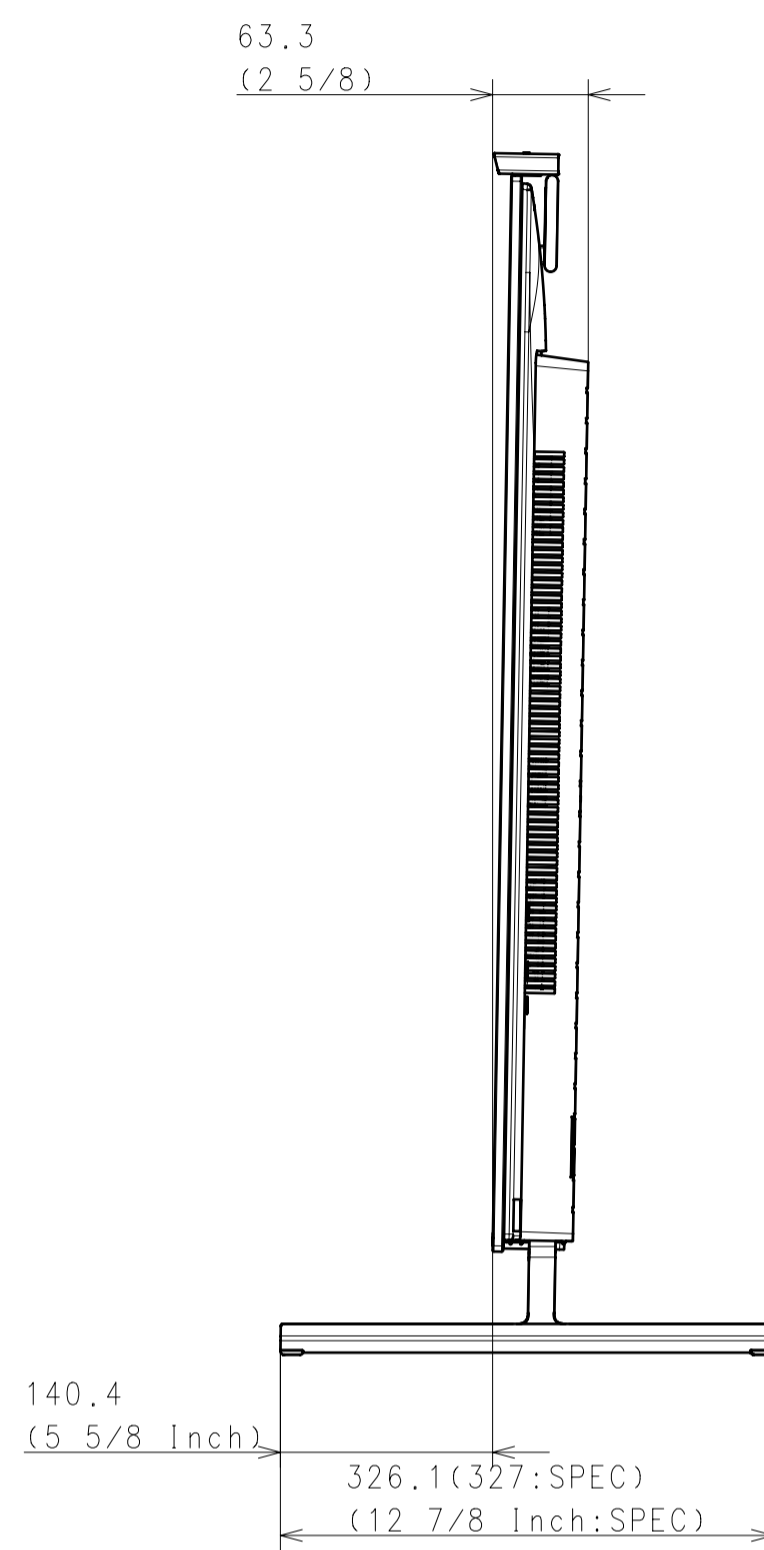
SOUNDBAR POSITION
FOR ALL EXCEPT LA/NA



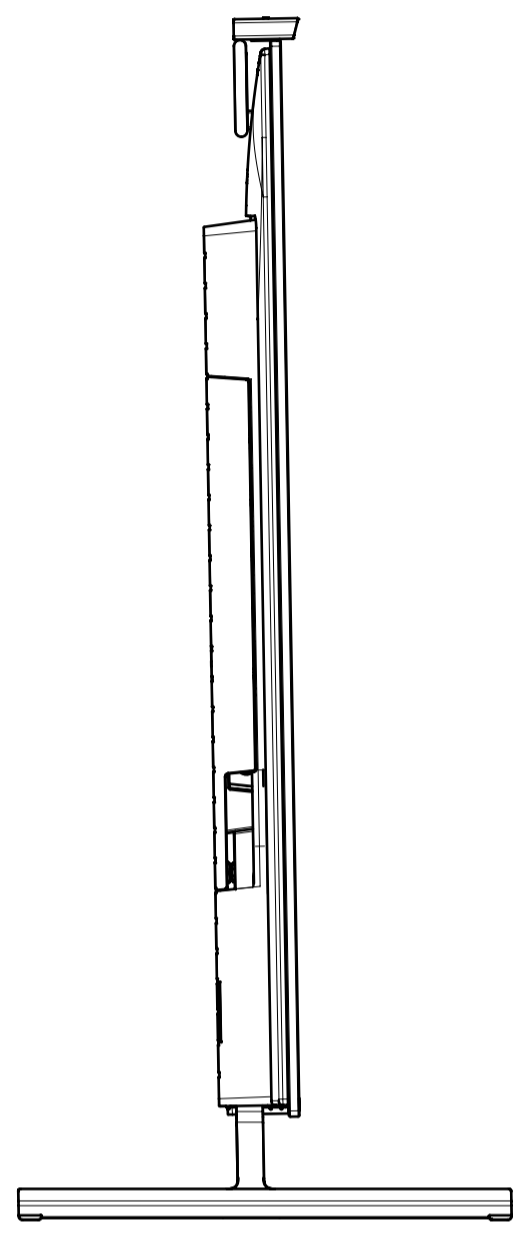
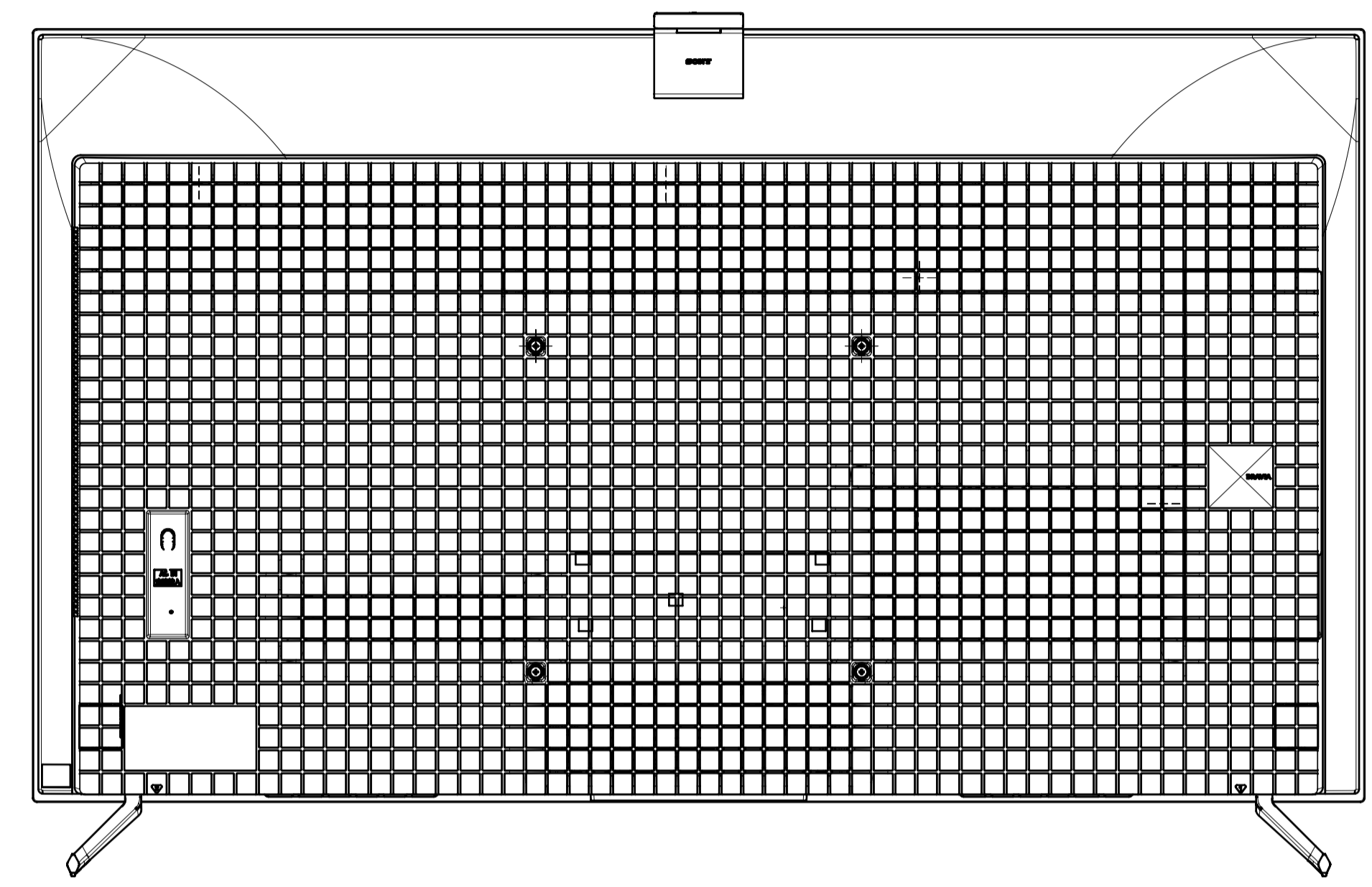
1226.2(1227:SPEC)
(48 3/8 Inch:SPEC)



1163.2(1164:SPEC)
(46 5/8 Inch:SPEC)

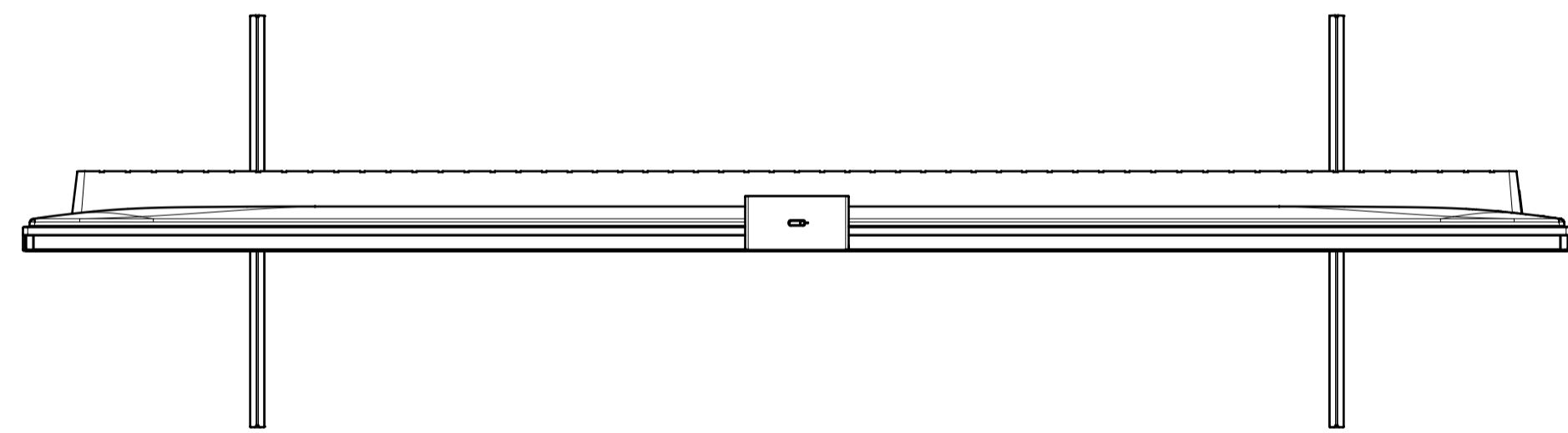


140.4
(5 5/8 Inch)

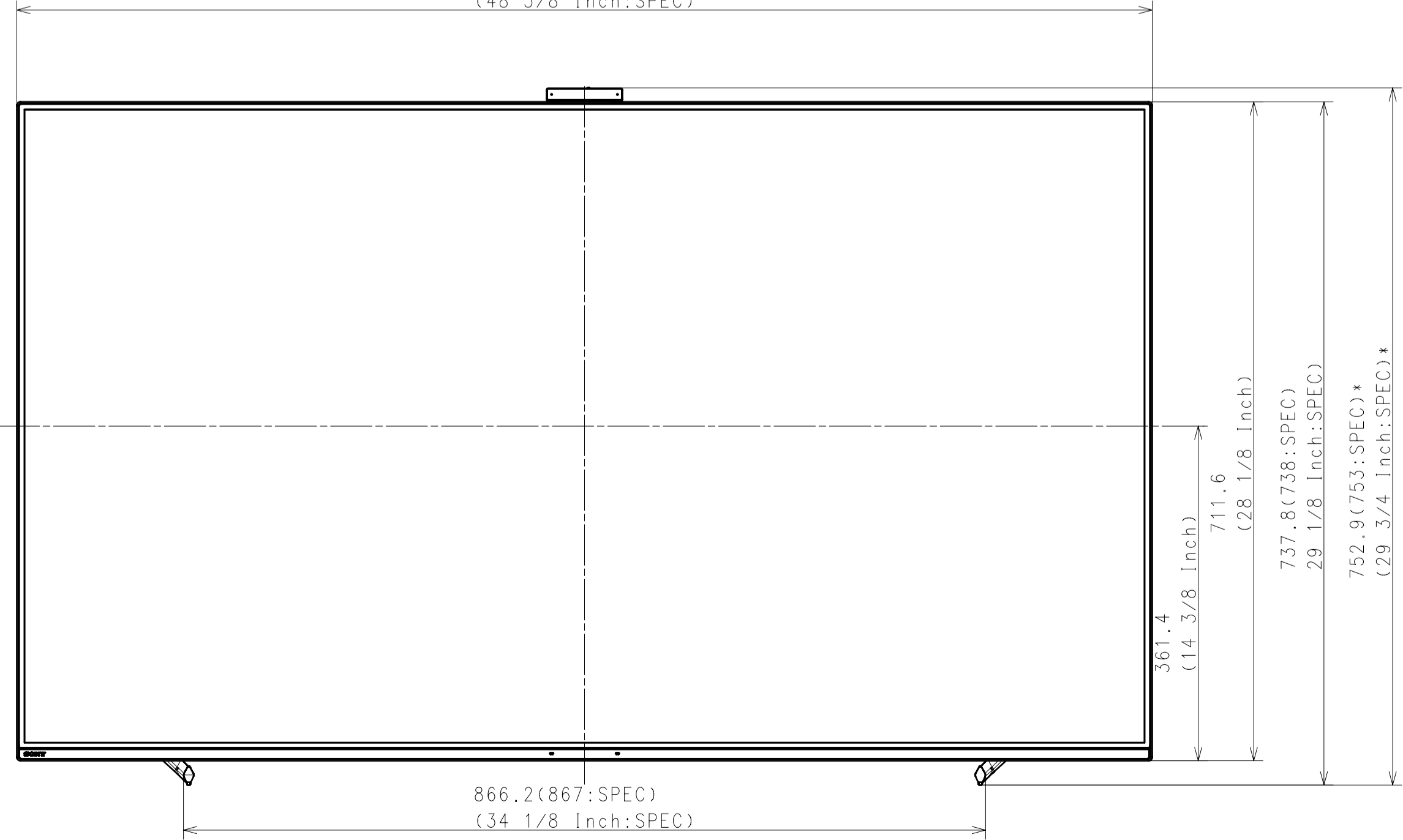


WITH STAND

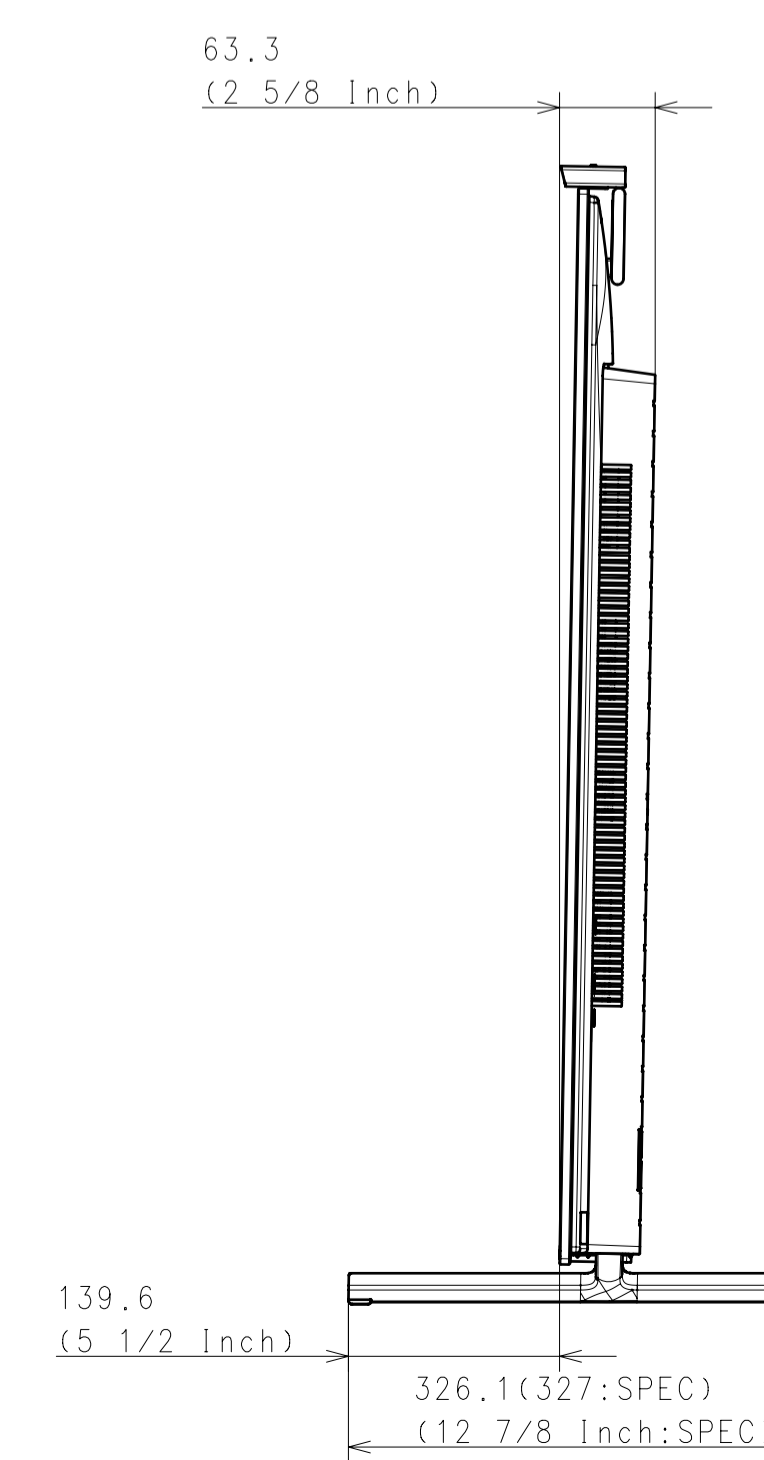
NARROW POSITION
FOR ALL EXCEPT LA/NA



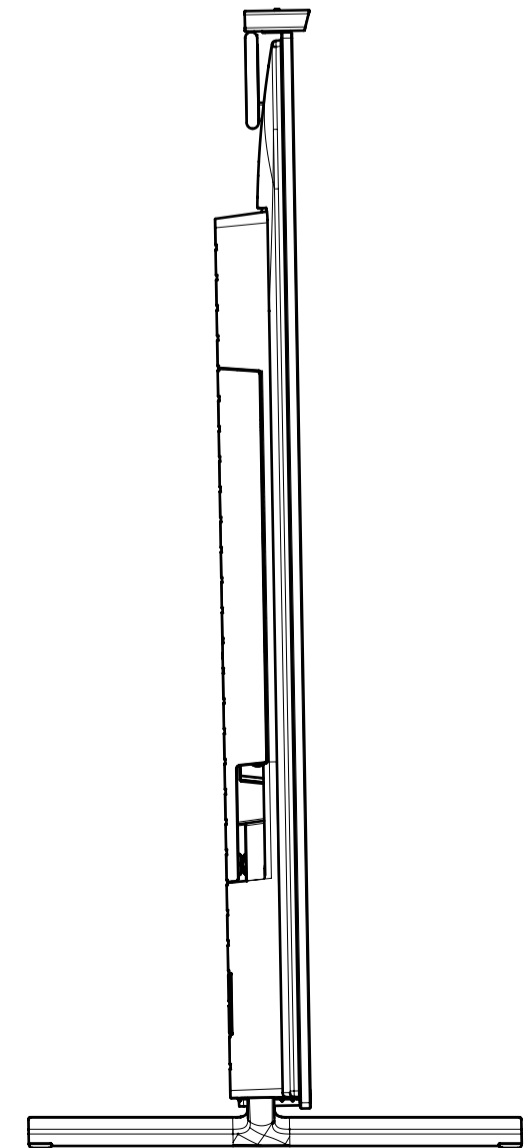
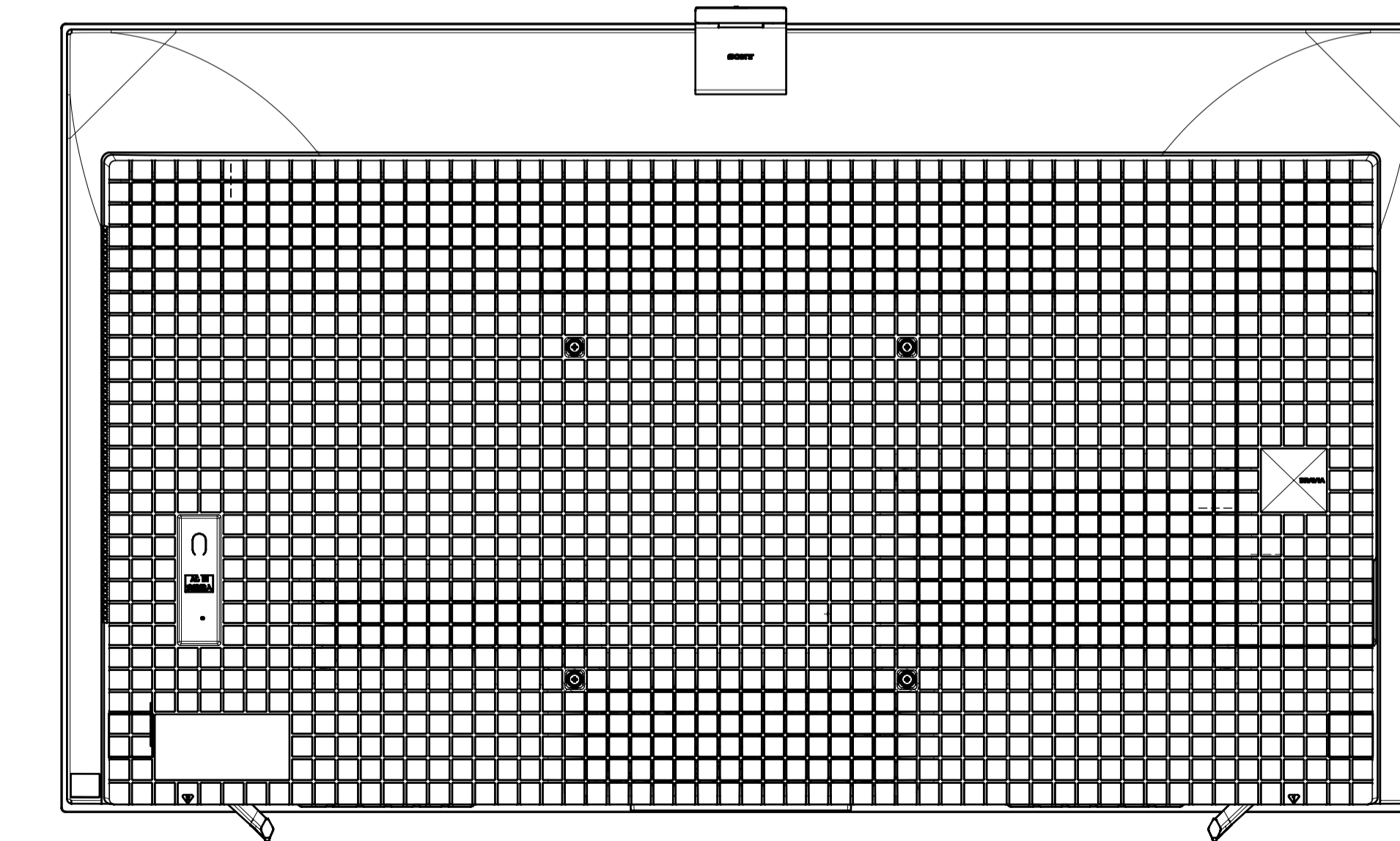
1226.2(1227:SPEC)
(48 3/8 Inch:SPEC)



866.2(867:SPEC)
(34 1/8 Inch:SPEC)



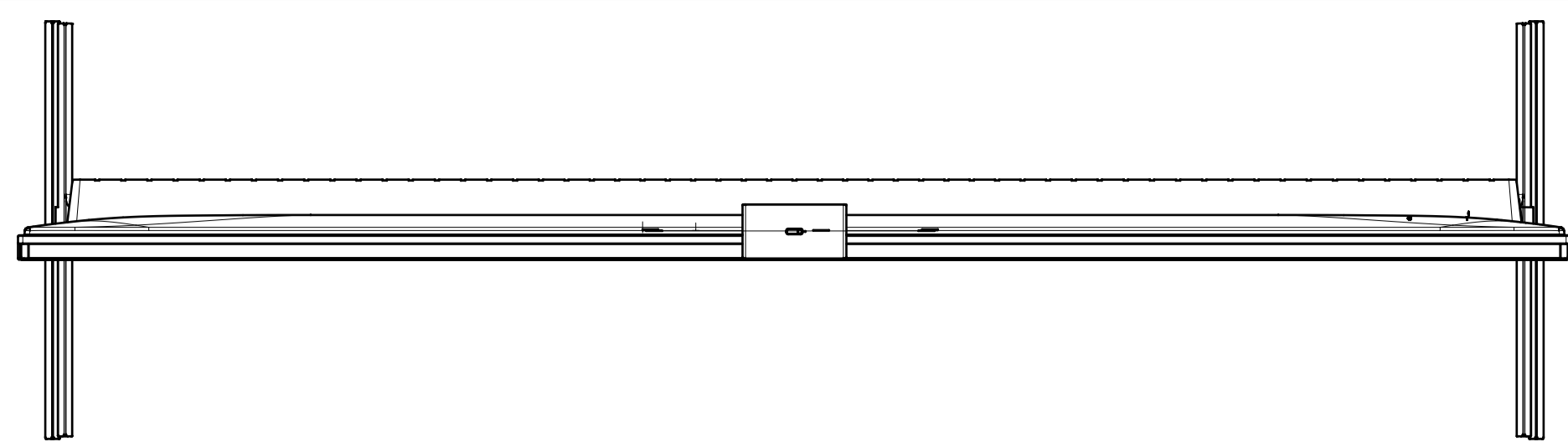
139.6
(5 1/2 Inch)



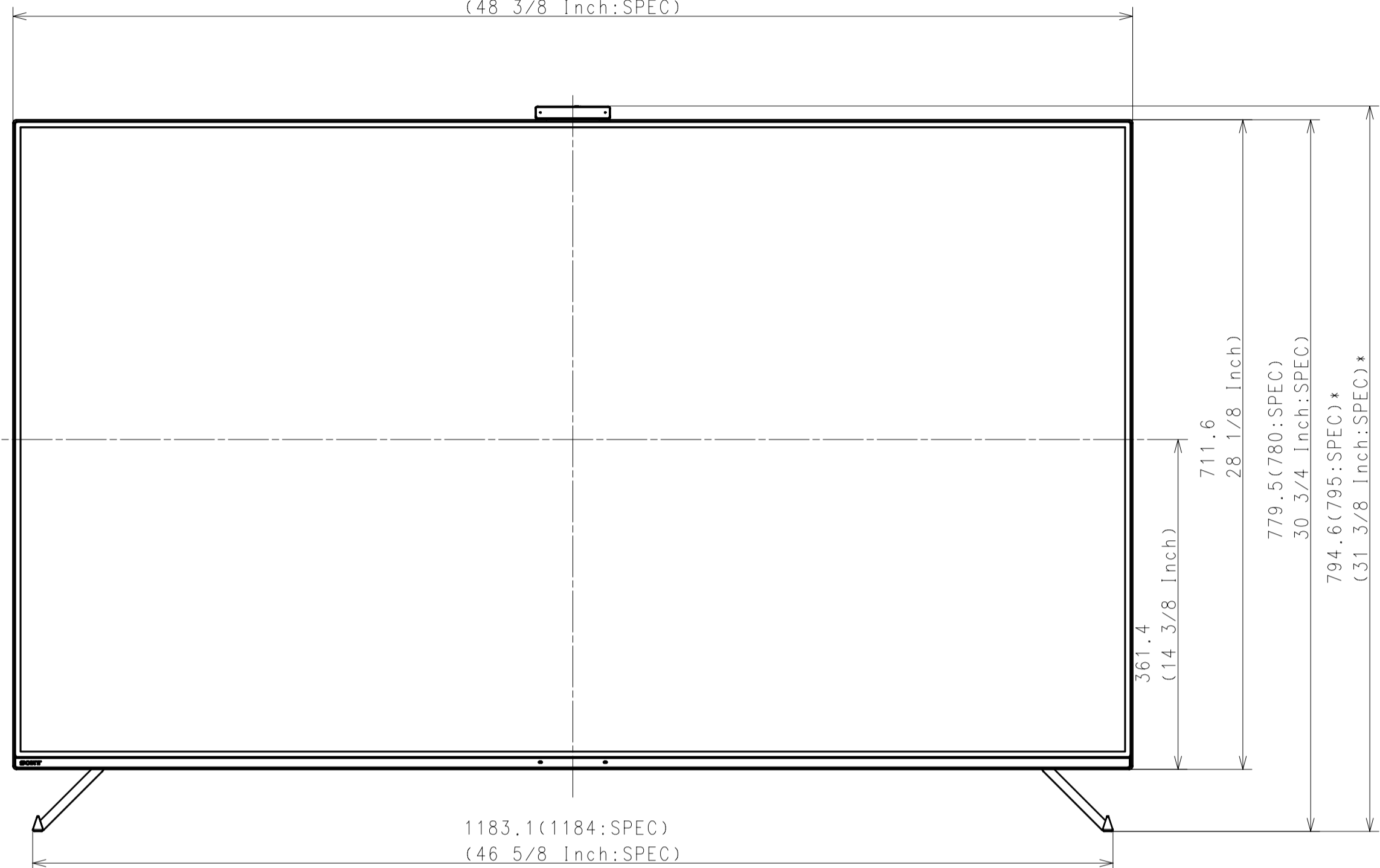
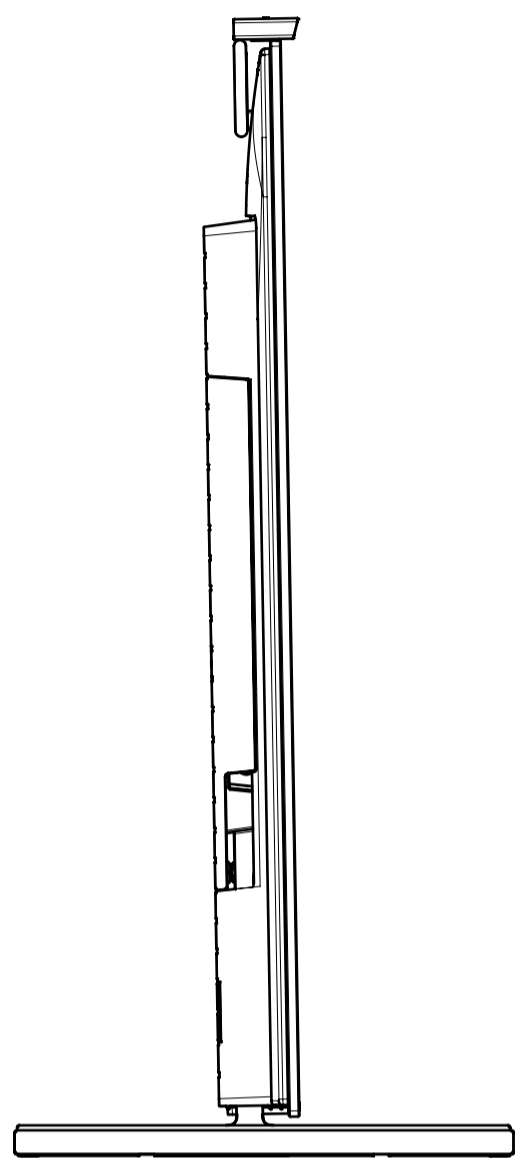
DESCRIPTION 1	55(A80L) EXTERIOR VIEW	LEGAL OWNER	Sony Corporation	SCALE	1:5
DESCRIPTION 2	55(A80L) EXTERIOR VIEW	PART NO.		SHEET/PAGES	3 / 7

WITH STAND

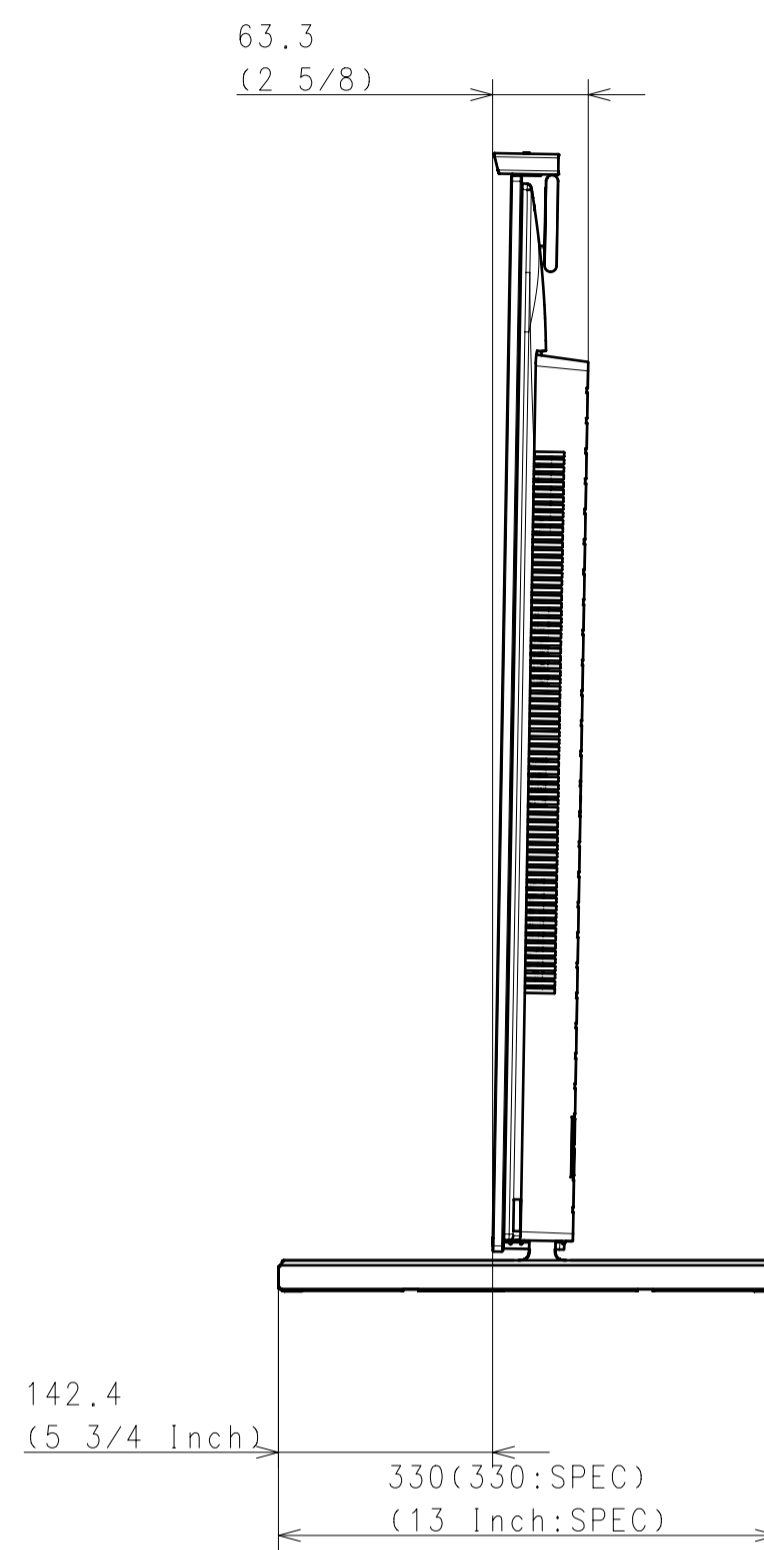
SOUNDBAR POSITION
FOR LA/NA ONLY



1226.2(1227:SPEC)
(48 3/8 Inch:SPEC)

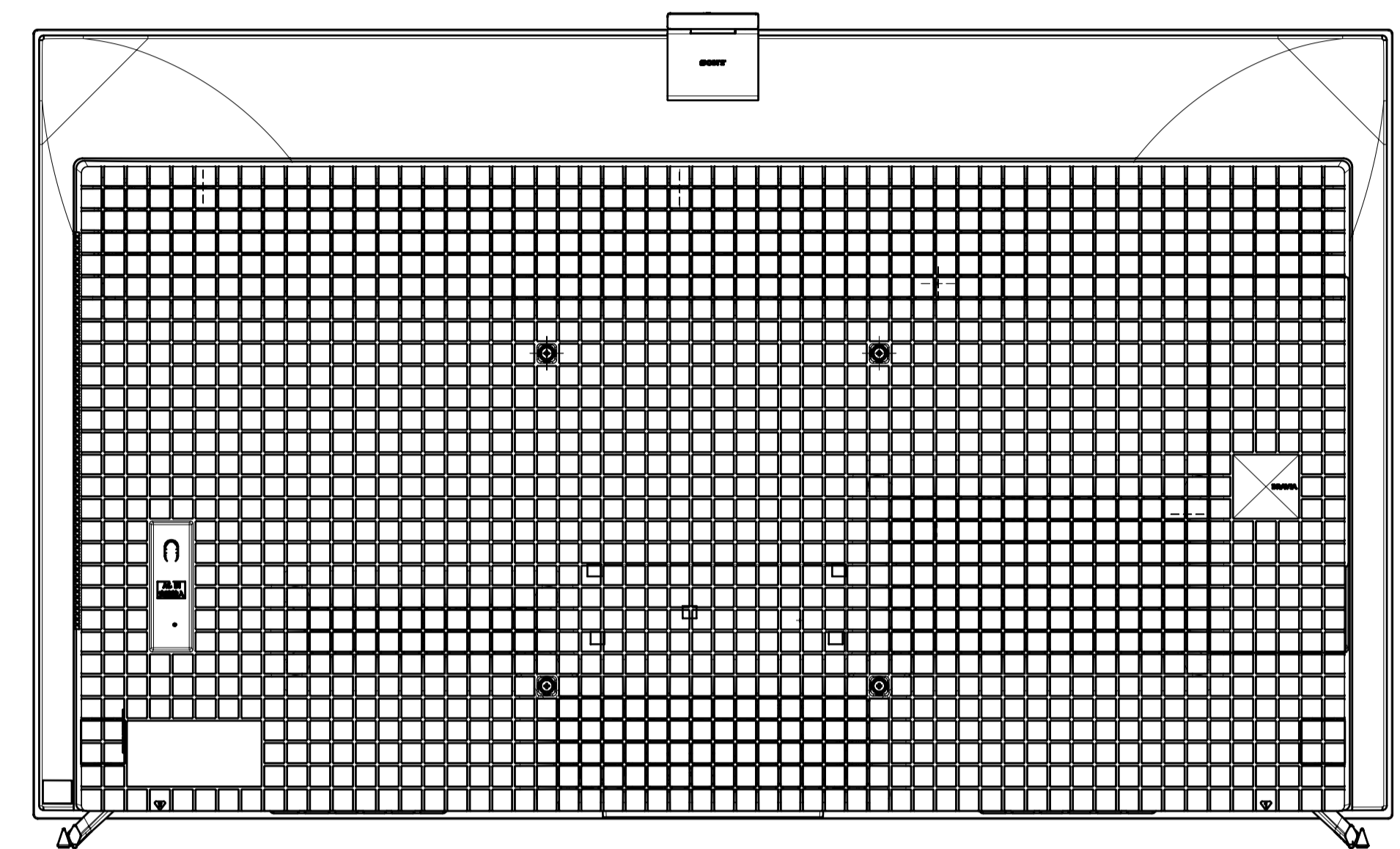


1183.1(1184:SPEC)
(46 5/8 Inch:SPEC)



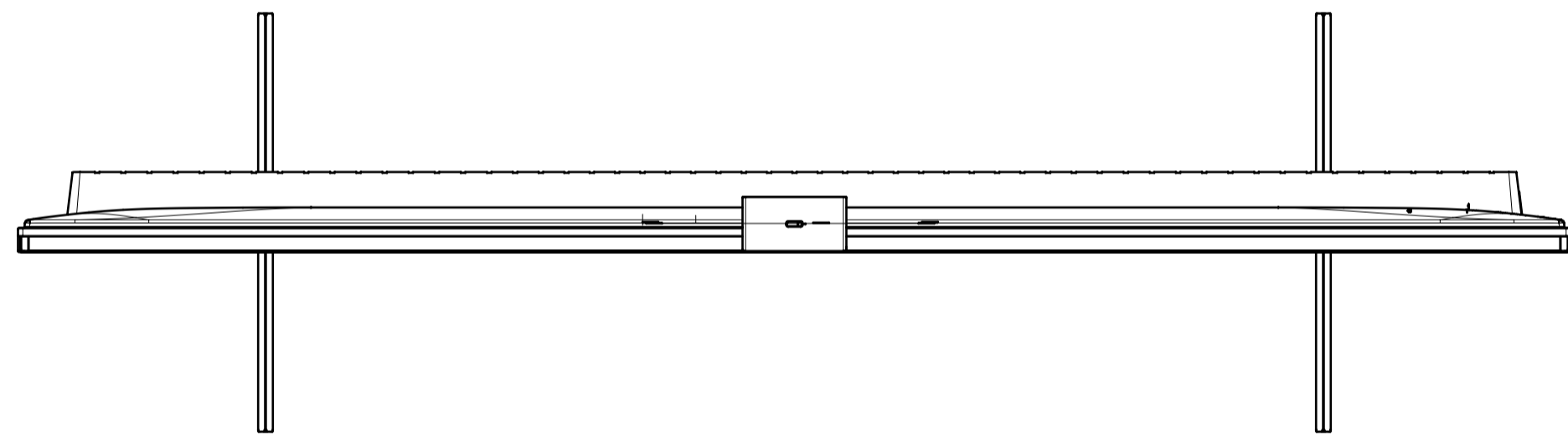
142.4
(5 3/4 Inch)

330(330:SPEC)
(13 Inch:SPEC)

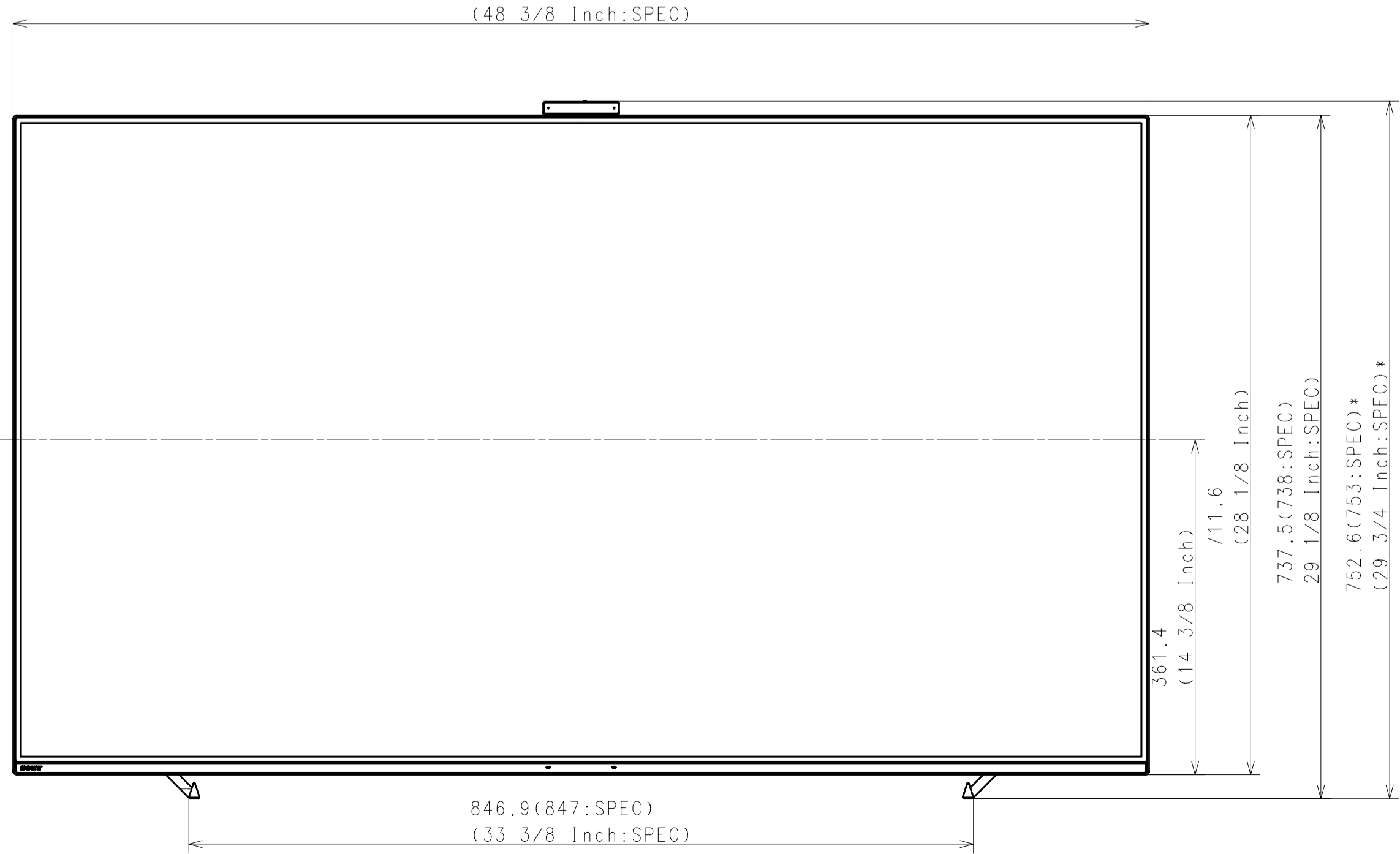
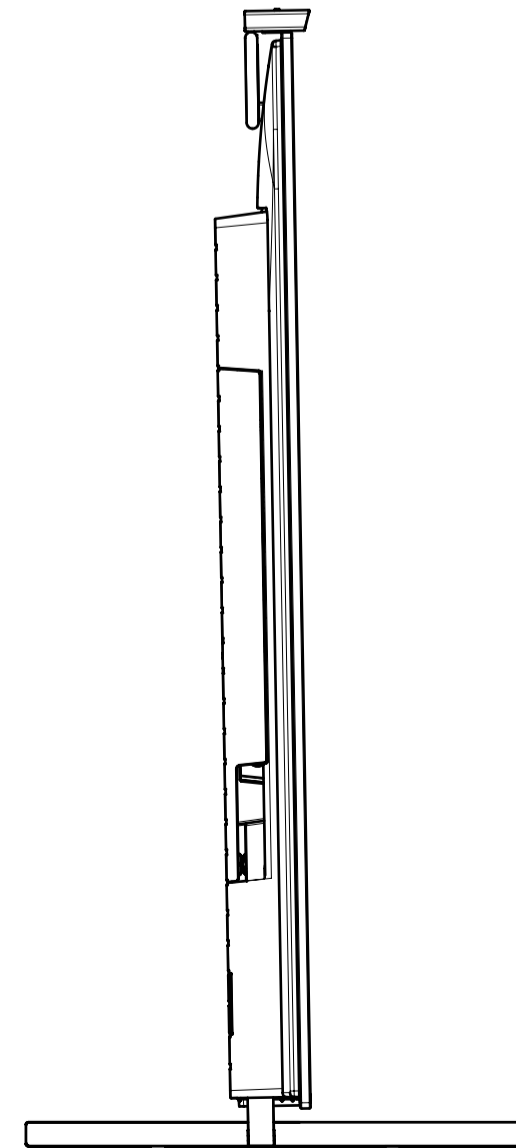


WITH STAND

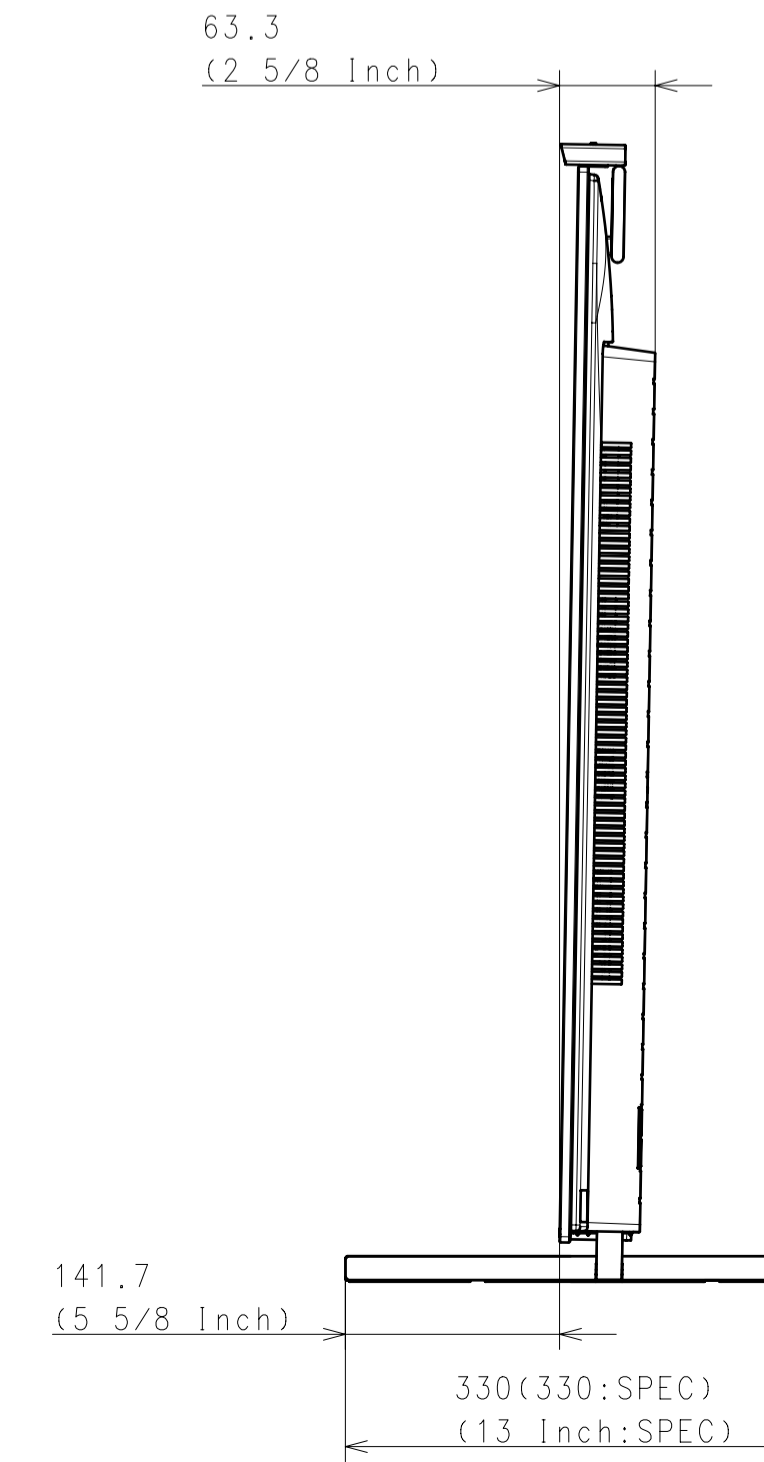
NARROW POSITION
FOR LA/NA ONLY



1226.2(1227:SPEC)
(48 3/8 Inch:SPEC)

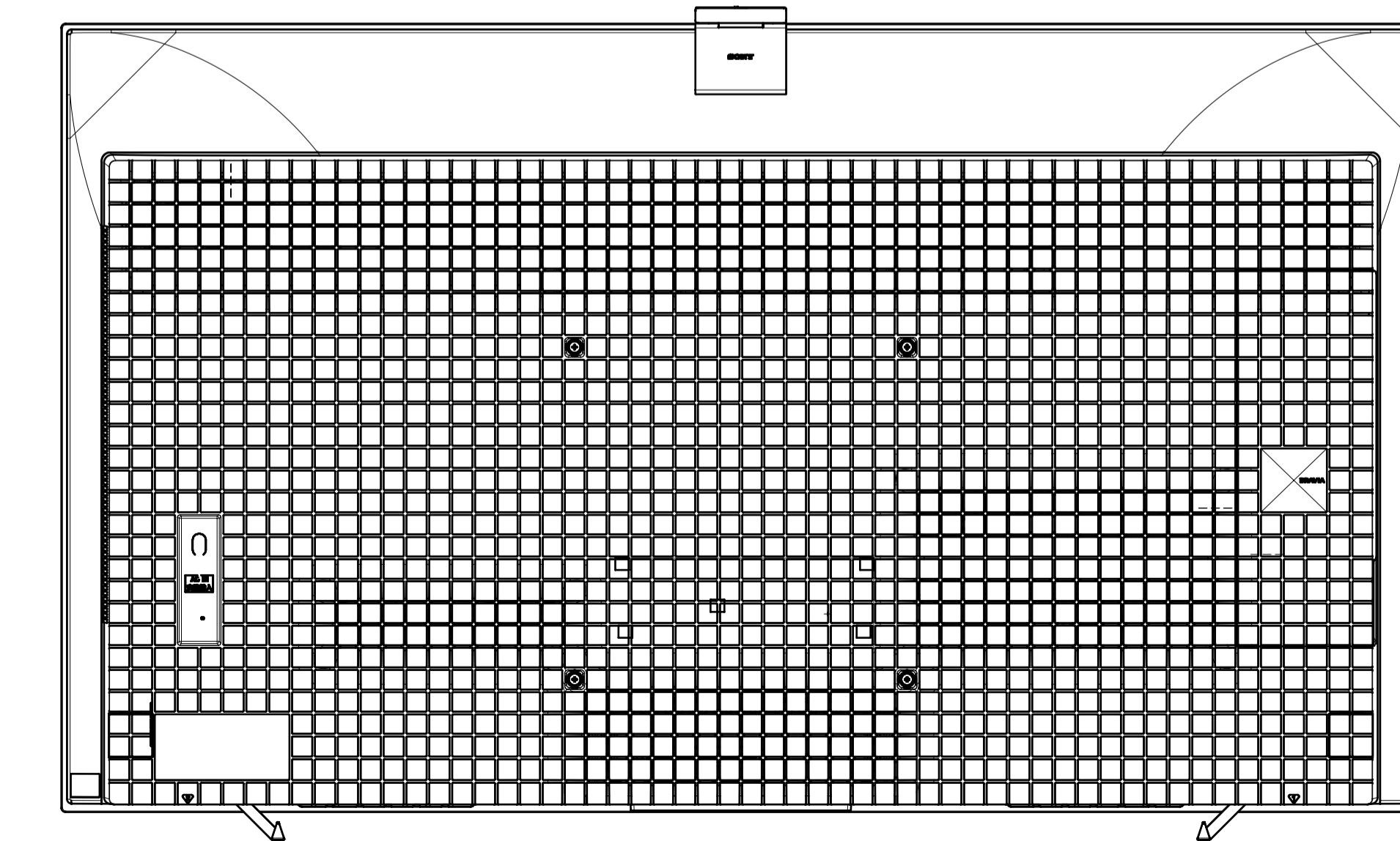


846.9(847:SPEC)
(33 3/8 Inch:SPEC)



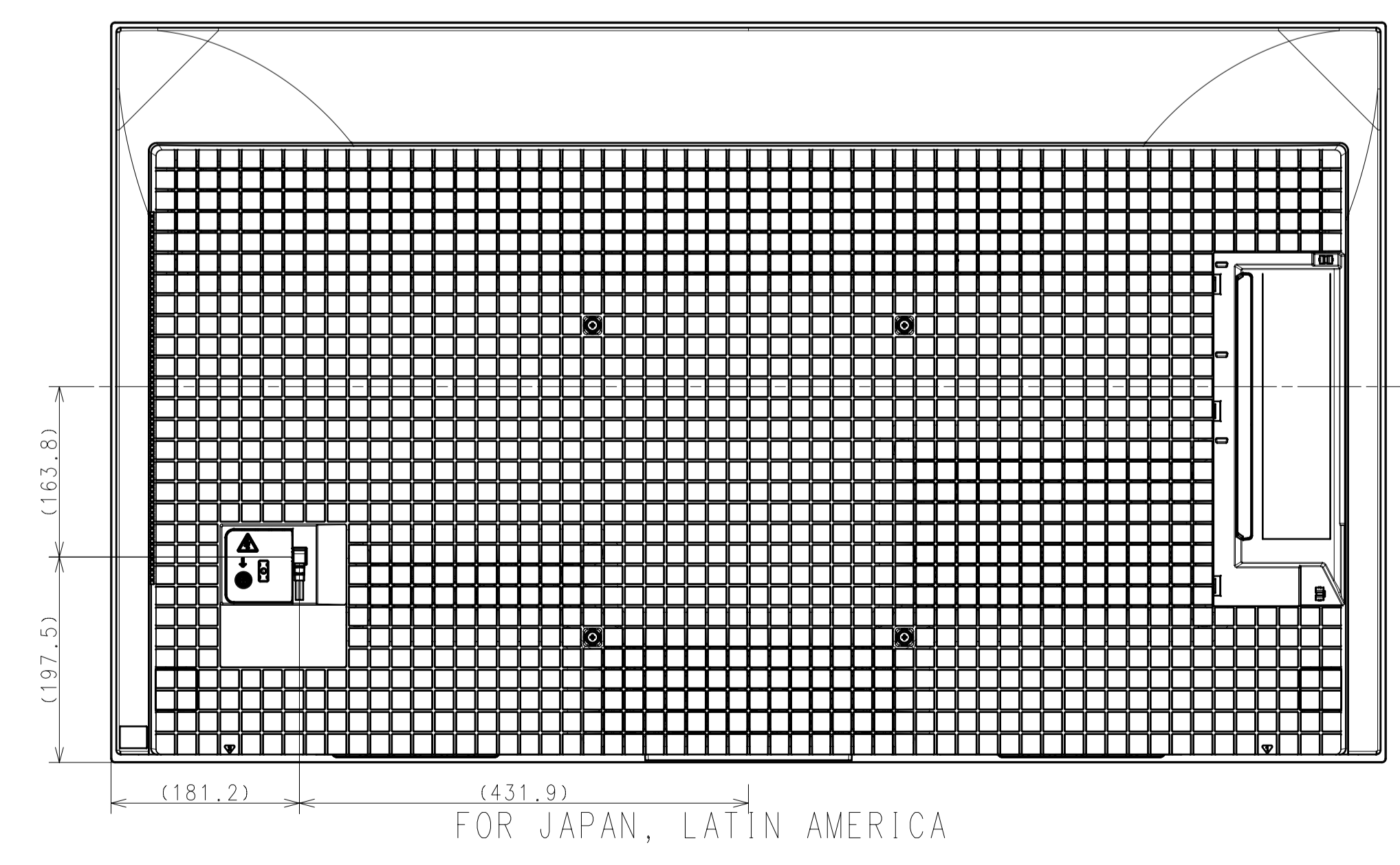
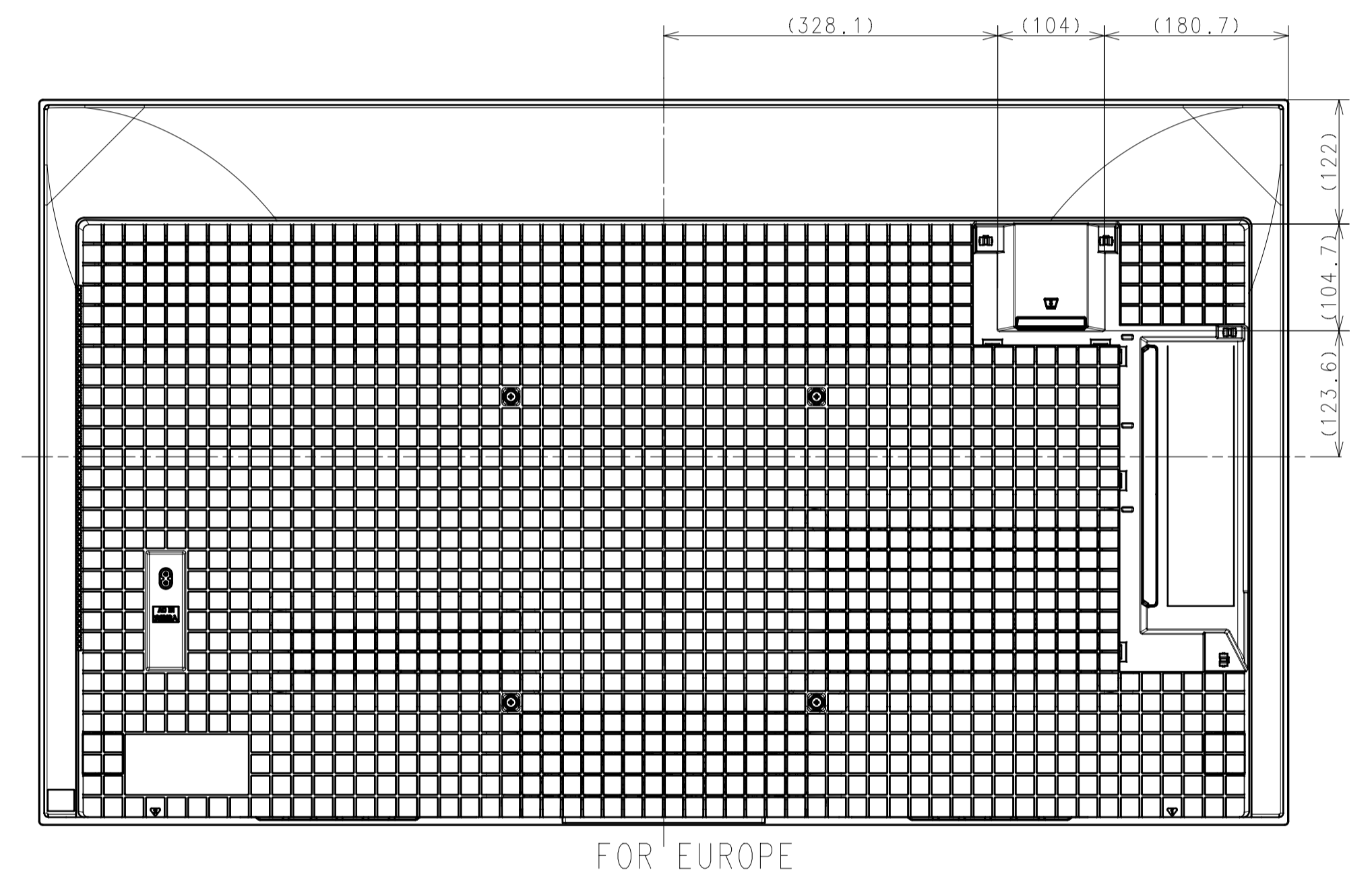
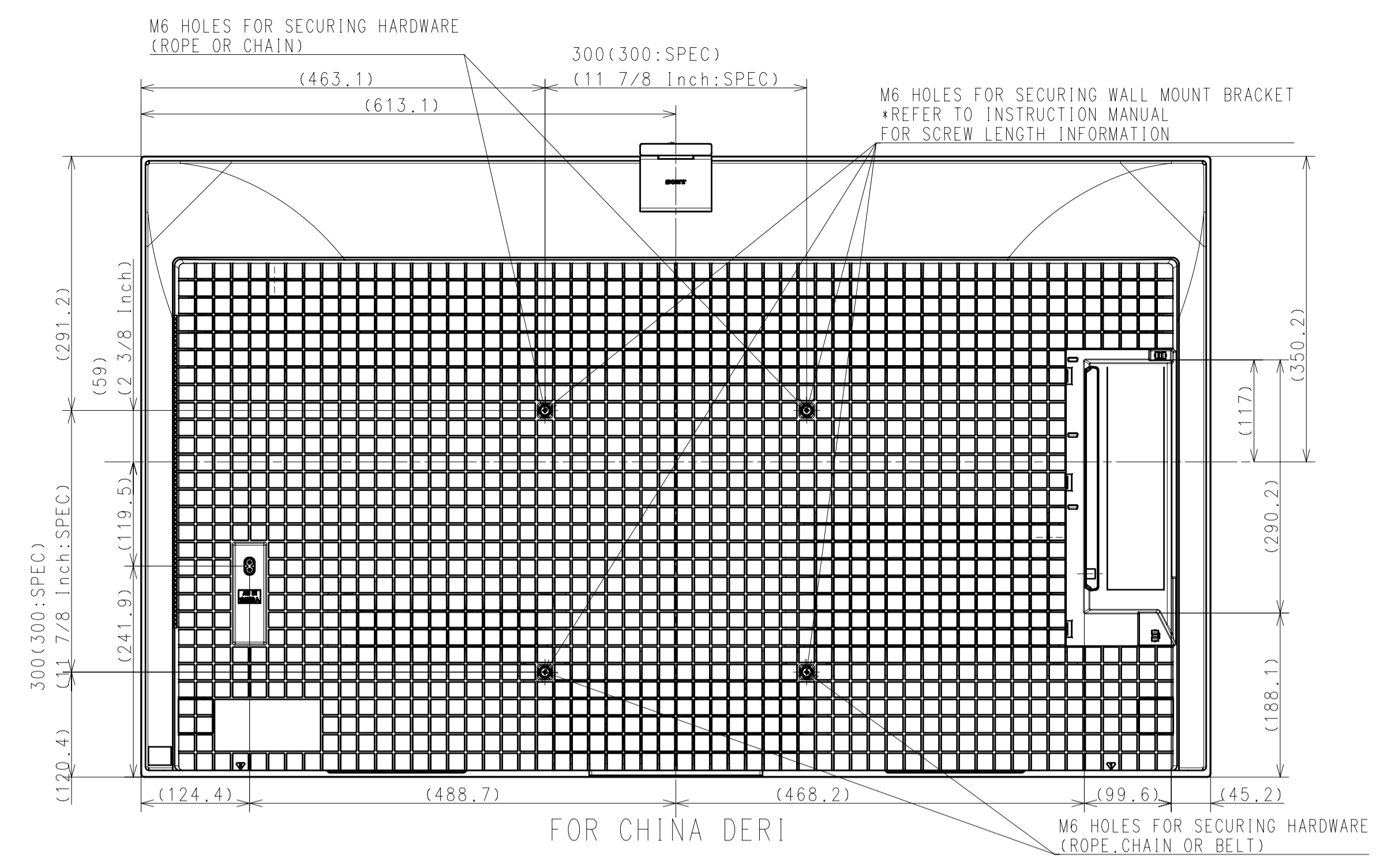
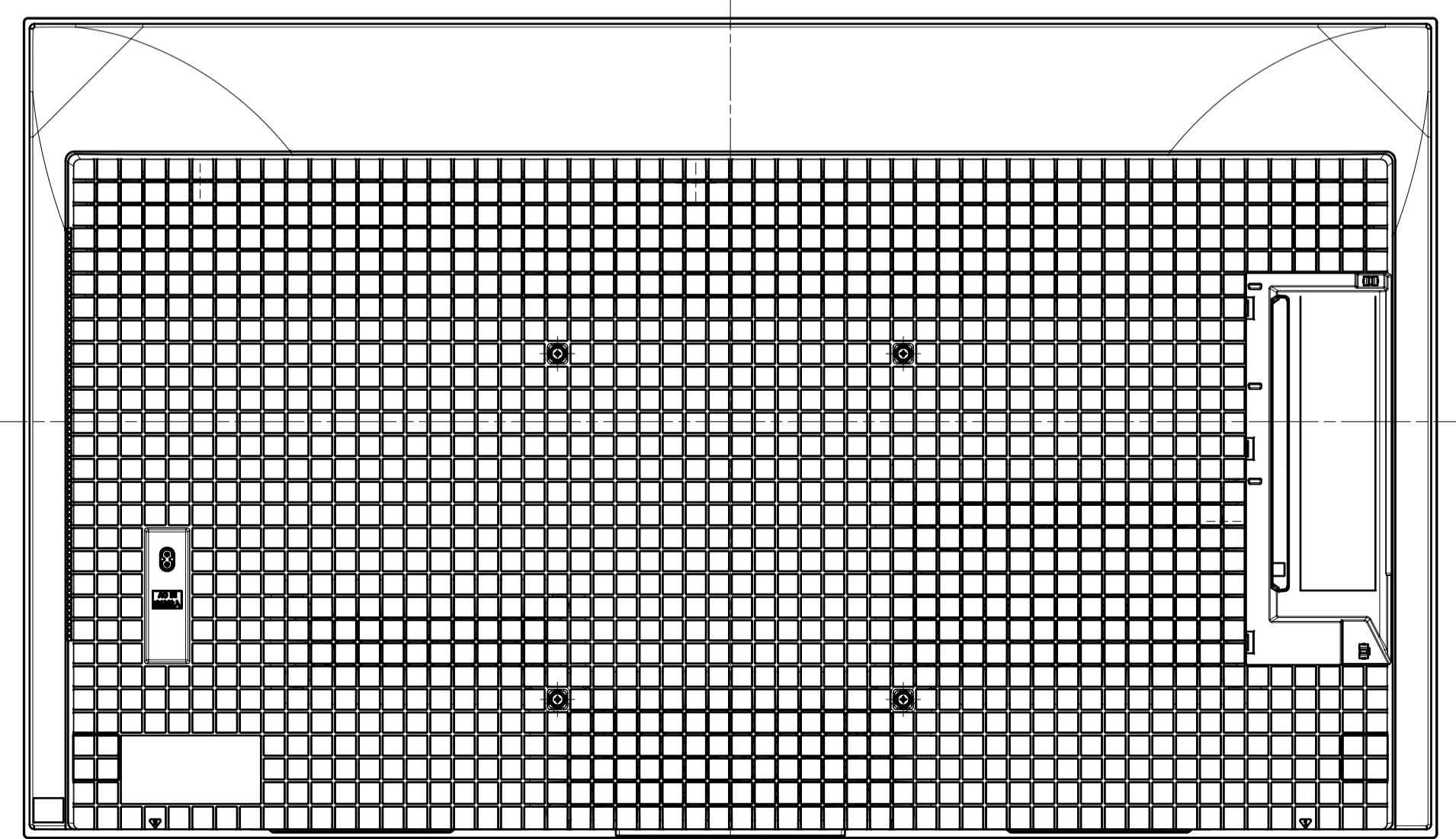
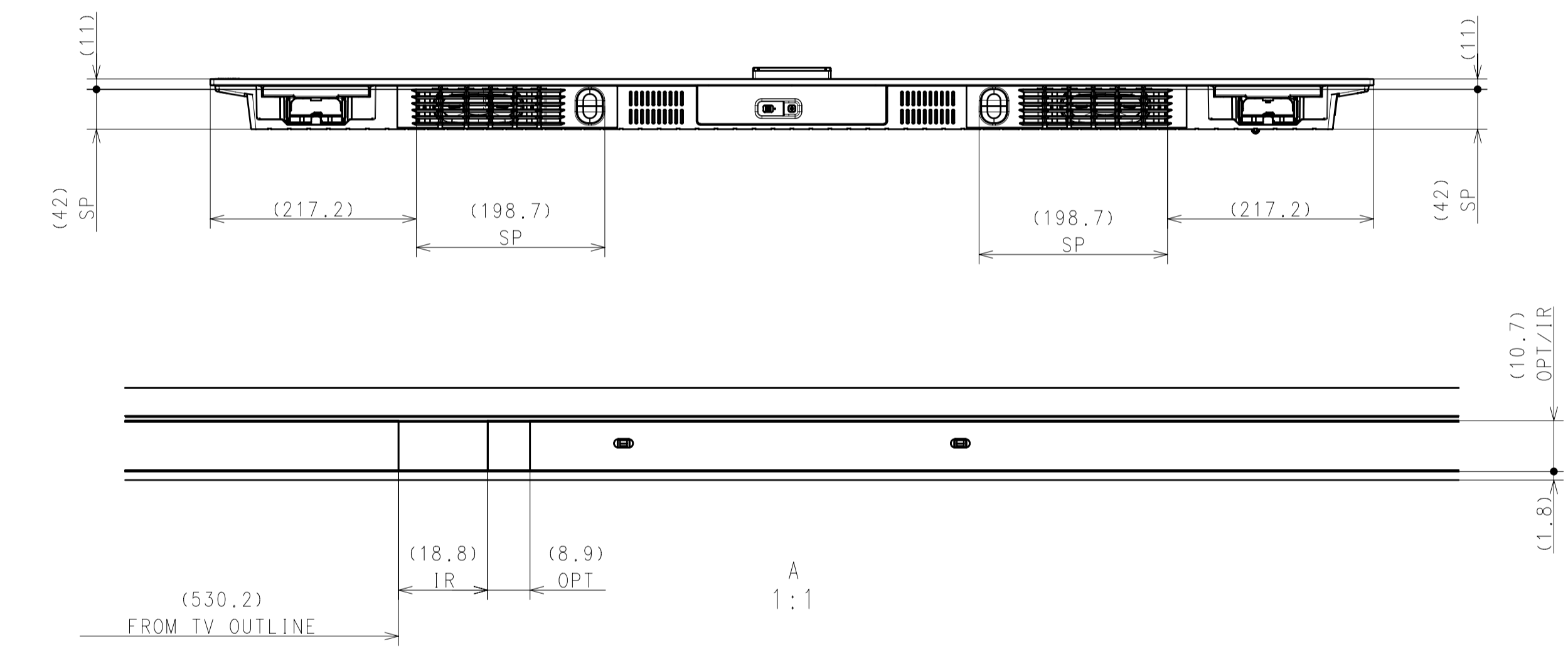
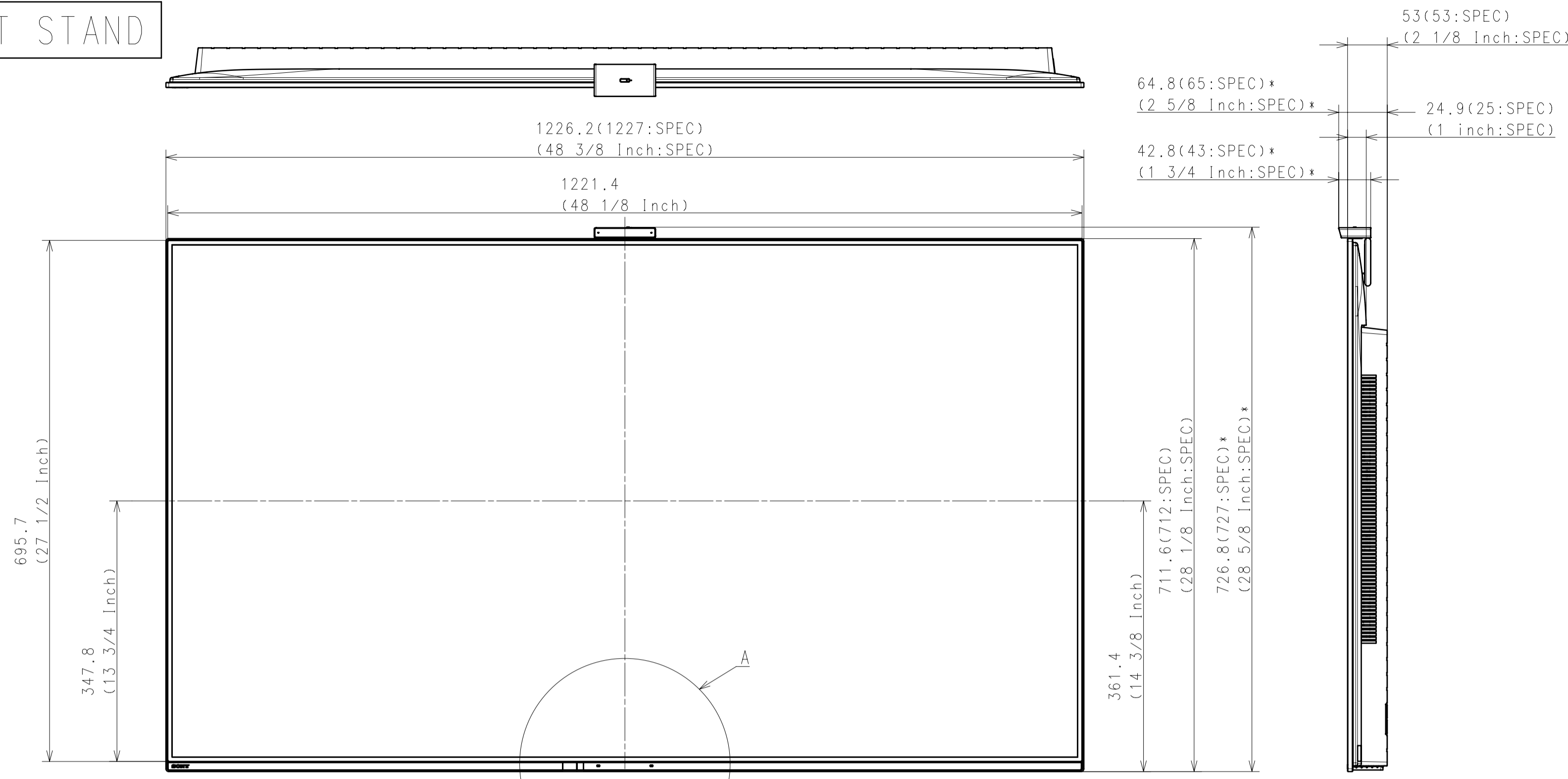
141.7
(5 5/8 Inch)

330(330:SPEC)
(13 Inch:SPEC)



DESCRIPTION 1	LEGAL OWNER	SCALE
55(A80L) EXTERIOR VIEW	Sony Corporation	1:5
DESCRIPTION 2	PART NO.	SHEET/PAGES
55(A80L) EXTERIOR VIEW		4 / 7

WITHOUT STAND

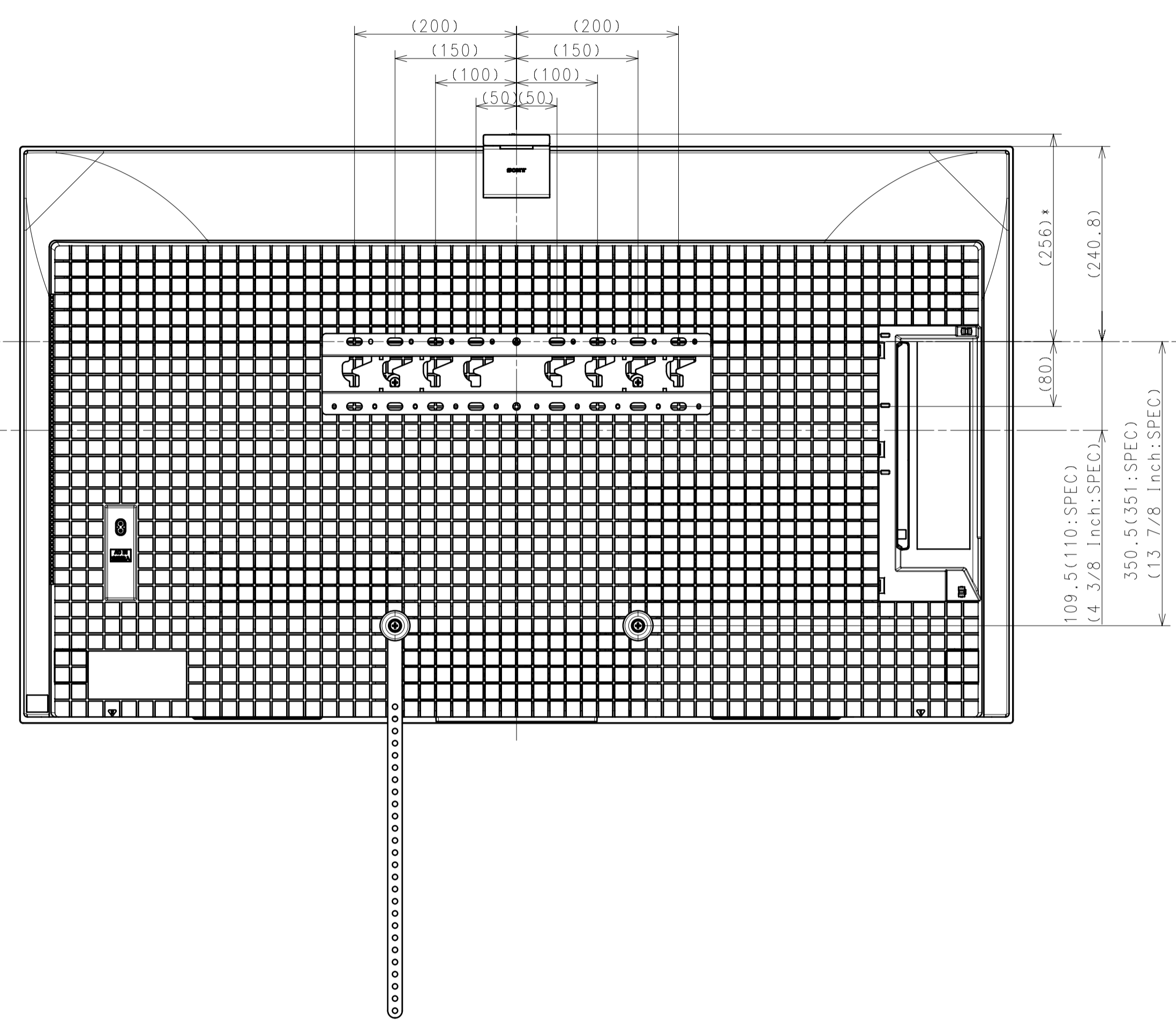


DESCRIPTION	LEGAL OWNER	SCALE
55(A80L) EXTERIOR VIEW	Sony Corporation	1:5
55(A80L) EXTERIOR VIEW	PART NO.	SHEET/PAGES
		5 / 7

SU-WL450

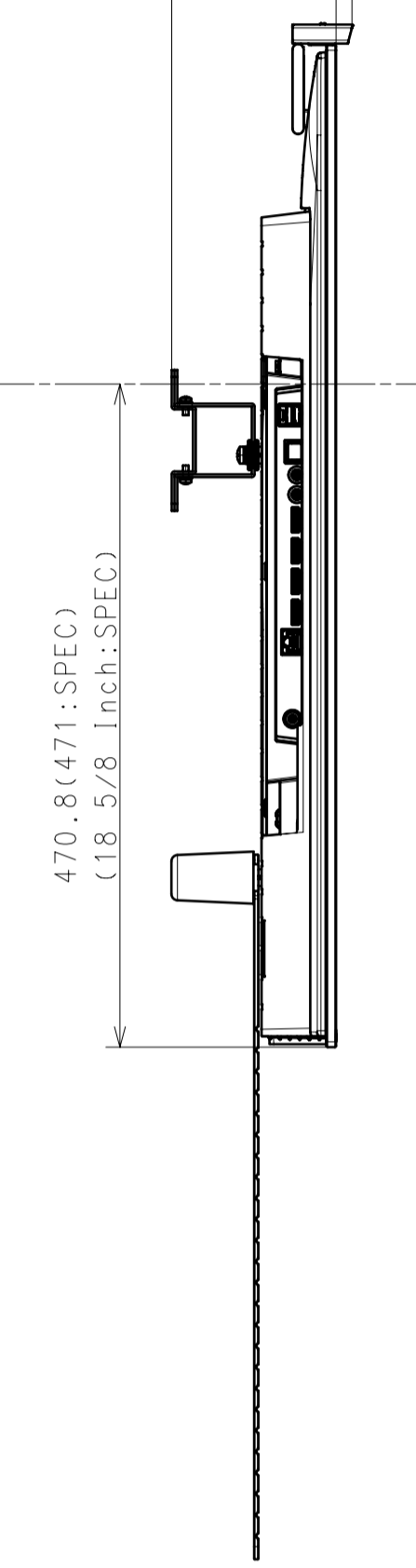
STANDARD

SLIM



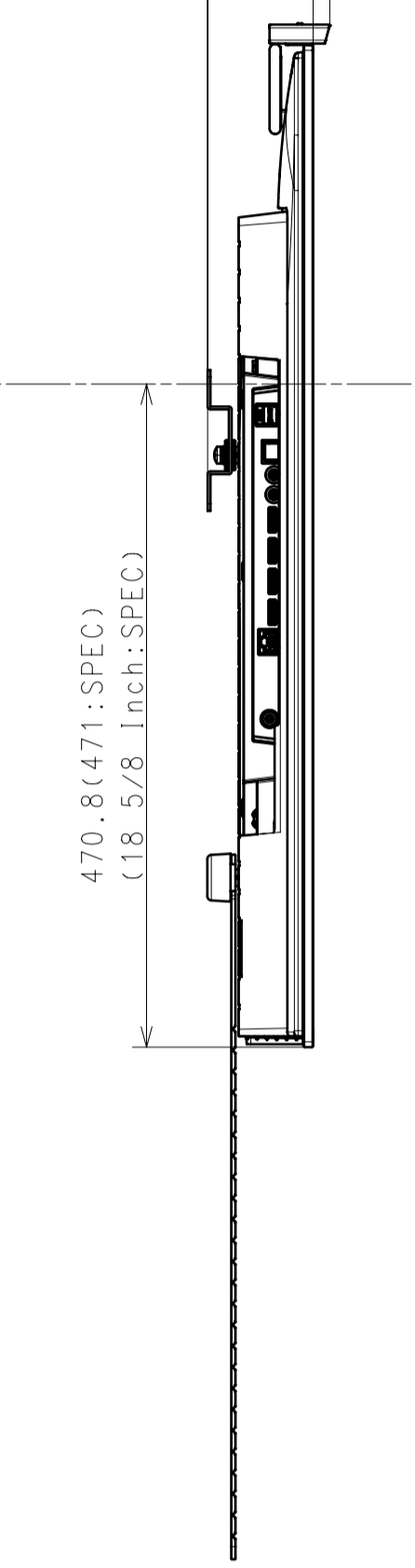
128.1(129:SPEC)*
 (5.1/8 Inch:SPEC)*

116.8(117:SPEC)
 (4.5/8 Inch:SPEC)



86.8(87:SPEC)*
 (3.1/2 Inch:SPEC)*

75(75:SPEC)
 (3 Inch:SPEC)

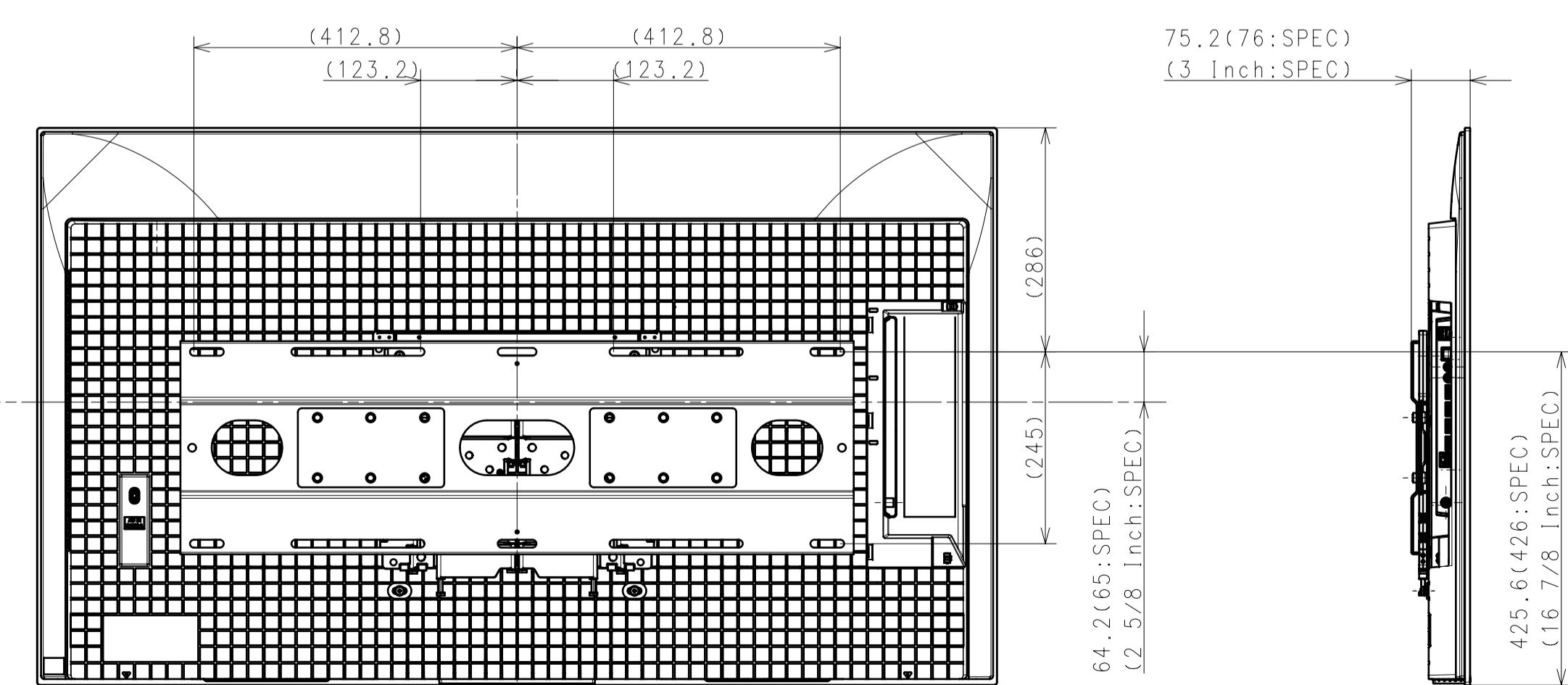
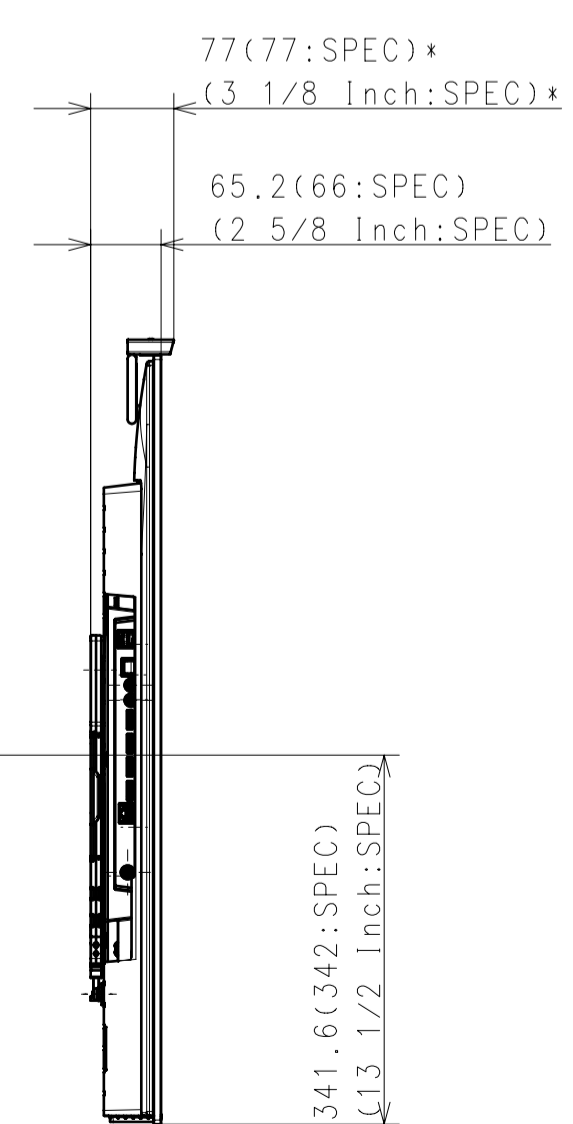
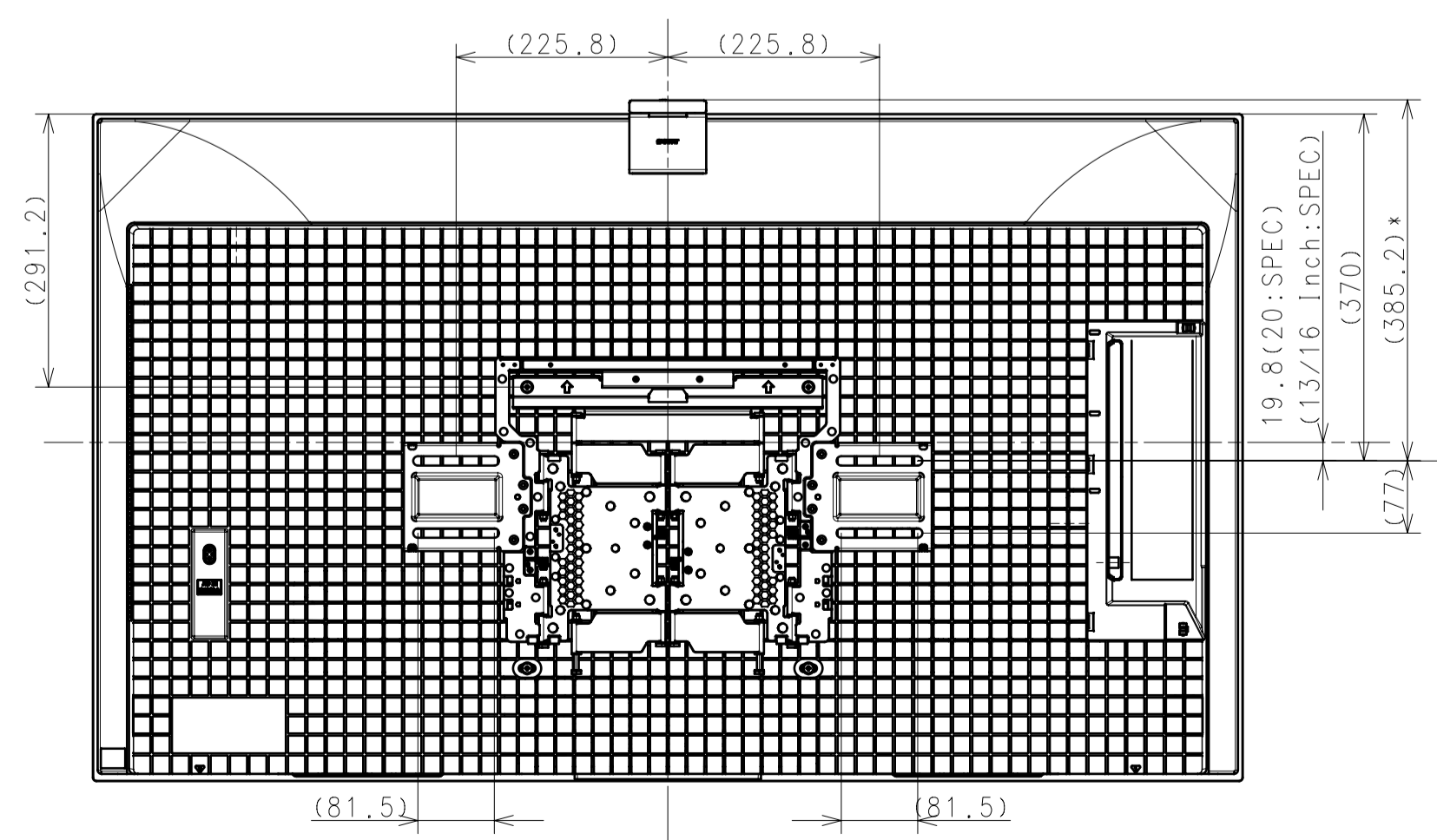
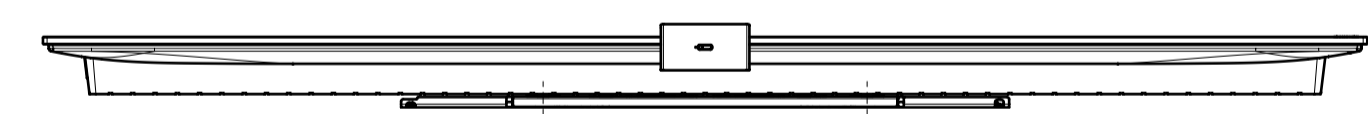
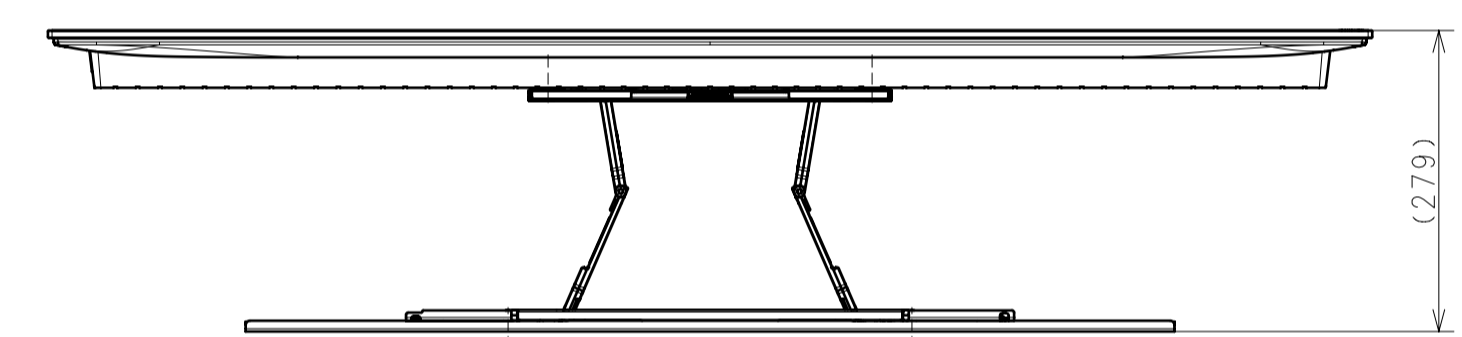
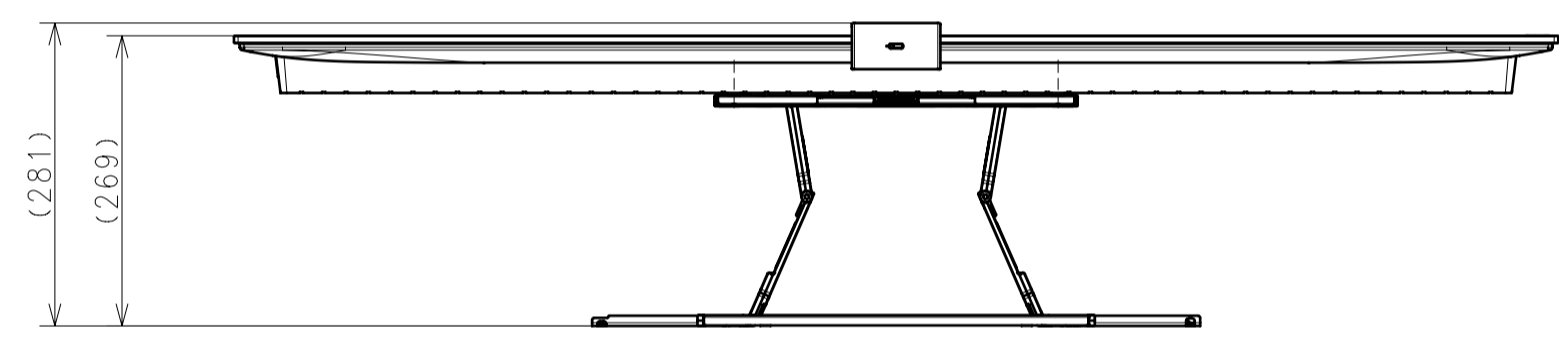
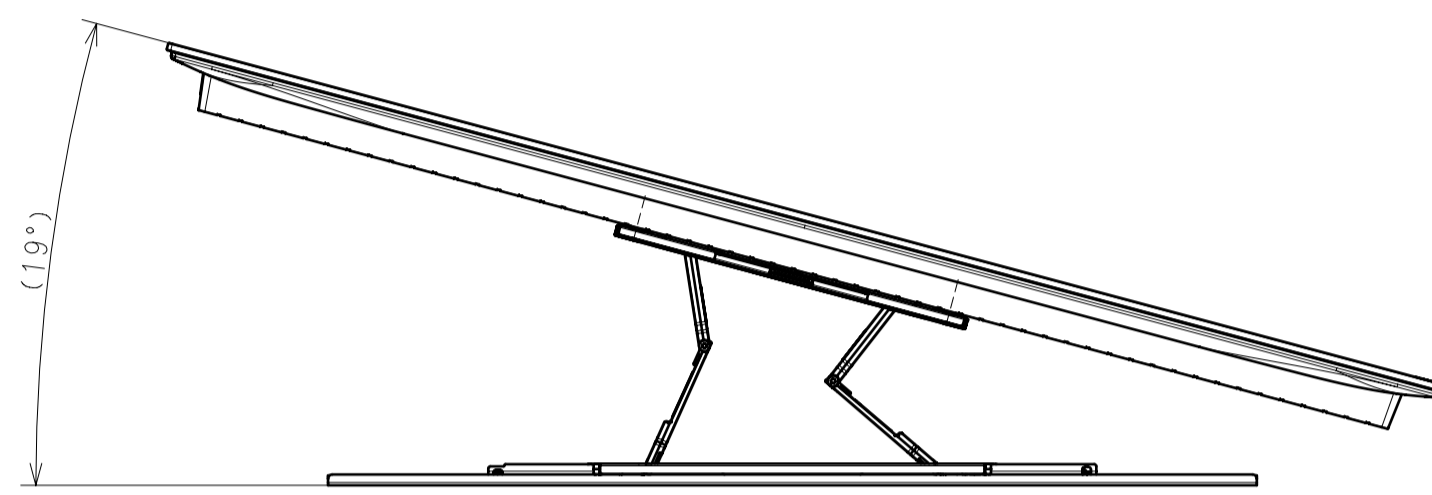
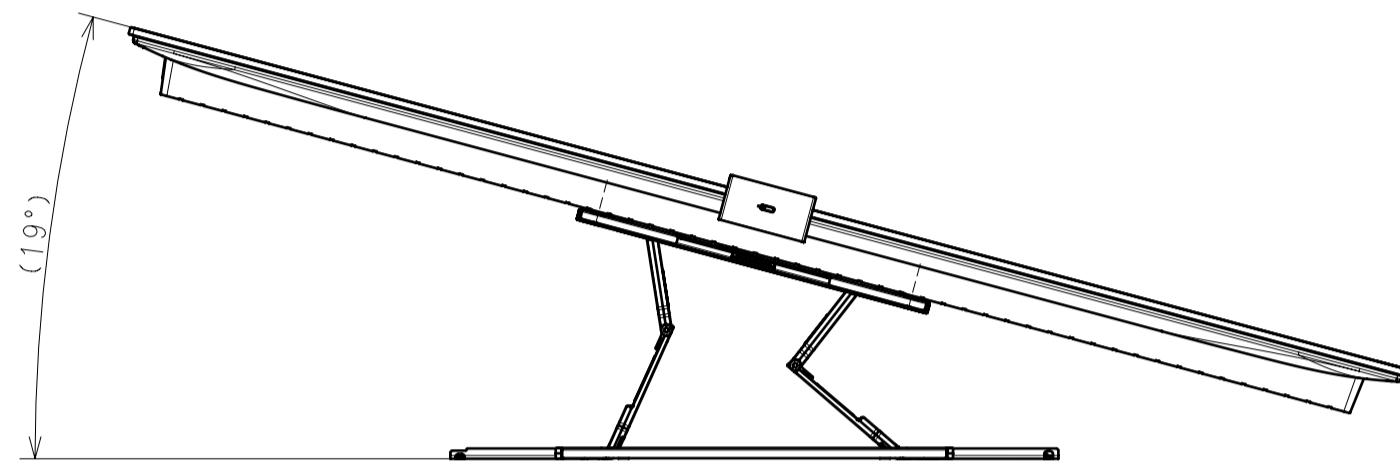
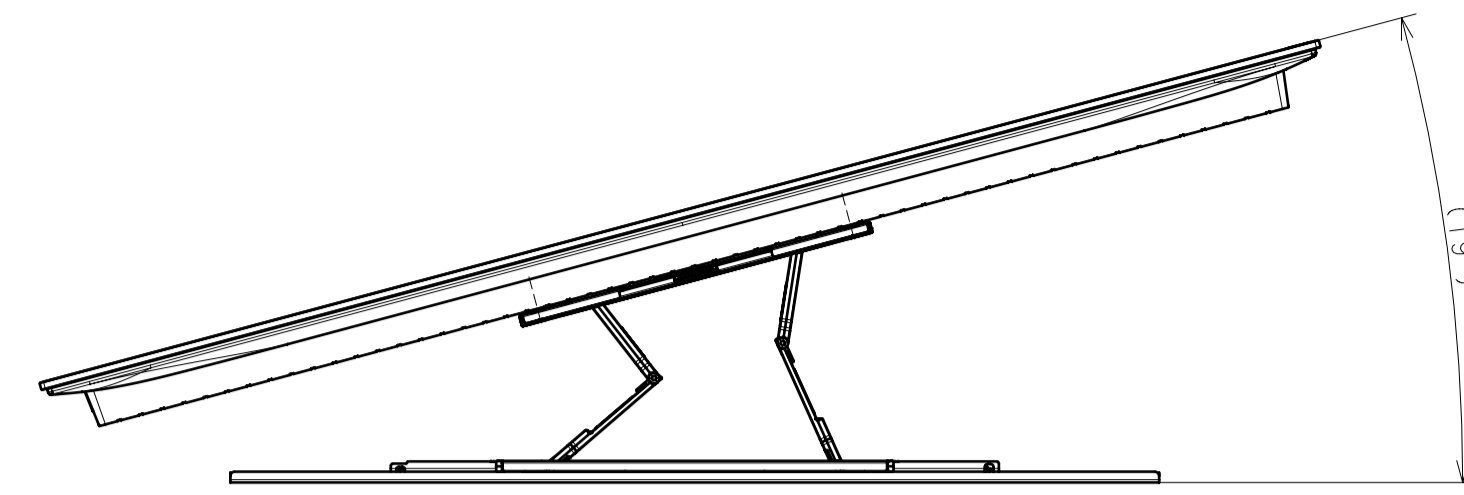
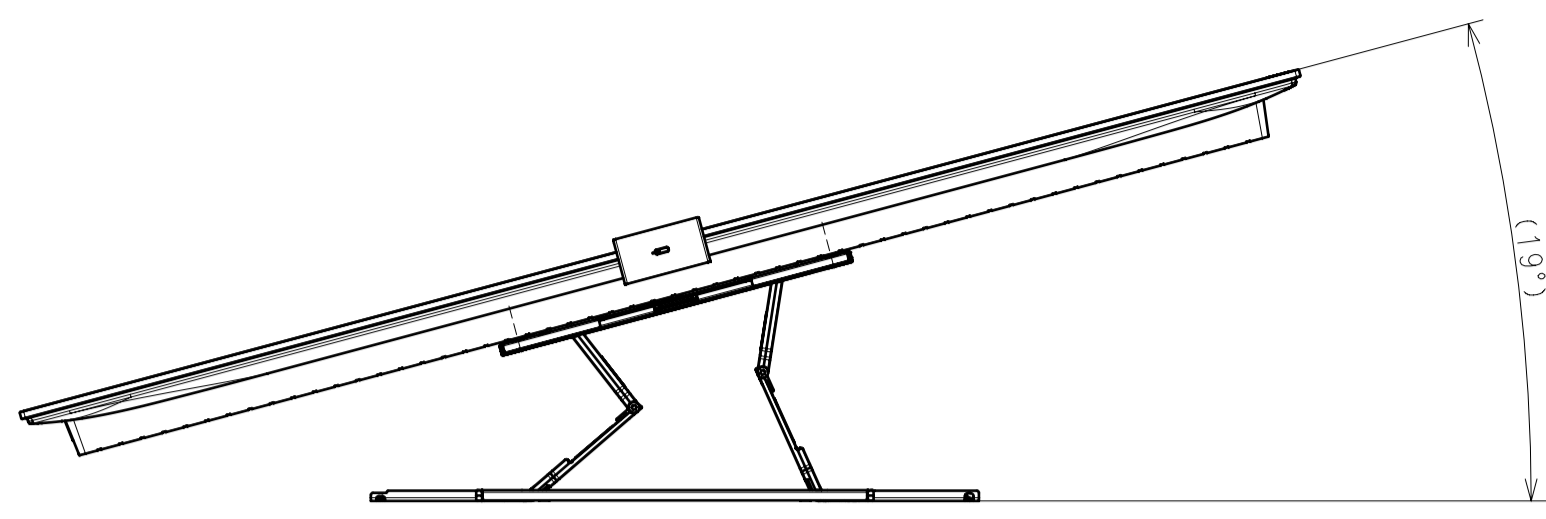


SONY STANDARD

DESCRIPTION 1	LEGAL OWNER	SCALE
55(A80L) EXTERIOR VIEW	Sony Corporation	1:5
DESCRIPTION 2	PART NO.	SHEET/PAGES
55(A80L) EXTERIOR VIEW		6/7

SU-WL850

SU-WL855



DESCRIPTION 1	55(A80L) EXTERIOR VIEW	LEGAL OWNER	Sony Corporation	SCALE	1:7
DESCRIPTION 2	55(A80L) EXTERIOR VIEW	PART NO.		SHEET/PAGES	7 / 7