



USER *Donner* **MANUAL**

INSTALLATION INSTRUCTION **DED-500/DED-500P**

Thank You for Choosing DONNER!

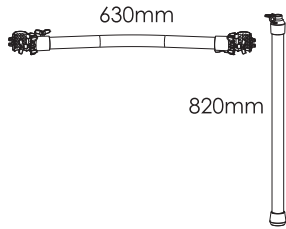
Please Read This Guide Carefully Before Use.

- ENGLISH -

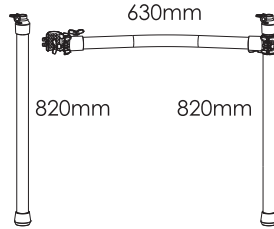
CONTENTS

1. ASSEMBLE THE STAND	1
2. ASSEMBLE THE PAD	2
3. A-ATTACH THE CYMBALS	3
3. B-INSTALL THE HI-HAT STAND	4
4. ATTACH THE SOUND MODULE	5
5. ATTACH THE KICK PEDAL	6
6. POWER CONNECTION AND WIRING	7
7. PERFORMANCE PREPARATION	8

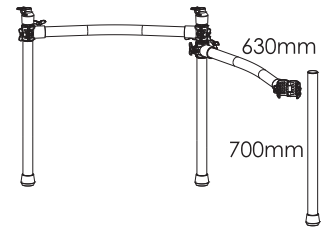
1. ASSEMBLE THE STAND



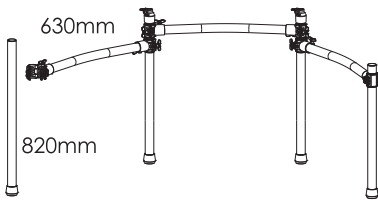
- 1 Middle bend + one side 820mm straight pipe



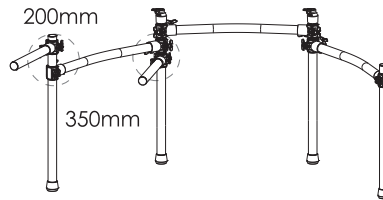
- 2 Install the other 820mm straight pipe



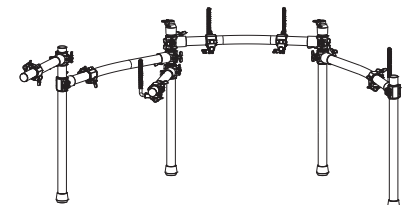
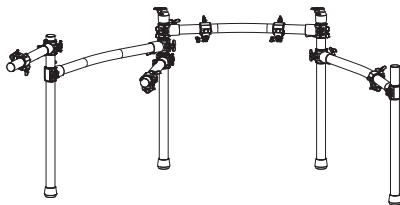
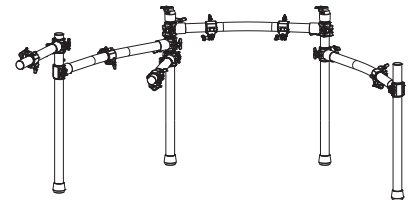
- 3 630mm bend pipe + 700mm straight pipe on the right

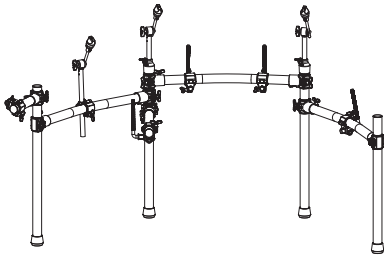


- 4 630mm bend pipe + 820mm straight pipe on the left

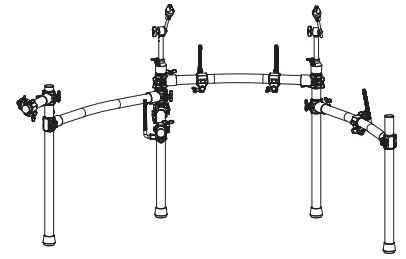


- 5 Install 350mm straight pipe and 200mm straight pipe

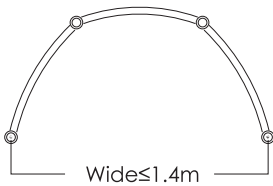




8 A-Apply to 3 cymbals

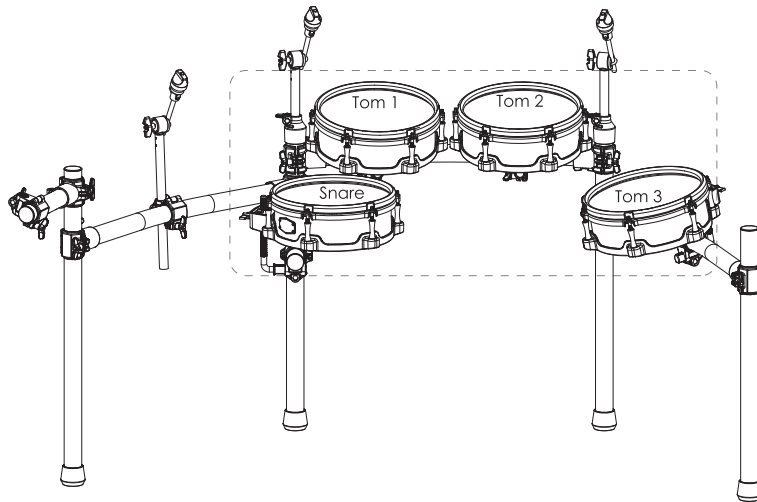


8 B-3 cymbals and Hi-Hat



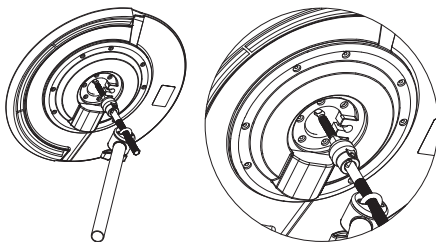
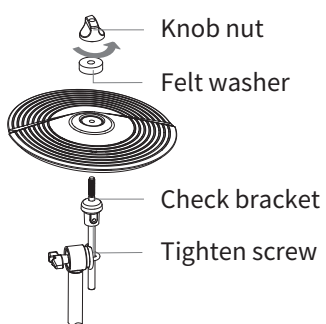
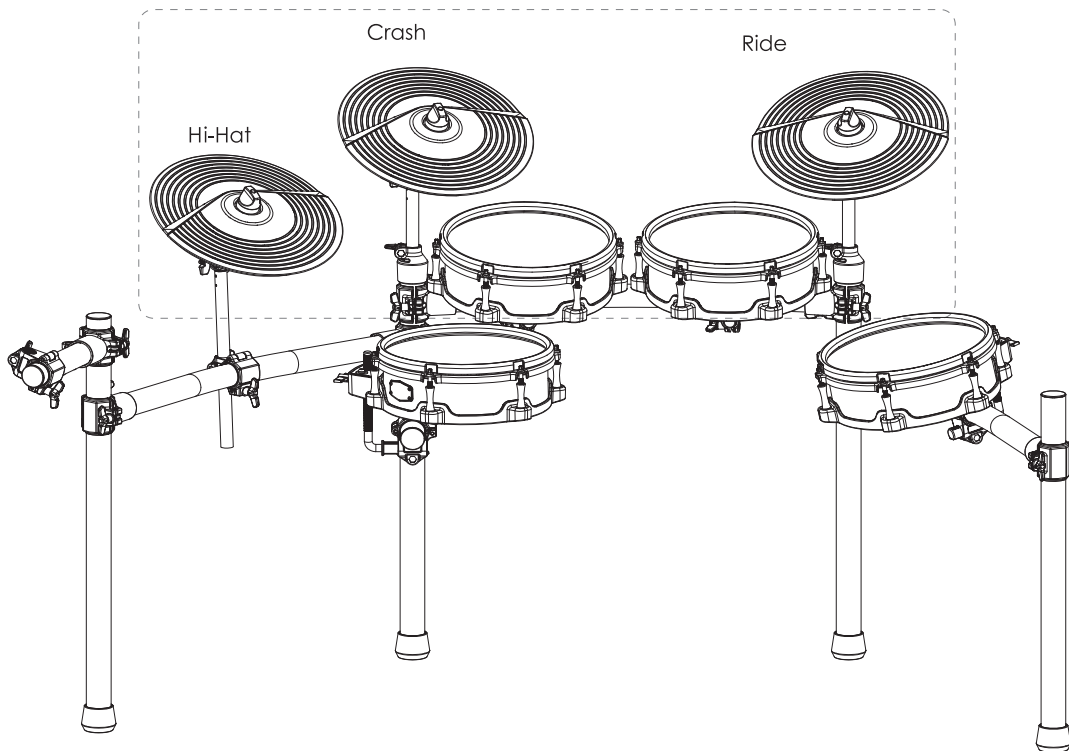
- Expand the stand according to the figure.
- Assemble the stand and pad in turn according to above figure.

2. ASSEMBLE THE PAD

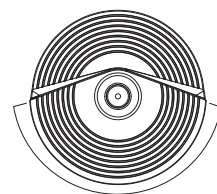


- Insert pad mount and tighten the wing nut

3. A-ATTACH THE CYMBALS

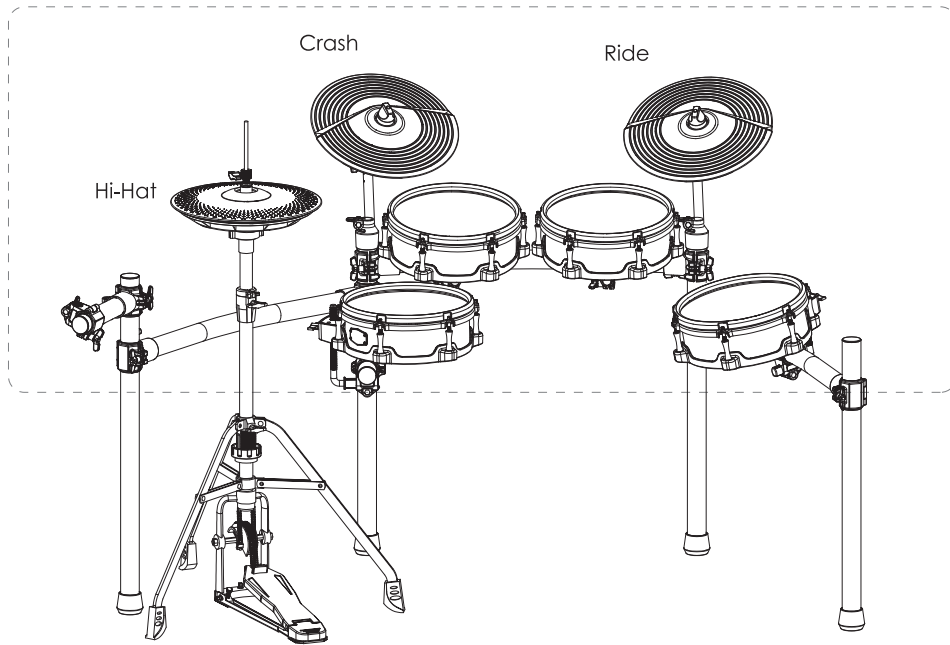


- Insert cymbal and align it with indentation. Adjust knob nut to fix it.

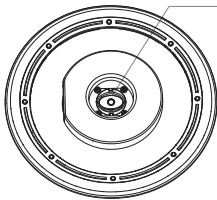


Sensing range of cymbal

3. B-INSTALL THE HI-HAT STAND



1 The screw should be the same side of the hole

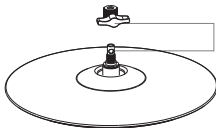


2

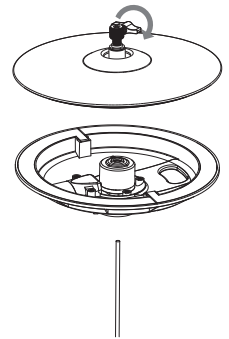


3

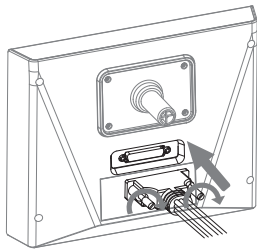
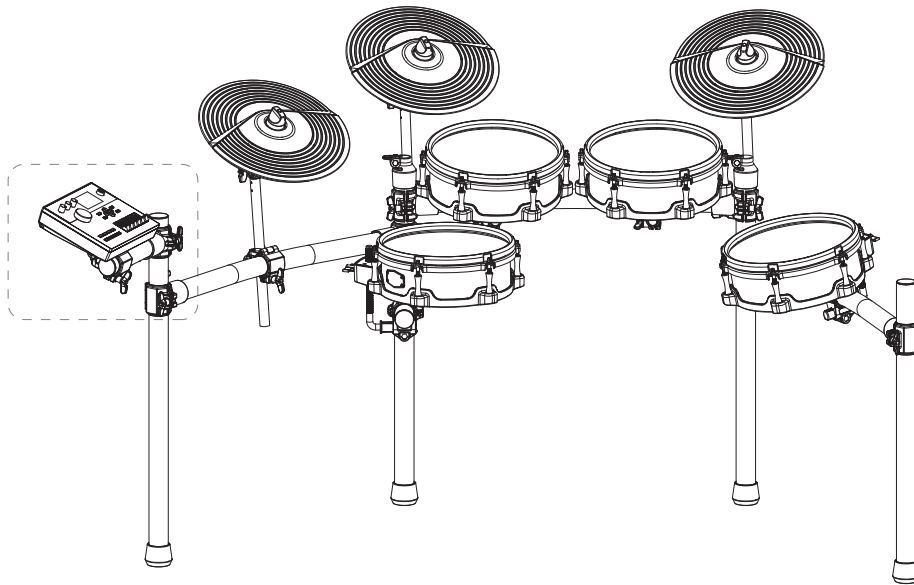
The screw should be the same side of the hole



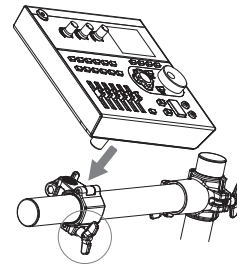
4



4. ATTACH THE SOUND MODULE

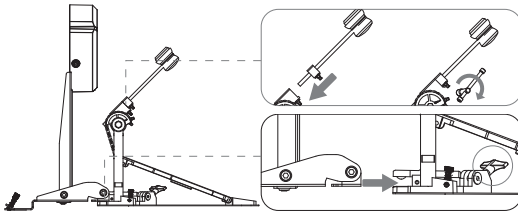
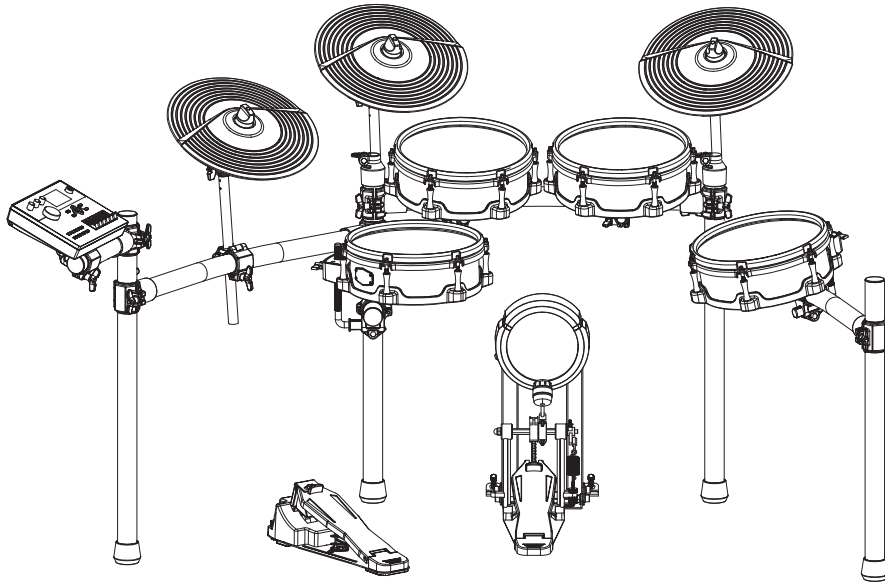


1 Connect audio cable and fix it.

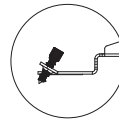


2 Insert sound module and adjust wing knob to fix it.

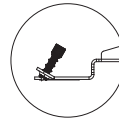
5. ATTACH THE KICK PEDAL



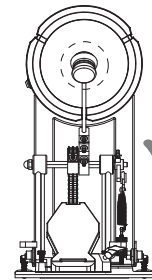
- Open the kick drum stand entirely and lock the screw at sides
- Install the beater into the holder securely by fixing the screw
- Install the kick pedal securely



On the blanket

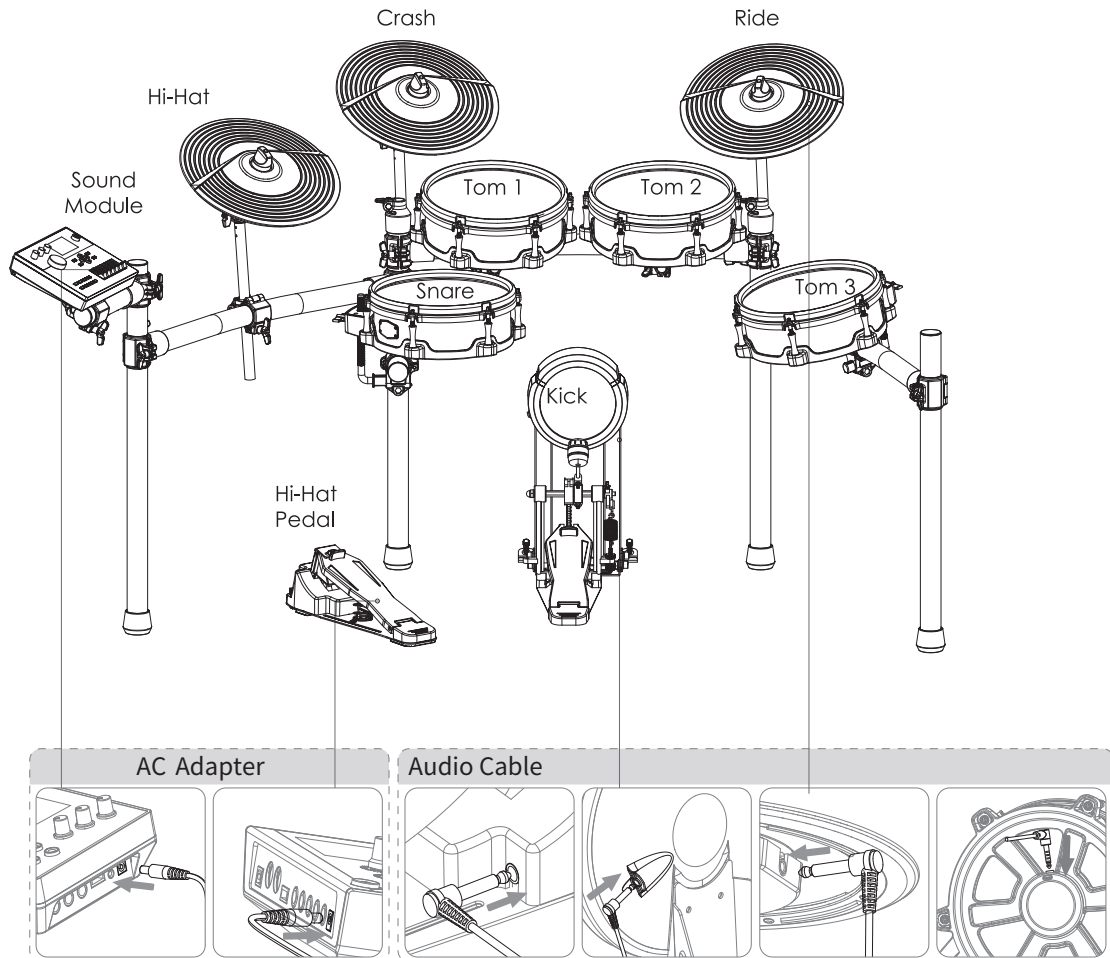


On the floor



Position beater at the center of kick drum

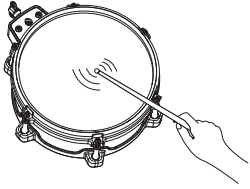
6. POWER CONNECTION AND WIRING



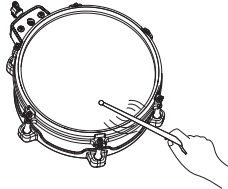
- Connect the jacks as shown in the figure.

7. PERFORMANCE PREPARATION

Pads: (Snare, Tom 1/2/3)

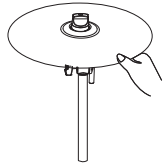


Head shot

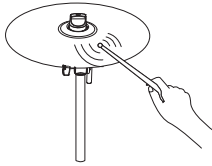


Rim shot

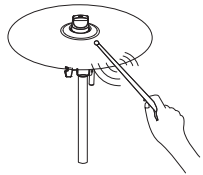
Cymbals: (Hi-Hat, Crash, Ride)



Edge sensor

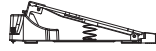


Bow shot



Edge shot

Pedal



Open Hi-Hat

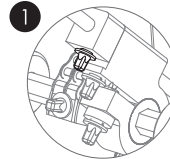
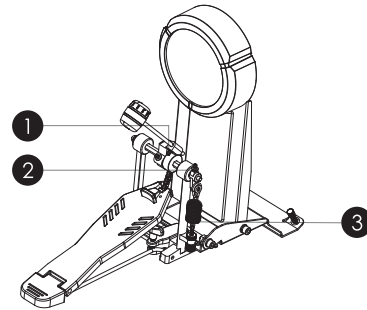


Half-open Hi-Hat

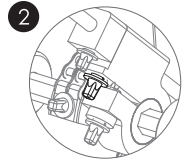


Closed Hi-Hat

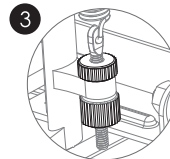
Adjust the beater



Adjust the center of gravity of beater



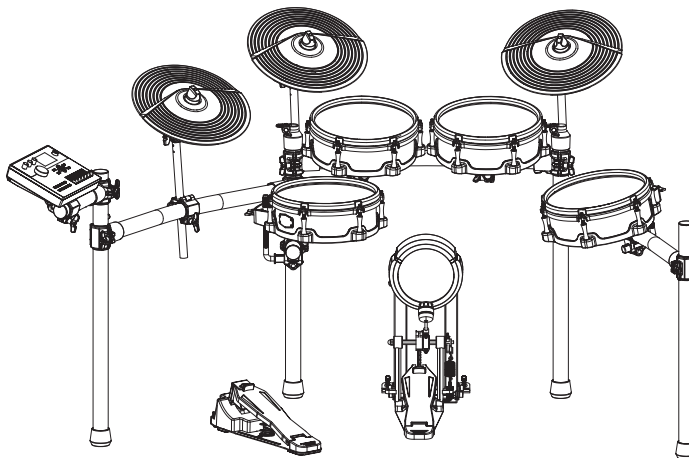
Adjust the gradient of beater



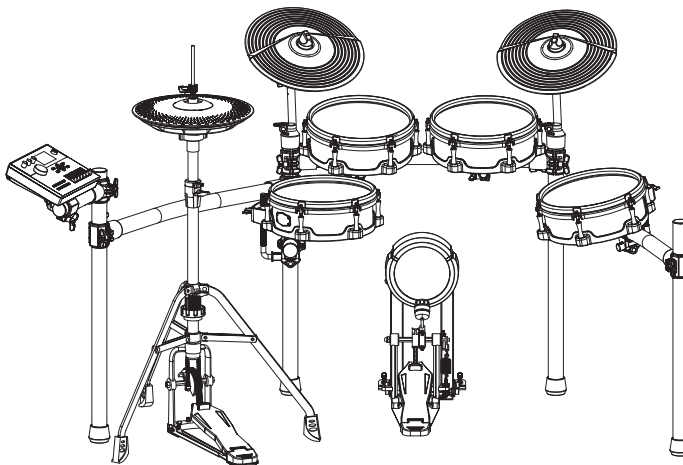
Adjust the tightness of spring

COMPLETE THE INSTALLATION ACCORDING TO THE INSTALLATION GUIDE OF THE MODEL YOU PURCHASED.

DED-500



DED-500P





Email: service@donnermusic.com

Website: www.donnermusic.com

Copyright © 2023 Donner LLC. All rights reserved.

Made in China

Rev_1.0



SERVICE LANGUAGE
ENGLISH

UNITED STATES

Tel: 001 571 3705977

UNITED KINGDOM

Tel: 0044 2080 895 663

CANADA

Tel: 001 613 4168166

AUSTRALIA

Tel: 0061 384004871

Get in touch with our customer service at local time (hotline hours are listed on the Donner official website)



MANUFACTURER: GUANGZHOU RANTION TECHNOLOGY CO., LTD.

ADDRESS: Room 7002 and 7003, 7th Floor, Digital Entertainment Industrial Park, Greater Bay Area, No. 28 Huangpu Park West Road, Huangpu District, Guangzhou, China.

UK REP Information for UK representatives

Name: TANMET INT'L BUSINESS LTD

Address: 9 Pantygraigwen Road, Pontypridd, Mid
Glamorgan, CF37 2RR, UK

E-mail: tanmetbiz@outlook.com

EC REP Information for EU representatives

Name: Bright star consulting e.K.

Address: Humboldtstr.5, 31812 Bad Pyrmont Germany
E-mail: utaundnico@hotmail.com