

Breathe Cleaner Air.



Manufactured by OXION® Home Comfort®
All rights reserved. Los Angeles, California U.S.A.



Hepa Air Purification System
QUICK-START USER MANUAL

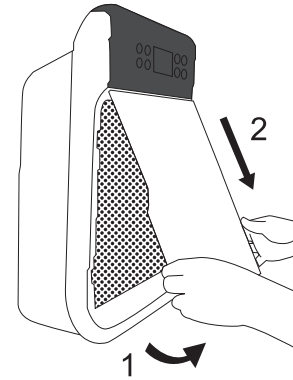


CONTENTS

INSTALLATION QUICK START.....	1-2
.....	2
PURIFIER UNIT OVERVIEW.....	3
DISPLAY FUNCTIONS.....	4
.....	4-5
CARE & SAFETY PRECAUTIONS.....	6
.....	7
TROUBLESHOOTING.....	8
TECHNICAL INFORMATION.....	9

INSTALLATION QUICK START

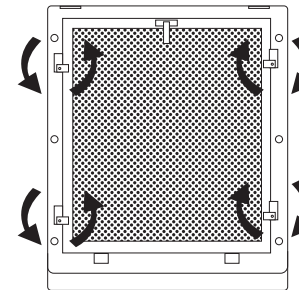
1



OPEN THE UNIT

To open the panel cover, place your fingers at the lower edge of the panel cover then (1) pull gently outward. (2) Lower the panel by pulling down.

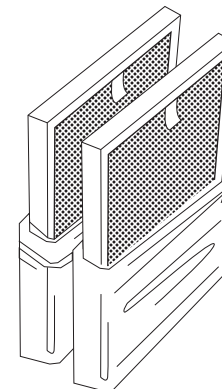
2



UNLOCK THE FILTERS

Locate the four turn buckles at the side edges of the inner unit compartment and turn them all outward to unlock both filters 1 and 2 from the unit.

3



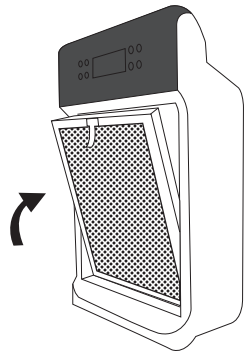
REMOVE PLASTIC COVERS

Remove filters 1 and 2 from the unit and uncover all plastic wrap and safety labels before use.

IMPORTANT:

Skipping this step will prevent the purifier from working properly and may result in damage to machine.

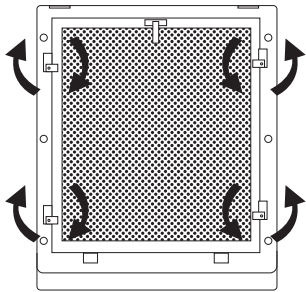
4



LOADING THE FILTERS BACK INTO UNIT

Once all safety packaging has been removed from each filter, place filter 1 and 2 back into their slots. Insert filter 2 first then filter 1 with pull tabs facing outward.

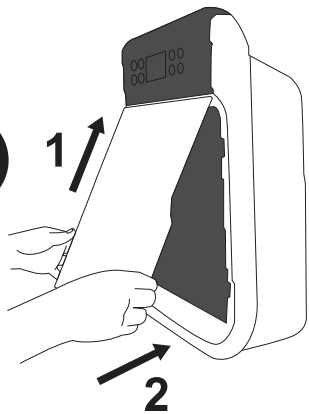
5



LOCK FILTERS IN PLACE

Once both filters are placed back into position, turn each buckle inward to lock the filters in place.

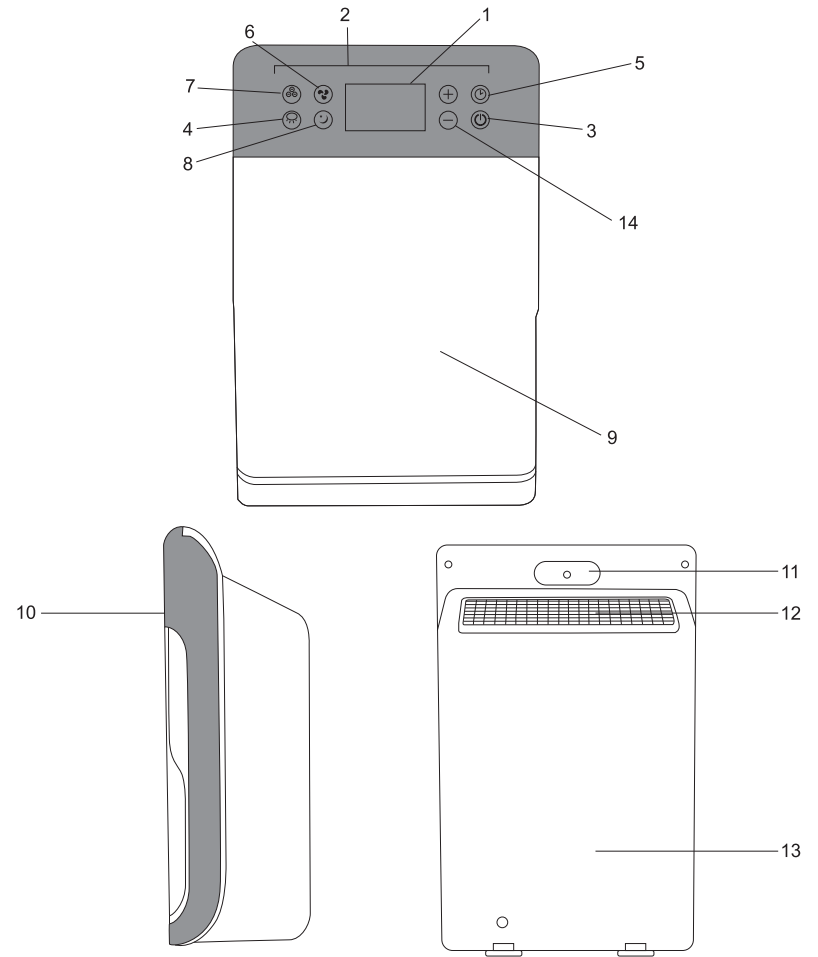
6



CLOSE THE PANEL COVER

(1) To close the front cover, locate the three notches at the top of the panel cover and align them with the corresponding slots inside the top edge of the unit. (2) Align all three slots then gently push upward. While in position, lower the bottom of the face panel towards the base of the unit. You will hear a “catch” sound signifying that the magnetic closure is in place.

PURIFIER UNIT OVERVIEW

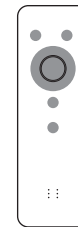
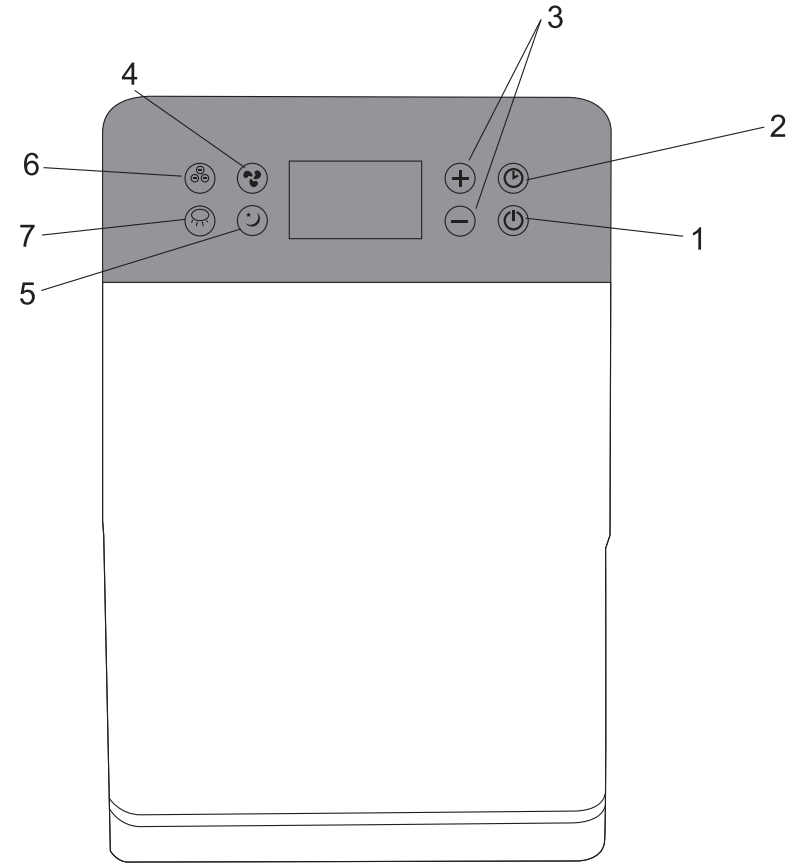


1	Digital Display	7	Anion Mode	13	Rear Case
2	Control Panel	8	Sleep Mode	14	UP/DOWN Buttons
3	On/Off Button	9	Front Plate		
4	Sterilize Mode	10	Middle Case		
5	Timer Control	11	Handle		
6	Fan Speed	12	Air Vent		

DISPLAY FUNCTIONS

Follow these steps to turn on and program the purifier.

	<p>1. POWER BUTTON Turns on the purifier unit in stand-by mode.</p>
	<p>2. TIMER Press the timer to program the purifier in 1 hour increments for up to 12 hours of continuous use.</p>
	<p>3. SET TIMER CONTROL UP (+) Increases the amount of run time.</p>
	<p>DOWN (-) Decreases the amount of run time.</p>
	<p>4. FAN SPEED Control the speed of the fan in three settings.</p>
	<p>5. SLEEP MODE Press this mode for silent operation.</p>
	<p>6. ANION GENERATOR This setting produces a static charge that will increase the rate of particle collection.</p>
	<p>6. UV SANITIZER This mode activates the UV germicidal lights that kill bacteria in the air.</p>



REMOTE CONTROL

Use the remote control to program your unit remotely. Purifier uses button cell batteries and should be removed when not in use.

SAFETY PRECAUTIONS

Please read and follow these safety recommendations before using this product and keep for future reference.



ELECTRICAL HAZARD

To avoid electric shock or fire by making sure the unit does not come into contact with water or liquids.



HOME VOLTAGE

Make sure the voltage of your unit is compatible with the power source of your home. A typical household voltage for appliances starts at 110-120v.

ADDITIONAL SAFETY PRECAUTIONS

1. If the power cord to your unit is damaged, discontinue use and consult an authorized technician for repairs. Continued use may result in fire from electrical overheating.
2. Do not block or obstruct the inlet/outlet vents of the machine.
3. This is not a toy. Prevent unsupervised children from playing or tampering with the machine or remote at all times to avoid damage or bodily injury.
4. Your purifier unit is not designed to be used as an air ventilator, dust cleaner, or kitchen exhaust hood.
5. For best results, position your purifier unit on a clean, dry, flat surface away from flammables and moisture.

6. Allow a space of 7-10 inches from all sides of the purifier from any surrounding objects to avoid jamming or clogging of objects.
7. Do not place any light or heavy objects on the purifier unit.
8. Do not place the purifier near an air conditioner. Doing so may cause moisture condensation which may damage the internal unit.
9. Avoid dropping, knocking or hitting the purifier unit near the vents or the front cover area.
10. Do not operate the purifier unit when using aerosols like cleaning agents or bug sprays as it may cause a fire. These items are extremely flammable.
11. Avoid operating the purifier near gas appliances, stoves, heating devices or in extreme room temperatures.
12. Be sure to unplug the purifier unit before cleaning and after each use.

RECOMMENDED CARE & MAINTENANCE

1. To extend the life of your filtration unit, expose your filters to direct sunlight in order to release any gasses, odors or bacteria remaining in the filter.
2. Never store or place the filters close to flames or heating units. Doing so will damage or disfigure the filters.

TROUBLESHOOTING

PROBLEM	SOLUTION
Digital display does not light up.	Check the unit and ensure the power supply, connection and unit is ON.
Vent airflow is noticeably weak or not exiting the unit in a steady even stream.	<p>The air filters may be dirty and may need to be cleaned or replaced.</p> <p>Remove the filters from unit and carefully shake off any dust build-up or residue before re-installing.</p> <p>Check the filters to ensure that no plastic packaging has been left</p>
The air quality has not improved since turning your unit on.	Check to make sure the filters are positioned in the correct sequence.
	Filters may be damaged or worn out. May be time to replace your filters.
When should I replace my purifier filters?	<p>FILTER 1: Life span 8-14mos. If the filter is extremely dirty and/or faded in color, it will not filter properly. At this point it may be time to replace.</p>
	<p>FILTER 2: Life span 8-14mos. Time to replace If the white HEPA filter changes color to a yellow, brown or black.</p>
	Your filters will last according to your home's environment.

PRODUCT DATA	
Voltage	AC 110V~120V (Refer to back of the machine)
Frequency	50/60 HZ
Power	40W