

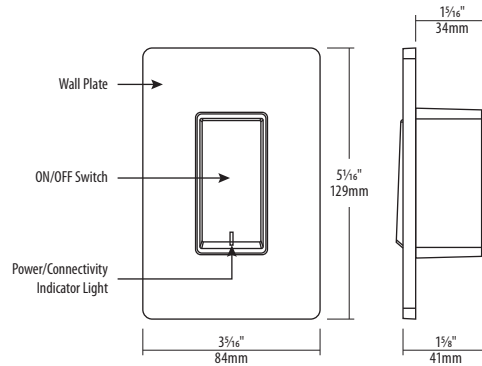
SPEX LIGHTING CO. Wi-Fi Smart 3-Way Switch



Features

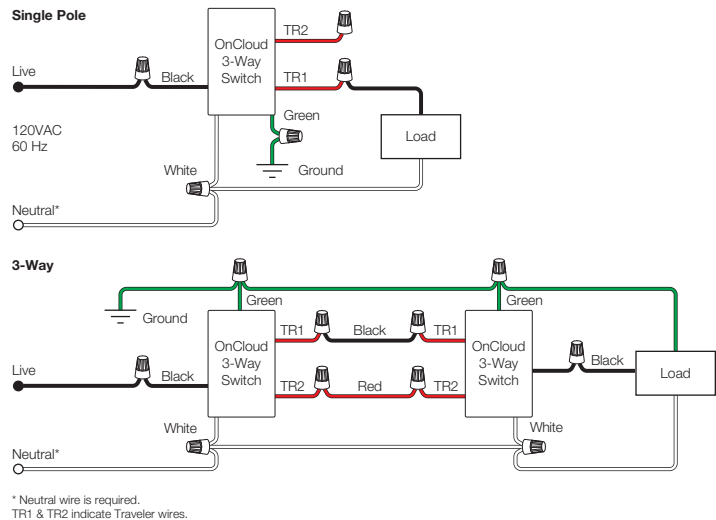
- Makes existing traditional fixtures smart.
- Compatible with 3-way and 4-way applications.
- One touch ON/OFF.
- Works with WiZ, Google Assistant, Alexa, Siri Shortcuts and IFTTT.
- Ideal for residential and light commercial spaces

Technical Drawings



TECHNICAL DATA	
Approved Location	Dry / Indoor
Input Voltage	120 Vac - 60 Hz
Certification	cETLus
Output Current	Incandescent load: 10A LED/CFL load: 5A
Power Consumption	OFF: 0.80W ON: 1.28W
Rated Power	1200W
Wireless Frequency	2.4GHz
Wireless Standard	IEEE 802.11 b/g
Warranty	3-Year

Wiring Diagrams



Notes: Due to our continued efforts to improve our products, product specifications are subject to change without notice.

A division of
Une division de

LITELINE CORPORATION
P 416-996-1856 | 1-866-730-7704
F 905-709-5255 | 1-888-738-9736

SPEXLIGHTING.COM

Copyright © 2021, Liteline Corporation. All rights reserved.
REV 1.18.21

Specifications

Body

Durable polycarbonate body and included snap-on wall plate.

Performance

The smart Wi-Fi 3-way switch provides a maximum output of 1200W.

Radio Frequency

Certified IEEE 802.11 b/g Wi-Fi 2.4GHz radio.

Easy Installation

The smart Wi-Fi 3-way switch installs into 3-way or 4-way switch applications (only one smart Wi-Fi switch can be installed in any 3-way application). Neutral wire required. NO HUB REQUIRED.

WiZ App

The smart Wi-Fi 3-way switch can be controlled via the WiZ App (works with iOS and Android) from anywhere. Voice control can also be achieved by integrating the app with most smart speakers. Works with Google Assistant, Siri, Alexa and IFTTT.

Operating Temperature

-5°C~45°C (23°F~113°F).

Environment

- Dry locations only.
- Suitable for indoor use only.

IMPORTANT NOTES:

- Wi-Fi network required (2.4GHz only).

Models

SLWZ-3WAY-01

Wi-Fi Smart 3-Way Switch, 2.4GHz.