



HARRIS AERIAL



**3600 Meter
Service Ceiling**

**Vibration-Dampened
Dovetail Mount**

**32,000 MAH
Power**

Carrier Hx8

The Harris Aerial Carrier Hx8 is a fully electric platform with exceptional stability, endurance, and payload capacity. The Hx8 is NDAA compliant and perfectly suited for DoD, Government, and Commercial sectors, integrating a wide range of payloads. The Hx8 also comes standard with Harris Aerial's custom Flight Controller Firmware allowing for smooth and continuous turns and flight lines throughout your mission enabling our customers to meet industry standards for data accuracy and reliability.

GCS Options

As our Carrier models cater to different needs so do our GCS solutions. We have added the convenience of a HereLink system to our offerings. Whether your needs dictate the use of a rugged GCS or something more portable we have you covered.



HSE



Harris C-GCS

**HOTAS Layout
12 Channel Functionality
Sunlight Viewable Display
2-AXIS Payload & Gimbal Controls
6-POS/3-POS/2-POS/Guarded/
Button/Rotary
NDAA Compliant**

HereLink Blue

**Handheld
Touchscreen
HD Real-Time Video
Low Latency
NDAA Compliant**

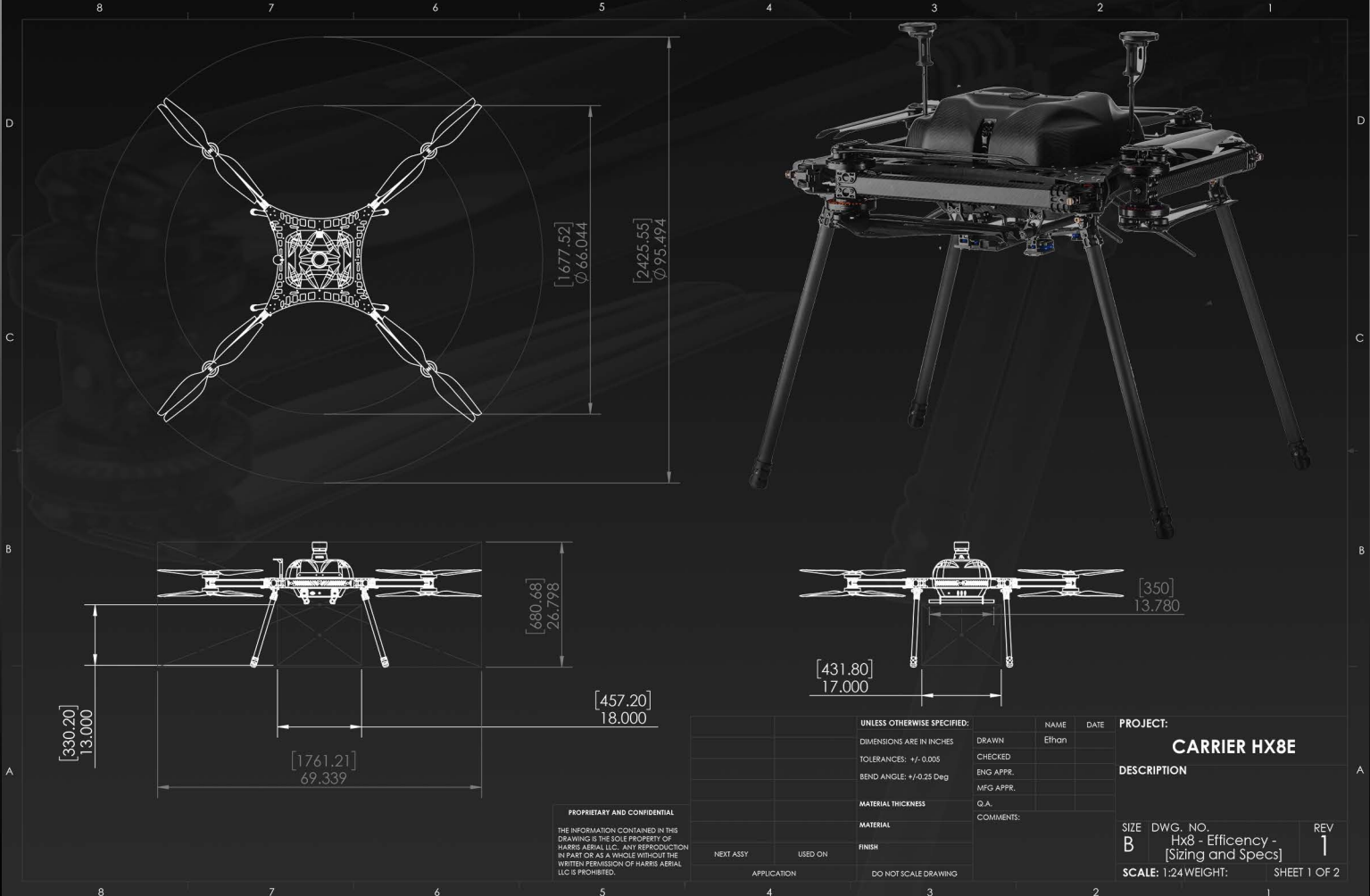
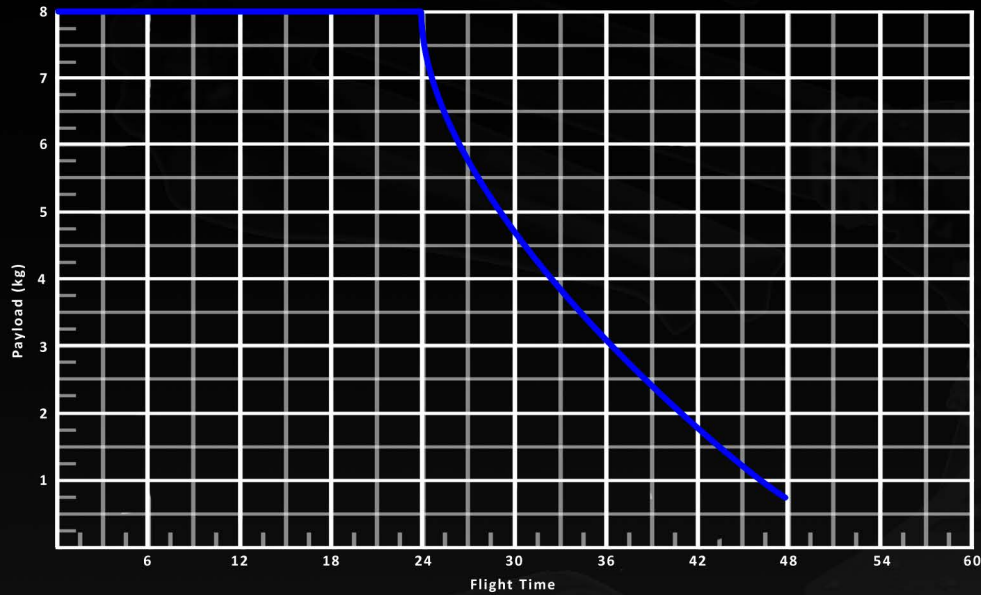
www.hse-uav.com

Contact us:
309-361-7656



HARRIS AERIAL

Carrier Hx8



PROPRIETARY AND CONFIDENTIAL
 THE INFORMATION CONTAINED IN THIS DRAWING IS THE SOLE PROPERTY OF HARRIS AERIAL LLC. ANY REPRODUCTION IN PART OR AS A WHOLE WITHOUT THE WRITTEN PERMISSION OF HARRIS AERIAL LLC IS PROHIBITED.

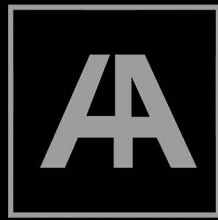
UNLESS OTHERWISE SPECIFIED:	NAME	DATE
DIMENSIONS ARE IN INCHES	ETHAN	
TOLERANCES: +/- 0.005		
BEND ANGLE: +/- 0.25 Deg		
MATERIAL THICKNESS		
MATERIAL		
FINISH		
APPLICATION		
DO NOT SCALE DRAWING		

PROJECT:		
CARRIER HX8E		
DESCRIPTION		
SIZE	DWG. NO.	REV
B	Hx8 - Efficiency - [Sizing and Specs]	1
SCALE: 1:24 WEIGHT:		SHEET 1 OF 2



www.hse-uav.com

Contact us:
309-361-7656



HARRIS AERIAL



Carrier Hx8

General

Maximum Takeoff Weight	55 lbs 25kg	Flight modes	- GPS LOITER - ALTITUDE HOLD - FULLY AUTONOMOUS
Empty Weight	21.5lb 9.8kg	Radio Frequencies	2.4 GHz (ISM) 902-928 MHz
Max payload	17.6 lb 8.0kg	System Architecture	Open Source
Flight Time	48 minutes (No Payload)	GPS	Dual RTK GNSS
Max Speed	33.6 mph 15 m/s	Payload Mounting	Dampened Modular Quick-Release
Max Vertical Speed	5.6 mph 2.5 m/s	Weather Rating	Light Rain
Max Lean Angle	30 degrees	Flight Safety Systems	-Radio Connectivity Monitoring - Battery Voltage & Amperage Monitoring
Dimensions (unfolded)	- Prop Tip to Tip: 2425.6mm - Height: 663.8mm - Landing Gear Base: Length: 803.5mm Width: 577.5mm	Dimensions (folded)	- Height: 273.1 - Length: 704.9mm - Width: 704.9mm

Powerplant and Batteries

Battery Type	12S1P Smart Lipo (2x Batteries)	Battery Capacity	16,000 mAh
Peak Battery Voltage	50.4V	Battery Life Cycle	250 Flights
Nominal Battery Voltage	44.4V	Battery Connector	AS150U-F (Anti-Spark)
Auxiliary Power	5.3V , 12V, 24V, 48V Power Ports	Safety Features	Battery Voltage & Amperage Monitoring

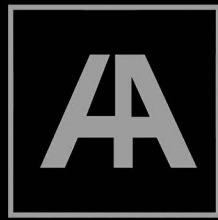
Operation and Environmental

Operation Temp	-20°C to 49°C -4°F to 120°F	Service Ceiling AMSL	12,000ft 3658m (Payload Dependent)
Max Wind Tolerance	25 mph 11 m/s	Service Ceiling AGL	400ft 122m (FAA limited)



www.hse-uav.com

Contact us:
309-361-7656



HARRIS AERIAL



Carrier Hx8

Motors and Propellers			
# Motors	8	Motor Configuration	X8 OCTA QUAD
Equivalent KV	KV100 Motors	Propeller Material	Carbon Fiber with Aluminum Hub
Optimal RPM	2,200-2,800 RPM	Propeller Dimensions	29.2in x 9.2in
Command and Control			
Harris C-GCS	<ul style="list-style-type: none">- 19in Dual HD Display- Hands-on Throttle-and-Stick (HOTAS)- Freq: 902-928 MHz- 12 Channel Functionality- NDAA Compliant	hereLink	<ul style="list-style-type: none">- Handheld Remote- 5.5in Display- Freq: 2.4 GHz (ISM)- 32 Channels Functionality- NDAA Compliant
Flight Controller			
Flight Controller	Cube Orange	Takeoff and Landing	Autonomous or manual control
Data Transmission Range	12.5mi 20.0km (Ideal Conditions)	Flight Tracking	ADS-B (Receiver)
Firmware	Custom ArduPilot	Safety Features	<ul style="list-style-type: none">- Triple Redundant IMU- Redundant Power Supply