



HARRIS AERIAL



-40+ Kg Payload Capacity

-Folds to 35% of operation size

-3600 Meter Service Ceiling

-Automated Payload Release

-DC 12S (49V) Power Output

-Customizable Accessory Power

Carrier H6 HL

Heavy Lift

The Harris Aerial Carrier H6 HL is a unique heavy lift platform with exceptional stability, endurance, and payload capacity. The H6 HL is NDAA compliant and perfectly suited for DoD, Government, and Commercial sectors, integrating a wide range of payloads utilized in a wide range of today's unmanned missions. The H6HL was designed in-house and machined at our manufacturing facility by our team of engineers who enable us to prototype, test, validate and bring to market enhancements at a pace unprecedented in the UAS industry.

GCS Options

As our Carrier models cater to different needs so do our GCS solutions.

We have added the convenience of a HereLink system to our offerings.

Whether your needs dictate the use of a rugged GCS or something more portable we have you covered.



Harris C-GCS

HOTAS Layout

12 Channel Functionality

Dual Sunlight Viewable Displays

2-AXIS Payload & Gimbal Controls

6-POS/3-POS/2-POS/Guarded/

Button/Rotary

NDAA Compliant

HereLink Blue

Handheld

Touchscreen

HD Real-Time Video

Low Latency

NDAA Compliant



www.hse-uav.com

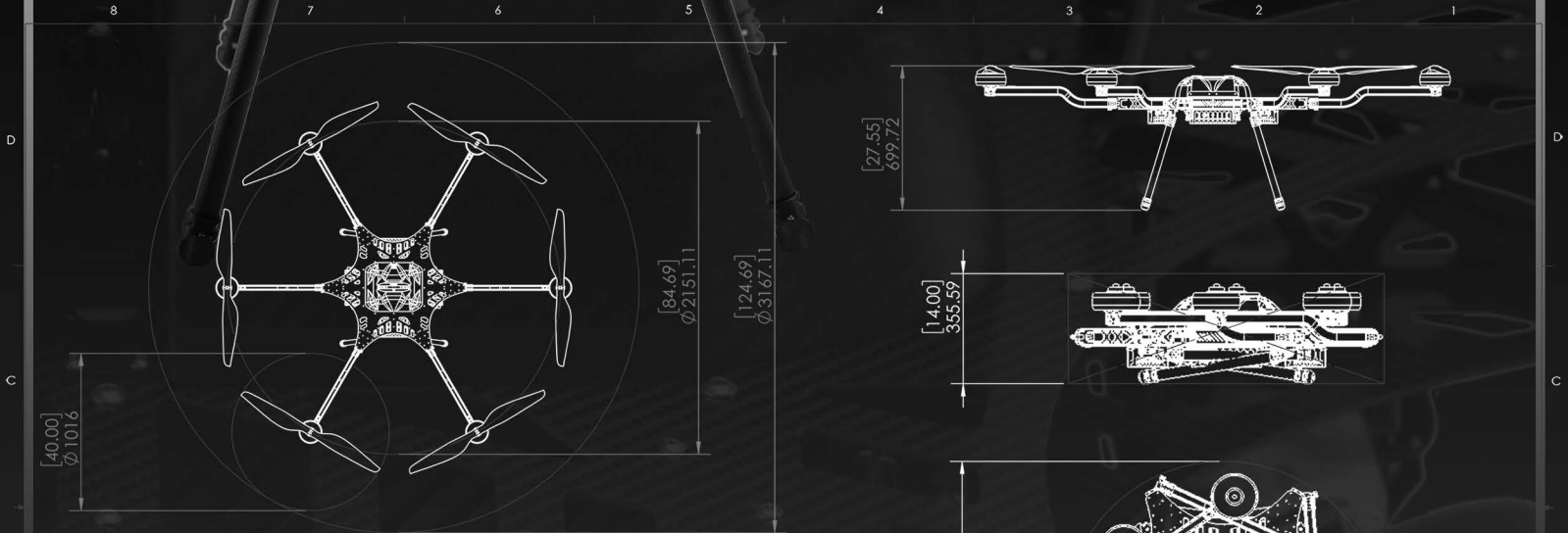
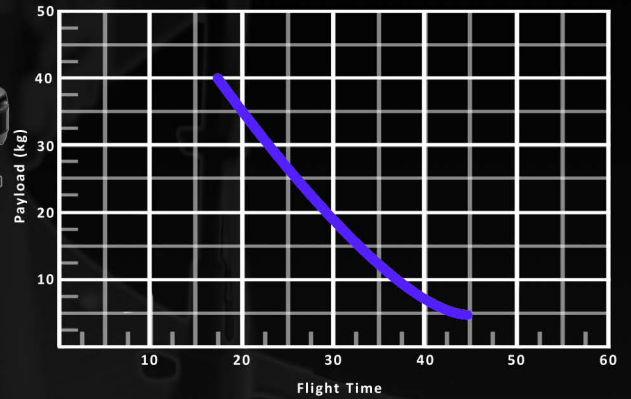
Contact us:
309-361-7656



HARRIS AERIAL

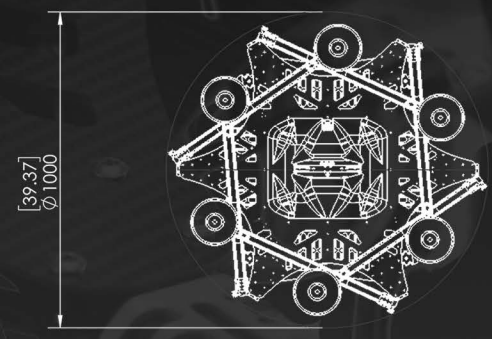
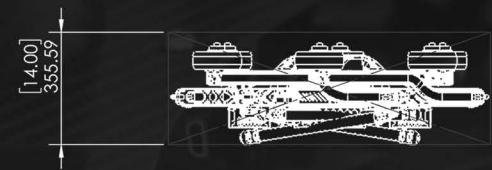
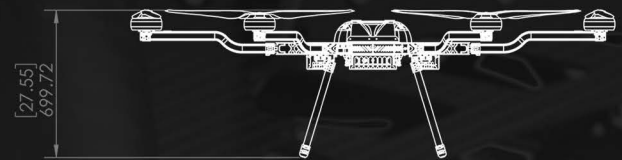
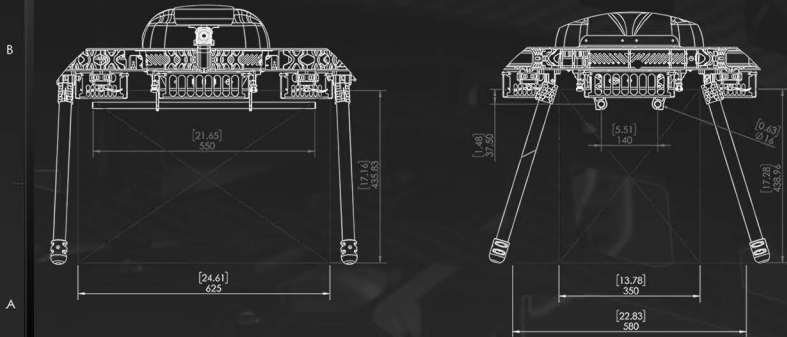
Carrier H6HL

Heavy Lift



SIDE FACING PAYLOAD DIMENSIONS

FRONT FACING PAYLOAD DIMENSIONS

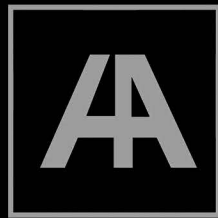


PROPRIETARY AND CONFIDENTIAL
 THE INFORMATION CONTAINED IN THIS DRAWING IS THE SOLE PROPERTY OF HARRIS AERIAL LLC. ANY REPRODUCTION IN PART OR AS A WHOLE WITHOUT THE WRITTEN PERMISSION OF HARRIS AERIAL LLC IS PROHIBITED.

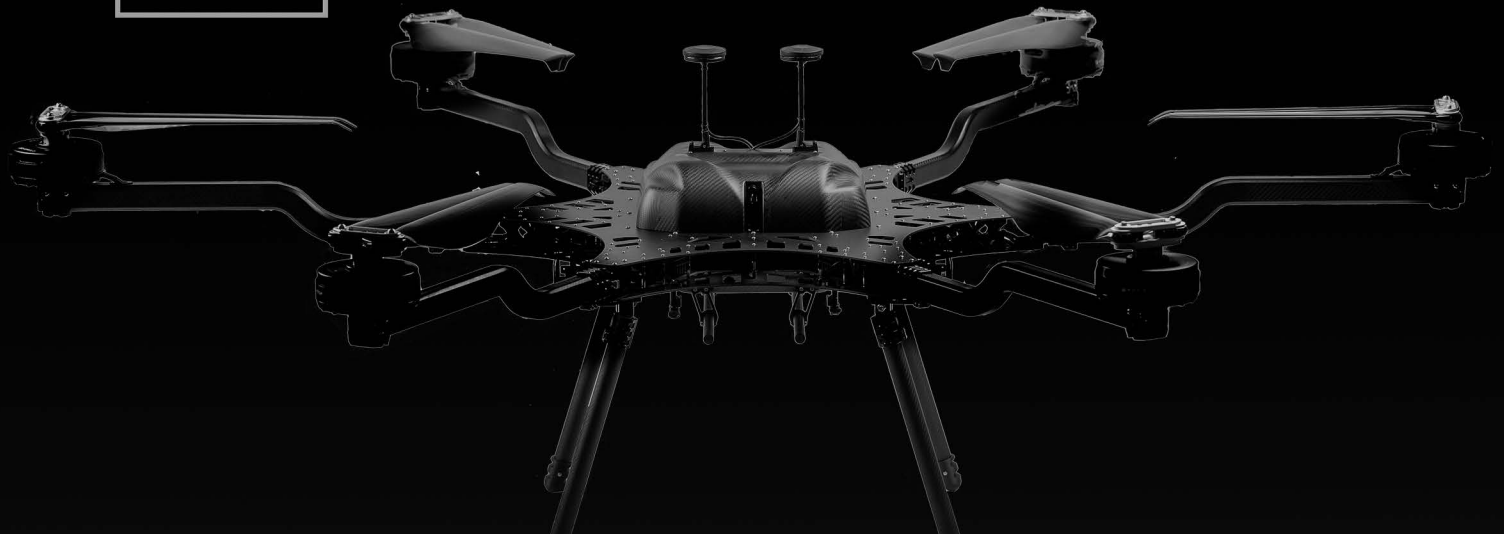
UNLESS OTHERWISE SPECIFIED:		NAME	DATE	PROJECT:
DIMENSIONS ARE IN INCHES		Ethan		H6HL
TOLERANCES: +/- 0.002		DRAWN		DESCRIPTION
MATERIAL THICKNESS		CHECKED		<i>Empty Payload Config.</i>
MATERIAL		ENG APPR.		SIZE DWG. NO.
FINISH		MFG APPR.		B Hx6 - HL - [Sizing & Specs]
NEXT ASSY		O.A.		SCALE: 1:24 WEIGHT:
USED ON		COMMENTS:		SHEET 4 OF 4
APPLICATION				REV 1
				DO NOT SCALE DRAWING
				Contact us:
				309-361-7656



www.hse-uav.com

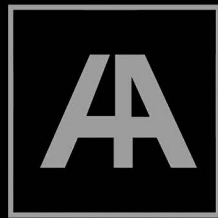


HARRIS AERIAL

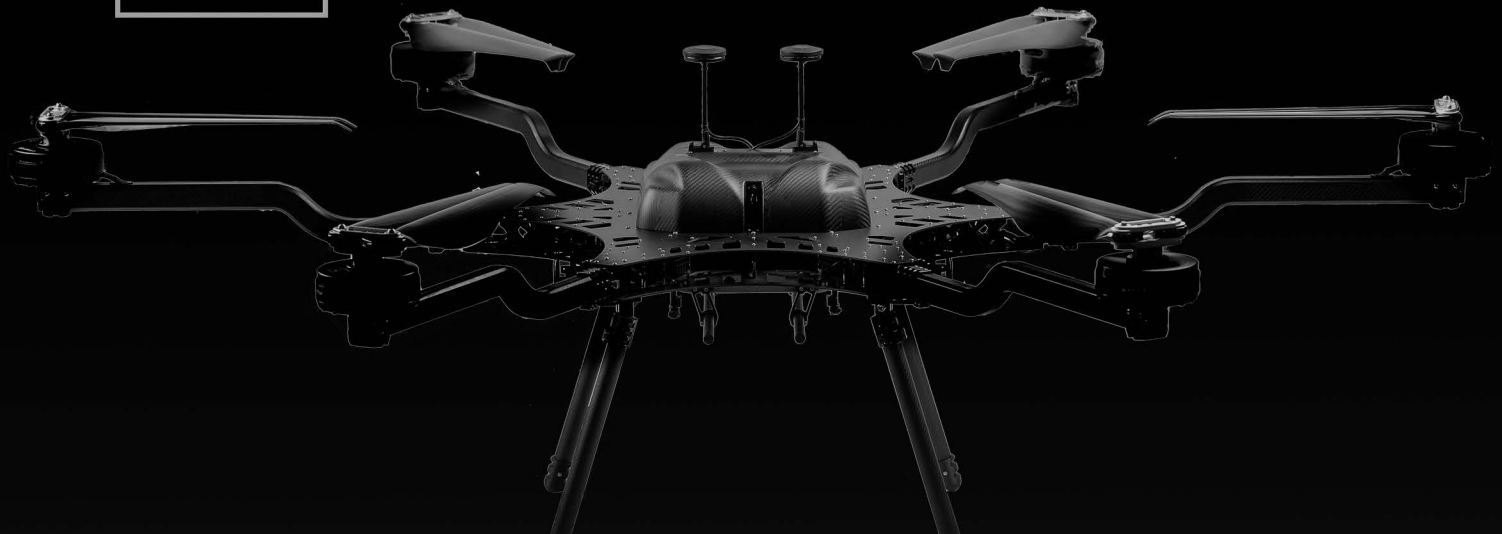


Carrier H6 HL

General			
Maximum Takeoff Weight	209.4 lbs 95.0kg	Flight modes	- GPS LOITER - ALTITUDE HOLD - FULLY AUTONOMOUS
Empty Weight	121.3 lb 55.0kg	Radio Frequencies	2.4 GHz (ISM) 902-928 MHz
Max payload	88.2 lb 40.0kg	System Architecture	Open Source
Flight Time	45 minutes (No Payload)	GPS	Dual RTK GNSS
Max Speed	33.6 mph 15.0 m/s	Payload Mounting	Dampened Modular Quick-Release
Max Vertical Speed	5.6 mph 2.5 m/s	Weather Rating	Light Rain
Max Lean Angle	30 degrees	Flight Safety Systems	-Radio Connectivity Monitoring - Battery Voltage & Amperage Monitoring
Dimensions (unfolded)	- Prop Tip to Tip: 3167.1mm - Landing Gear Base: Length: 640.5mm Width: 705.5mm - Height: 699.7mm	Dimensions (folded)	- Length: 1000.0mm - Width: 1000.0mm - Height: 355.6mm
Powerplant and Batteries			
Battery Type	6S1P Lipo (8x Batteries)	Battery Capacity	30,000 mAh
Peak Battery Voltage	50.4V	Battery Life Cycle	250 Flights
Nominal Battery Voltage	44.4V	Battery Connector	AS150U-F (Anti-Spark)
Auxiliary Power	5.3V , 12V, 24V, 48V Power Ports	Safety Features	Battery Voltage & Amperage Monitoring



HARRIS AERIAL



Carrier H6 HL

Operation and Environmental

Operation Temp	-20°C to 49°C -4°F to 120°F	Service Ceiling AMSL	12,000ft 3658m (Payload Dependent)
Max Wind Tolerance	25 mph 11 m/s	Service Ceiling AGL	400ft 122m (FAA limited)

Motors and Propellers

# Motors	6	Motor Configuration	HEXA X
Equivalent KV	KV100 Motors	Propeller Material	Carbon Fiber with Aluminum Hub
Optimal RPM	2,200-2,800 RPM	Propeller Dimensions	40.0in x 13.1in

Command and Control

Harris C-GCS	<ul style="list-style-type: none"> - 19in Dual HD Display - Hands-on Throttle-and-Stick (HOTAS) - Freq: 902-928 MHz - 12 Channel Functionality - NDAA Compliant 	hereLink	<ul style="list-style-type: none"> - Handheld Remote - 5.5in Display - Freq: 2.4 GHz (ISM) - 32 Channels Functionality - NDAA Compliant
---------------------	--	-----------------	--

Flight Controller

Flight Controller	Cube Orange	Takeoff and Landing	Autonomous or manual control
Data Transmission Range	12.5mi 20.0km (Ideal Conditions)	Flight Tracking	ADS-B (Receiver)
Firmware	Custom ArduPilot	Safety Features	<ul style="list-style-type: none"> - Triple Redundant IMU - Redundant Power Supply

