

Read this manual before operation

Installation & Operation Manual

GAS STOCK POT

HS-1/HS-1D



If you smell gas, follow the instructions provided by the gas supplier.

Do not try to light the burner; do not use a telephone within close proximity.

FOR YOUR SAFETY

Do not store or use gasoline or other flammable vapors or liquids in the vicinity of this or any other equipment.

⚠ WARNING Improper installation, adjustment, alteration, service or maintenance can cause property damage, injury or death. Read this installation, operating and maintenance instructions thoroughly before installing or servicing this equipment.

Dear Customer & User,

Thank you for purchasing our appliance. Before use and operation, please read and familiarize yourself with the following operating and safety instructions. **SAVE THESE INSTRUCTIONS FOR FUTURE REFERENCE.** Save the original box and packaging. Use this packaging to ship the equipment if repairs are needed.

This manual contains important information, please read the manual thoroughly prior to equipment set-up, operation and maintenance. Failure to comply with regular maintenance guidelines outlined in this manual may void the warranty.

The user's manual should be always available for operation. So make sure this manual book is properly placed. We have the full authority to reserve the further technical changes of the device, in the scope of further performance improvement characteristic development.

WARNINGS

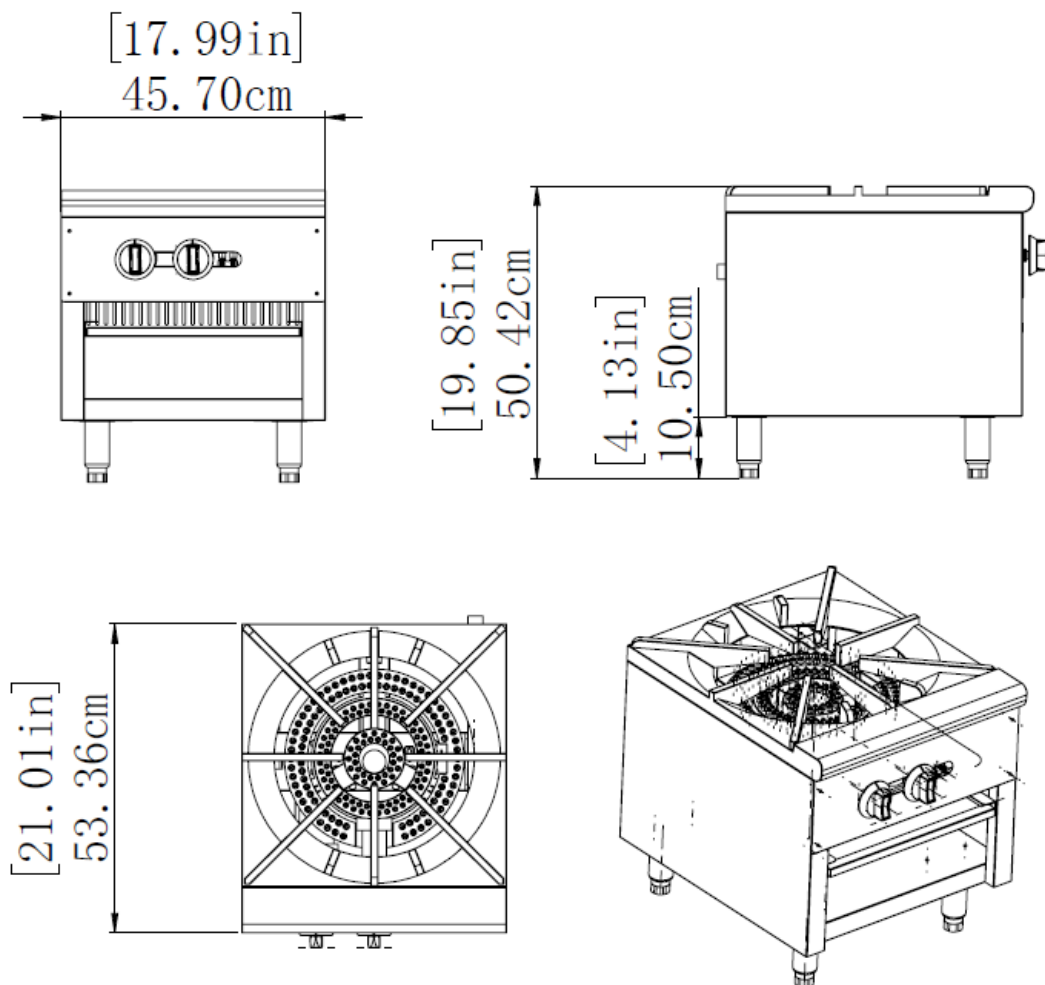
- Do not store or use gasoline or other flammable vapors or liquids in the vicinity of this or any other equipment.
- Improper installation, adjustment, alteration, service or maintenance can cause property damage, injury or death.
- Read the installation and maintenance instructions thoroughly before installing or servicing this equipment.
- Have the equipment installed by a qualified installer in accordance with all federal, state and local codes.
- Do not install or use without all 4 legs.
- This equipment is for use in non-combustible locations only.
- Do not obstruct the flow of combustion and ventilation air.
- Do not spray controls or the outside of the equipment with liquids or cleaning agents
- Allow for hot parts to cool before cleaning or moving.
- This equipment should only be used in a flat, level position.
- Do not operate unattended.
- Any loose dirt or metal particles that are allowed to enter the gas lines on this equipment will damage the valve and affect its operation.
- If you smell gas, follow the instructions provided by the gas supplier. Do not try to light the burner; do not use a telephone within close proximity.
- Never attempt to move grate while cooking.

Product parameters table

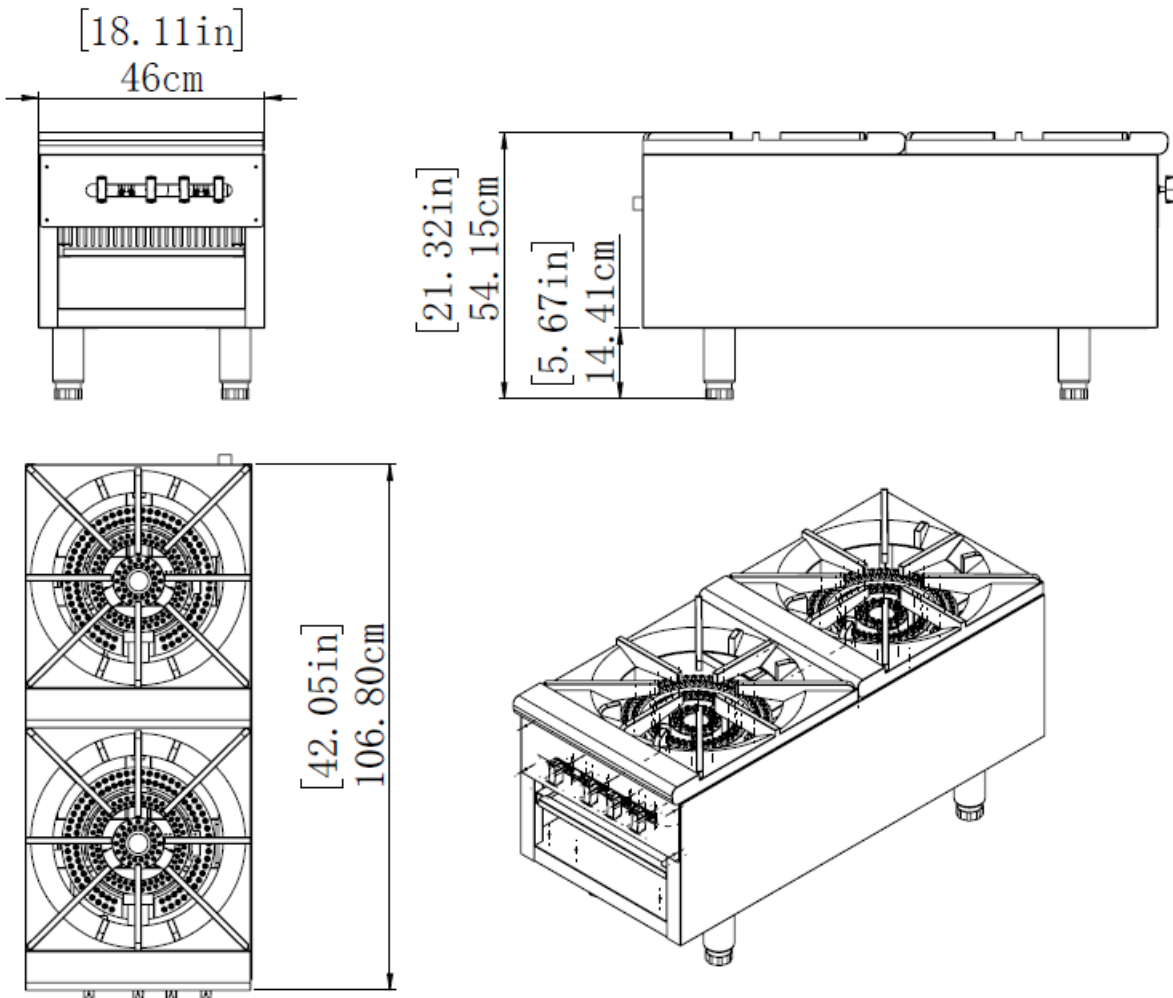
Model	Dimension (mm)	Burner	N/W(kg)	Gas Type			
				NG		LPG	
				Pressure	Power	Pressure	Power
HS-1	460*600*485	1	47	4"W/C	76,000BTU/h	10"W/C	50,000BTU/h
HS-1D	460*1068*485	2	90	4"W/C	152,000BTU/h	10"W/C	100,000BTU/h

Product Structure

HS-1



HS-1D



INSTALLATIONS

UNPACKING & INSPECTION

Carefully remove the appliance from the carton. Remove all protective plastic film, packing materials and accessories from the appliance before connecting performing any installation procedure. Carefully read all instructions in this manual and the Installation Instruction Sheet packed with the appliance before starting any installation.

Read and understand all labels and diagrams attached to the appliance.

Carefully account for all components and accessories before discarding packing materials. Store all accessories in a convenient place for later use.

SETUP

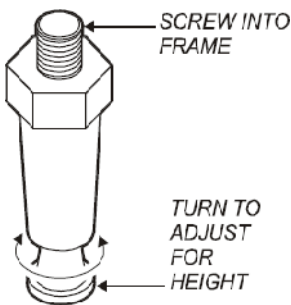
This appliance is designed for use in non-combustible locations only. Setup the Stock Pot only on a firm, level, non-combustible surface.

Verify local codes for requirements. Concrete, tile, terrazzo or metal surfaces are recommended. Metal or tile over combustible material may not meet code for non-combustible surfaces.

Clearances to non-combustible surfaces must be maintained. Maintain 0" from side and rear to non-combustible walls, and 4" from non-combustible counter as established by provided 4" legs. Maintain adequate clearances for cleaning and proper operation. The Stock Pot must be installed in an area with sufficient make-up air for proper combustion, and must be installed such that the flow of combustion and ventilation air will not be obstructed.

For servicing, manufacturer recommends 6" clearance from rear of the appliance to wall.

Install adjustable legs, one on each corner of the appliance, in the holes provided. Verify that the unit sits firmly **ON ALL FOUR LEGS**. With the adjustable legs, adjust as required to level the appliance. All four legs must be adjusted to firmly contact the floor in order to prevent tipping. When used with an exhaust fan, special precautions must be observed to avoid interference with the operation of the Stock Pot, such as drafts and air starvation.



GAS APPLIANCE CODE COMPLIANCE

The installation of gas piping from the outlet side of the gas meter or service regulator to the Stock Pot must be performed by a technician qualified and certified or licensed to install gas-fired equipment.

A licensed and qualified technician must perform the initial start up and adjustment of this appliance.

The installation of this gas-fired appliance must conform to local codes.

IT IS THE RESPONSIBILITY OF THE INSTALLER TO ENSURE

THIS GAS STOCK POT INSTALLATION CONFORMS TO ALL APPLICABLE CODES AND ORDINANCES.

The venting of this appliance must not be obstructed, nor may such venting interfere with the flow of combustion air required for proper operation of the gas burners.

Additionally:

1.The gas supply line used to connect the Stock Pot to the gas supply system must be black iron pipe, or other material as approved by local ordinance for gas piping.

2.Gas supply piping must be inside 3/4" diameter or greater.

3.Use pipe sealant made specifically for gas piping on all pipe joints. Apply sealant sparingly to the male threads only.

Sealant must be resistant to the action of LP gas.

4.Verify that all supply piping is clean and free of obstructions, dirt, chips and pipe sealant compound prior to installation.

5.All pipe joints must be checked for leaks before lighting. Leak checks should be performed with a soap and water solution. NEVER CHECK FOR LEAKS WITH AN OPEN FLAME.

INSTALLING THE Stock Pot

Refer to the nameplate. Verify the fuel type and pressure, which must match the nameplate specifications. Connecting the Stock Pot to the wrong fuel type and/or pressure will compromise the safety and/or performance of the appliance.

The Stock Pot must be placed in its final operational position and leveled front-to-back and side-to-side, with a spirit level, prior to beginning the gas piping installation. Re-check the level of the unit at the conclusion of the gas piping installation.

Each gas Stock Pot is supplied with a separate gas pressure regulator, which must be installed on the manifold pipe protruding from the rear of the Stock Pot. Ensure that the regulator is installed such that the flow arrow stamped on the body of the regulator points toward the Stock Pot. Failure to properly install the supplied regulator will result in an extremely hazardous condition.

A moisture trap (drip leg) consisting of a tee, 4" nipple pointing down, and cap must be installed upstream of the gas pressure regulator.

A manual gas shut-off valve may be required by local codes and is, in any case, strongly recommended. The shut-off valve must be installed between the gas supply

pipng and the gas pressure regulator.

It is the responsibility of the gas piping installer to identify the code requirement for a shut-off valve.

Shut-off valves, moisture trap and all associated piping must be supplied by the gas piping installer.

SET GAS PRESSURE:

Set the suitable gas pressure regulator.

SET PILOT FLAME:

The pilot adjustments are located between the control valves for each set of burners. The right valve controls the front pilot; the left valve controls the rear pilot.

Using a small, flat-blade screwdriver, turn the screw clockwise to decrease the flame size, or counter-clockwise to increase the flame size.

Adjust the pilot flame to 1/4" high. Test for operation: inside and outside sections of the burner must light without undue delay. Drafty conditions may require a higher flame to allow the pilot to remain lit.

ADJUST BURNER FLAME:

Remove all burner control knobs, then remove the front panel. Turn an individual burner on. The right knob controls the front burner; the left knob controls the rear burner.

Loosen the locking screw on the shutter.

Turn the shutter to admit more or less air as required. Adjust the air shutter until the flame is mostly blue in color.

Tighten the locking screw when finished. Replace the front panel and all knobs before returning the unit to service.

GAS CONVERSION:

- Conversion from Natural Gas to Liquid Propane (LP) or vice versa may only be performed by the factory or its authorized service agent. In case of troubleshooting, ensure the correct orifice sizes of the spuds have been provided.

- Natural Gas Orifice is # 30
- Liquid Propane Gas Orifice is #52
- Orifice size is marked on the spud

OPERATION

Carefully read the description of the Stock Pot operation on the specification sheet. Make sure burners, pilot burner and grate assembly are properly installed before attempting to operate.

Do NOT use this appliance if it has been submerged in water.

Call a qualified technician to examine the appliance and to service or replace any component which has been submerged. Burners which have been allowed to become wet must be thoroughly dried before use.

The burner control knobs must be turned by hand only. Never use tools to turn the control knob. If the knob will not turn by hand, do NOT attempt to force or repair it. Contact your manufacturer for repairs. Forced or improperly repaired valves pose the risk of fire and/or explosion.

LIGHTING THE PILOT LIGHT

Before lighting the pilot light, smell all around the appliance area for gas. Be sure to smell near floor level because some gas is heavier than air and will settle to the floor.

The pilot light must be lighted by hand:

Turn both control knobs to the full OFF position.

Be sure the gas shut-off valve is ON and the appliance has had time for the air to be purged from the lines.

Light the pilot with a long match or fireplace lighter. Use of a cigarette lighter is NOT recommended.

SHUT DOWN INSTRUCTIONS

Turn all burner knobs to OFF.

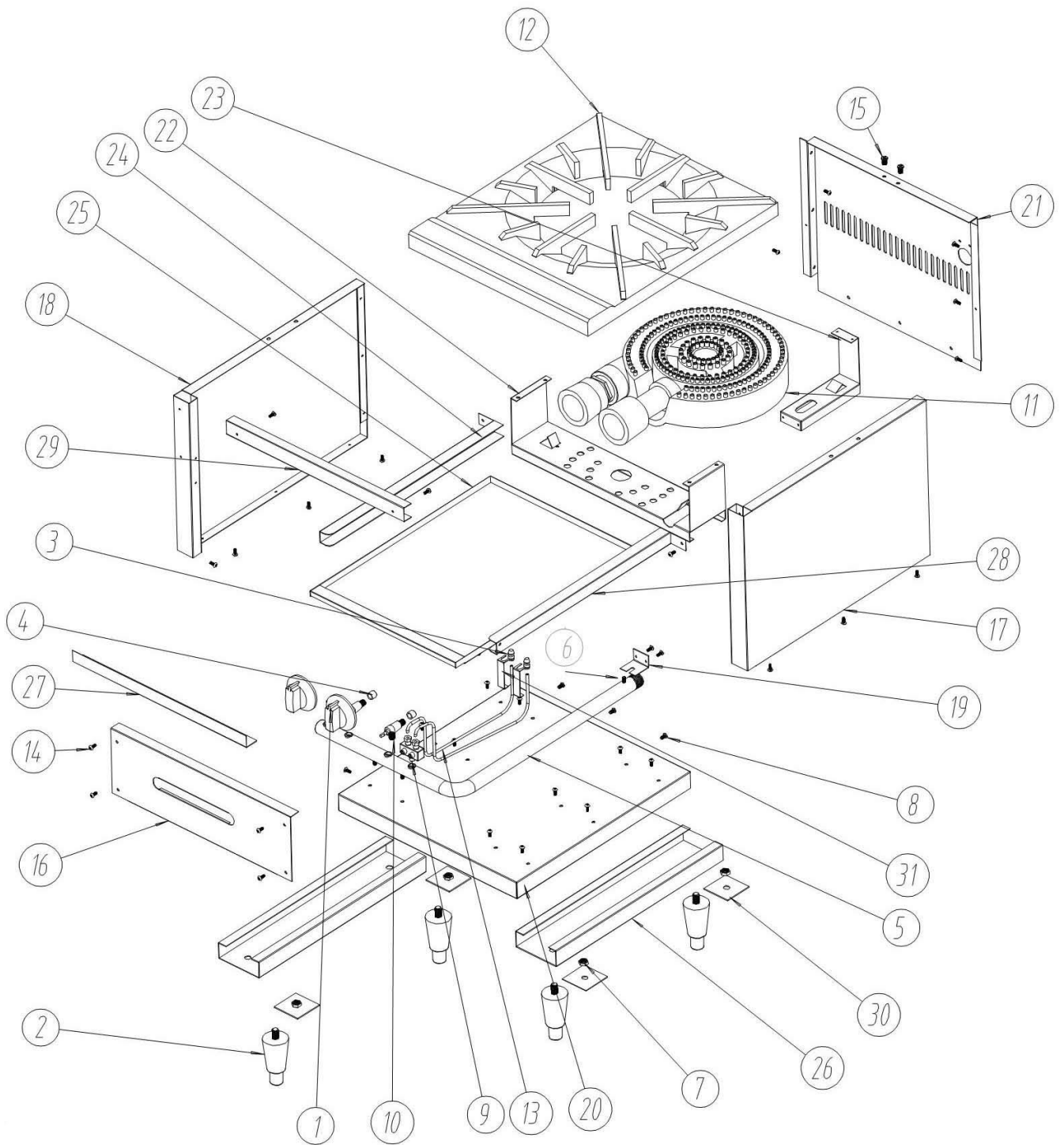
Turn all pilots OFF.

Turn the main gas supply OFF.

Failure Analysis & Trouble Shooting:

Symptoms	Causes	Solutions
The pilot flame cannot be lit up.	<ol style="list-style-type: none"> 1. Pressure in gas pipeline is not enough. 2. The fire hole is blocked. 3. The pilot valve is defective. 	<ol style="list-style-type: none"> 1. Regulate the reducing valve. 2. Unblock the fire hole. 3. Replace the valve.
The pilot flame is on but the main burner cannot be lit up.	<ol style="list-style-type: none"> 1. Pressure in gas pipeline is not enough. 2. Main nozzle is blocked. 3. The gas control valve is defective. 4. The damper is too large. 	<ol style="list-style-type: none"> 1. Regulate the reducing valve. 2. Unblock the nozzle. 3. Replace the gas control valve. 4. Turn down the damper.
It has a light-back sound when turning off the gas supply.	<ol style="list-style-type: none"> 1. Nozzle diameter does not match with the gas supply. 2. The damper is too large. 3. The supply pressure is too low. 4. Flow of connected pipe is not enough. 	<ol style="list-style-type: none"> 1. Regulate the nozzle diameter. 2. Adjust the damper. 3. Regulate the reducing valve. 4. Increase the permitted flow.
Is has red flame and black smoke.	<ol style="list-style-type: none"> 1. Nozzle diameter does not match with the gas supply. 2. The damper is too small. 3. Gas nearly runs out. 4. Gas ingredients are volatile in gas peak period. 	<ol style="list-style-type: none"> 1. Regulate the nozzle diameter. 2. Adjust the damper. 3. Replace the gas. 4. Decrease the gas flow. Increase it after the peak.

Exploded Drawing



Part List

No.	Description	QTY(HS-1)
1	Knob	2
2	Adjustable foot	4
3	Pilot	2
4	Orifice	2
5	Inlet pipe	1
6	Test plug of inlet pipe	1
7	Nut	4
8	Bolt	3
9	Adjust valve	1
10	A18 valve	2
11	Burner	1
12	Grate	1
13	Pilot gas pipe	2
14	Screw	36
15	Screw	3
16	Front panel	1
17	Side plate, right	1
18	Side plate, left	1
19	Clip to fix inlet pipe	1
20	Bottom base plate	1
21	Rear plate	1
22	Burner support	1
23	Plate to connect burner support	1
24	Left slide way for crumb tray	1
25	Crumb tray	1
26	Foot strengthen plate	2
27	Inlet pipe support	1
28	Right slide way for crumb tray	1
29	Front strengthen plate	1
30	Plate to fix foot	4
31	Plate to fix pilot	2