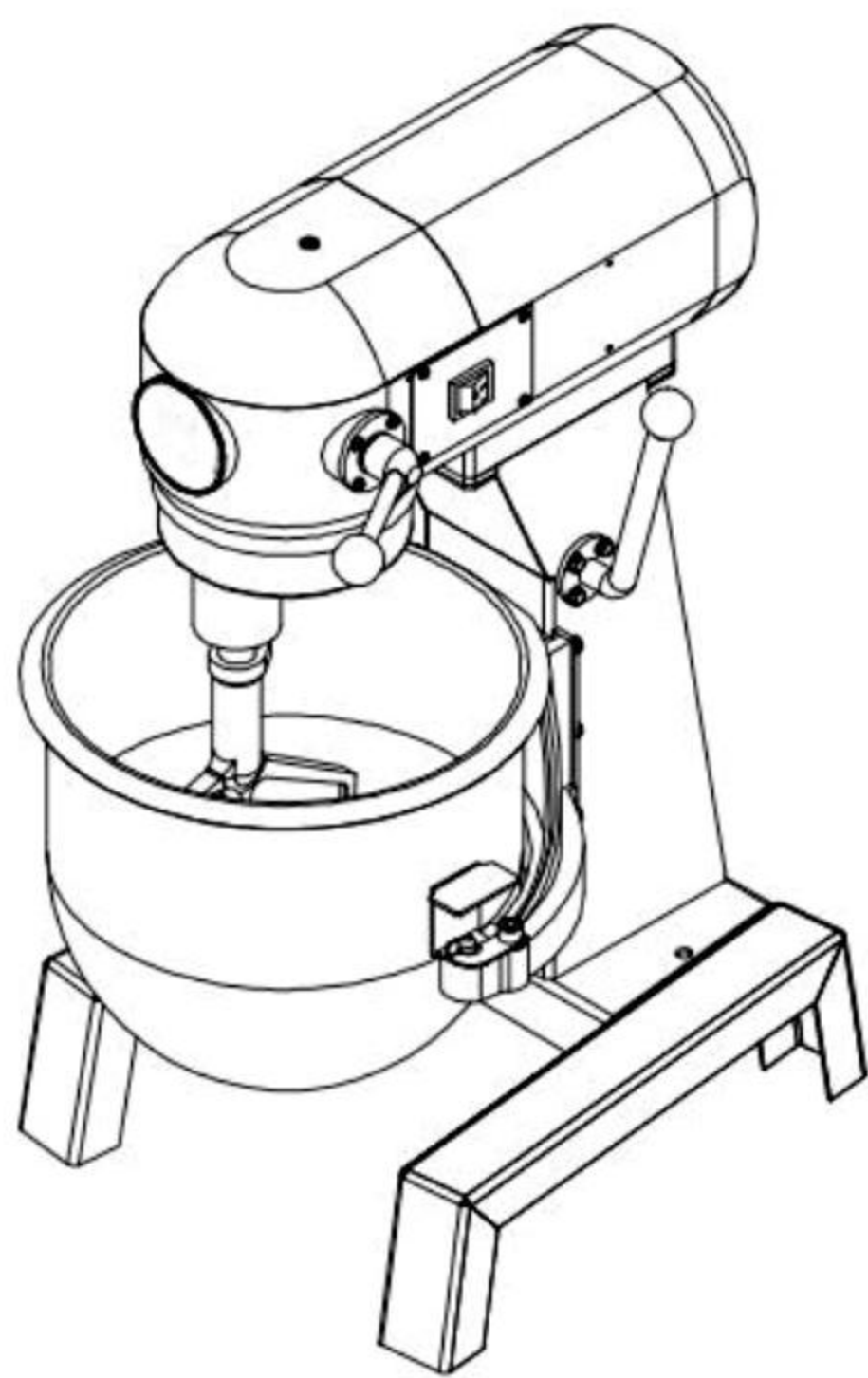
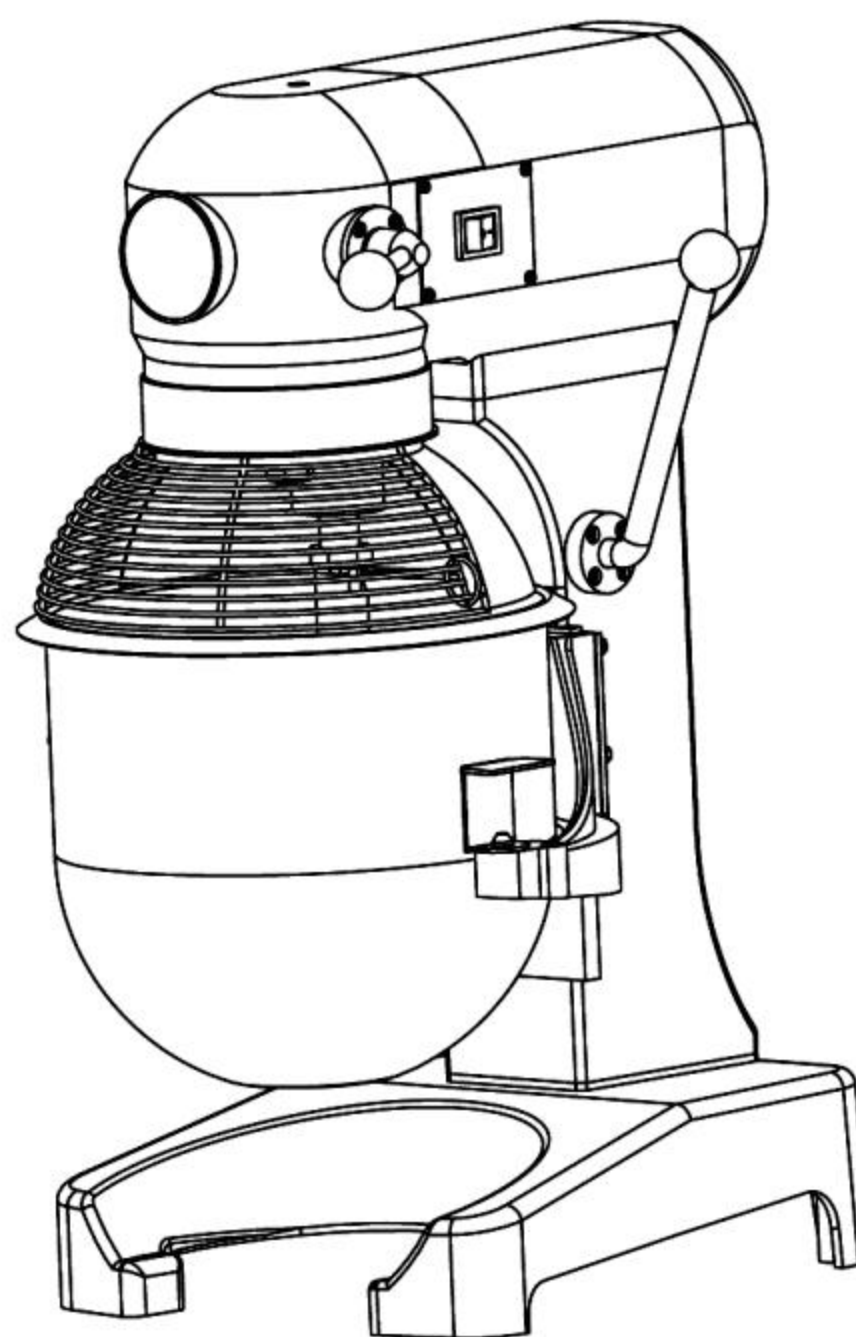


Multi-functional Food mixer

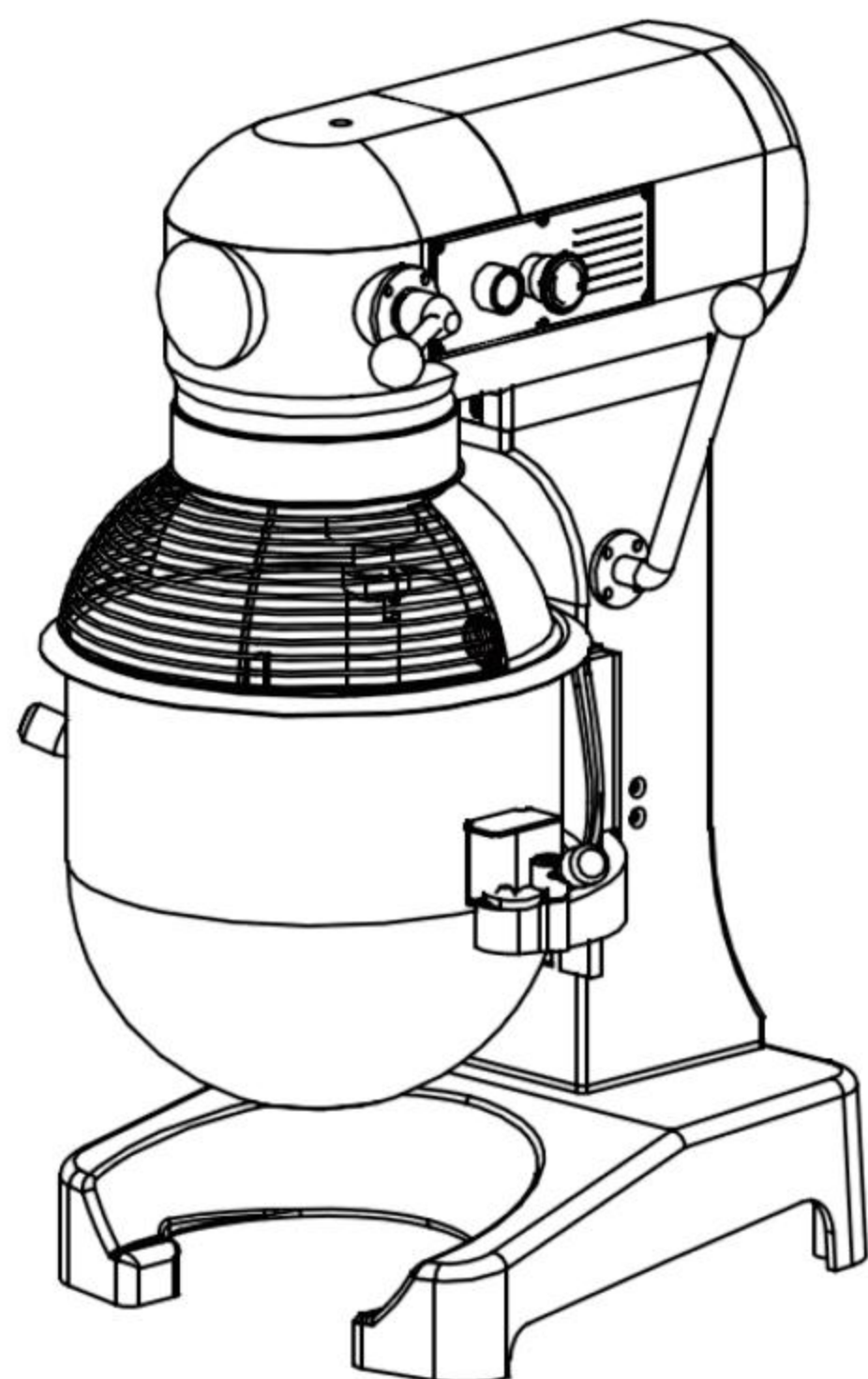
INSTRUCTIONS



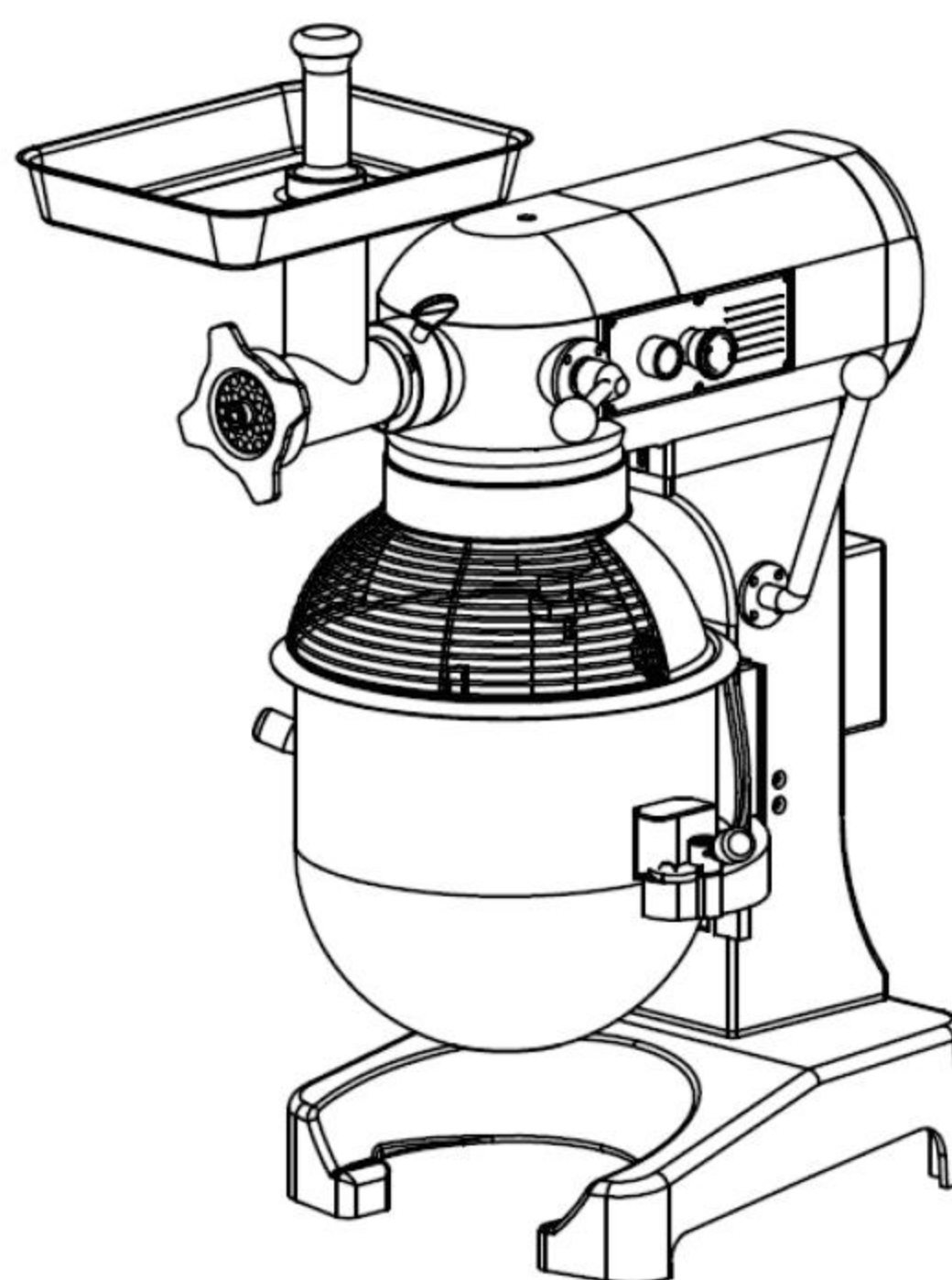
B10, B20, B30



M10B, M20B, M30B



M10A, M20A, M30A



M10A-4, M20A-4, M30A-4





● PLEASE NOTE: READ THIS INSTRUCTIONS MANUAL BEFORE USING.

1 Content

Content	P1
All Bakery Solution	P2
Front View	P3
Gear Box Body	P8
Axis Assembly	P9
Gear Assembly	P10
Worm Gear Assembly	P11
Motor Assembly	P12
Transmission Fork Assembly	P13
Base, Pedestal, Bowl Up and Down System	P14
Planetary Base, Mixing Shaft System	P15
Bowl Support System	P16
Standard Parts	P17
Meat Grinder System (Optional)	P18
Exploded Views For 30Lt Series	P19
Single Phase Electrical Wiring Diagrams	P20
Three Phases Electrical Wiring Diagrams	P21
Route Map	P22
Operation	P23
Attention	P24
Fault handling and technical parameters	P25

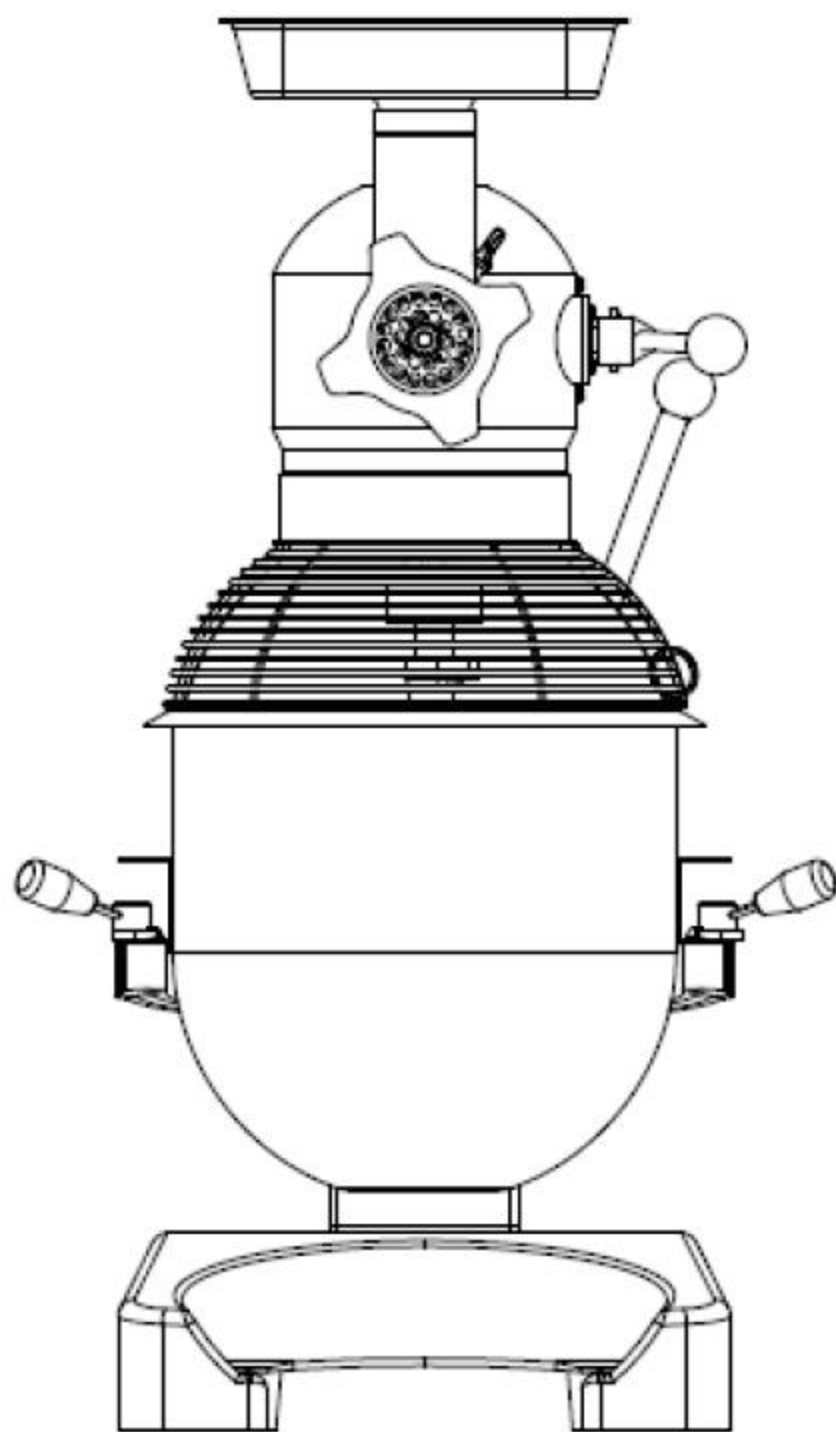
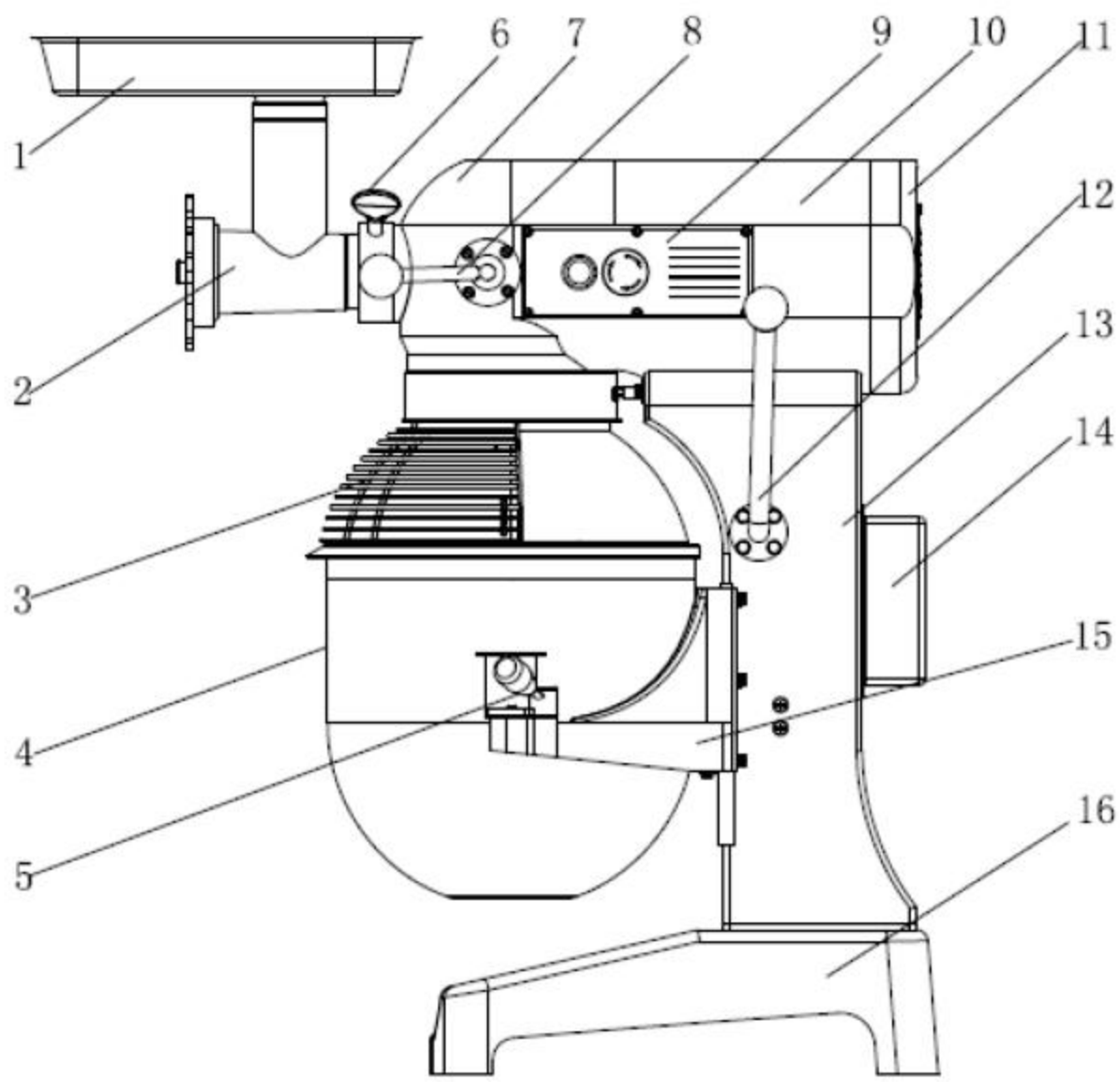
2 All Bakery Solution

HAKKA series of multifunctional mixers are the food processing machines, which are complete with modern designs and meet with domestic and international markets; The Integrated machine bodies, cast iron bases, premium stainless steel bowls, bowl guards and gear-driven transmissions are in reliable, durable, and consistent performance; The minimum downtime is with positive drive under heavy loads; These products series have been approved by CE.

Model	Volume	Mixing speed(R.P.M.)				Rated power (HP)	Power Supply (V/Hz)	AxBxC Size (mm)
								
M10	10Qt/10Lt	404	225	125		1/2	110V/60Hz	498*407*697
B10							220V/50Hz	
							380V/50Hz	
M10B	10Qt/10Lt	404	225	125		1/2	110V/60Hz	492*389*697
B10B							220V/50Hz	
							380V/50Hz	
M10A	10Qt/10Lt	404	225	125		1/2	110V/60Hz	527*435*697
B10A							220V/50Hz	
							380V/50Hz	
M10A-4	10Qt/10Lt	404	225	125	46-87-156	1/2	110V/60Hz	683*343*697
B10A-4							220V/50Hz	
							380V/50Hz	
M20	20Qt/20Lt	404	225	125		1	110V/60Hz	576*407*792
B20							220V/50Hz	
							380V/50Hz	
M20B	20Qt/20Lt	404	225	125		1	110V/60Hz	557*394*792
B20B							220V/50Hz	
							380V/50Hz	
M20A	20Qt/20Lt	404	225	125		1	110V/60Hz	594*511*792
B20-A							220V/50Hz	
							380V/50Hz	
M20A-4	20Qt/20Lt	404	225	125	46-87-156	1	110V/60Hz	706*511*896
B20A-4							220V/50Hz	
							380V/50Hz	
M30	30Qt/30Lt	404	225	125		3/2	110V/60Hz	660*570*945
B30							220V/50Hz	
							380V/50Hz	
M30B	30Qt/30Lt	404	225	125		3/2	110V/60Hz	642*570*965
B30B							220V/50Hz	
							380V/50Hz	
M30A	30Qt/30Lt	404	225	125		3/2	110V/60Hz	656*570*965
B30A							220V/50Hz	
							380V/50Hz	
M30A-4	30Qt/30Lt	404	225	125	46-87-156	3/2	110V/60Hz	760*560*1046
B30A-4							220V/50Hz	
							380V/50Hz	

TECHICAL PARAMETER SUBJECT TO CHANGE WITHOUT NOTICE

3 Front View For 10/20/30Lt Series

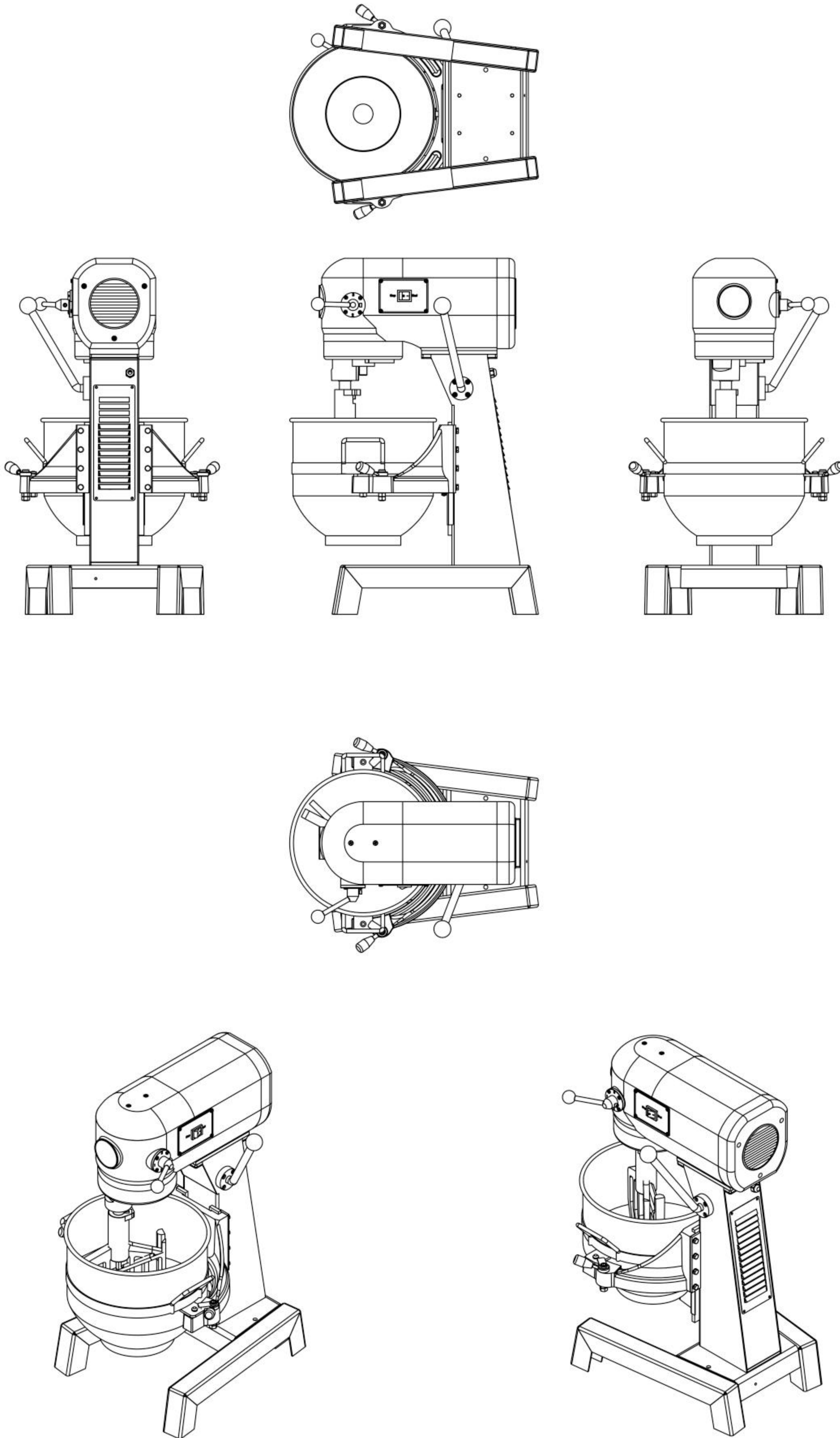


No.	Name	Qt.	Note
1	Stuff tray	1PCS	Option
2	Meat Grinder Head	1SET	Option
3	Protect Cover	1SET	Option
4	Bowl	1PCS	
5	Bowl Lock arm	2SET	
6	Lock-screw	1PCS	Option
7	Top Cover	1PCS	
8	Transmission Handle	1PCS	
9	Name Plate	1PCS	
10	Body	1PCS	
11	Rear Cover	1PCS	
12	Up and Down Handle	1PCS	
13	Pedestal	1PCS	
14	Electric Box	1PCS	Option
15	Bowl Support	1PCS	
16	Base	1PCS	Option

Notes :

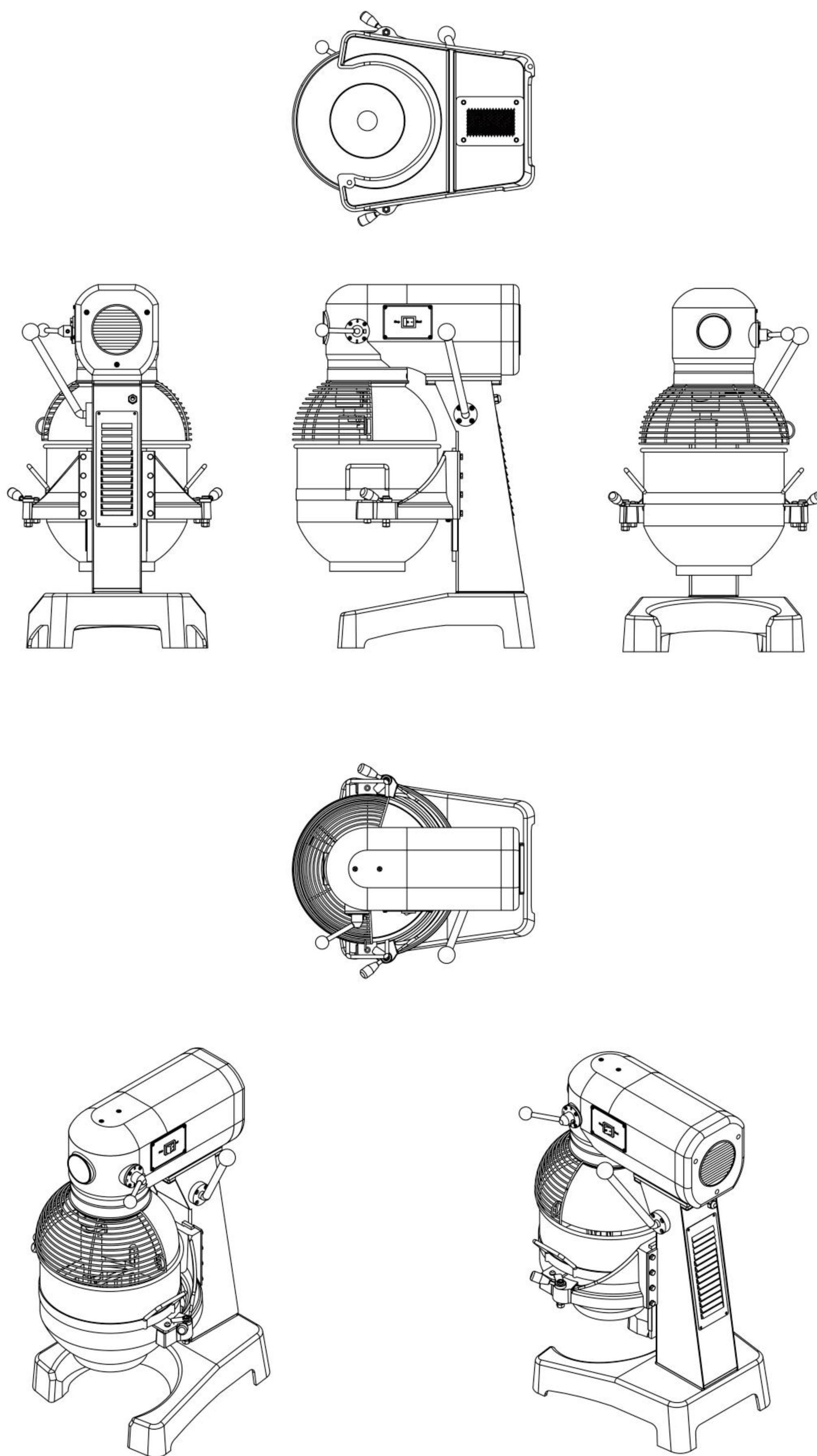
1. Do not use the water pipe to spray and clean the machine .
2. Do not touch the switches and power with wet hands.
3. When repairing the machine, please first pull out the power plug, and ask the professional staffs to repair it .

3-1 Different views for B10, B20, B30



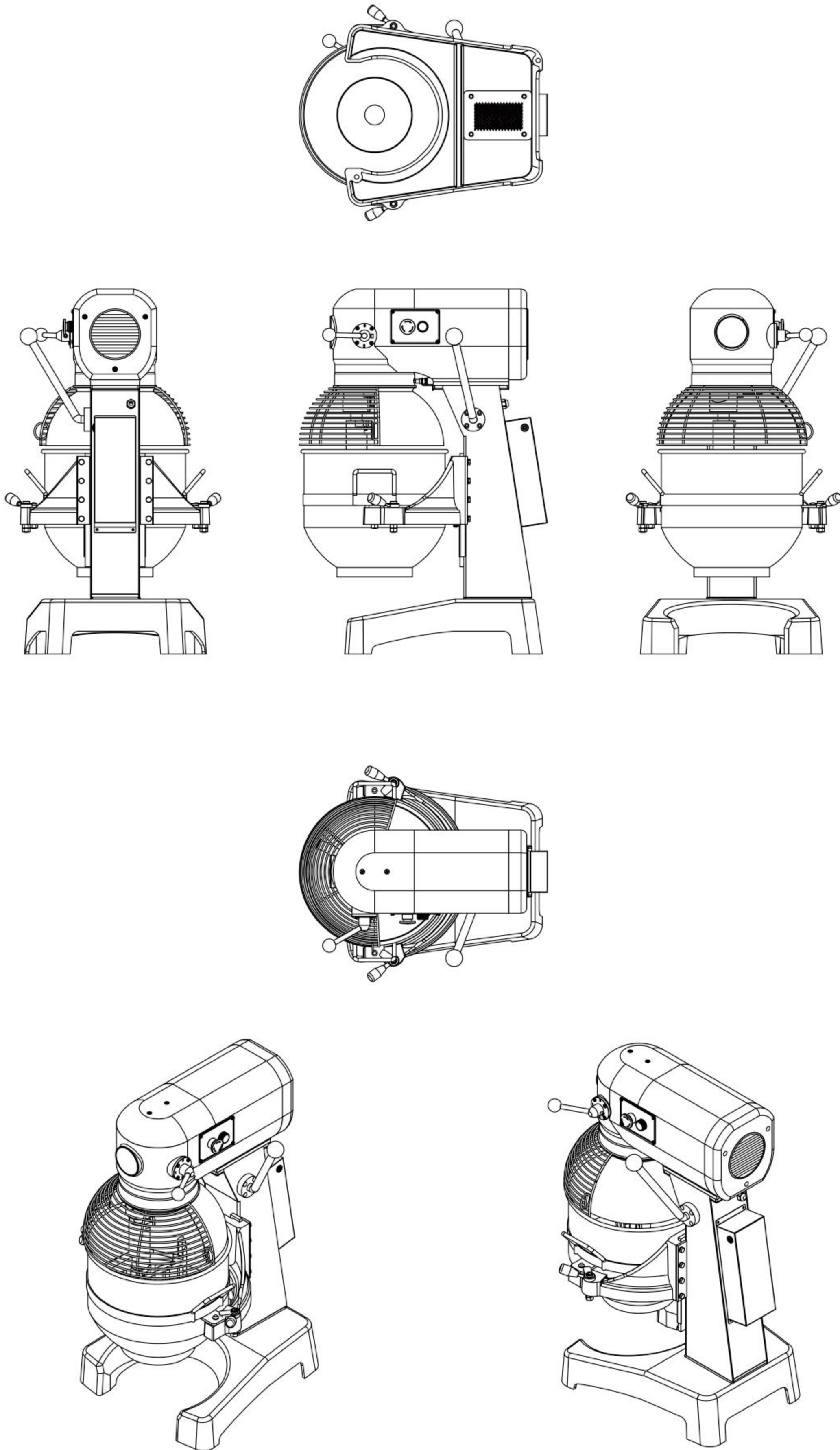
TECHICAL PARAMETER SUBJECT TO CHANGE WITHOUT NOTICE

3-2 Different views for M10B, M20B, M30B



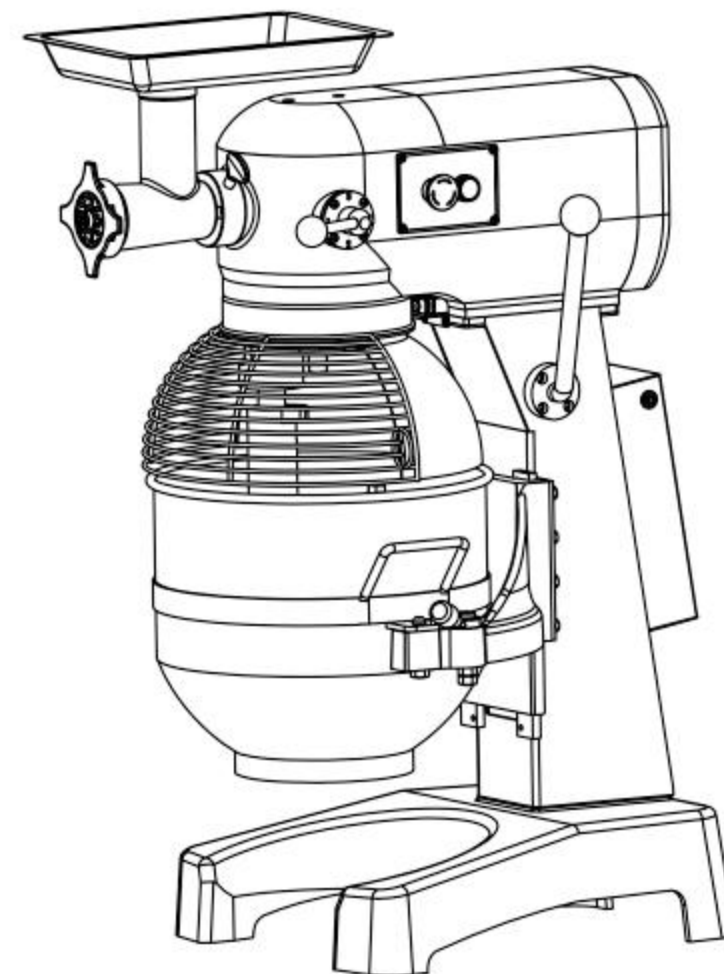
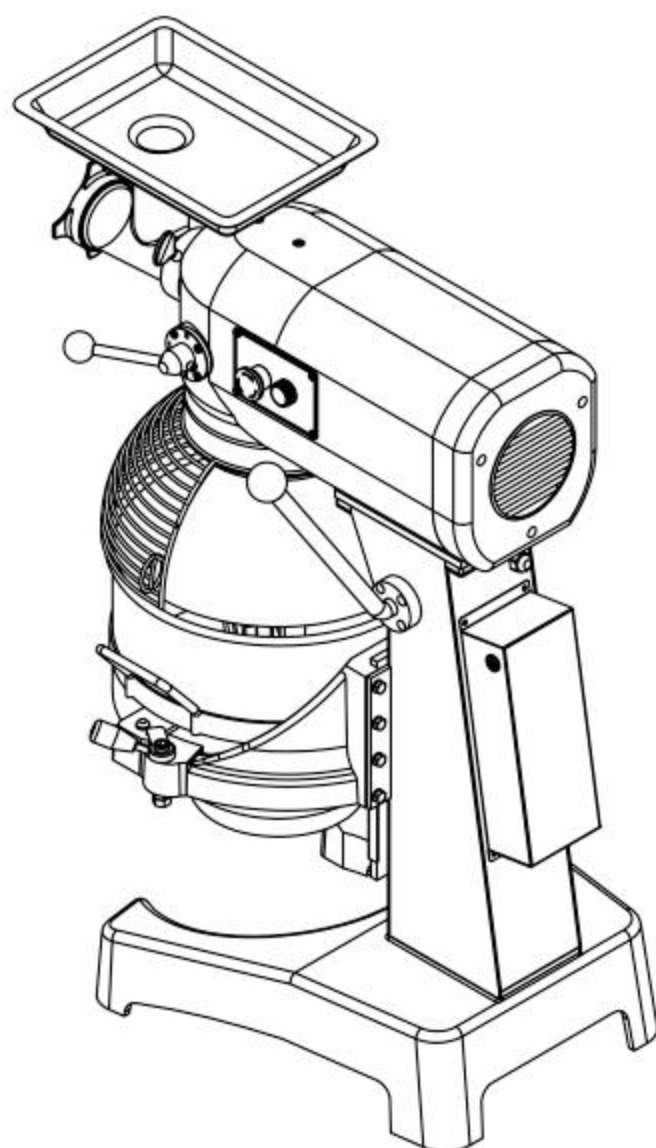
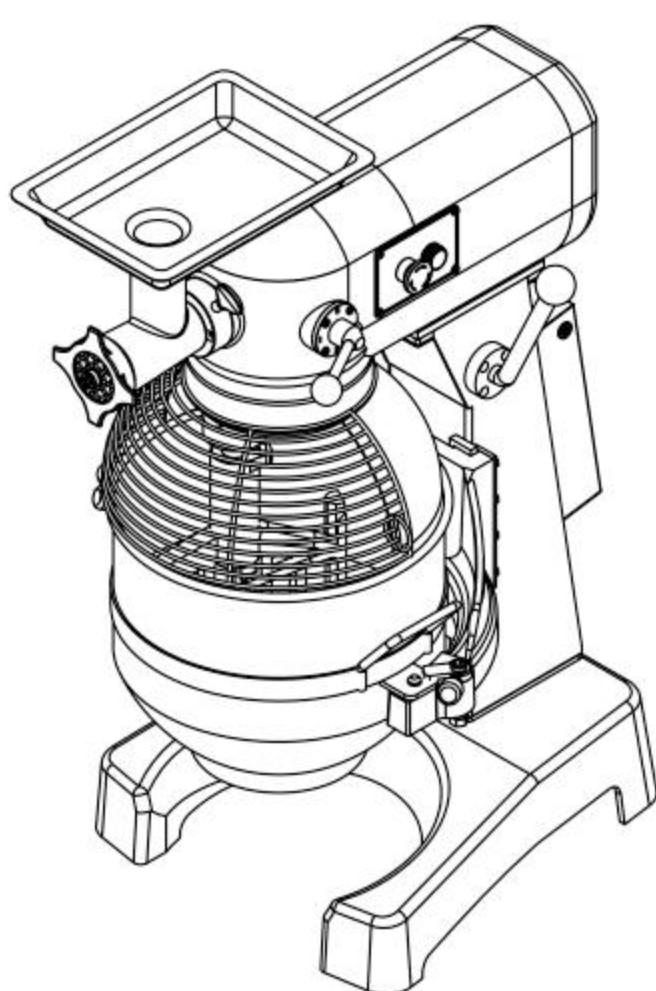
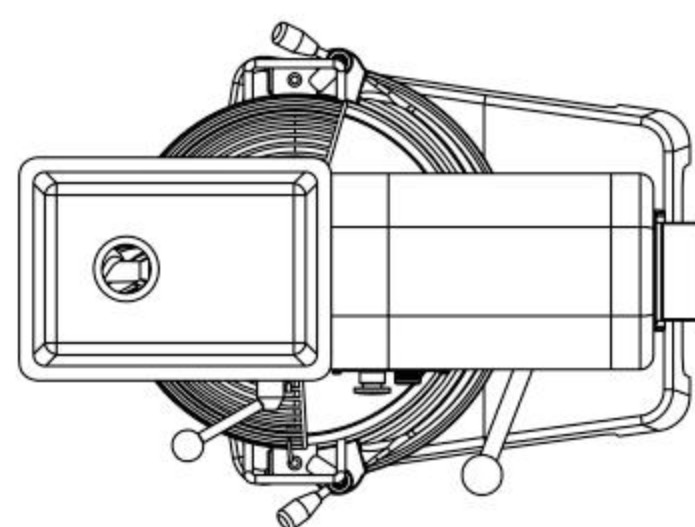
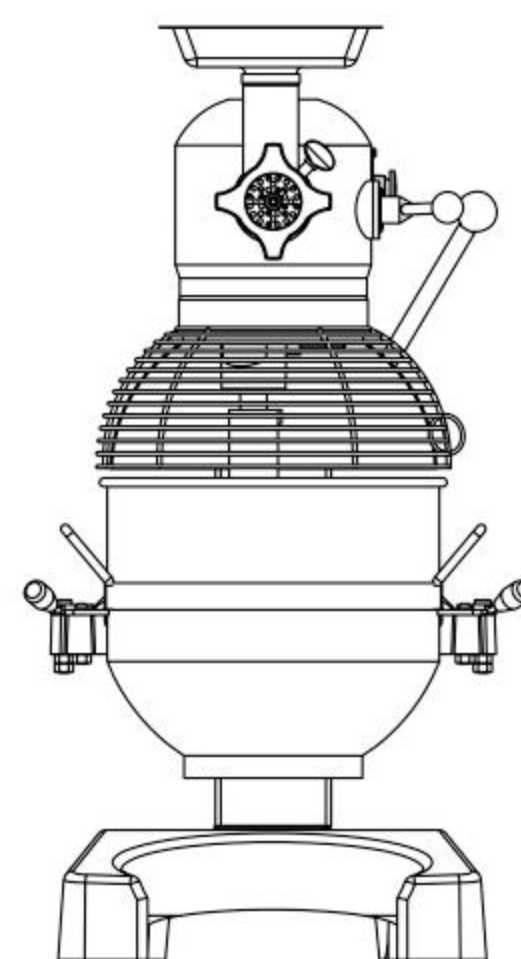
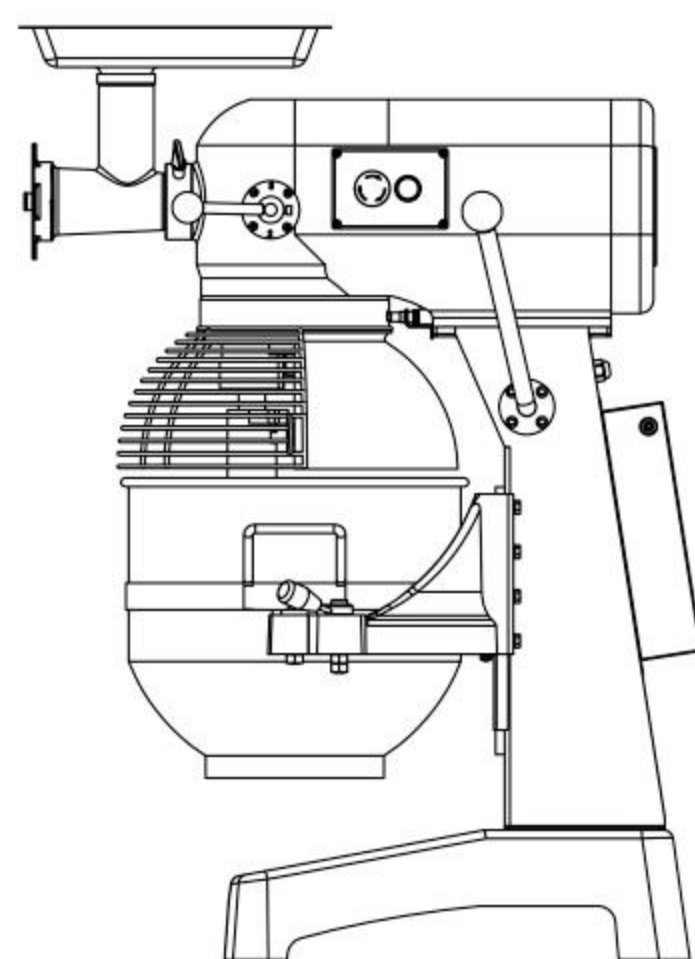
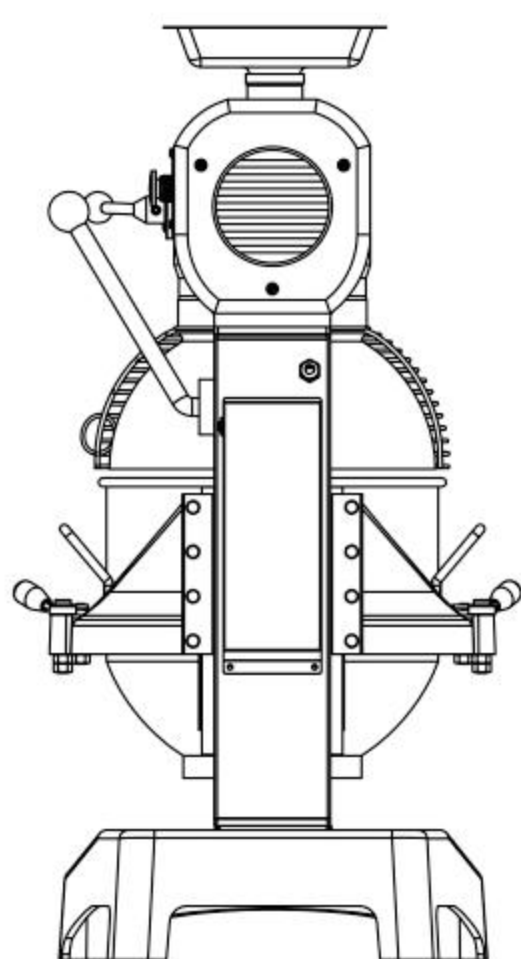
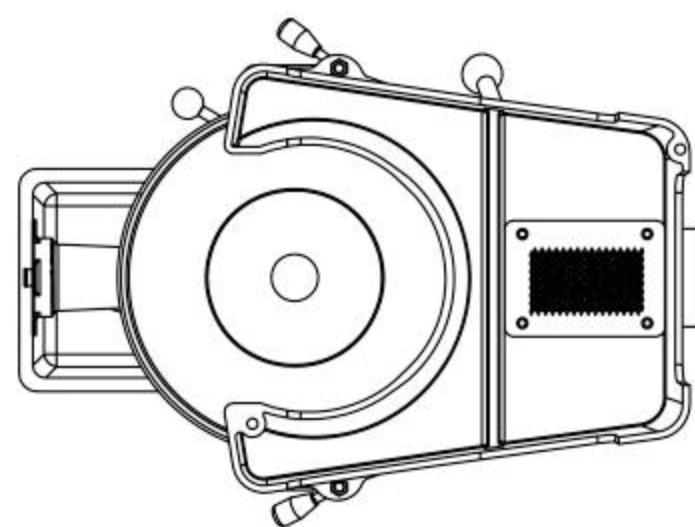
TECHICAL PARAMETER SUBJECT TO CHANGE WITHOUT NOTICE

3-3 Different views for M10A. M20A. M30A



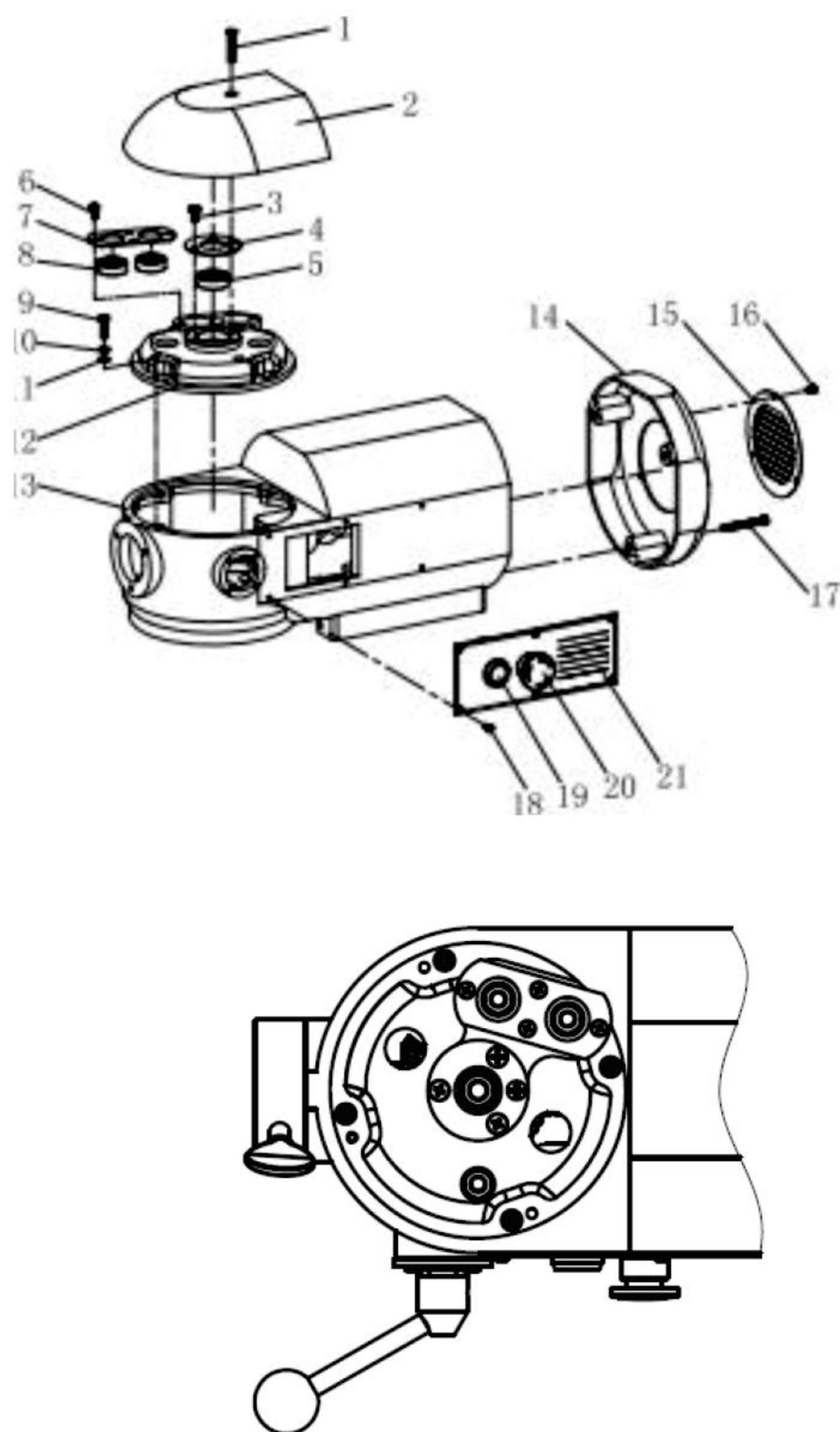
TECHICAL PARAMETER SUBJECT TO CHANGE WITHOUT NOTICE

3-4 Different views for M10A-4, M20A-4, M30A-4



TECHICAL PARAMETER SUBJECT TO CHANGE WITHOUT NOTICE

4 Gear Box Body For 10/20Lt Series



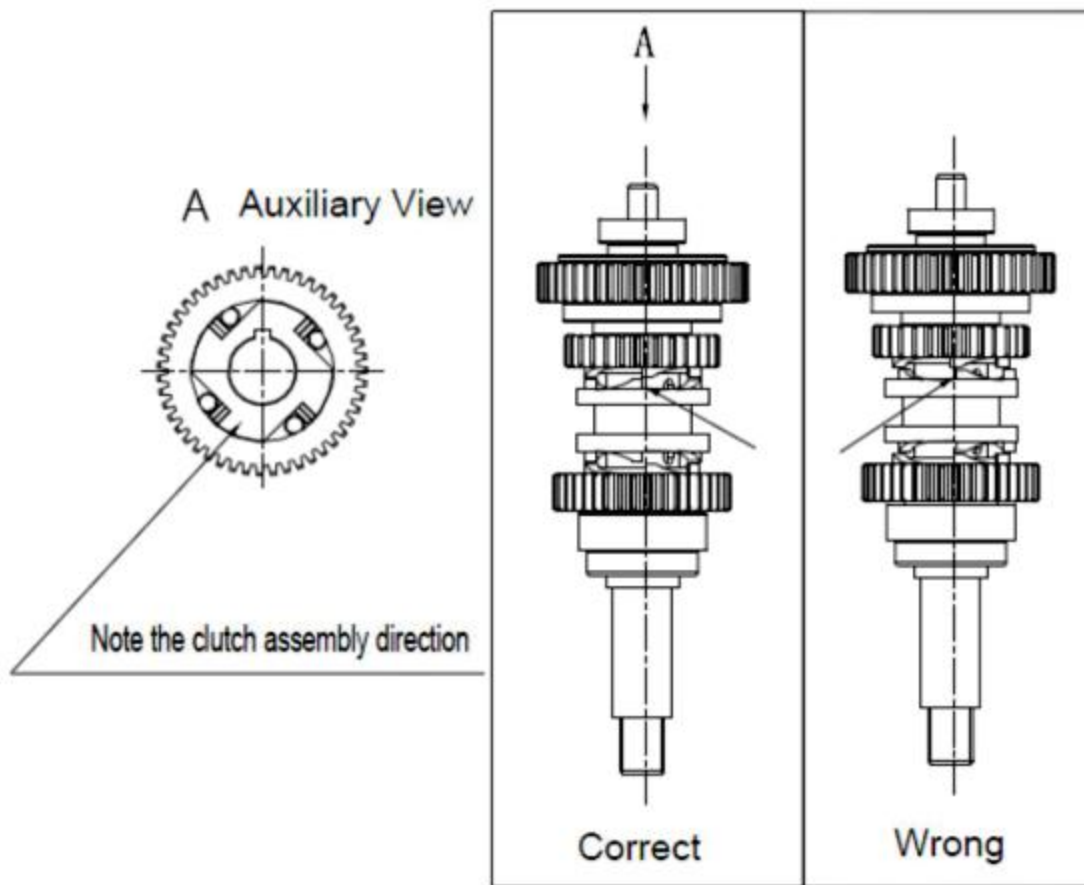
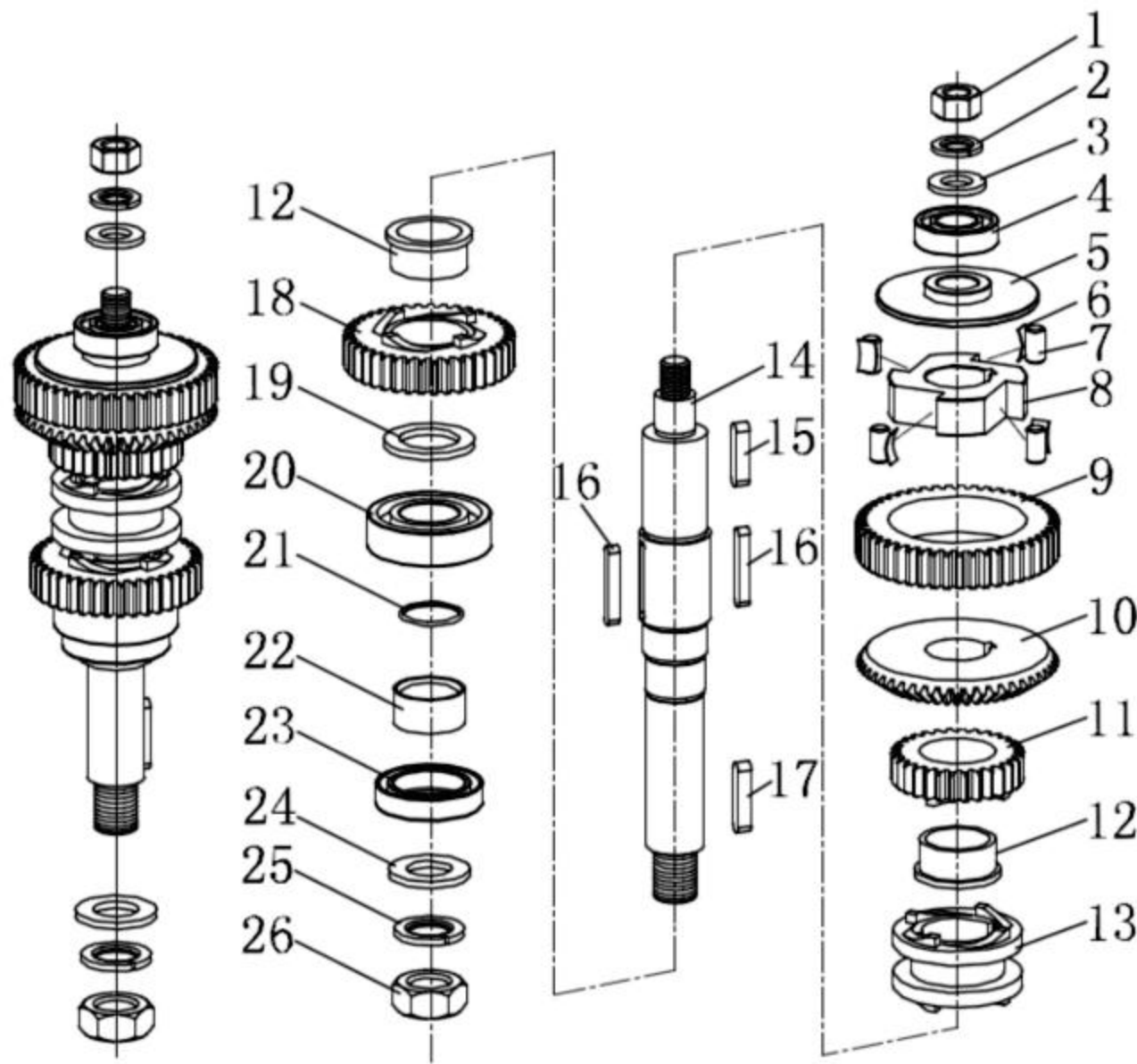
No.	Name	Qt.	Note
1	Sunk screw	1PCS	
2	Top cover	1PCS	
3	Cup head screw	3PCS	
4	Center hole piece	1PCS	
5	Bearing	1PCS	
6	Cup head screw	4PCS	
7	Double orifice piece	1PCS	
8	Bearing	2PCS	
9	Inner hexagon screw	4PCS	
10	Spring washer	4PCS	
11	Flat gasket	4PCS	
12	Bearing block	1PCS	
13	Body	1PCS	
14	Back cover	1PCS	
15	Back air window	1PCS	
16	Cup head screw	3PCS	
17	Inner hexagon screw	3PCS	
18	Cup head screw	6PCS	
19	Start switch	1PCS	
20	Emergency switch	1PCS	Option
21	Name plate	1PCS	

Notes :

1. Before the machine goes out of the factory, it has been filled with the high quality lubricating grease (Lithium base lubrication grease #42), which can be stored for 3-4 year. But after repairing the machine, please replace the lubricating grease, preventing the fallen screws or other things damaging the machine accidentally during repair.
2. Please don't open the head at will, unless the internal worm or gear and related parts go wrong.
3. Please tighten the blanking cover after filling the machine with grease.
4. After repair, please tighten each screw.

TECHICAL PARAMETER SUBJECT TO CHANGE WITHOUT NOTICE

5 Center Shaft Assembly for 10/20Lt Series

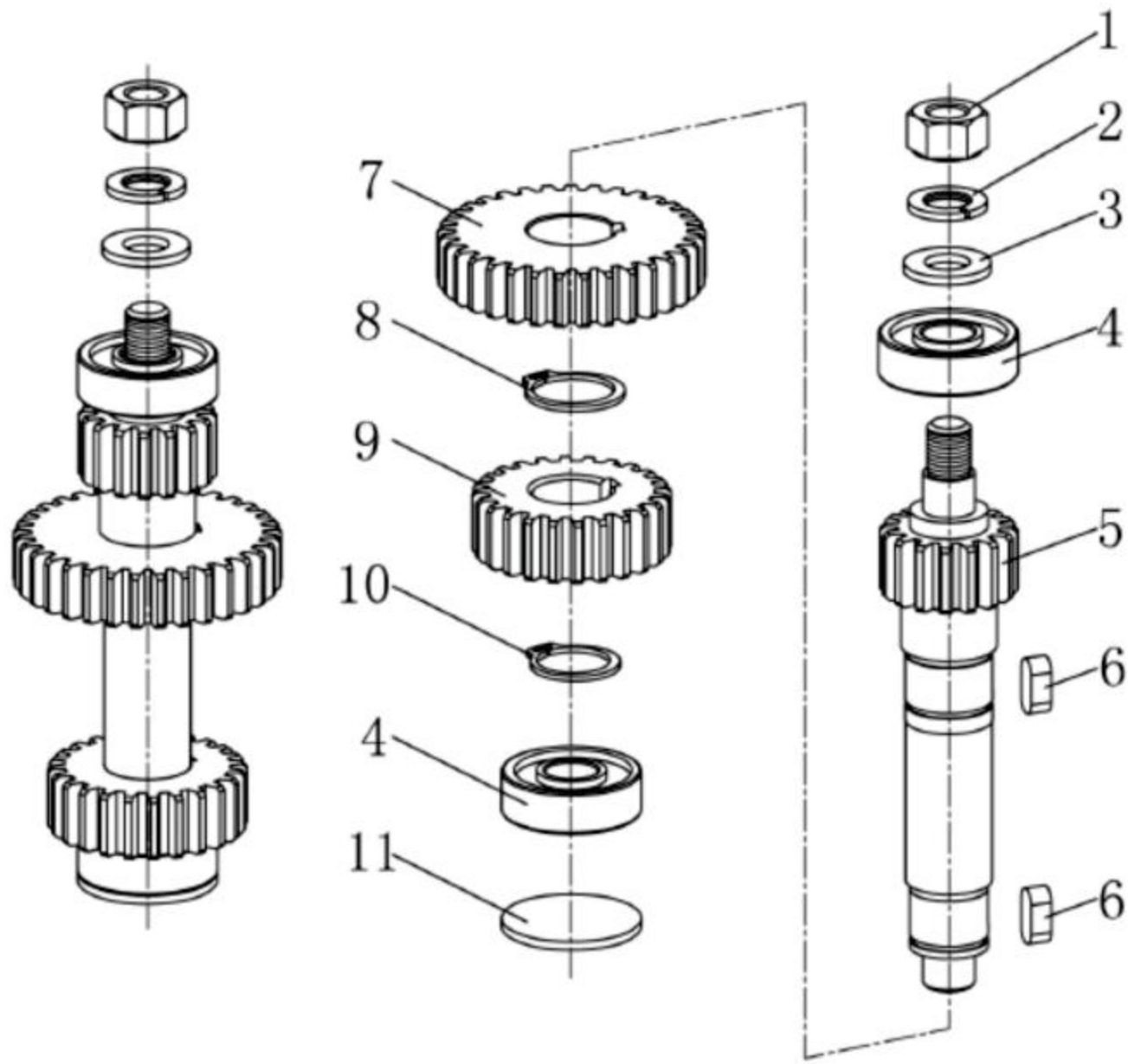


No.	Name	Qt.	Note
1	Hexnut	2PCS	
2	Spring washer	2PCS	
3	Flat gasket	2PCS	
4	Bearing	7PCS	
5	Clutch Cover	1PCS	
6	Spring lamination	4PCS	
7	Steel column	4PCS	
8	Clutch Base	2PCS	
9	Gear	4PCS	
10	Angle Gear	4PCS	
11	Joint Gear	4PCS	
12	Bearing Bush	1PCS	
13	Clutch	1PCS	
14	Center shaft	1PCS	
15	Flat key	1PCS	
16	Flat key	3PCS	
17	Flat key	3PCS	
18	Joint gear	6PCS	
19	Center shaft washer	1PCS	
20	Bearing	1PCS	
21	Seal ring	1PCS	
22	Sleeve	1PCS	
23	Framework oil seal	1PCS	
24	Flat gasket	1PCS	
25	Spring washer	1PCS	
26	Hexnut	1PCS	

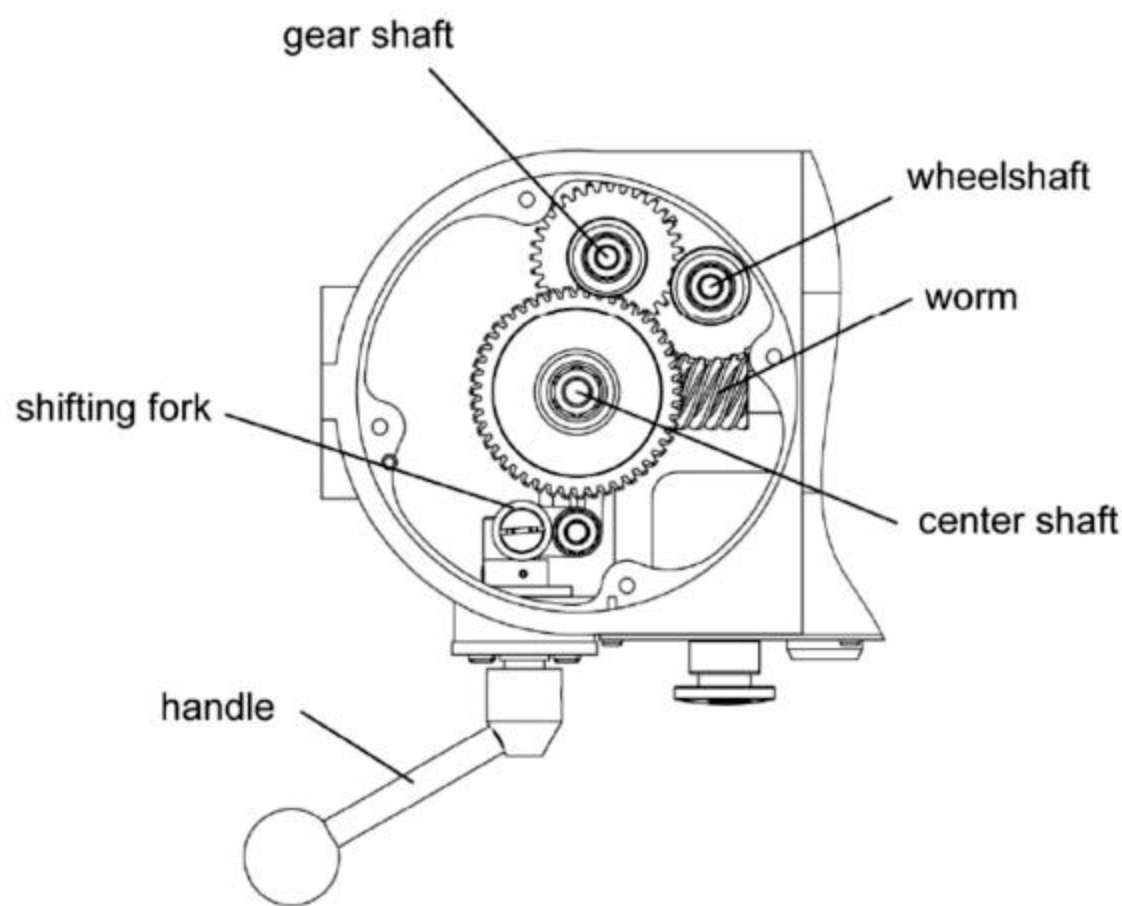
Notes :

1. When disassembling or assembling the machine, please beat it carefully to avoid damaging the spare parts.
2. After installation and repair:
 - (1) Check whether the clutch direction is the same as the sketch map indicates .
 - (2) Check whether the assembly directions of joint gear and jointer are the same as the sketch map indicates.
3. After installation and repair, please try to run the machine, checking whether the oil is dropped. If so, please check whether the # 23 framework oil seal is damaged.

6 Gear Assembly For 10/20Lt Series



No.	Name	Qt.	Note
1	Hexnut	1PCS	
2	Spring Washer	1PCS	
3	Flat gasket	1PCS	
4	Bearing	2PCS	
5	Gear shaft	1PCS	
6	Flat key	2PCS	
7	High-sped gear	1PCS	
8	Washer on shaft	1PCS	
9	Low speed gear	1PCS	
10	Washer on shaft	1PCS	
11	Gear shaft gasket	1PCS	

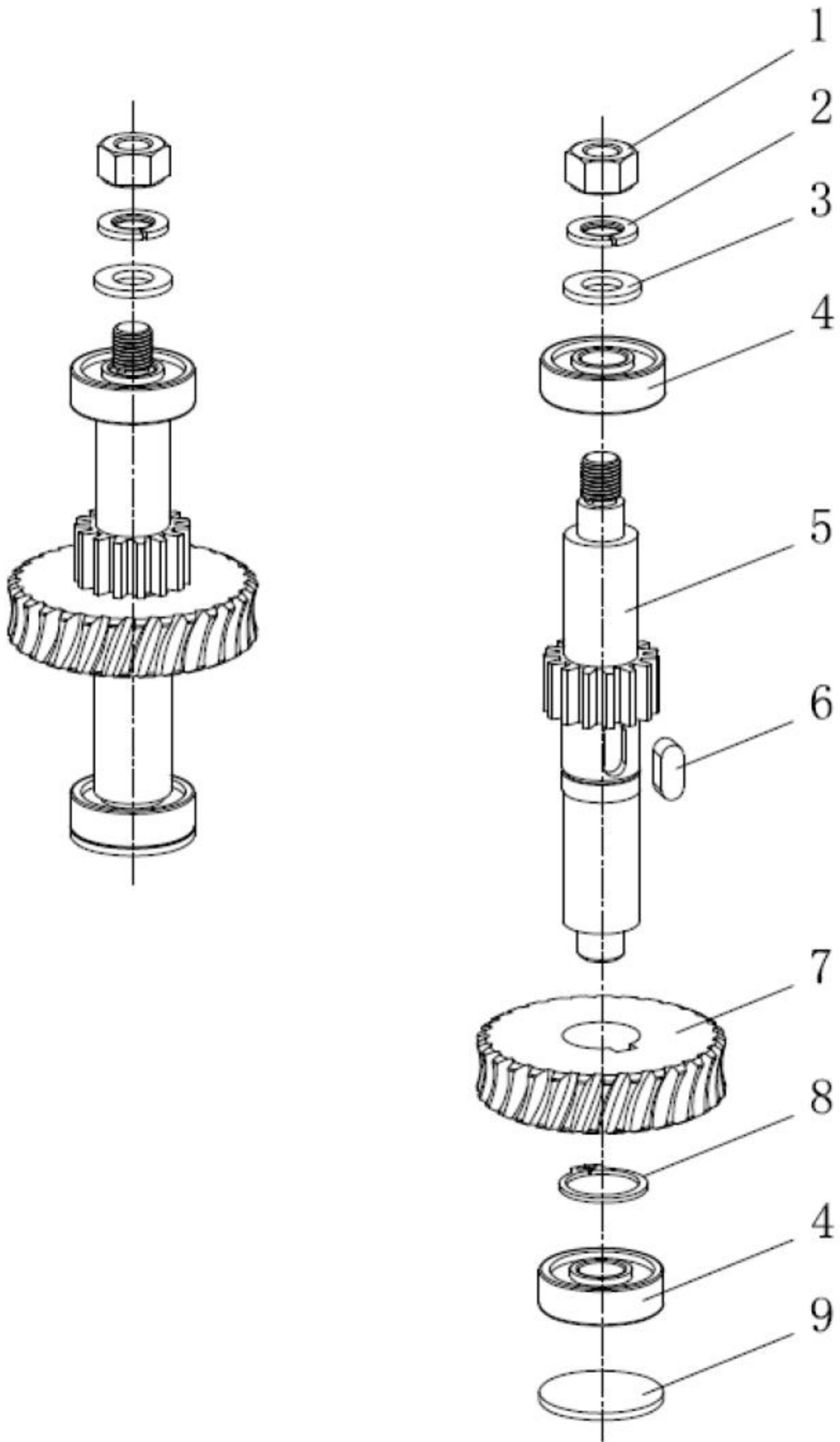


Notes :

1. Repair & disassembly must be in these sequences: center shaft - gear shaft - wheel shaft.
2. Assembly sequences are wheel shaft - gear shaft - center shaft .
3. When repairing & disassembling the gear shaft and wheel shaft, please beat them (there is a small hole below the body) from down to up, and before putting them into the #11 gear shaft gasket, please use sealant to avoid oil leak.
4. After repair, please check whether there are any other sundries in the gear box before filling with lubricaton grease.

TECHICAL PARAMETER SUBJECT TO CHANGE WITHOUT NOTICE

7 Worm Gear Assembly For 10/20Lt Series

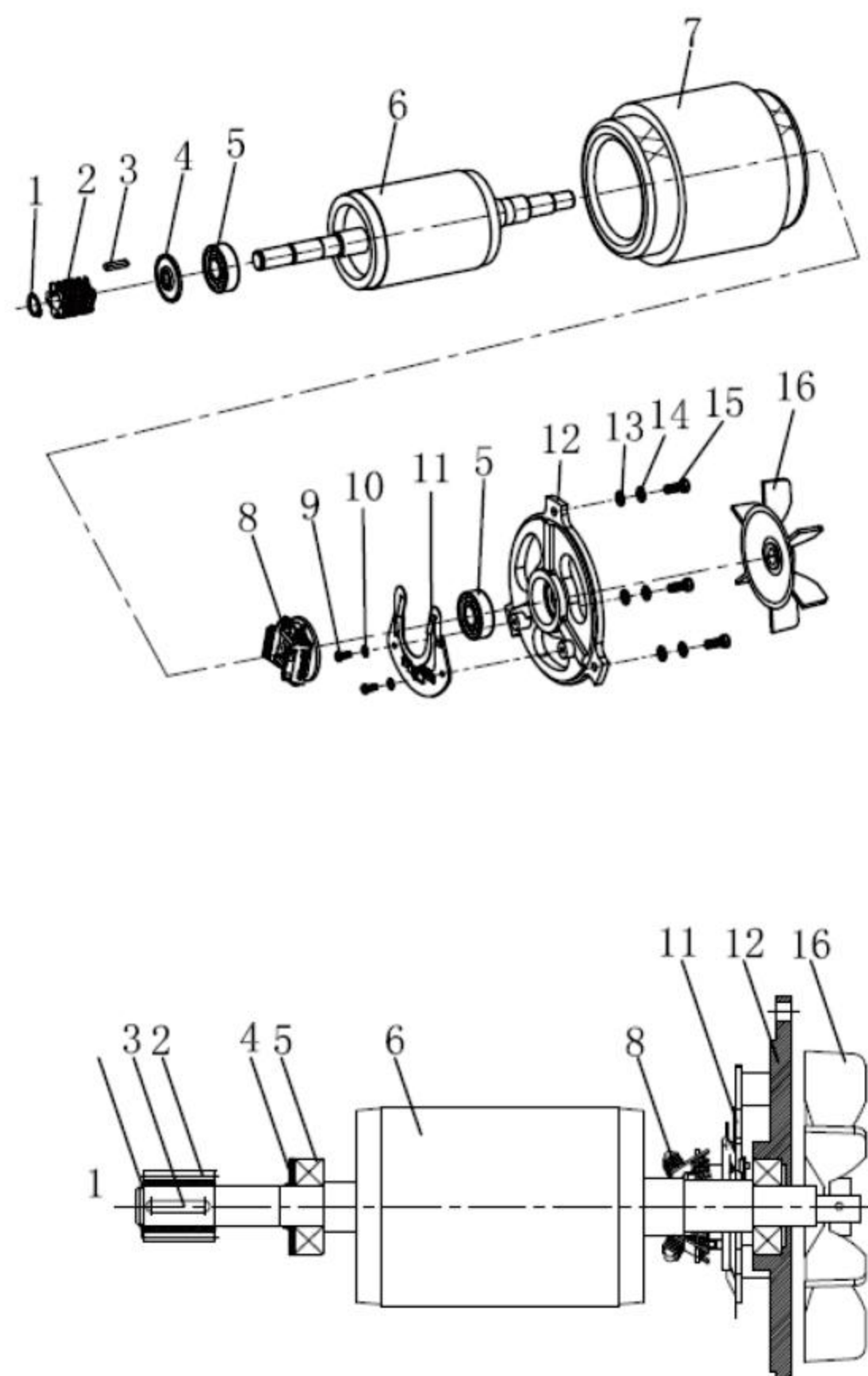


No.	Name	Qt.	Note
1	Hexnut	1PCS	
2	Spring Washer	1PCS	
3	Flat gasket	1PCS	
4	Bearing	2PCS	
5	Worm shaft	1PCS	
6	Flat key	1PCS	
7	Worm gear	1PCS	
8	Washer on shaft	1PCS	
9	Gear shaft gasket	1PCS	

Notes :

Before repairing & assembling the machine, please check whether the #8 washer on shaft can be use, if it is out of shape or becomes bigger, please replace it .

8 Motor Assembly For 10/20Lt Series

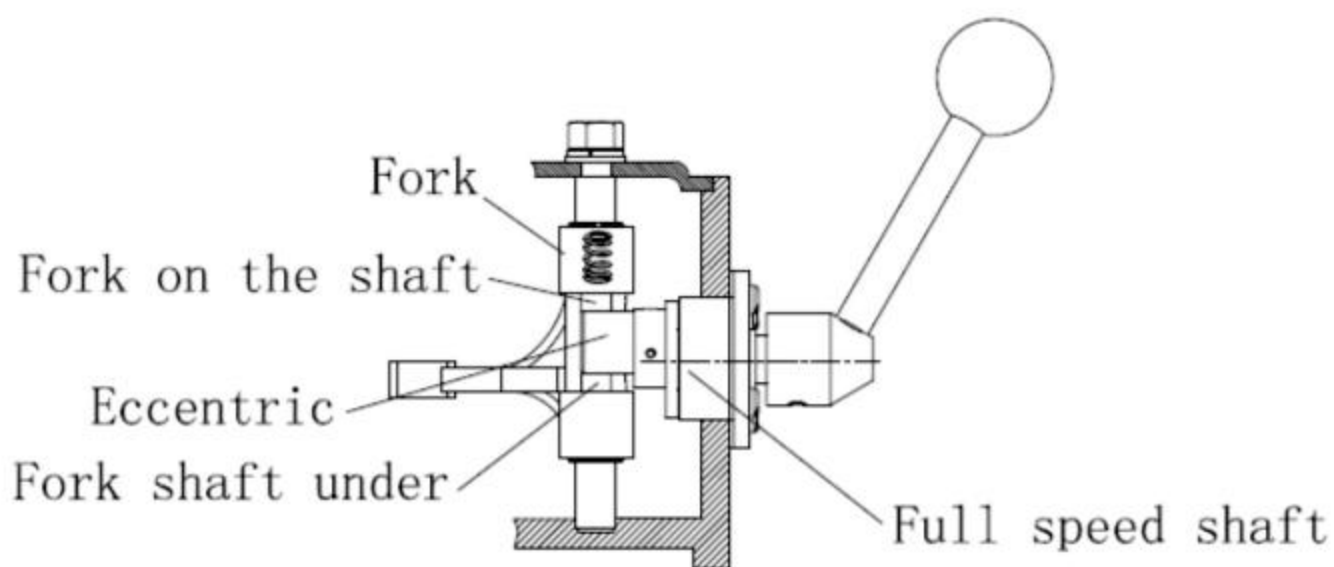
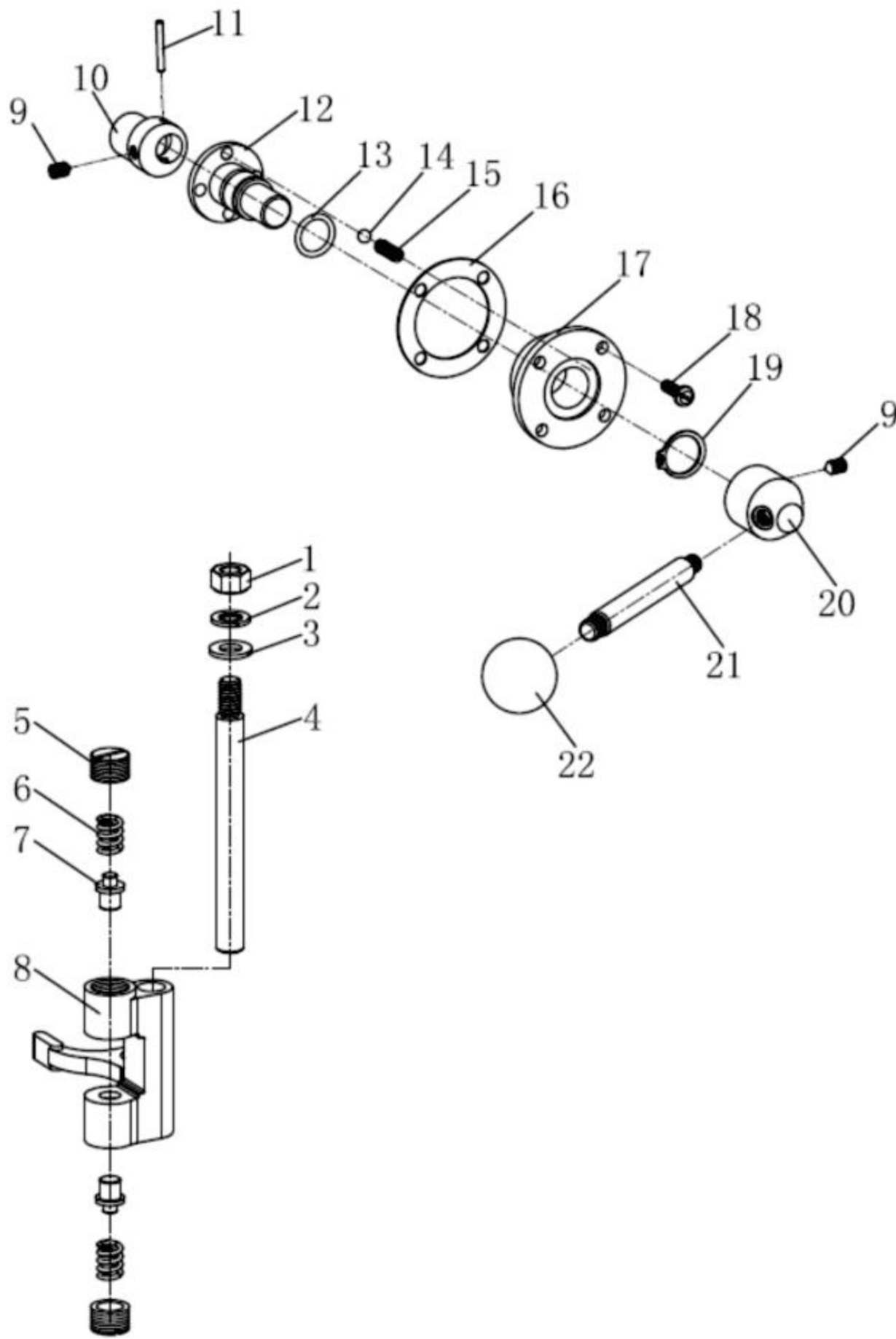


No.	Name	Qt.	Note
1	Washer on shaft	1PCS	
2	Worm	1PCS	
3	Key	1PCS	
4	Oil seal	1PCS	
5	Bearing	2PCS	
6	Motor rotor	1PCS	
7	Motor stator	1PCS	
8	Centrifugal switch	1PCS	
9	Screw	2PCS	
10	Flat gasket	2PCS	
11	Centrifugal switch plate	1PCS	
12	Back bearing cover	1PCS	
13	Flat gasket	3PCS	
14	Spring washer	3PCS	
15	Screw	3PCS	
16	Fan	1PCS	

Notes :

1. After repairing the motor, if it does not work right, please first check the power supply and the cable. Then please check whether the wire connection is right. And please check whether the capacitor is damaged, whether the centrifugal switch contact is right, and whether the loading of bowl is too much.
2. The motor is included the stator, rotor and rotor shaft.
3. If needing to replace the motor, please take down the stator by using the special tools. After repair, please install the stator carefully.
4. If finding oil leaks in the motor, please replace the #4 oil seal.

9 Transmission fork assembly For 10/20Lt Series

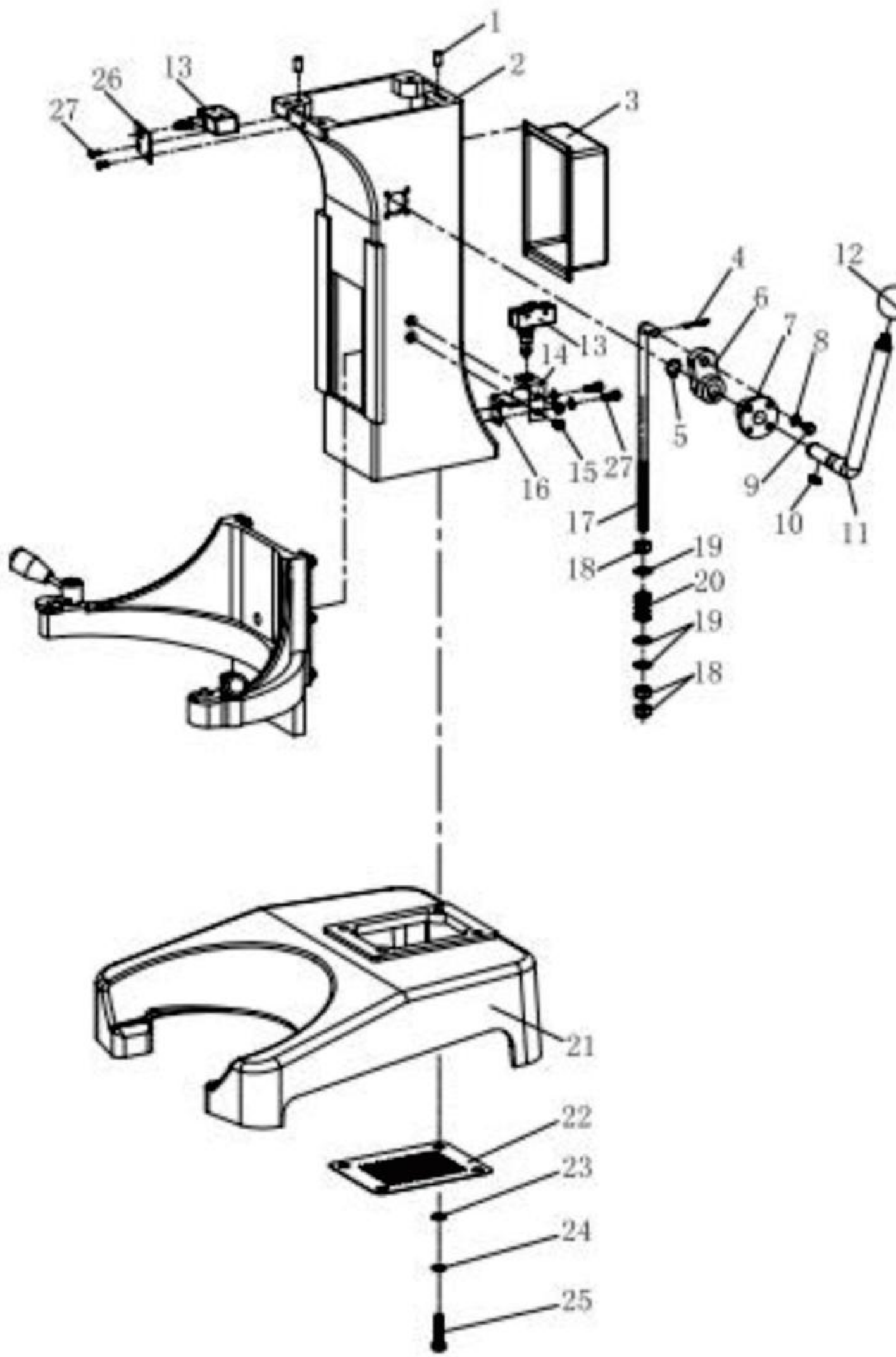


No.	Name	Qt.	Note
1	Hexnut	1PCS	
2	Spring washer	1PCS	
3	Flat gasket	1PCS	
4	Fork shaft	1PCS	
5	Fork screw	2PCS	
6	Fork spring	2PCS	
7	Fork axis	2PCS	
8	Fork	1PCS	
9	Taper screw	2PCS	
10	Offset cover	1PCS	
11	Pin	1PCS	
12	Transmission shaft	1PCS	
13	O oil seal	1PCS	
14	Steel ball	4PCS	
15	Spring	4PCS	
16	Paper oil seal or oil seal	1PCS	
17	Transmission base	1PCS	
18	Screw	4PCS	
19	Washer on shaft	1PCS	
20	Transmission handle base	1PCS	
21	Transmission handle	1PCS	
22	Transmission handle ball	1PCS	

Notes :

If the machine is used for a long time, the #7 fork axis & #10 Offset cover will be abraded severely, then the transmission will be ineffective and the transmission shaft will be shaken during the machine working. If finding these problems, please replace the #7 fork axis and #10 offset cover.

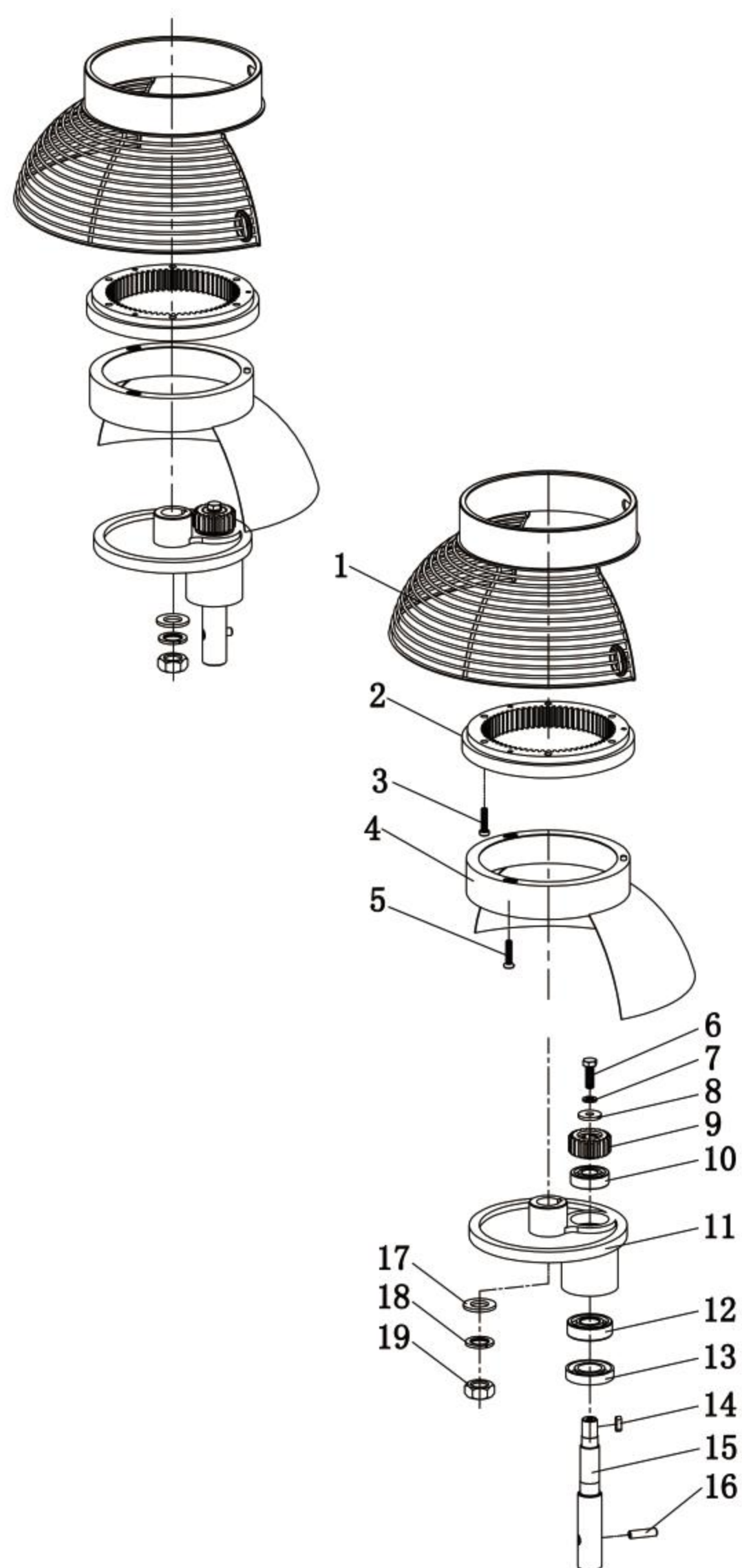
10 Base, Pedestal, Bowl Up and Down System For 10/20Lt Series



No.	Name	Qt.	Note
1	Pin	2PCS	
2	Pedestal	1PCS	
3	Electric box	1PCS	
4	Splitpin	1PCS	
5	Washer on shaft	1PCS	
6	Brace	1PCS	
7	Frame	1PCS	
8	Washer	4PCS	
9	Screw	4PCS	
10	Key	1PCS	
11	Up and down handle	1PCS	
12	Handle ball	1PCS	
13	Position switch	1PCS	
14	Up and down switch frame	1PCS	
15	Screw	2PCS	
16	Position switch paddle	1PCS	
17	Curved tie rod	1PCS	
18	Nut	3PCS	
19	Flat gasket	3PCS	
20	Bowl support spring	1PCS	
21	Base	1PCS	
22	Mouse prevent guard	1PCS	
23	Flat gasket	4PCS	
24	Spring washer	4PCS	
25	Screw	4PCS	
26	Position switch frame	1PCS	
27	Cup head screw	1PCS	

TECHICAL PARAMETER SUBJECT TO CHANGE WITHOUT NOTICE

11 Planetary Base, Mixing Shaft System For 10/20Lt Series

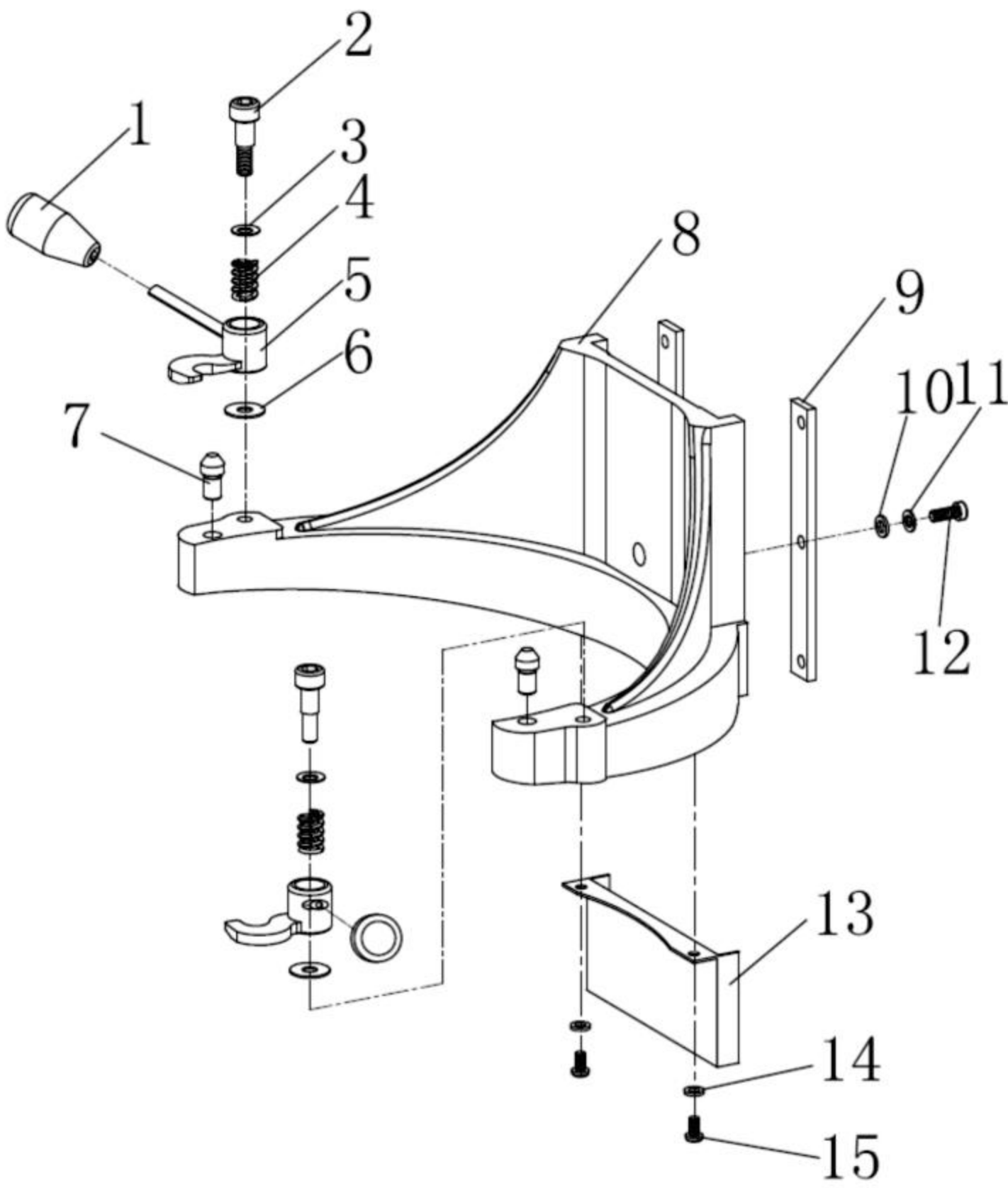


No.	Name	Qt.	Note
1	Protective mesh	1PCS	
2	Internal gear	1PCS	
3	Screw	6PCS	
4	Protective net fixed part	1PCS	
5	Sunk screw	1PCS	
6	Screw	1PCS	
7	Spring washer	1PCS	
8	Washer	1PCS	
9	Planetary gear	1PCS	
10	Bear	1PCS	
11	Planetary base	1PCS	
12	Bearing	1PCS	
13	Oil seal	1PCS	
14	Key	1PCS	
15	Mixing shaft	1PCS	
16	Pin	1PCS	
17	Washer	1PCS	
18	Spring washer	1PCS	
19	Nut	1PCS	

Notes :

When the machine is working, if there's noise in the #8 planetary base, maybe the #1 internal gear is loose, please take down the #8 planetary base and tighten the #2 screw.

12 Bowl Support System For 10/20Lt Series

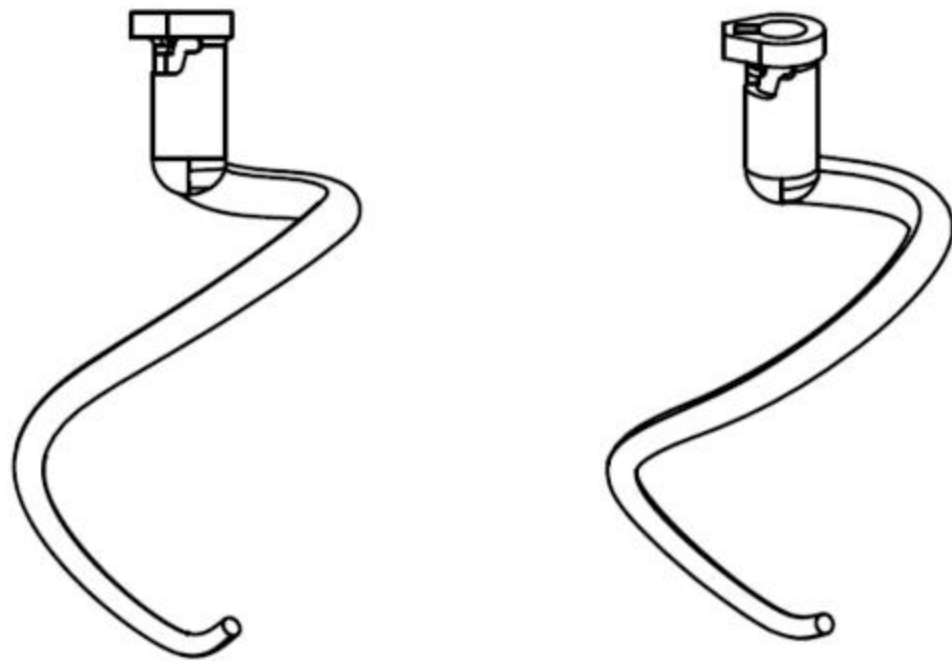


No.	Name	Qt.	Note
1	Bowl locked handle cover	2PCS	
2	Bowl locked handle screw	2PCS	
3	Washer	2PCS	
4	Bowl locked handle Spring	2PCS	
5	Bowl locked handle (R &L)	2PCS	
6	Bowl locked handle Washer	2PCS	
7	Bowl pin	2PCS	
8	Bowl support	1PCS	
9	Flat plate	2PCS	
10	Flat gasket	6PCS	
11	Spring washer	6PCS	
12	Screw	1PCS	
13	Pedestal down safety plate	1PCS	
14	Flat gasket	2PCS	
15	Cup head screw	2PCS	

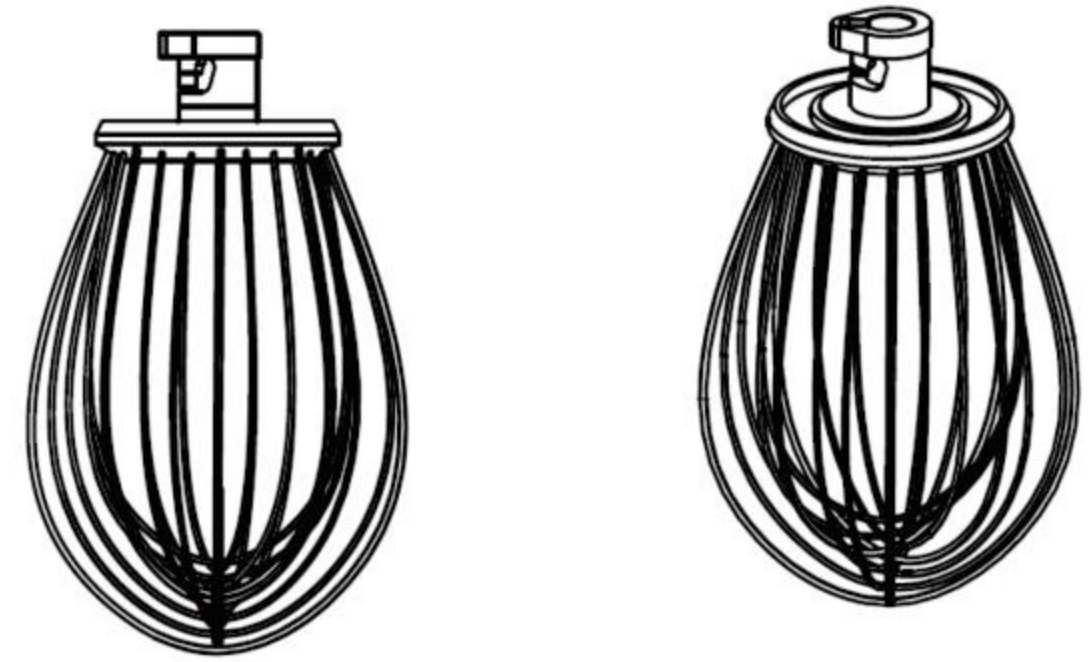
Notes :

Please take down the mixing parts & open the bowl locked handles before taking down the bowl.

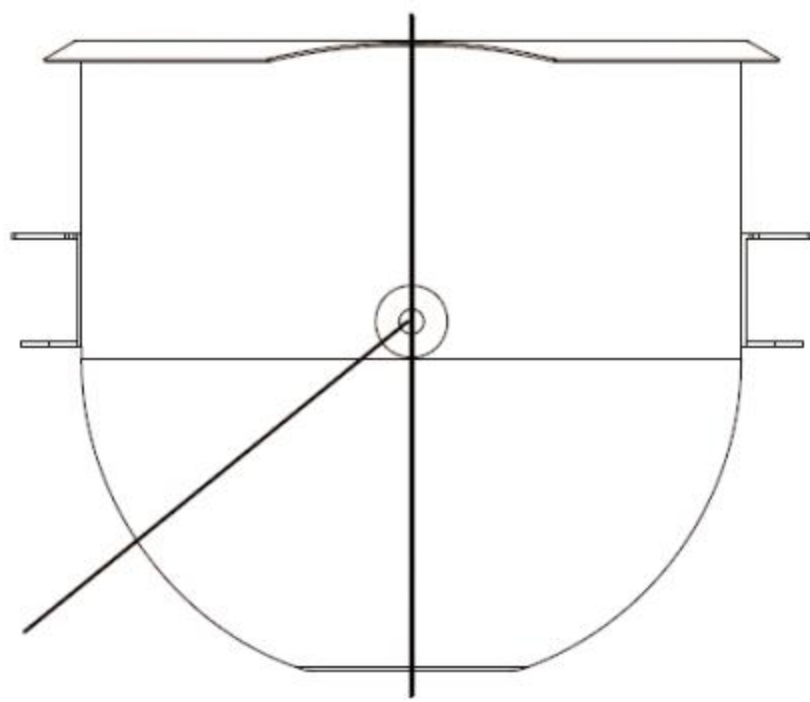
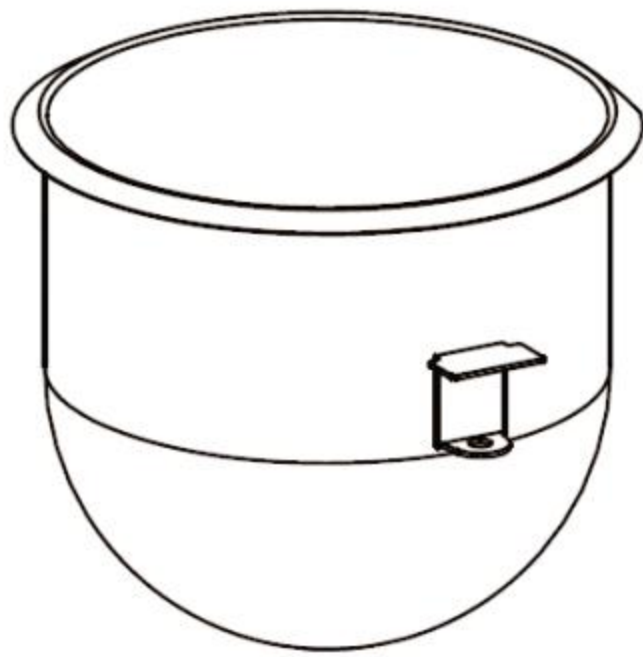
13 Standard Parts For 10/20Lt Series



Dough hook

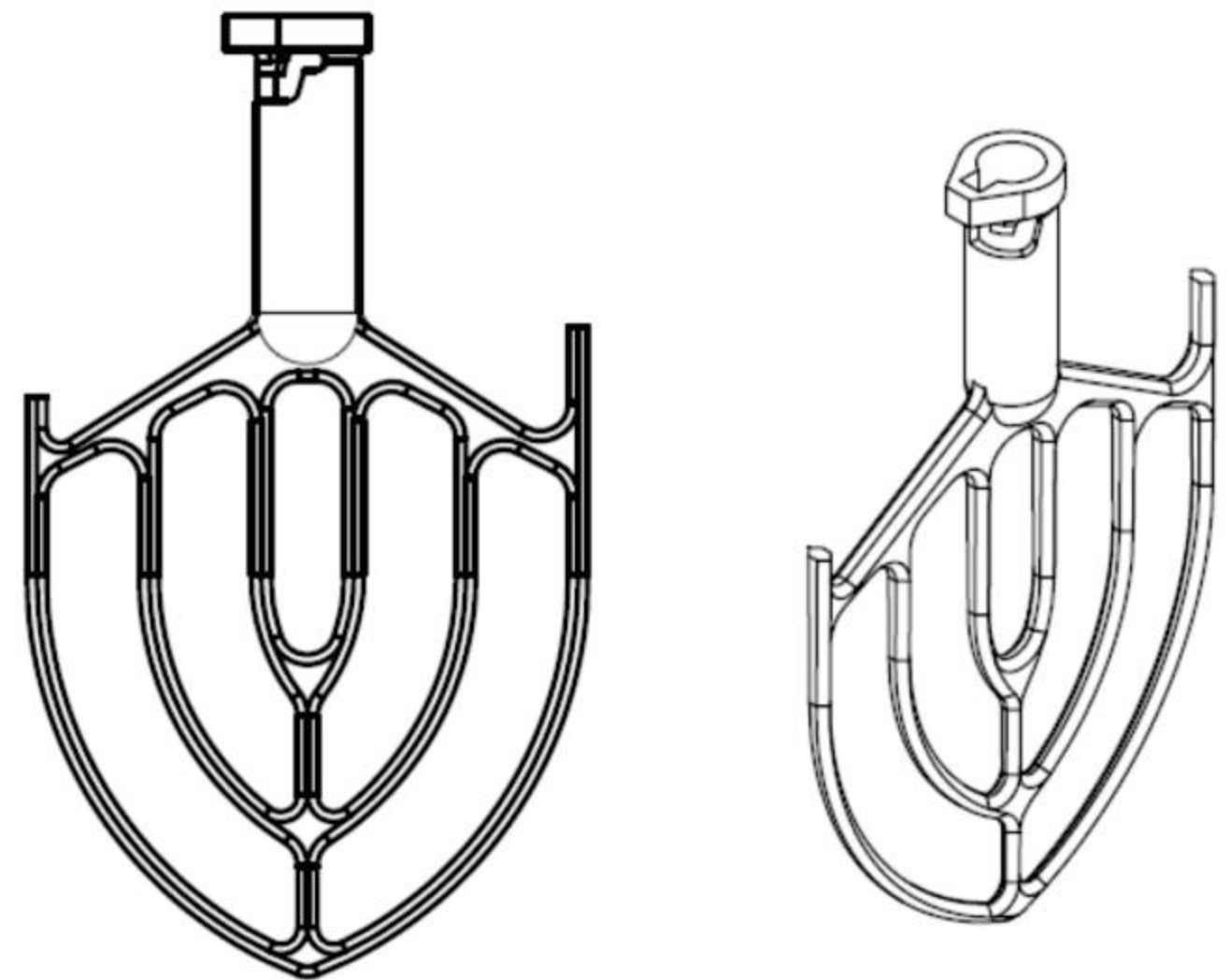


Egg Beater



Positioning pin

Mixing bowl

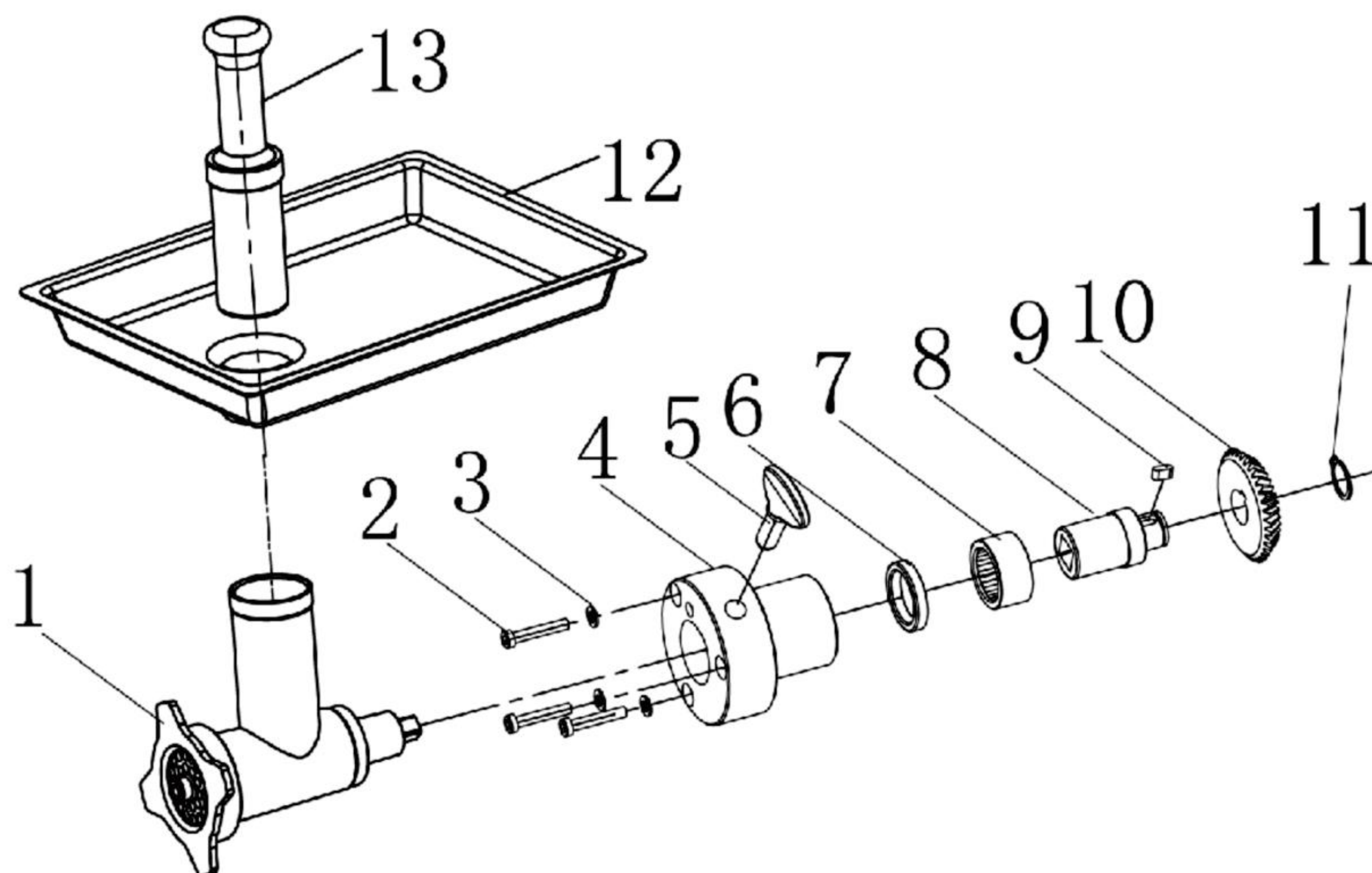


Flat Beater

Notes :

1. When installing the dough hook, egg beater and flat beater to the mixing shaft, please hold and push up the shaft, then rotate clockwise and pull down. If wanting to take out these mixing parts, please hold and push up the shaft, then rotate anti-clockwise to the slot and pull down.
2. The positioning pin of mixing bowl must be rightly installed to bowl support hole.

14 Meat Grinder System (Optional) For 10/20 Lt Series

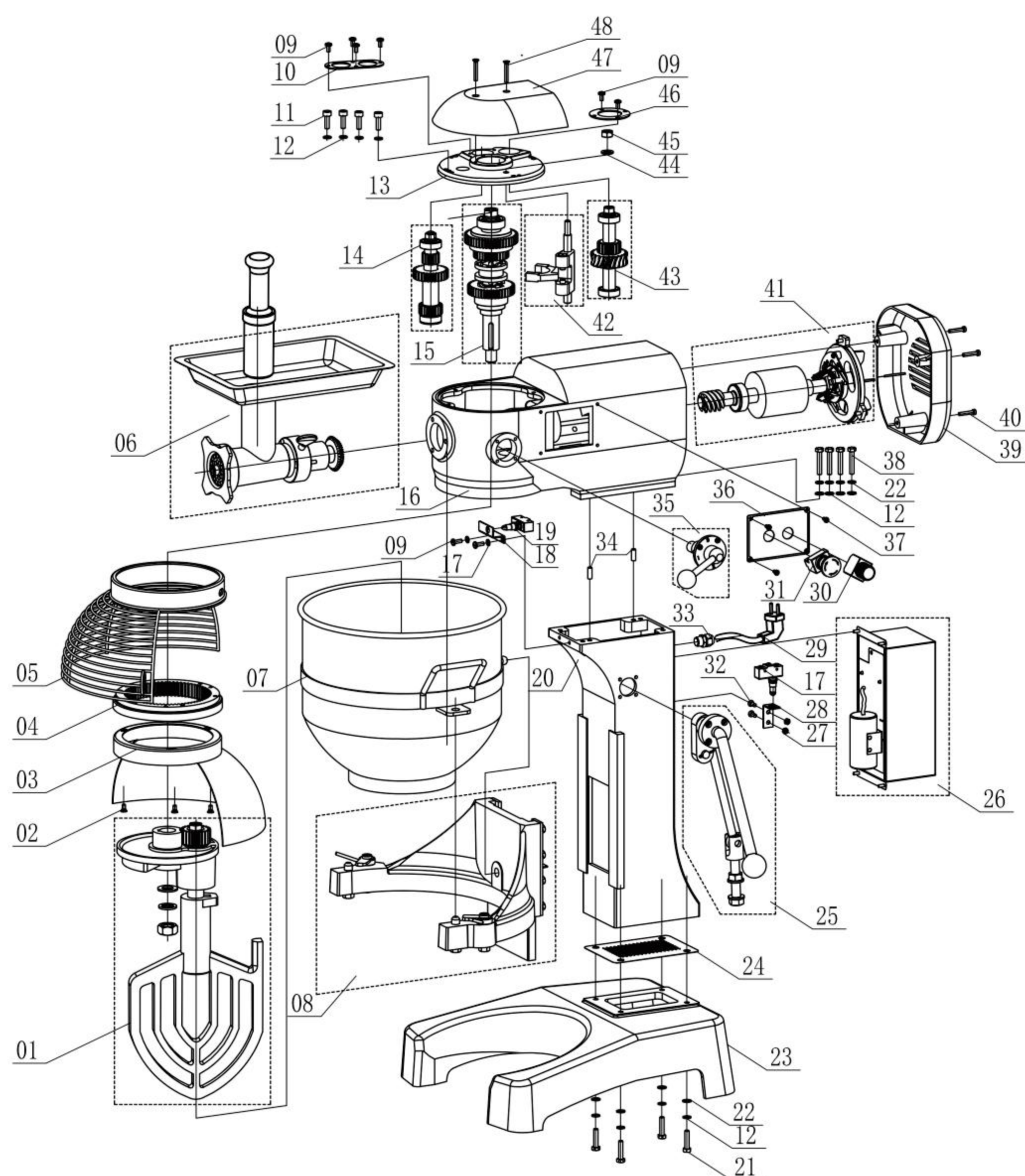


Notes :

1. For the meat grinder function system set, please refer to our meat grinder TC12 instruction manual.
2. It's an optional function. Please make sure whether you need it.

No.	Name	Qt.	Note
1	Grinder set	1PCS	
2	Screw	3PCS	
3	Washer	3PCS	
4	4 function joint	1PCS	
5	Locked screw	1PCS	
6	Oil seal	1PCS	
7	Bearing	1PCS	
8	4 function connector for grinder	1PCS	
9	Key	2PCS	
10	Small Bevel gear	1PCS	
11	Splitpin	1PCS	
12	Meat tray	1PCS	
13	pusher	1PCS	

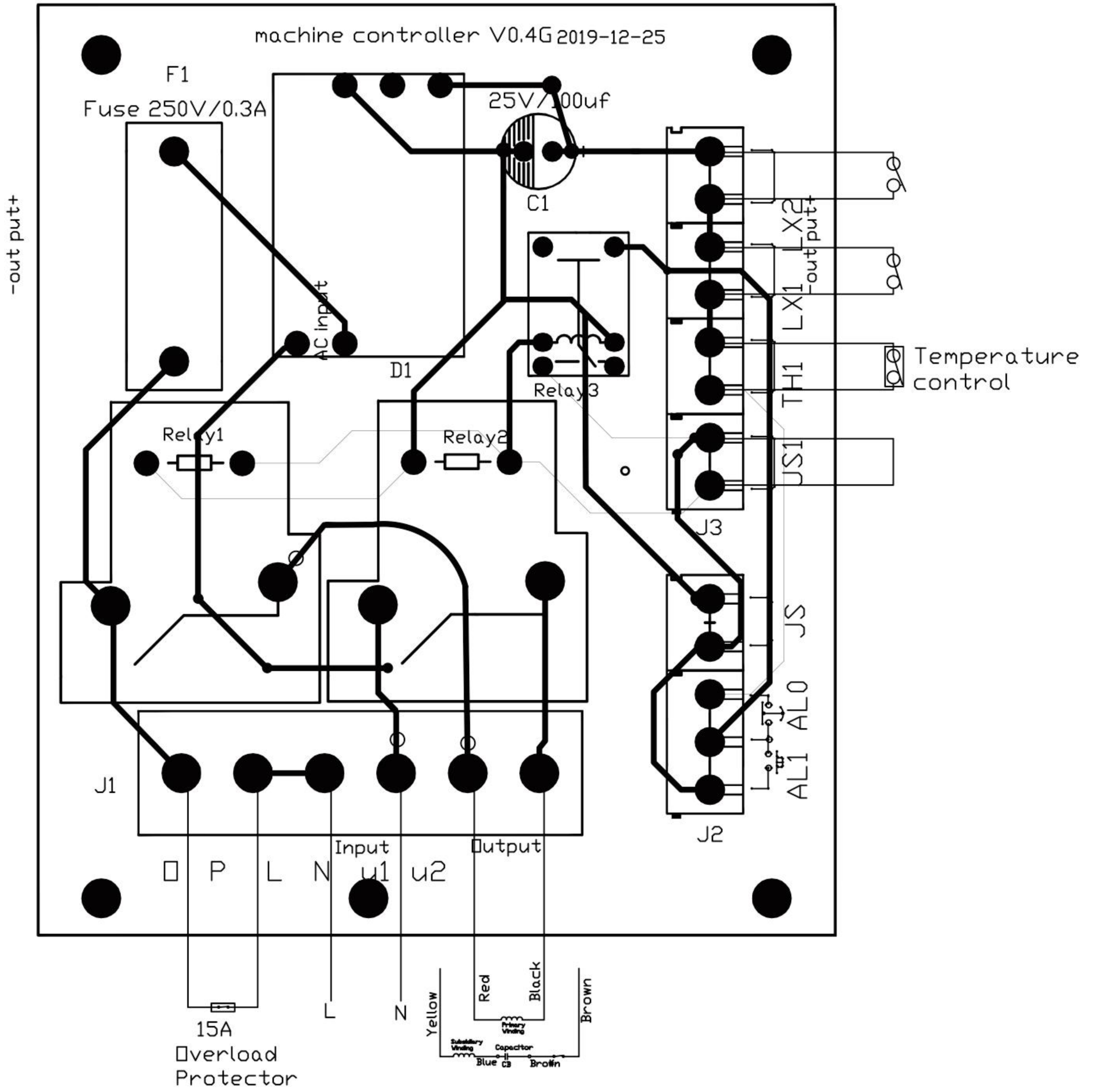
15 Exploded View For 30Lt Series



48	Screw	32	Screw	16	Body
47	Top Cover	31	Emergency switch	15	Center shaft assembly
46	Center hole Piece	30	Start switch	14	Gear shaft assembly
45	Hexnut	29	Power core	13	Bearing seat cover
44	Spring washer	28	Lift switch frame	12	Spring washer
43	Worm gear assembly	27	Hexnut	11	Screw
42	Fork shaft assembly	26	Electric box (full set)	10	Double orifice piece
41	Motor assembly	25	Lift handle (full set)	9	Cup head screw
40	Screw	24	Mouse orevent guard	8	Bowl support assembly
39	Back fan cover	23	Base	7	Bowl
38	Screw	22	Flat gasket	6	Grinding head assembly
37	Cup head screw	21	Outer hexagonal screw	5	Moved protect cover
36	Name Plate	20	Upright	4	Internal Gear
35	Transmission shaft assembly	19	Position switch	3	Fixed protect cover
34	Round pin	18	Lid switch frame	2	Screw
33	Power cord bush	17	Flat gasket	1	Turn a stirring shaft assembly

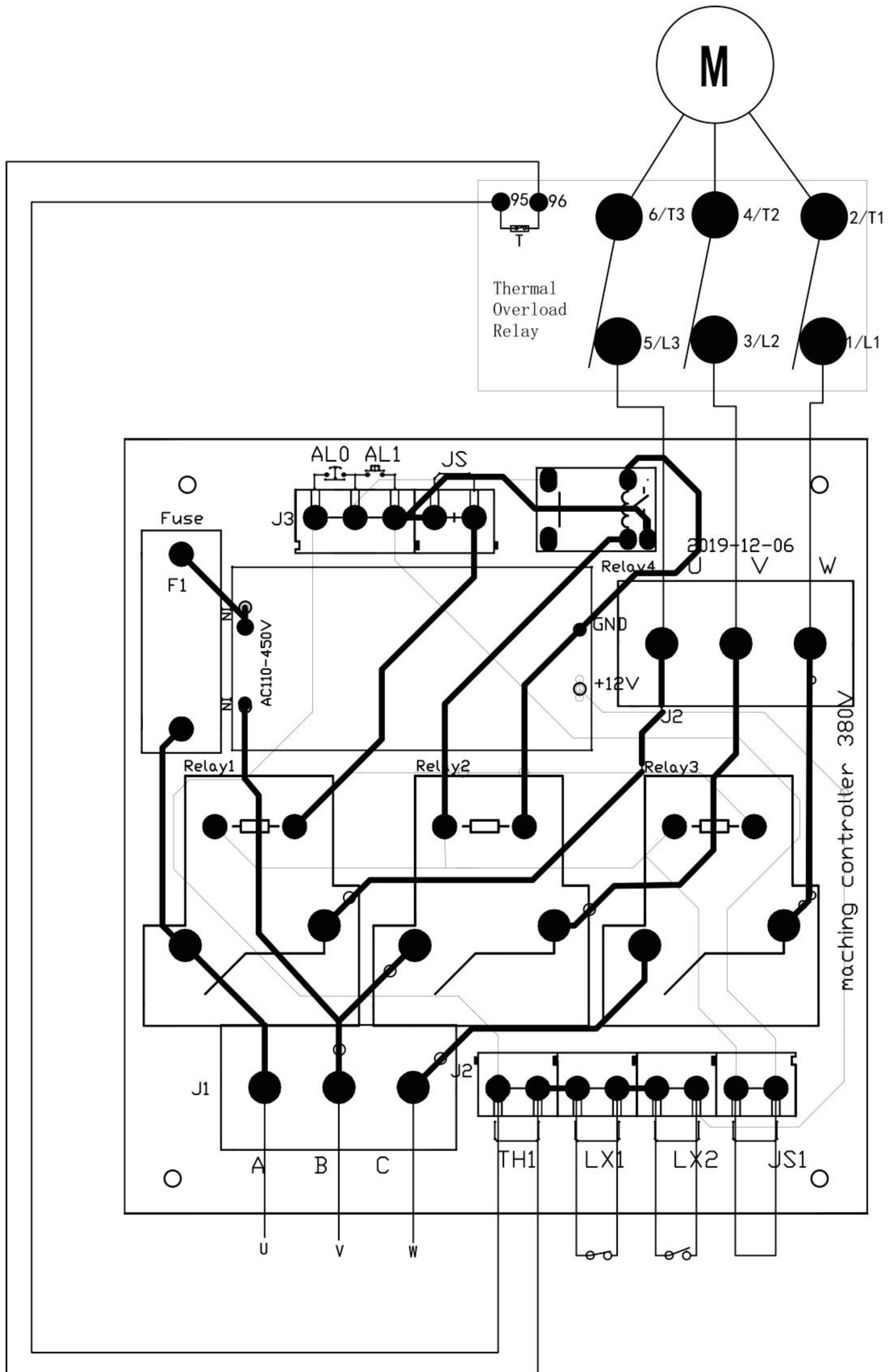
TECHICAL PARAMETER SUBJECT TO CHANGE WITHOUT NOTICE

16 Single Phase Electrical Wiring Diagram For M10A/M20A/M30A, M10A-4/M20A-4/M30A-4



TECHICAL PARAMETER SUBJECT TO CHANGE WITHOUT NOTICE

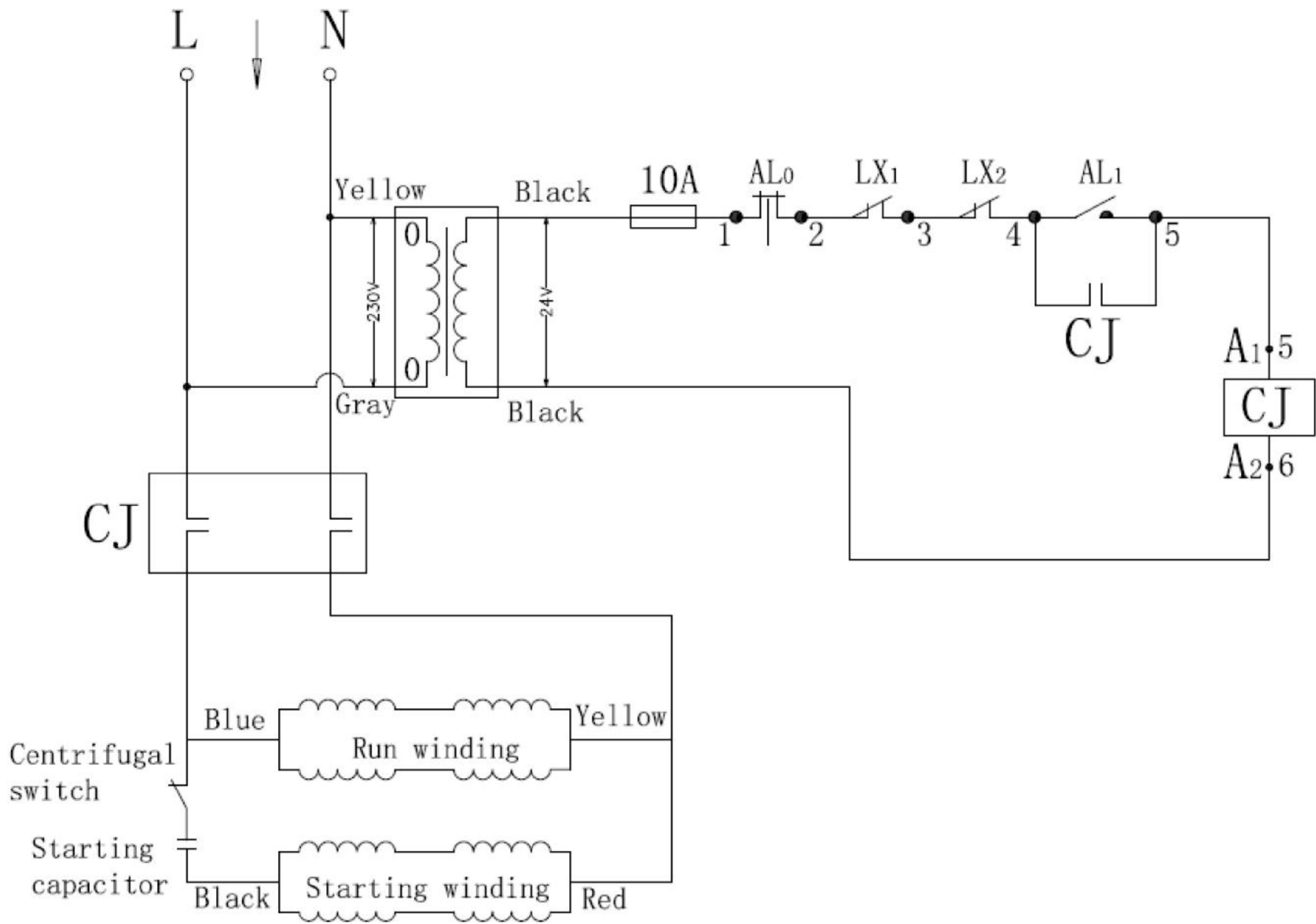
17 Three Phase Electrical Wiring Diagram For M10A/M20A/M30A, M10A-4/M20A-4/M30A-4



TECHICAL PARAMETER SUBJECT TO CHANGE WITHOUT NOTICE

18 Route Map For M10(B)/20(B)/30(B), B10(B)/20(B)/30(B)

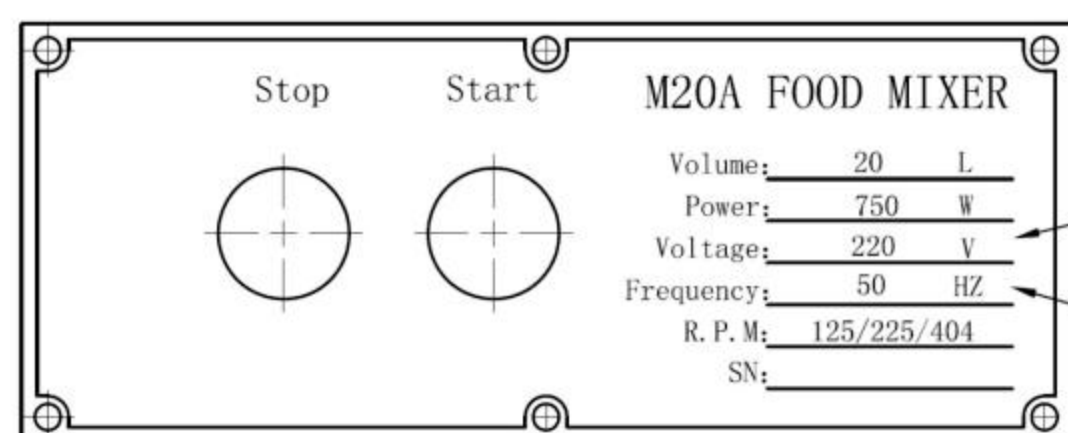
ON OFF



Notes :

- CJ — AC contactor
- AL0 — Emergency stop switch
- AL1 — Start Switch
- LX1, LX2 — Micro Switch

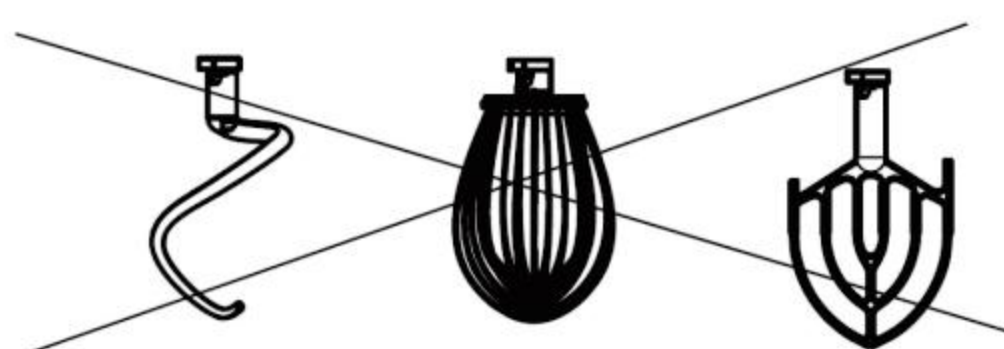
19 Operation



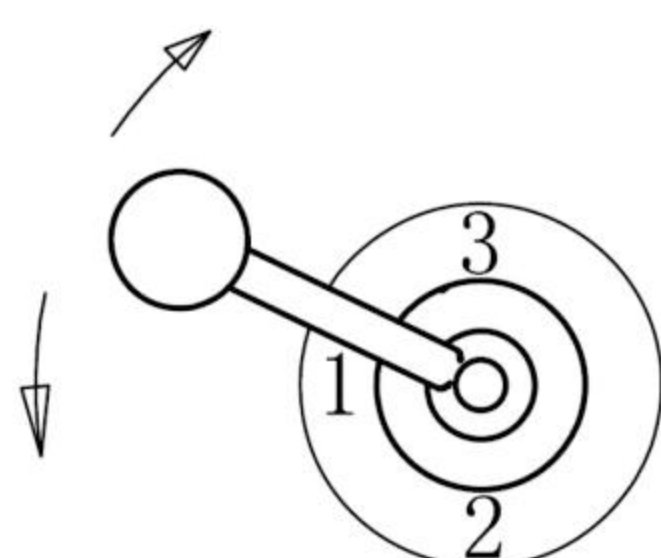
Power
Voltage

Please check whether your power supply voltage and frequency are the same as the label indicates before use. And check whether the external ground wire is firm.

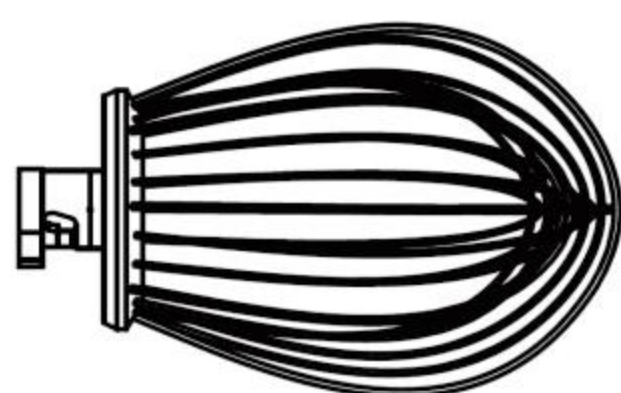
Can't be installed before testing



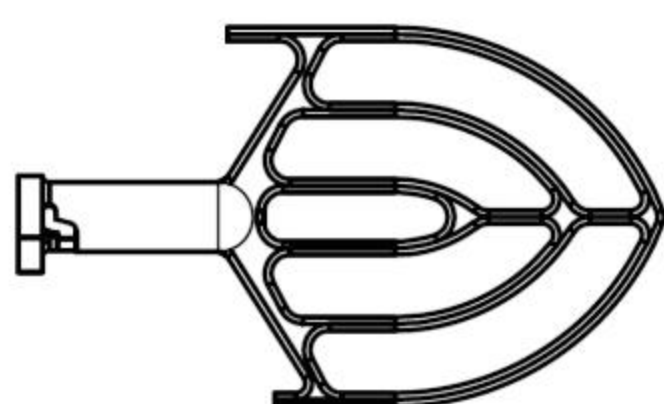
1. Please don't install any mixing parts before testing the machine. Otherwise they will damage the machine because of the wrong turning direction.
2. For 3-phase machine, please stop immediately if finding the directions of the planetary base and the arrow mark are different. And ask the electrician to connect the wire and make the planetary base and the arrow mark in the same direction.



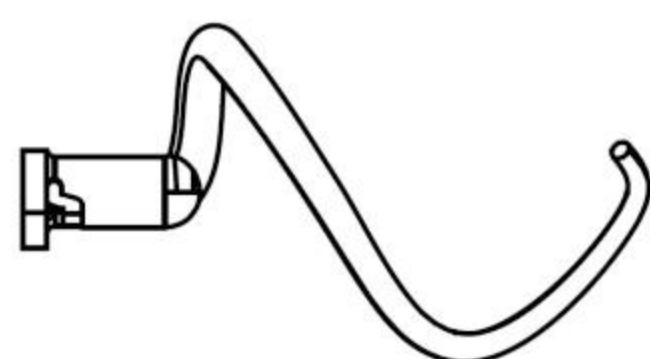
1. When the machine is in no-load testing, you can change the gear but without stopping it.
2. When the machine is in load running, please stop it if wanting to change the gear. If the handle is not in the right position, please rotate the planetary base clockwise with hands, then you can easily change the speed you need.
3. Speed 1: 125RPM / Speed 2: 225RPM / Speed 3: 404RPM



1. Gear 3, 404RPM (High speed)
2. Using high speed to mix egg, milk cream, etc., but each continuous working time is not more than 20min.




1. Gear 2, 225RPM (Middle speed)
2. Using middle speed to mixer the stuff, paste etc., but each continuous working time is not more than 25min.



1. Gear 1, 125RPM (Low speed)
2. Using low speed to mix the flour, with the water rate is between 45% to 55%, but each continuous working time is not more than 30min.

TECHICAL PARAMETER SUBJECT TO CHANGE WITHOUT NOTICE

20 Attention

1. Please check whether your power supply voltage and frequency are the same as the label indicates before use.
2. Please connect the equipotential ground terminal () to the ground wire before use. Please install it back after repair.
3. Please fix and install right before using the machine. Please make sure that there is an safety working area.
4. Everything in contact with the food parts is need to be cleaned before use (bowl, egg beater, beater and hook). Please pay attention to avoid hurting hands by the sharp points of some parts. Don't use water pipe to spray and clean the mixer body.
5. The positioning pin of mixing bowl must be rightly installed to the bowl support hole.
6. When choosing egg beater, beater or hook, please choose the corresponding speed according to the insturction of operation and transmission base. Otherwise it will damage the internal parts or shortage the machine life.
7. Please keep the children away from the running machine.
8. Do not touch the switches and power with wet hands.
9. When using the machine, please stop it immediately if hearing an abnormal sound suddenly. Please find the professional staffs to check and repair it.
10. After using the mixer, please clean the bowl and the mixing parts, and put them in the safe & hyginic place. Then please cut down the power supply.
11. Please always check whether the power cord is damaged. And if so, please find the professional staffs to replace it.
12. Please keep the surroundings dry, hyginic and safety.

21 Fault Handling and Technical Parameters

Fault phenomenon	Fault cause	Trouble shooting method
Pressing the start switch, but the machine is not running.	Power supply goes wrong.	1. Check the power cord. 2..Check whether the power supply fits the label shows.
	Electric contact goes wrong.	1. Check whether the emergency stop switch is open. 2. check whether the net safety switch is in place. 3.Check whether the lifting safety switch of bowl support is in place.
The motor is overheated and rotating speed is reduced.	The voltage is in-sufficient.	Check whether the voltage fits the label indicates.
	The mixing speed is selected inappropriately.	Select the appropriate gear speed according to the instruction.
The gear box is noisy and overheated.	The lubrication is poor.	Add grease.
The lift is heavy.	Guide rails are rusty or sticky.	Clean and lubricate the guide rails.
The mixing parts collide with the bowl.	The mixing parts and the bowl are deformed.	Correct the mixing parts and the bowl, or replace them.
The motor is running, but no high, middle and low speed on the mixing shaft.	The flat key on Worm bush is bad.	Replace the flat key.
	The worm wheel or its flat key is bad.	Replace the worm wheel or its flat key.
	The worm wheel shaft is broken.	Replace the worm wheel shaft.
	The gear shaft is broken.	Replace the gear shaft.
With high & middle speed, but no low speed.	The gear is bad.	Replace the ring gear.
	The clutch spring is bad.	Replace the clutch spring.
	The clutch steel column is bad.	Replace the clutch steel column.
The center axis is oil leaked.	The cener axis oil seal is bad.	Replace the center axis oil seal.
	The center axis O oil seal is bad.	Replace the center axis O oil seal.

TECHICAL PARAMETER SUBJECT TO CHANGE WITHOUT NOTICE

WARRANTY REGISTRATION
RELEASE TYPE OR PRINT CLEARLY



NAME _____

ADDRESS _____

CITY _____ STATE _____ ZIP CODE _____

PHONE _____ PURCHASE DATE _____

PRODUCT MODEL: _____

Purchased for: Commercial use Personal use Other

Purchased by: _____

Products purchased from: Store Internet

THIS CARD MUST BE SENT TO THE STORE WHERE YOU
PURCHASED TO VALIDATE WARRANTY

WARRANTY REGISTRATION
RELEASE TYPE OR PRINT CLEARLY



NAME _____

ADDRESS _____

CITY _____ STATE _____ ZIP CODE _____

PHONE _____ PURCHASE DATE _____

PRODUCT MODEL: _____

Purchased for: Commercial use Personal use Other

Purchased by: _____

Products purchased from: Store Internet

THIS CARD MUST BE SENT TO THE STORE WHERE YOU
PURCHASED TO VALIDATE WARRANTY