

MTRJ Adapter

Fiber optic adapter is to achieve the same or different optical fiber connectors docking in optical links make the light path connected under the small loss. It is to put the fiber of two surface precision docking, so that the optical output of light energy to the maximum coupling in the receiving optical fiber, and since it entered the optical link to minimize the effects on the system. Widely used in optical fiber distribution frame (ODF), fiber optic communications equipment, instruments, etc., superior performance, stable and reliable.

Application

- CATV, and Multimedia
- Gigabit Ethernet
- Industrial and medical
- Asynchronous Transmission Mode (ATM)
- Active device interface
- Interconnection for O/E modules
- Premise installations
- Premise installations
- Data processing networks
- Optical switch interframe connection


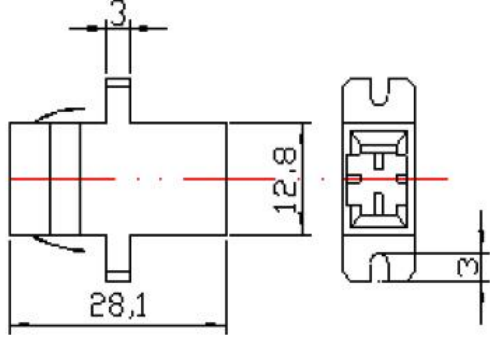

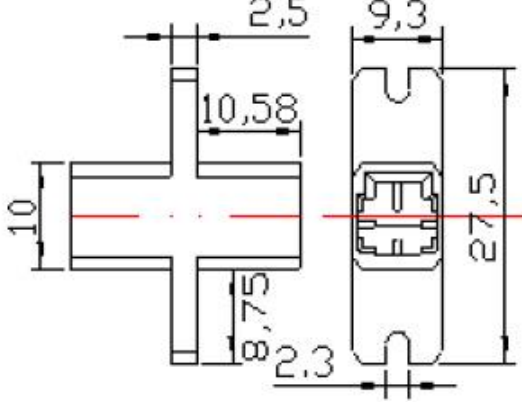
Features

- Low insertion loss and back reflection loss
- High precision alignment
- Compact design

SPECIFICATIONS

Insertion Loss	< 0.20dB
Durability	< 0.20 dB typical change, 1000 matings
Operating Temperature	-40°C to + 85°C

Order Information

PIC	Outline Drawing	Description
 <p>MTRJ Beige Adapter</p>		<p>MTRJ Adapter, Beige, with flange</p>
PIC	Outline Drawing	Description
 <p>MTRJ Black Adapter</p>		<p>MTRJ Adapter, Black, with flange</p>

TECHNICAL SPECIFICATIONS / ESPECIFICACIONES TÉCNICAS

Connector Conector	Insertion Loss Pérdida de inserción		Return loss Pérdida de retorno		Durability Durabilidad	Operating Temperature Temp. de funcionamiento	Fiber Tipo de fibra
D4	SM	≤ 0.2 dB	PC	≥ 0.50 dB	≤ 0.2 dB typical change cambio típico / 1.000 matings apareamientos	-40 °C to/a + 80 °C	9/125 um (SM)
			APC	N/A			50/125 um (SM)
	MM	≤ 0.25 dB		N/A			62.5/125 um (SM)
DIN	SM	≤ 0.2 dB	PC	≥ 0.50 dB	≤ 0.2 dB typical change cambio típico / 1.000 matings apareamientos	-40 °C to/a + 80 °C	9/125 um (SM)
			APC	≥ 0.65 dB			50/125 um (SM)
	MM	≤ 0.25 dB		N/A			62.5/125 um (SM)
FC	SM	≤ 0.2 dB	PC	≥ 0.50 dB	≤ 0.2 dB typical change cambio típico / 1.000 matings apareamientos	-40 °C to/a + 80 °C	9/125 um (SM)
			APC	≥ 0.65 dB			50/125 um (SM)
	MM	≤ 0.25 dB		≥ 0.30 dB			62.5/125 um (SM)
LC	SM	≤ 0.2 dB	PC	≥ 0.50 dB	≤ 0.2 dB typical change cambio típico / 1.000 matings apareamientos	-40 °C to/a + 80 °C	9/125 um (SM)
			APC	≥ 0.65 dB			50/125 um (SM)
	MM	≤ 0.25 dB		≥ 0.30 dB			62.5/125 um (SM)
MTRJ	SM	≤ 0.5 dB	PC	≥ 0.45 dB	≤ 0.2 dB typical change cambio típico / 1.000 matings apareamientos	-40 °C to/a + 80 °C	9/125 um (SM)
			APC	N/A			50/125 um (SM)
	MM	≤ 0.3 dB		≥ 0.35 dB			62.5/125 um (SM)
MU	SM	≤ 0.2 dB	PC	≥ 0.50 dB	≤ 0.2 dB typical change cambio típico / 1.000 matings apareamientos	-40 °C to/a + 80 °C	9/125 um (SM)
			APC	≥ 0.65 dB			50/125 um (SM)
	MM	≤ 0.3 dB		≥ 0.30 dB			62.5/125 um (SM)
SC	SM	≤ 0.2 dB	PC	≥ 0.50 dB	≤ 0.2 dB typical change cambio típico / 1.000 matings apareamientos	-40 °C to/a + 80 °C	9/125 um (SM)
			APC	≥ 0.65 dB			50/125 um (SM)
	MM	≤ 0.25 dB		≥ 0.30 dB			62.5/125 um (SM)
ST	SM	≤ 0.2 dB	PC	≥ 0.50 dB	≤ 0.2 dB typical change cambio típico / 1.000 matings apareamientos	-40 °C to/a + 80 °C	9/125 um (SM)
			APC	N/A			50/125 um (SM)
	MM	≤ 0.25 dB		≥ 0.30 dB			62.5/125 um (SM)