



FC Adapter

KOC adapters are manufactured with high-quality sleeves and are available in bulkhead, male-female and also hybrid versions. Metal and plastic housings where suitable and UL94-V0 flame retardant also supplied if required.

Application

- CATV
- Metro
- Telecommunication networks
- Local Area Networks (LANs)
- Data processing networks
- Test equipment

Features

- Low insertion loss and back reflection loss
- NTT-FC Compatibility
- High precision alignment
- Choice of housing shape and sleeve material
- Compact design
- Nickel plated brass body
- Telcordia, ANSI, TIA/EIA, NTT and JIS compliance

AVAILABILITY

Round housing	Square housing	Oval housing
One-piece (solid) housing	Two-piece housing	Zirconia sleeve
PB sleeve	FC/PC	FC/APC


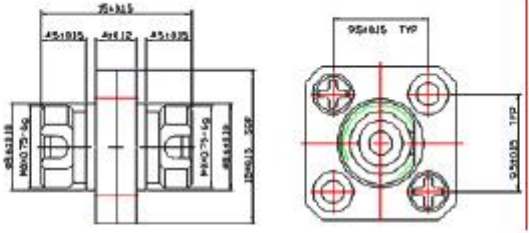

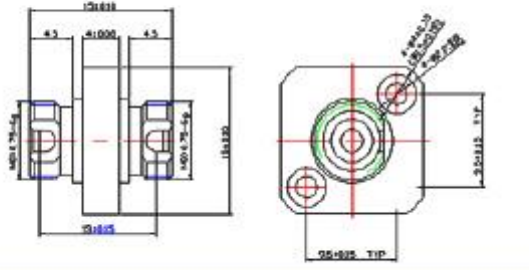

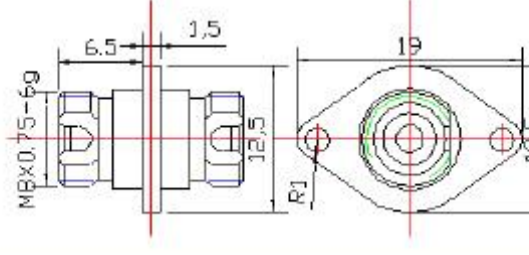

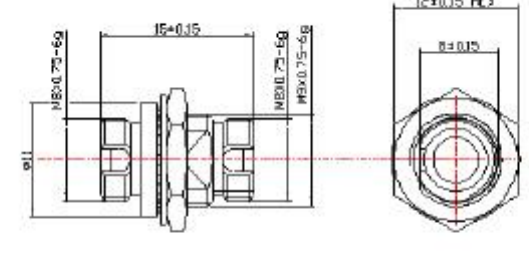

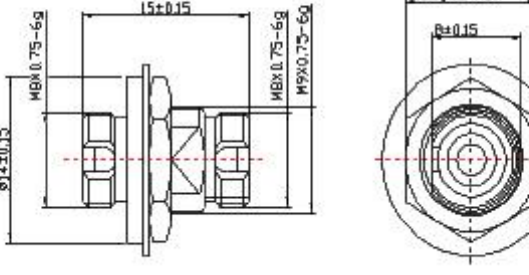
SPECIFICATIONS

Insertion Loss	< 0.20dB
Durability	< 0.20 dB typical change, 1000 matings
Operating Temperature	-40°C to + 85°C

ORDERING OPTIONS

Housing Shape	Housing Composition	Sleeve Material	Application
Square	One-piece	Zirconia	FC
Round (D-shape)	Two-piece	PB	FC/APC

Dimension

TECHNICAL SPECIFICATIONS / ESPECIFICACIONES TÉCNICAS

Connector Conector	Insertion Loss Pérdida de inserción		Return loss Pérdida de retorno		Durability Durabilidad	Operating Temperature Temp. de funcionamiento	Fiber Tipo de fibra
D4	SM	≤ 0.2 dB	PC	≥ 0.50 dB	≤ 0.2 dB typical change cambio típico / 1.000 matings apareamientos	-40 °C to/a + 80 °C	9/125 um (SM)
			APC	N/A			50/125 um (SM)
	MM	≤ 0.25 dB		N/A			62.5/125 um (SM)
DIN	SM	≤ 0.2 dB	PC	≥ 0.50 dB	≤ 0.2 dB typical change cambio típico / 1.000 matings apareamientos	-40 °C to/a + 80 °C	9/125 um (SM)
			APC	≥ 0.65 dB			50/125 um (SM)
	MM	≤ 0.25 dB		N/A			62.5/125 um (SM)
FC	SM	≤ 0.2 dB	PC	≥ 0.50 dB	≤ 0.2 dB typical change cambio típico / 1.000 matings apareamientos	-40 °C to/a + 80 °C	9/125 um (SM)
			APC	≥ 0.65 dB			50/125 um (SM)
	MM	≤ 0.25 dB		≥ 0.30 dB			62.5/125 um (SM)
LC	SM	≤ 0.2 dB	PC	≥ 0.50 dB	≤ 0.2 dB typical change cambio típico / 1.000 matings apareamientos	-40 °C to/a + 80 °C	9/125 um (SM)
			APC	≥ 0.65 dB			50/125 um (SM)
	MM	≤ 0.25 dB		≥ 0.30 dB			62.5/125 um (SM)
MTRJ	SM	≤ 0.5 dB	PC	≥ 0.45 dB	≤ 0.2 dB typical change cambio típico / 1.000 matings apareamientos	-40 °C to/a + 80 °C	9/125 um (SM)
			APC	N/A			50/125 um (SM)
	MM	≤ 0.3 dB		≥ 0.35 dB			62.5/125 um (SM)
MU	SM	≤ 0.2 dB	PC	≥ 0.50 dB	≤ 0.2 dB typical change cambio típico / 1.000 matings apareamientos	-40 °C to/a + 80 °C	9/125 um (SM)
			APC	≥ 0.65 dB			50/125 um (SM)
	MM	≤ 0.3 dB		≥ 0.30 dB			62.5/125 um (SM)
SC	SM	≤ 0.2 dB	PC	≥ 0.50 dB	≤ 0.2 dB typical change cambio típico / 1.000 matings apareamientos	-40 °C to/a + 80 °C	9/125 um (SM)
			APC	≥ 0.65 dB			50/125 um (SM)
	MM	≤ 0.25 dB		≥ 0.30 dB			62.5/125 um (SM)
ST	SM	≤ 0.2 dB	PC	≥ 0.50 dB	≤ 0.2 dB typical change cambio típico / 1.000 matings apareamientos	-40 °C to/a + 80 °C	9/125 um (SM)
			APC	N/A			50/125 um (SM)
	MM	≤ 0.25 dB		≥ 0.30 dB			62.5/125 um (SM)