



D4 Adapter

Description

Fiber optic adapter is to achieve the same or different optical fiber connectors docking in optical links make the light path connected under the small loss. It is to put the fiber of two surface precision docking, so that the optical output of light energy to the maximum coupling in the receiving optical fiber, and since it entered the optical link to minimize the effects on the system. Widely used in optical fiber distribution frame (ODF), fiber optic communications equipment, instruments, etc., superior performance, stable and reliable.

Features

- Low insertion loss and back reflection loss
- High precision alignment
- With or without flange options for installation flexibility
- Telcordia, GR-326-4 CORE compliant


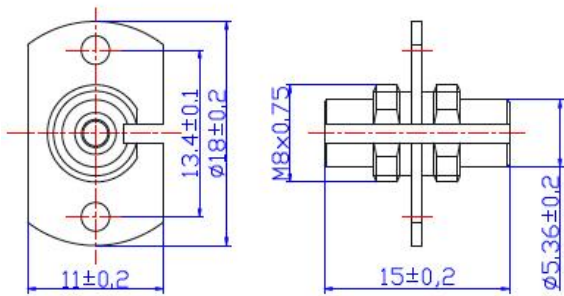
Application

- Telecommunication networks
- Local Area Networks (LANs)

Specification

Item	Specification
Insertion Loss	< 0.20dB
Durability	< 0.20 dB typical change, 1000 matings
Operating Temperature	-40°C to + 85°C

Order Information

PIC	Outline Drawing	Description
 D4 Adapter		D4 SM-SX Metal Adapter

TECHNICAL SPECIFICATIONS / ESPECIFICACIONES TÉCNICAS

Connector Conector	Insertion Loss Pérdida de inserción		Return loss Pérdida de retorno		Durability Durabilidad	Operating Temperature Temp. de funcionamiento	Fiber Tipo de fibra
D4	SM	≤ 0.2 dB	PC	≥ 0.50 dB	≤ 0.2 dB typical change cambio típico / 1.000 matings apareamientos	-40 °C to/a + 80 °C	9/125 um (SM)
			APC	N/A			50/125 um (SM)
	MM	≤ 0.25 dB		N/A			62.5/125 um (SM)
DIN	SM	≤ 0.2 dB	PC	≥ 0.50 dB	≤ 0.2 dB typical change cambio típico / 1.000 matings apareamientos	-40 °C to/a + 80 °C	9/125 um (SM)
			APC	≥ 0.65 dB			50/125 um (SM)
	MM	≤ 0.25 dB		N/A			62.5/125 um (SM)
FC	SM	≤ 0.2 dB	PC	≥ 0.50 dB	≤ 0.2 dB typical change cambio típico / 1.000 matings apareamientos	-40 °C to/a + 80 °C	9/125 um (SM)
			APC	≥ 0.65 dB			50/125 um (SM)
	MM	≤ 0.25 dB		≥ 0.30 dB			62.5/125 um (SM)
LC	SM	≤ 0.2 dB	PC	≥ 0.50 dB	≤ 0.2 dB typical change cambio típico / 1.000 matings apareamientos	-40 °C to/a + 80 °C	9/125 um (SM)
			APC	≥ 0.65 dB			50/125 um (SM)
	MM	≤ 0.25 dB		≥ 0.30 dB			62.5/125 um (SM)
MTRJ	SM	≤ 0.5 dB	PC	≥ 0.45 dB	≤ 0.2 dB typical change cambio típico / 1.000 matings apareamientos	-40 °C to/a + 80 °C	9/125 um (SM)
			APC	N/A			50/125 um (SM)
	MM	≤ 0.3 dB		≥ 0.35 dB			62.5/125 um (SM)
MU	SM	≤ 0.2 dB	PC	≥ 0.50 dB	≤ 0.2 dB typical change cambio típico / 1.000 matings apareamientos	-40 °C to/a + 80 °C	9/125 um (SM)
			APC	≥ 0.65 dB			50/125 um (SM)
	MM	≤ 0.3 dB		≥ 0.30 dB			62.5/125 um (SM)
SC	SM	≤ 0.2 dB	PC	≥ 0.50 dB	≤ 0.2 dB typical change cambio típico / 1.000 matings apareamientos	-40 °C to/a + 80 °C	9/125 um (SM)
			APC	≥ 0.65 dB			50/125 um (SM)
	MM	≤ 0.25 dB		≥ 0.30 dB			62.5/125 um (SM)
ST	SM	≤ 0.2 dB	PC	≥ 0.50 dB	≤ 0.2 dB typical change cambio típico / 1.000 matings apareamientos	-40 °C to/a + 80 °C	9/125 um (SM)
			APC	N/A			50/125 um (SM)
	MM	≤ 0.25 dB		≥ 0.30 dB			62.5/125 um (SM)