

Secure-Conn Datasheet

Pokorny Engineering – Power Injector Box

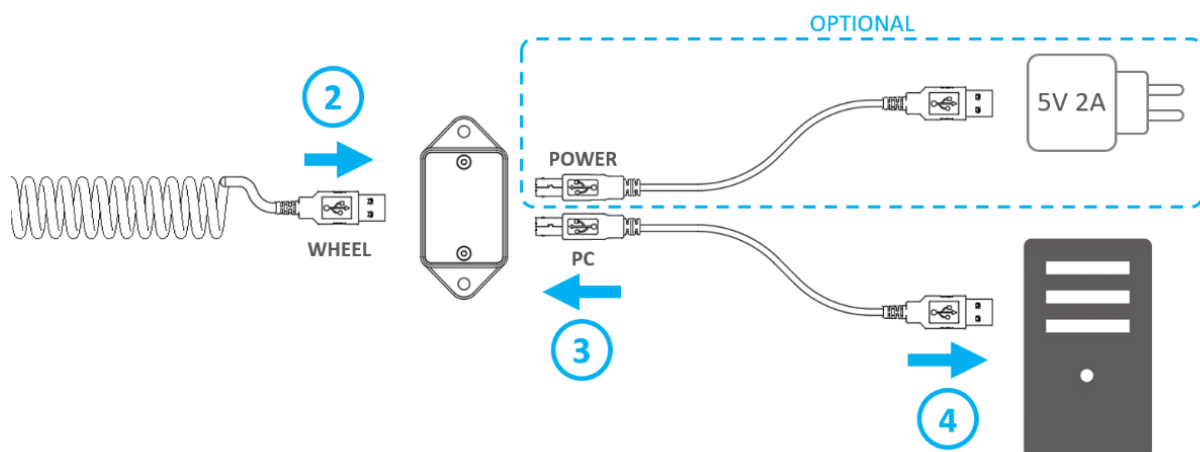


SPECIFICATION

USB Standard	USB 2.0
Max Communication Speed	480Mbps
Output Voltage (WHEEL)	5V ±5%
Max Output Current (WHEEL)	2.0A
USB Input Voltage (PC)	4.0-5.5V
USB Input Current (PC)	min. 2.0A (if power not connected)
Power Input Voltage (POWER)	4.0-5.5V (optional)
Power Input Current (POWER)	min. 2.0A (optional)
Enclosure Material	AL 6061

HOW TO USE

1. Connect the coiled USB cable to your wheel.
2. Connect the USB-A connector of cable from your wheel to the *Secure-Conn* power injector box.
3. Connect one of the provided USB-B Cable to the *PC* titled socket of the power injector box, then to your PC.
4. Connect the USB-B cable to one of the rear USB ports of your PC or to an active powered USB HUB.



Optionally, if your PC cannot supply sufficient current (2A), you can connect the **POWER** titled socket of the power injector box to a standard USB wall power adapter with a minimum output of 2A.

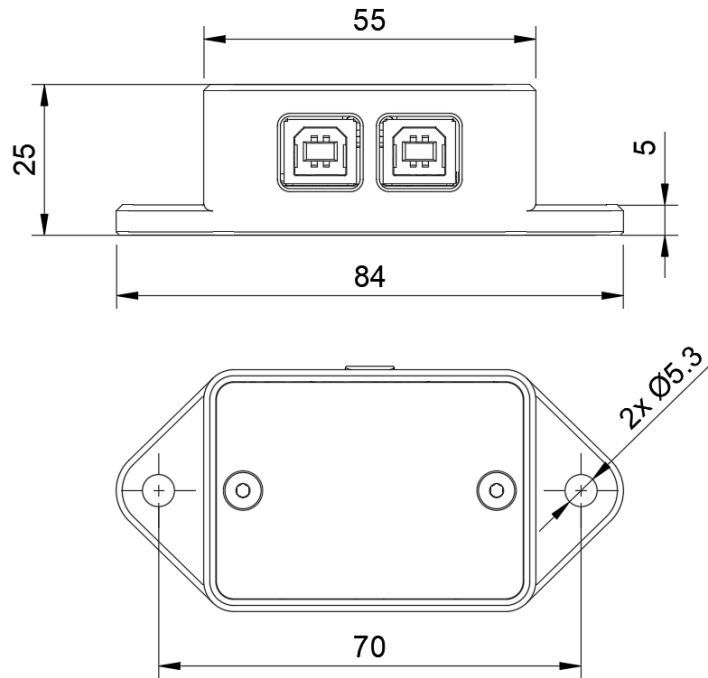
The Secure-Conn power injector ensures stable power for the wheel, regardless of the voltage it receives within the operating range of 4.0-5.5V. The USB socket on the wheel side is only active when connected to a PC, regardless of whether a power adapter is connected to the POWER input or not.

The wall adapter is not included.

SAFETY NOTICE

- Please read the User Manual carefully before you use the product.
- This product is designed for simulation game use only.
- The device must not be exposed to rain or humidity in order to avoid the risk of fire and the danger of electric shock.
- Operating temperature: 15°C – 35°C room temperature.
- Indoor use only.
- Not intended for children under the age of 16 years. Contains small pieces. Danger of swallowing!
- Do not open the casing of the device. Never power and/or operate the device with opened casing due to safety reasons.
- This device contains components that cannot be repaired by the user, opening will void the warranty.
- Disconnect the USB cable from both sides if you will not use this product for a long time.

DIMENSIONS



All dimensions are in mm!

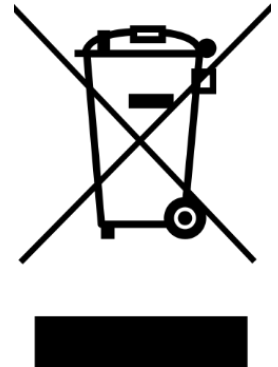
ECOLOGY ADVICE

In the European Union: At the end of its working life, this product should not be disposed of with standard household waste, but rather dropped off at a collection point for the disposal of Waste Electrical and Electronic Equipment (WEEE) for recycling.

Depending on their characteristics, the materials may be recycled. Through recycling and other forms of processing Waste Electrical and Electronic Equipment, you can make a significant contribution towards helping to protect the environment.

Please contact your local authorities for information on the collection point nearest you. For all other countries: Please adhere to local recycling laws for electrical and electronic equipment.

Retain this information. Colors and decorations may vary.



This manual may be updated without notice.

Due to continuous improvement, the actual product may differ from the manual.

This manual is for reference only. For further information or support contact us at info@pokornyengineering.com