

Marine Diesel Engines

M2.02 M2.13

M2.04

M2.06 M2.18

M2.C5 M2.D5

Parts catalogue

Deze onderdelencatalogus bevat waardevolle informatie voor onderhoud en service aan uw motor.

Wij adviseren U, bij vervanging alleen originele **VETUS** onderdelen toe te passen.

Het typeplaatje bevat informatie over de typeaanduiding, het motornummer en de serie.

Gebruik deze informatie bij bestelling van onderdelen.

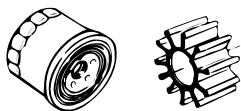
This parts'catalogue contains valuable information for maintenance and service over your engine.

For replacement, we recommend that you use only genuine **VETUS** parts.

The identification tag contains information about model, serial number and series.

Use this information when ordering parts.

1



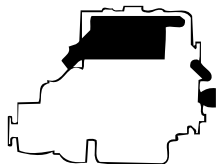
Reserve kits
Spare parts kit

2



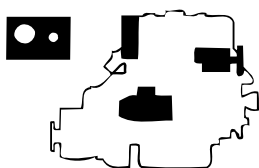
Motor
Engine

3



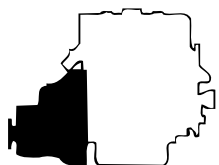
Koeling
Cooling

4



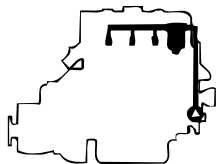
Electra, bediening en instrumenten
Electrics, controls, instruments

5



Aandrijving
Transmission

6



Brandstofsysteem
Fuel system

7

Generator
Generator

8

Gereedschappen
Tools

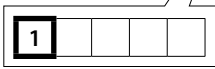
9

10

Accessoires
Optionals

| MA.10 MA.17 | | Servicekit | Service kit | |
|-------------|-----|------------|----------------------------------|----------------------------------|
| oms. | qty | part | benaming | description |
| 1 | 1 | STM090 | Benzinefilter | Fuel filter |
| 2 | 1 | STM070 | Injectie + pakking zeesiederpomp | Injector + gasket sea-water pump |
| 3 | 1 | STM003 | Oliefilter | Oil filter |
| 4 | 1 | STM095 | Vibrator 50 A dynamo | Vibrat 50 A alternator |
| 5 | 1 | STM040 | Service kit cpl. 20 A dynamo | Service kit cpl. 20 A dynamo |
| 1 | 1 | STM040 | Service kit cpl. 110 A dynamo | Service kit cpl. 110 A dynamo |

1-1

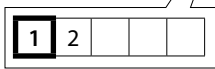


De volledige stuklijst staat op deze pagina.

The full parts list is shown on this page.

| MA.15 MA.17 | | Motorblok | Engine block | |
|-------------|-----|-----------|--------------|--------------|
| oms. | qty | part | benaming | description |
| 1 | 1 | STM742 | Motorblok | Engine block |
| 2 | 1 | STM095 | Motorblok | Engine block |
| 3 | 3 | STM743 | Kap | Cap |
| 4 | 3 | STM744 | Kap | Cap |
| 5 | 10 | STM745 | Buis | Bush |
| 6 | 1 | STM746 | Buis | Bush |
| 7 | 1 | STM007 | Oscilator | Oscilator |
| 8 | 1 | STM747 | Kap | Cap |
| 9 | 3 | STM748 | Kap | Cap |
| 10 | 1 | STM749 | Plug | Plug |
| 11 | 4 | STM750 | Buis | Bush |
| 12 | 2 | STM010 | Buis | Bush |

2-1

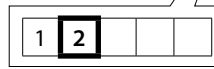


De stuklijst is verdeeld over 2 pagina's. Op deze pagina staat het **eerste** deel.

The parts list is spread over 2 pages. On this page the **first** part is shown.

| MA.15 MA.17 | | Motorblok | Engine block | |
|-------------|-----|-----------|--------------|-------------|
| oms. | qty | part | benaming | description |
| 13 | 1 | STM011 | Buis | Bush |
| 14 | 1 | STM006 | Plug | Plug |
| 15 | 1 | STM753 | Pin | Pin |
| 16 | 2 | STM002 | Pin | Pin |
| 17 | 1 | STM752 | As | Shaft |
| 18 | 1 | STM755 | Kogel | Ball |
| 19 | 1 | STM754 | As | Shaft |
| 20 | 4 | STM756 | Afsluiting | Seal |
| 21 | 1 | STM758 | As | Shaft |
| 22 | 2 | STM757 | Pin | Pin |
| 23 | 1 | STM758 | Plug | Plug |
| 24 | 1 | STM007 | Kap | Cap |

2-2



De stuklijst is verdeeld over 2 pagina's. Op deze pagina staat het **tweede** deel.

The parts list is spread over 2 pages. On this page the **second** part is shown.

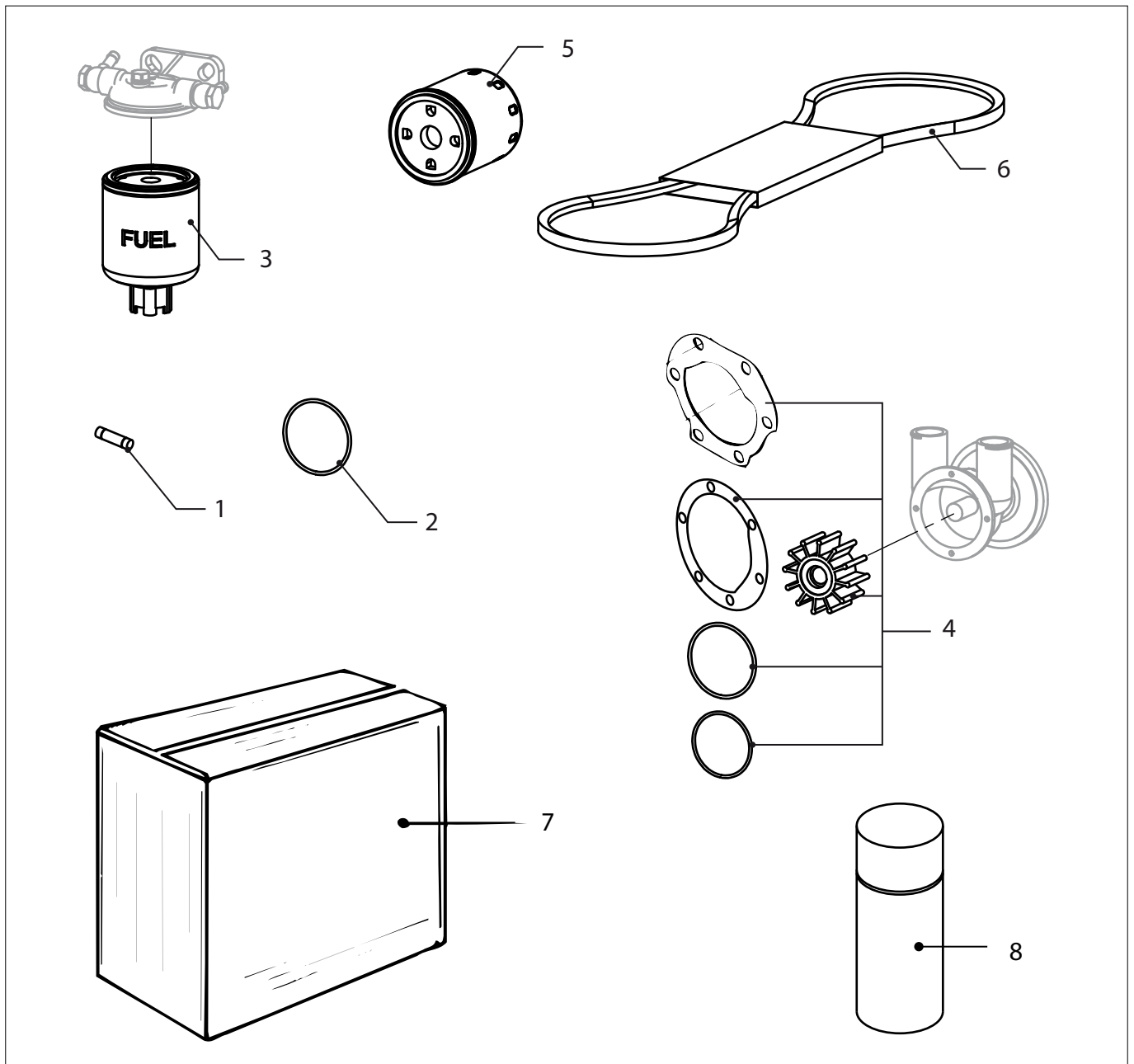
Inhoud Contents

| pag. page | type | | | | omschrijving | description |
|--------------|----------------|-------|----------------|----------------|-------------------------|-----------------------------|
| 1-1 | M2.02 | M2.04 | M2.06 | M2.C5 M2.D5 | Serviceonderdelen | Service parts |
| 1-2 | M2.13 | | M2.18 | | Serviceonderdelen | Service parts |
| 2-1 | M2.02 M2.13 | M2.04 | M2.06 M2.18 | M2.C5 M2.D5 | Motorsteunen | Engine supports |
| 2-2 | M2.02 M2.13 | M2.04 | M2.06 M2.18 | M2.C5 M2.D5 | Motorblok | Engine block |
| 2-3 | M2.02 M2.13 | M2.04 | M2.06 M2.18 | M2.C5 M2.D5 | Motorblok | Engine block |
| 2-4 | M2.02 M2.13 | M2.04 | M2.06 M2.18 | M2.C5 M2.D5 | Motorblok | Engine block |
| 2-5 | M2.02 M2.13 | M2.04 | M2.06 M2.18 | M2.C5 M2.D5 | Carterpan + Oliepomp | Oil sump + Oil pump |
| 2-6 | M2.02 M2.13 | M2.04 | M2.06 M2.18 | M2.C5 M2.D5 | Carterpan + Oliepomp | Oil sump + Oil pump |
| 2-7 | M2.02 | M2.04 | M2.06 | M2.C5 M2.D5 | Peilstok | Oil dipstick |
| 2-8 | M2.13 | | M2.18 | | Peilstok | Oil dipstick |
| 2-9 | M2.02 M2.13 | M2.04 | M2.06 M2.18 | M2.C5 M2.D5 | Cilinderkop | Cylinder head |
| 2-10 | | | | M2.C5 M2.D5 | Krukas | Crankshaft |
| 2-11 | | M2.04 | | | Krukas | Crankshaft |
| 2-12 | M2.02 M2.13 | | M2.06 M2.18 | | Krukas | Crankshaft |
| 2-13 | M2.02 M2.13 | M2.04 | M2.06 M2.18 | M2.C5 M2.D5 | Distributie | Time Gear |
| 2-14 | M2.02 M2.13 | M2.04 | M2.06 M2.18 | M2.C5 M2.D5 | Distributie | Time Gear |
| 2-15 | M2.02 M2.13 | M2.04 | M2.06 M2.18 | M2.C5 M2.D5 | Distributie | Time Gear |
| 2-16 | M2.02 M2.13 | M2.04 | M2.06 M2.18 | M2.C5 M2.D5 | Pakkingen | Gaskets |
| 2-17 | M2.02 M2.13 | M2.04 | M2.06 M2.18 | M2.C5 M2.D5 | Pakkingen | Gaskets |
| 2-18 | M2.02 M2.13 | M2.04 | M2.06 M2.18 | M2.C5 M2.D5 | Luchtinlaat | Air intake |
| 2-19 | M2.02 | M2.04 | M2.06 | M2.C5 M2.D5 | Luchtinlaatkast 2014 <- | Air intake Housing 2014 <- |
| 2-20 | M2.13 | | M2.18 | | Luchtfilter | Air cleaner |
| 2-21 | M2.13 | | M2.18 | | Afschermkap 2016-04 <- | Protection cover 2016-04 <- |
| 2-22 | M2.13 | | M2.18 | | Afschermkap 2016-04 -> | Protection cover 2016-04 -> |
| 2-23 | M2.13 | | M2.18 | | Olieaftappomp | Oil drain pump |
| 3-1 | | | | | Warmtewisselaar units | Heat exchanger units |
| 3-2 | | M2.04 | M2.06 | M2.C5 M2.D5 | Warmtewisselaar units | Heat exchanger units |

| pag. page | type | | | omschrijving | description |
|--------------|----------------|----------------|-------------------------|--|--|
| 3-3 | M2.04 | M2.06 | M2.C5 M2.D5 | Warmtewisselaar units | Heat exchanger units |
| 3-4 | M2.04 | M2.06 | M2.C5 M2.D5 | Warmtewisselaar units | Heat exchanger units |
| 3-5 | M2.02 M2.13 | M2.04 M2.18 | M2.06 M2.D5 | Warmtewisselaar units | Heat exchanger units |
| 3-6 | M2.02 M2.13 | M2.04 M2.18 | M2.06 M2.D5 | Warmtewisselaar units | Heat exchanger units |
| 3-7 | M2.02 M2.13 | M2.04 | M2.06 M2.18 M2.D5 | Kielkoelspruitstuk | Keelcooler manifold |
| 3-8 | M2.02 | M2.04 | M2.06 M2.C5 M2.D5 | Kielkoelspruitstuk | Keelcooler manifold |
| 3-9 | M2.02 | M2.04 | M2.06 M2.C5 M2.D5 | Kielkoelspruitstuk | Keelcooler manifold |
| 3-10 | M2.02 | M2.04 | M2.06 M2.C5 M2.D5 | Kielkoelspruitstuk | Keelcooler manifold |
| 3-11 | M2.02 M2.13 | M2.04 | M2.06 M2.18 M2.D5 | Kielkoelspruitstuk | Keelcooler manifold |
| 3-12 | M2.02 M2.13 | M2.04 | M2.06 M2.18 M2.D5 | Kielkoelspruitstuk | Keelcooler manifold |
| 3-13 | M2.02 M2.13 | M2.04 | M2.06 M2.18 M2.D5 | Slangen | Hoses |
| 3-14 | M2.02 | M2.04 | M2.06 M2.C5 M2.D5 | Bovenkap | Upper cover |
| 3-15 | M2.13 | | M2.18 | Zeewaterpomp | Seawater pump |
| 3-16 | | M2.04 | M2.06 M2.C5 M2.D5 | Zeewaterpomp | Seawater pump |
| 3-17 | M2.02 M2.13 | | M2.06 M2.18 M2.D5 | Circulatiepomp | Circulation pump |
| 3-18 | M2.02 M2.13 | M2.04 | M2.06 M2.18 M2.D5 | Pompen | Pumps |
| 3-19 | M2.02 | M2.04 | M2.06 M2.C5 M2.D5 | Pompen | Pumps |
| 3-20 | M2.02 | M2.04 | M2.06 M2.C5 M2.D5 | Pompen | Pumps |
| 4-1 | M2.13 | | M2.18 | Bedradingskast, 2001 <- | Terminal box, 2001 <- |
| 4-2 | | M2.04 | M2.06 M2.C5 M2.D5 | Bedradingskast, 2001 <- | Terminal box, 2001 <- |
| 4-3 | | M2.04 | M2.06 M2.C5 M2.D5 | Bedradingskast, 2001 <- | Terminal box, 2001 <- |
| 4-4 | | M2.04 | M2.06 M2.C5 M2.D5 | Bedradingskast, 2001 -> - 2014 <- | Terminal box, 2001 -> - 2014 <- |
| 4-5 | M2.02 | M2.04 | M2.06 M2.C5 M2.D5 | Motorbedrading 2014 -> | Engine wiring 2014 -> |
| 4-6 | M2.13 | | M2.18 | Kabels en hoofdschakelaar, 2001 -> | Cables and main switch, 2001 -> |
| 4-7 | M2.02 M2.13 | M2.04 | M2.06 M2.18 M2.D5 | Instrumenten paneel '20' standaard 2001 <- | Instrument panel '20' standard 2001 <- |
| 4-8 | | M2.04 | M2.06 M2.C5 M2.D5 | Instrumenten paneel '22' standaard 2001 <- | Instrument panel '22' standard 2001 <- |
| 4-9 | | M2.04 | M2.06 M2.C5 M2.D5 | Instrumenten paneel '22' standaard 2001 -> | Instrument panel '22' standard 2001 <- |
| 4-10 | M2.02 | M2.04 | M2.06 M2.C5 M2.D5 | Instrumenten paneel MP10, 2001 <- | Instrument panel MP10, 2001 <- |
| 4-11 | | M2.04 | M2.06 M2.C5 M2.D5 | Instrumenten paneel MP10, 2001 -> | Instrument panel MP10, 2001 -> |

| pag. page | type | | | | omschrijving | description |
|--------------|----------------|-------|----------------|----------------|---|--|
| 4-12 | M2.02 M2.13 | M2.04 | M2.06 M2.18 | M2.C5 M2.D5 | Instrumenten paneel MP00, 2001 <- | Instrument panel MP00, 2001 <- |
| 4-13 | | M2.04 | M2.06 M2.D5 | M2.C5 | Startmotor | Starter motor |
| 4-14 | M2.02 M2.13 | M2.04 | M2.06 M2.18 | M2.C5 M2.D5 | Dynamo 40 A | Alternator 40 A |
| 4-15 | M2.02 | M2.04 | M2.06 M2.D5 | M2.C5 | Dynamo 12 V - 75 A 1p | Alternator 12 V - 75 A Earth return |
| 4-16 | M2.02 | M2.04 | M2.06 M2.D5 | M2.C5 | Dynamo 12 V - 75 A 1p 02-2015 <- | Alternator 12 V - 75 A Earth return 02-2015 <- |
| 4-17 | M2.13 | | M2.18 | | Dynamo 12 V - 75 A 1p 02-2015 -> | Alternator 12 V - 75 A Earth return 02-2015 -> |
| 4-18 | M2.13 | | M2.18 | | Zenders + schakelaars | Sender units + switches |
| 4-19 | M2.02 M2.13 | M2.04 | M2.06 M2.18 | M2.C5 M2.D5 | Bediening, Gas | Control, Throttle |
| 4-20 | M2.02 | M2.04 | M2.06 M2.D5 | M2.C5 | Bediening, Gas | Control, Throttle |
| 4-21 | M2.13 | | M2.18 | | Bediening, keerkoppeling | Controls, gearbox |
| 4-22 | M2.02 M2.13 | M2.04 | M2.06 M2.18 | M2.C5 M2.D5 | | |
| 5-1 | | | | | Vliegwielhuis Hurth | Flywheel housing Hurth |
| 5-2 | | M2.04 | M2.06 M2.D5 | M2.C5 | Vliegwielhuis Hurth | Flywheel housing Hurth |
| 5-3 | | M2.04 | M2.06 M2.D5 | M2.C5 | Vliegwielhuis PRM | Flywheel housing PRM |
| 5-4 | | M2.04 | M2.06 M2.D5 | M2.C5 | Vliegwielhuis PRM | Flywheel housing PRM |
| 5-5 | | M2.04 | M2.06 M2.D5 | M2.C5 | Vliegwielhuis TMC / ZF10M / ZF12M / PRM150D | Flywheel housing TMC / ZF10M ZF12M / PRM150D |
| 5-6 | M2.02 M2.13 | M2.04 | M2.06 M2.18 | M2.C5 M2.D5 | Vliegwielhuis TMC60 (A) | Flywheel housing TMC60 (A) |
| 6-1 | M2.02 M2.13 | M2.04 | M2.06 M2.18 | M2.C5 M2.D5 | Brandstoffilter 2014 <- | Fuel filter 2014 <- |
| 6-2 | M2.02 | M2.04 | M2.06 M2.D5 | M2.C5 | Brandstoffilter 2014 <- | Fuel filter 2014 <- |
| 6-3 | M2.02 | M2.04 | M2.06 M2.D5 | M2.C5 | Brandstoffilter, standaard 2014 -> | Fuel filter, standard 2014 -> |
| 6-4 | M2.13 | | M2.18 | | Brandstoffilter, standaard 2014 -> | Fuel filter, standard 2014 -> |
| 6-5 | M2.13 | | M2.18 | | Brandstofsysteem | Fuel system |
| 6-6 | M2.02 M2.13 | M2.04 | M2.06 M2.18 | M2.C5 M2.D5 | Brandstofpomp | Fuel pump |
| 6-7 | M2.02 M2.13 | M2.04 | M2.06 M2.18 | M2.C5 M2.D5 | Brandstofpomp | Fuel pump |
| 6-8 | M2.02 M2.13 | M2.04 | M2.06 M2.18 | M2.C5 M2.D5 | Regulateur | Regulator |
| 6-9 | M2.02 M2.13 | M2.04 | M2.06 M2.18 | M2.C5 M2.D5 | Regulateur | Regulator |
| 6-10 | M2.02 M2.13 | M2.04 | M2.06 M2.18 | M2.C5 M2.D5 | Regulateur | Regulator |
| 6-11 | M2.02 M2.13 | M2.04 | M2.06 M2.18 | M2.C5 M2.D5 | Verstuiverhouder | Nozzle holder |
| 6-12 | M2.02 M2.13 | M2.04 | M2.06 M2.18 | M2.C5 M2.D5 | LEEG | |

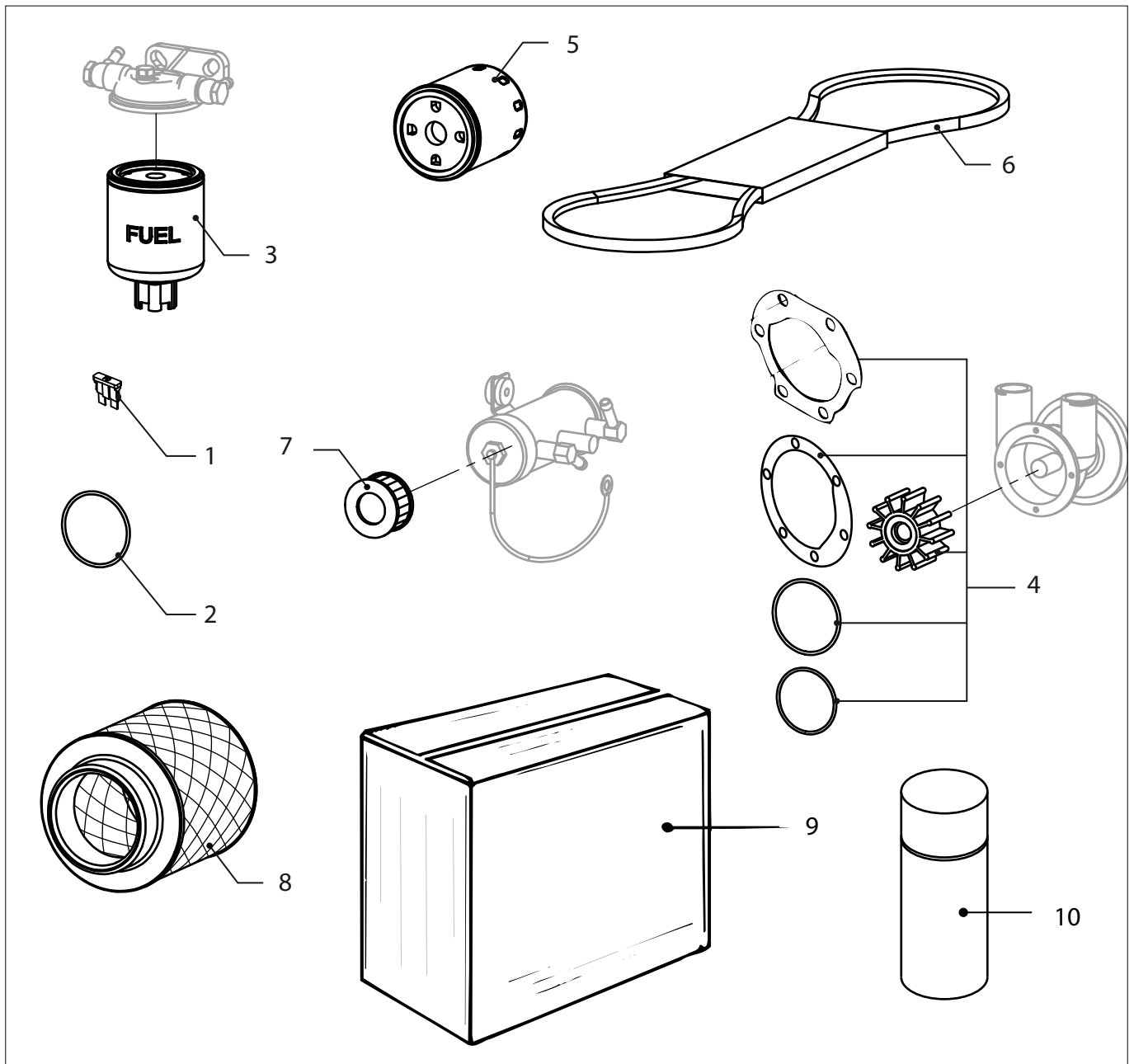
| pag. page | type | | | | omschrijving | description |
|--------------|----------------|-------|----------------|----------------|--|--|
| 10-1 | M2.04 | M2.06 | | | Saildrive Lombardini | Saildrive Lombardini |
| 10-2 | M2.04 | M2.06 | | | Saildrive Lombardini | Saildrive Lombardini |
| 10-3 | M2.02 M2.13 | M2.04 | M2.06 M2.18 | M2.C5 M2.D5 | Verloopset saildrive 110S | Adaptor kit saildrive 110S |
| 10-4 | M2.02 M2.13 | M2.04 | M2.06 M2.18 | M2.C5 M2.D5 | Verloopset saildrive 120S | Adaptor kit saildrive 120S |
| 10-5 | M2.02 M2.13 | M2.04 | M2.06 M2.18 | M2.C5 M2.D5 | Verloopset saildrive 120SB | Adaptor kit saildrive 120SB |
| 10-6 | M2.02 | M2.04 | M2.06 | M2.C5 M2.D5 | Boileraansluiting I | Calorifier connection I |
| 10-7 | M2.02 M2.13 | M2.04 | M2.06 M2.18 | M2.C5 M2.D5 | Boileraansluiting II, interkoeling | Calorifier connection II, intercooling |
| 10-8 | M2.02 M2.13 | M2.04 | M2.06 M2.18 | M2.C5 M2.D5 | Boileraansluiting II Kielkoeling | Calorifier connection II Keelcooling |
| 10-9 | M2.02 | M2.04 | M2.06 | M2.C5 M2.D5 | Separaat gemonteerd oliefilter | Oil filter separately installed |
| 10-10 | M2.02 | M2.04 | M2.06 | M2.C5 M2.D5 | Separaat gemonteerd oliefilter + brandstofferfilter | Oil filter + oil filter separately installed |
| 10-11 | M2.02 | M2.04 | M2.06 | M2.C5 M2.D5 | Separaat gemonteerd oliefilter + brandstofferfilter | Oil filter + oil filter separately installed |
| 10-12 | M2.02 | M2.04 | M2.06 | M2.C5 M2.D5 | Separaat gemonteerd oliefilter+brandstofferfilter+el.br.pomp | Oil filter+oil filter+el. fuel pump separately installed |
| 10-13 | M2.02 | M2.04 | M2.06 | M2.C5 M2.D5 | Separaat gemonteerd oliefilter+brandstofferfilter+el.br.pomp | Oil filter+oil filter+el. fuel pump separately installed |
| 10-14 | M2.13 | | M2.18 | | Transportsteun | Transport support |
| | | | | | Register | Index |



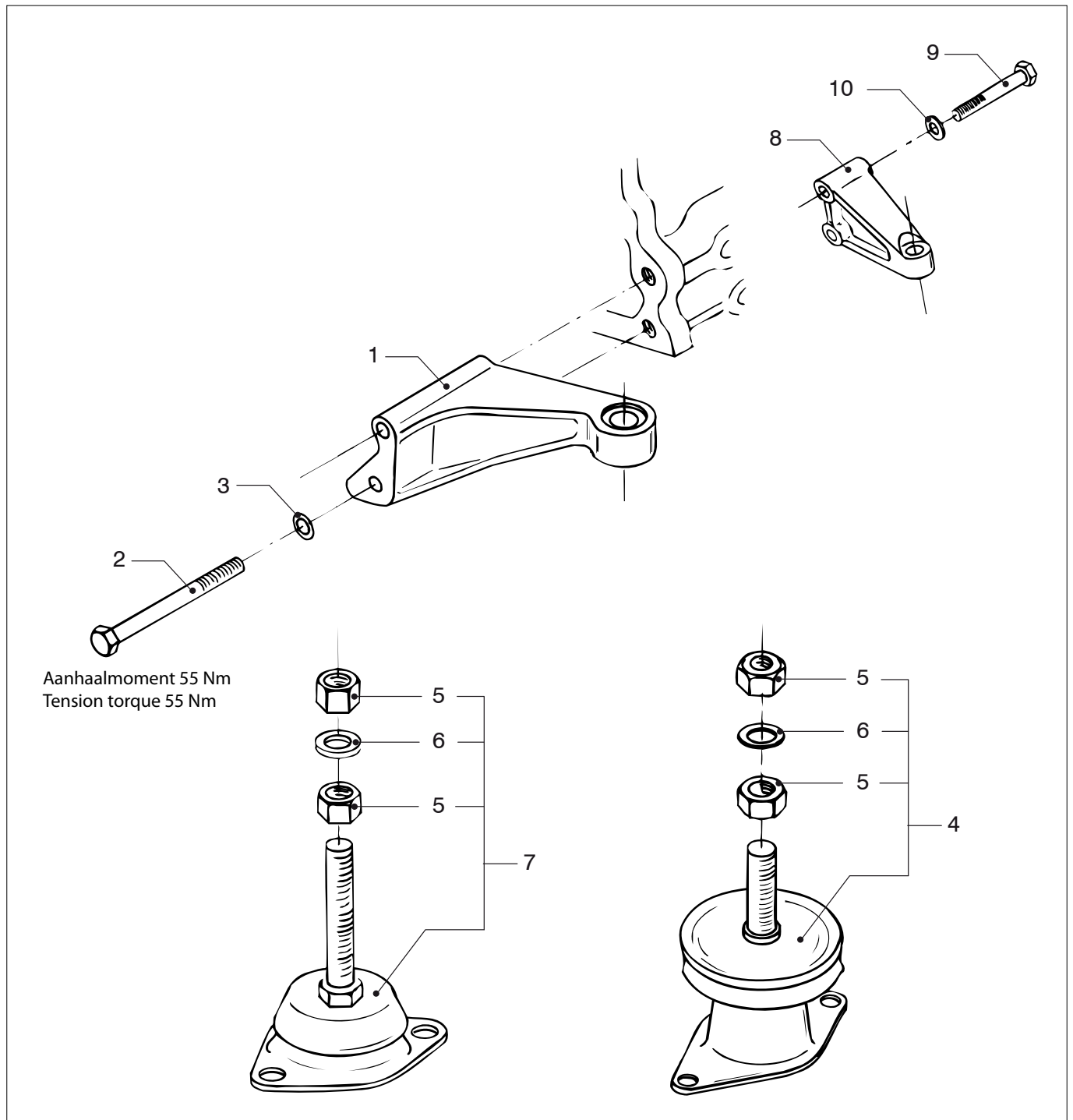
M2.02 M2.04 M2.06 M2.C5 M2.D5 **Serviceonderdelen**

Service parts

| pos. | qty | part | benaming | description |
|------|-----|----------|-------------------------------|------------------------------|
| 1 | 5 | STM9185 | Glaszekering 10A T ø6,3x32 | Glass fuse 10A slow ø6,3x32 |
| 2 | 2 | STM6113 | O-ring Warmtewisselaar 61x2,5 | O-ring Heat exchanger 61x2.5 |
| 3 | 1 | STM3690 | Brandstoffilter | Fuel filter |
| 4 | 1 | STM8076 | Impeller + pakkingen | Impeller + gaskets |
| 5 | 1 | STM0051 | Oliefilter | Oil filter |
| 6 | 1 | STM7439 | V-snaar l=925 (75A dyn) | V-belt l=925 (75A alt) |
| 7 | 1 | 08-01375 | Service kit pos 1 t.e.m. 6 | Service kit pos 1 up to 6 |
| 8 | 1 | STM0052 | Spuitbus verf | Spray can paint |



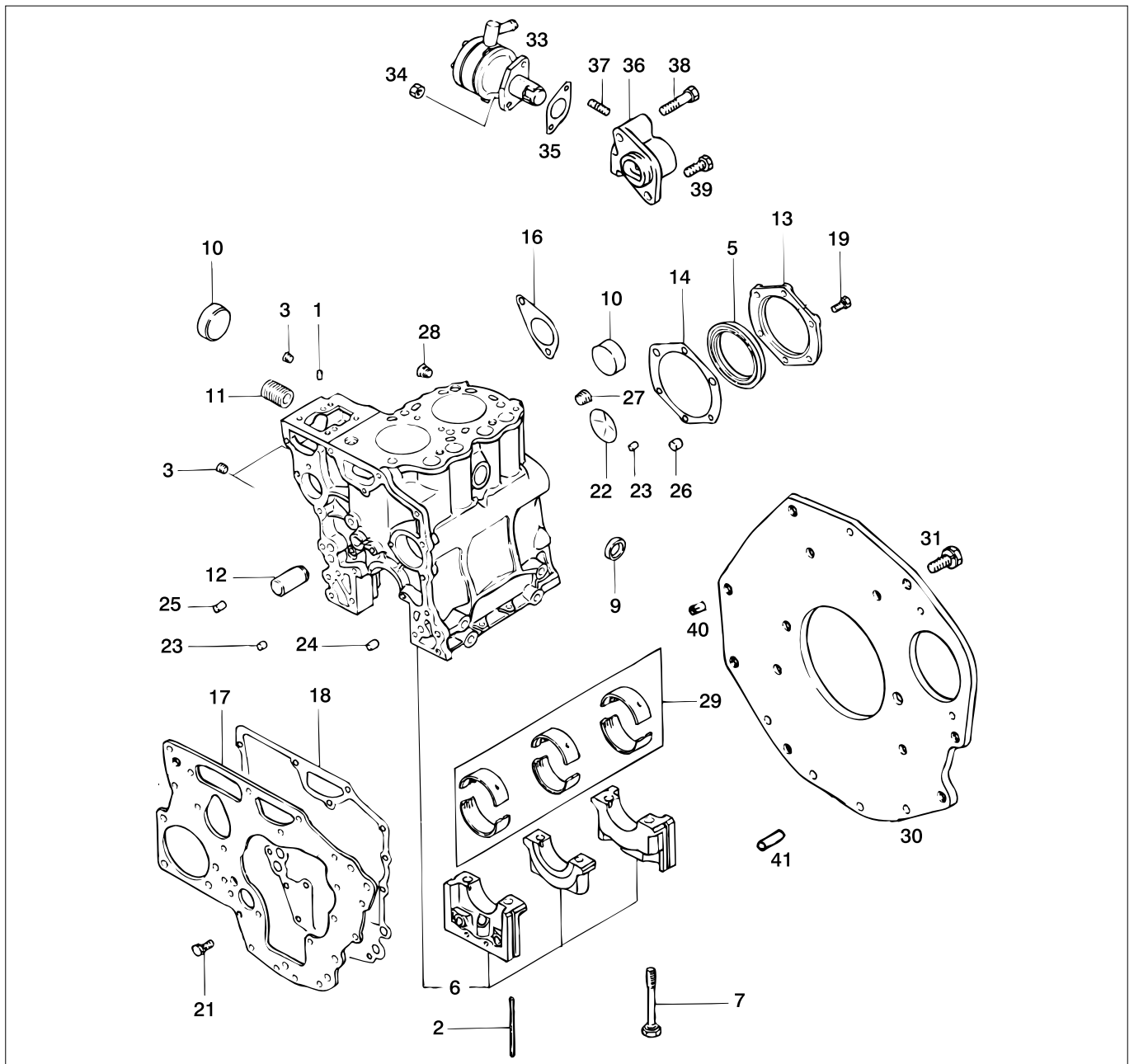
| M2.13 | | M2.18 | | Serviceonderdelen | Service parts |
|-------|-----|----------|-------------------------------|------------------------------|---------------|
| pos. | qty | part | benaming | description | |
| 1 | 5 | STM4614 | Steekzekering ATO 10A | ATO fuse 10A | |
| 2 | 2 | STM6113 | O-ring Warmtewisselaar 61x2,5 | O-ring Heat exchanger 61x2.5 | |
| 3 | 1 | STM3690 | Brandstoffilter | Fuel filter | |
| 4 | 1 | STM8076 | Impeller + pakkingen | Impeller + gaskets | |
| 5 | 1 | STM0051 | Oliefilter | Oil filter | |
| 6 | 1 | STM7439 | V-snaar l=925 (75A dyn) | V-belt l=925 (75A alt) | |
| 7 | 1 | STM4050 | Brandstoffilter opvoerpomp | Fuel filter fuel lift pump | |
| 8 | 1 | 08-01308 | Luchtfilterelement | Air cleaner element | |
| 9 | 1 | 08-01376 | Service kit pos 1 t.e.m. 8 | Service kit pos 1 up to 8 | |
| 10 | 1 | STM0052 | Spuitbus verf | Spray can paint | |



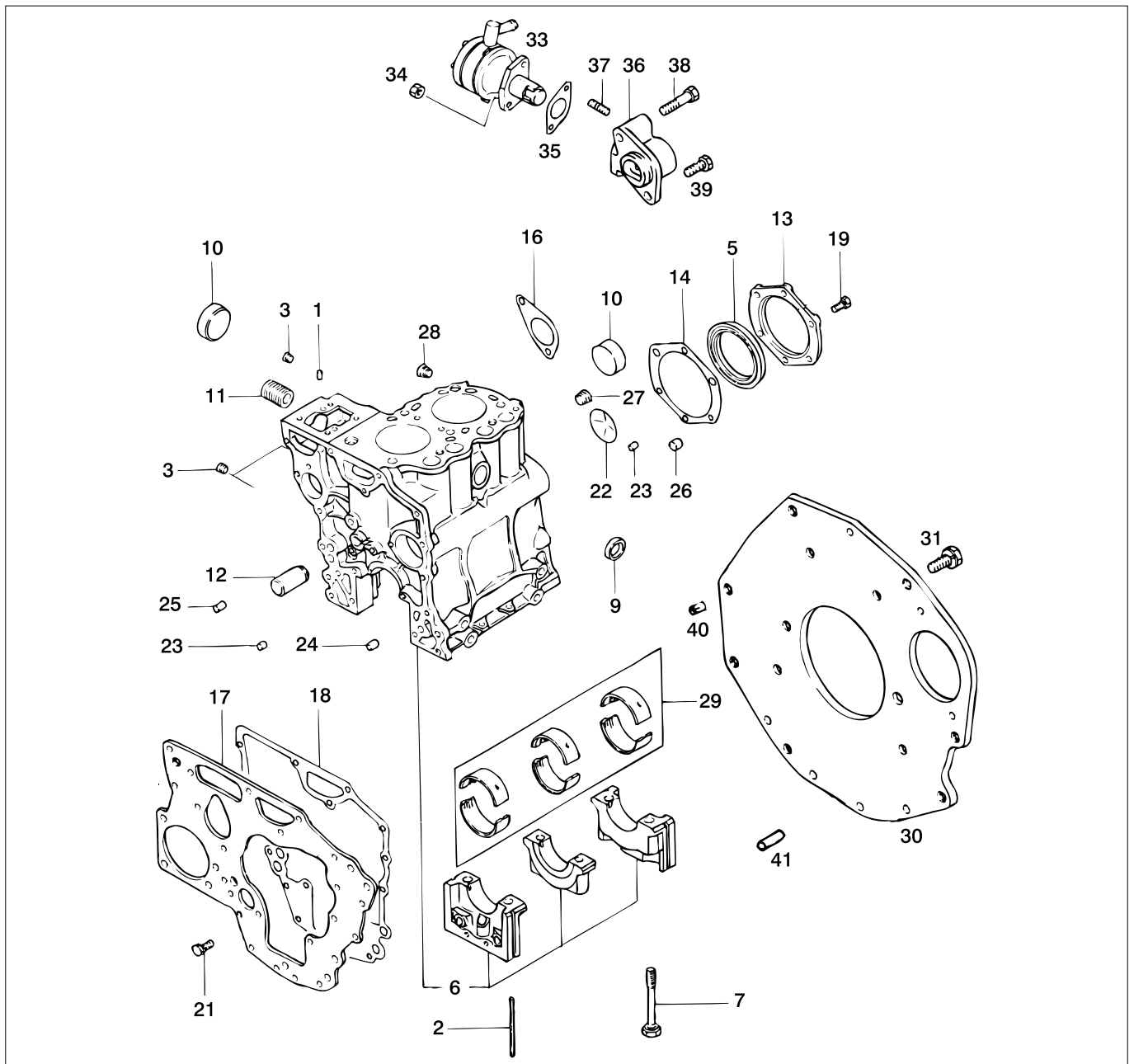
M2.02 M2.04 M2.06 M2.C5 **Motorsteunen**
M2.13 M2.18 M2.D5

Engine supports

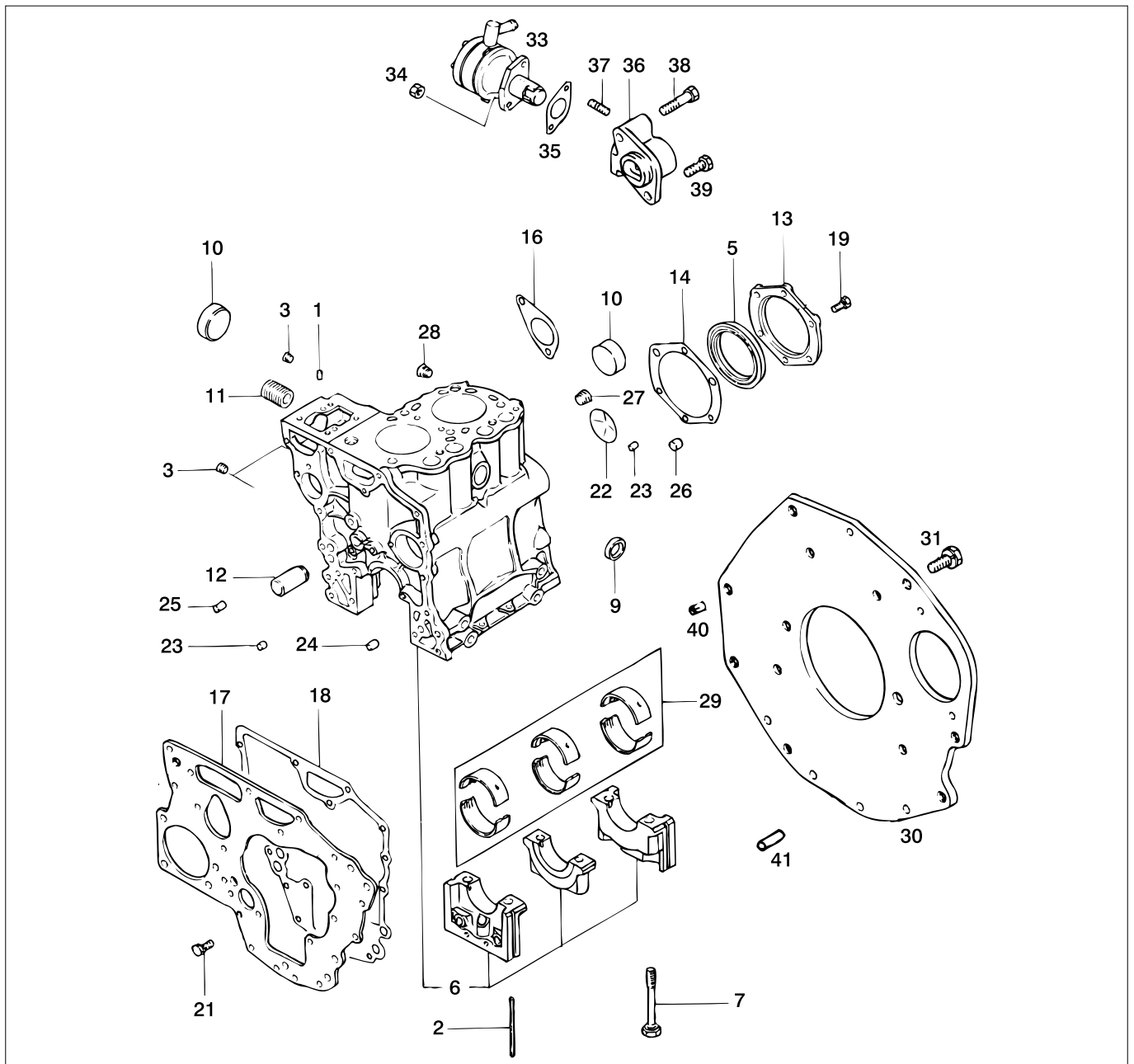
| pos. | qty | part | benaming | description |
|------|-----|----------|-----------------------|------------------------|
| 1 | 2 | STM6101 | Motorsteun BB-SB | Engine support PS-SB |
| 2 | 4 | STM6102 | Bout M10x1,25x90 | Bolt M10x1.25x90 |
| 3 | 4 | STM2022 | Ring | Washer |
| 4 | 2 | MITSTEUN | Hydrodemper | Hydro mount |
| 5 | 4 | STM4010 | Moer M16x1,5 | Nut M16x1.5 |
| 6 | 2 | STM4011 | Ring | Washer |
| 7 | 2 | STM1073 | Demper KSTEUN25V | Engine Mount KSTEUN25V |
| 8 | 2 | STM7584 | Motorsteun SB-BB | Enging support SB-PS |
| 9 | 4 | STM7595 | Bout M12x1,75x65 | Bolt M12x1.75x65 |
| 10 | 4 | STM4056 | Gegolfde veerring M12 | Wave spring washer M12 |



| pos. | qty | part | benaming | description |
|------|-----|---------|-----------------------------|--------------------------------------|
| 1 | 2 | STM1100 | Pen | Pin |
| 2 | 4 | STM1101 | Dichting | Seal |
| 3 | 3 | STM1102 | Plug | Plug |
| 5 | 1 | STM1104 | Keerring | Oil seal |
| 6 | 1 | STM1406 | Motorblok M2.06/M2.13/M2.18 | Block Sub Assembly M2.06/M2.13/M2.18 |
| | 1 | STM1407 | Motorblok M2.04 | Block Sub Assembly M2.04 |
| | 1 | STM1093 | Motorblok M2.C5/M2.D5 | Block Sub Assembly M2.C5/M2.D5 |
| 7 | 1 | STM1106 | Bout | Bolt |
| 9 | 2 | STM1108 | Plug | Cap |
| 10 | 1 | STM1109 | Plug | Plug |
| 11 | 1 | STM3546 | As | Shaft |
| 12 | 1 | STM1111 | As | Shaft |
| 13 | 1 | STM1112 | Huis | Case |
| 14 | 1 | STM1113 | Pakking | Gasket |
| 16 | 1 | STM1114 | Pakking | Gasket |
| 17 | 1 | STM1115 | Plaat | Plate |



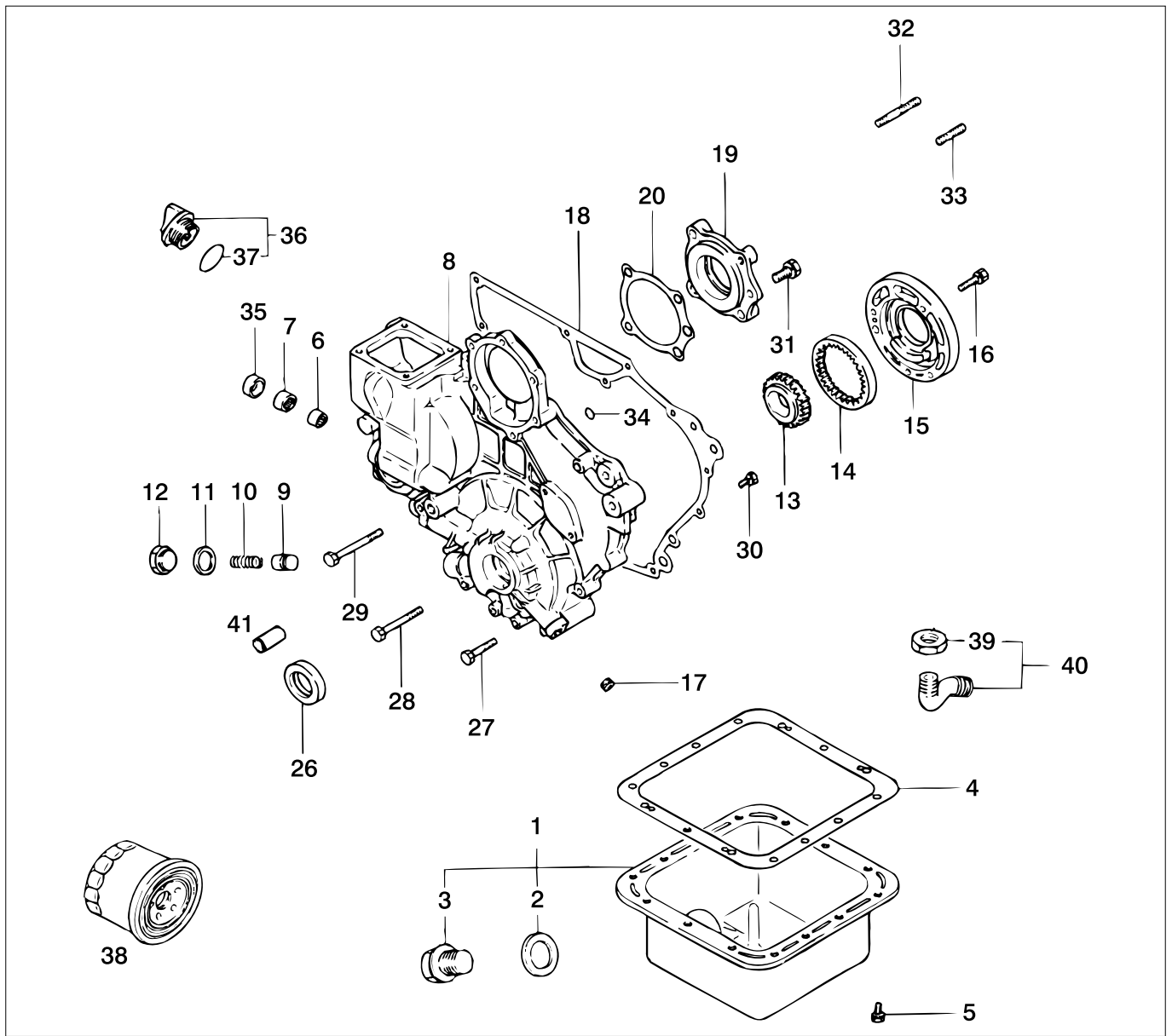
| pos. | qty | part | benaming | description |
|------|-----|---------|----------------------|---------------------|
| 18 | 1 | STM1116 | Pakking | Gasket |
| 19 | 6 | STM1117 | Bout | Bolt |
| 21 | 7 | STM1118 | Bout | Bolt |
| 22 | 1 | STM1119 | Plug | Plug |
| 23 | 2 | STM1120 | Bus | Bushing |
| 24 | 1 | STM1121 | Bus | Bushing |
| 25 | 2 | STM2510 | Bus | Bushing |
| 26 | 3 | STM1122 | Bus | Bushing |
| 27 | 1 | STM1123 | Plug | Plug |
| 28 | 1 | STM2513 | Plug | Plug |
| 29 | 1 | STM1394 | Lagerset std | Bearing set std |
| | 1 | STM1395 | Lagerset 0,25 OS | Bearing set 0.25 OS |
| | 1 | STM1396 | Lagerset 0,50 OS | Bearing set 0.50 OS |
| 30 | 1 | STM1125 | Achterplaat | Rear plate |
| 31 | 6 | STM3549 | Bout | Bolt |
| 33 | 1 | STM1127 | Brandstofopvoer pomp | Fuel pump |



M2.02 M2.04 M2.06 M2.C5 **Motorblok**
M2.13 M2.18 M2.D5

Engine block

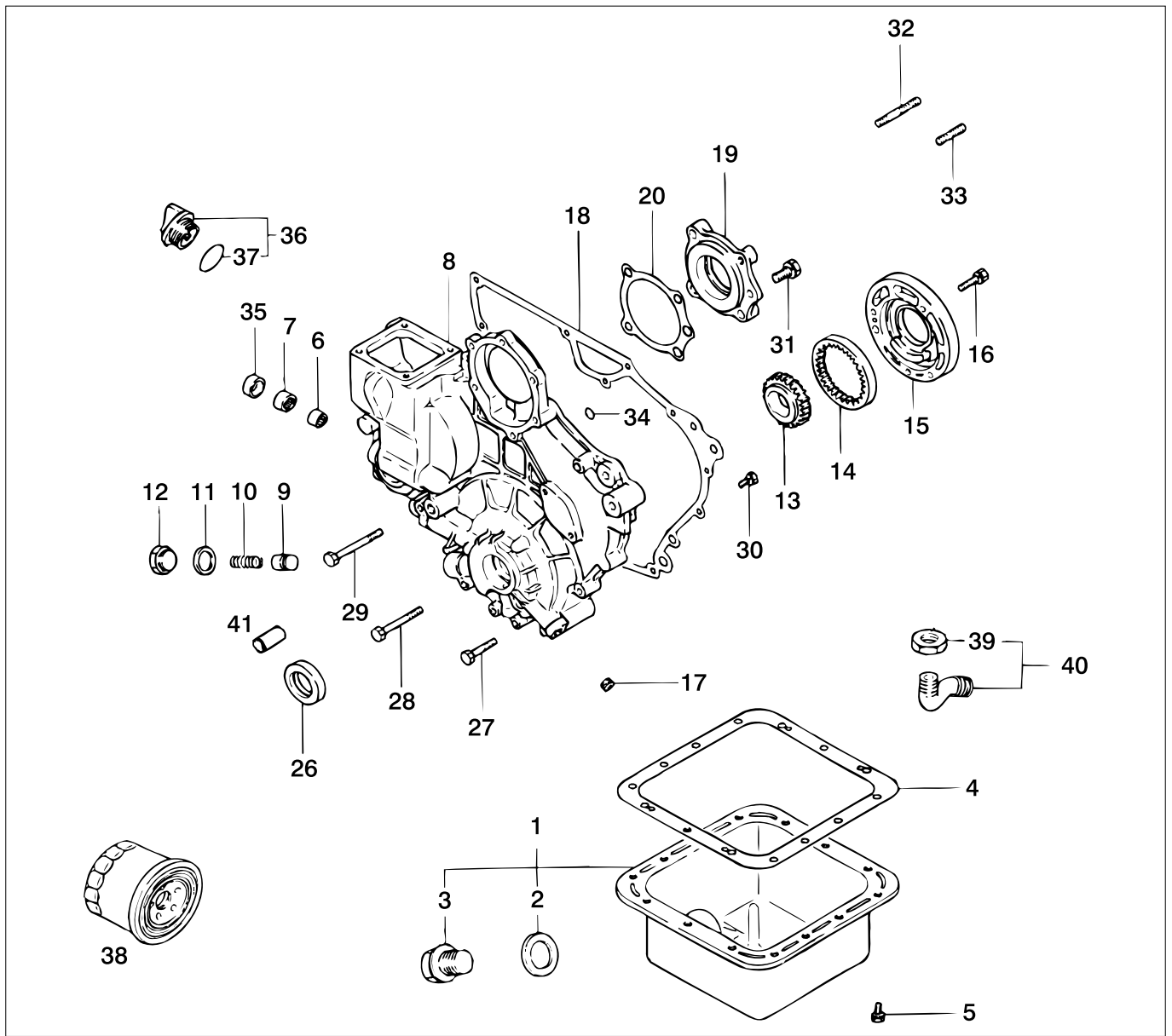
| pos. | qty | part | benaming | description |
|------|-----|---------|------------------|------------------|
| 34 | 2 | STM3260 | Moer | Nut |
| 35 | 1 | STM1128 | Pakking | Gasket |
| 36 | 1 | STM1129 | Adaptor | Adaptor |
| 37 | 2 | STM3566 | Tapeind | Stud |
| 38 | 1 | STM2258 | Bout | Bolt |
| 39 | 1 | STM3355 | Bout | Bolt |
| 40 | 1 | STM6279 | Pen 8x18 DIN6325 | Pin 8x18 DIN6325 |
| 41 | 1 | STM2507 | Pen 8x10 DIN6325 | Pin 8x10 DIN6325 |



M2.02 M2.04 M2.06 M2.C5 Carterpan + Oliepomp
M2.13 M2.18 M2.D5

Oil sump + Oil pump

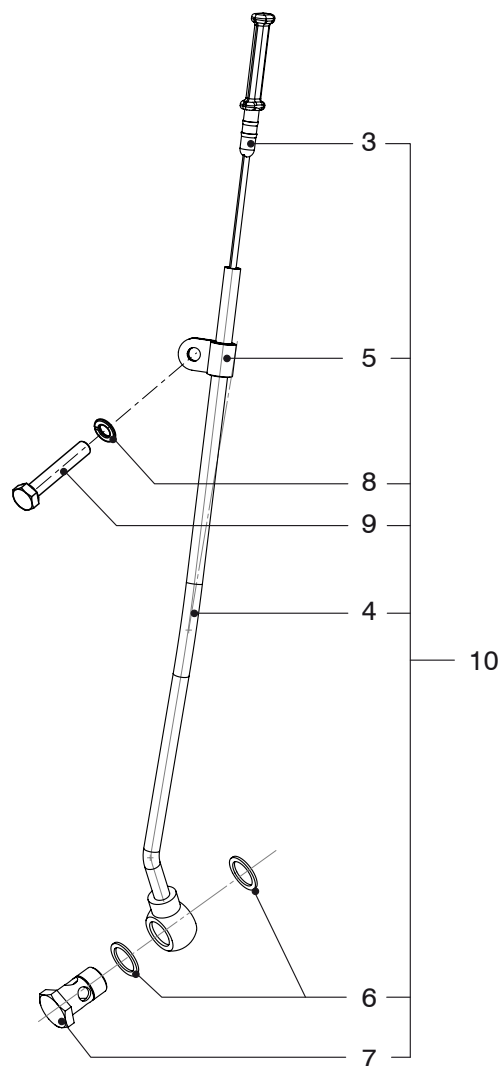
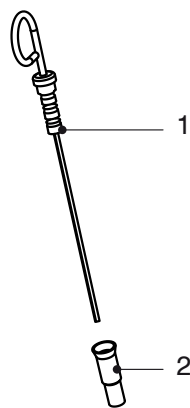
| pos. | qty | part | benaming | description |
|------|-----|---------|--------------------|-------------|
| 1-3 | 1 | STM1132 | Carterpan compleet | Pan Assy |
| 2 | 1 | STM1133 | Pakking | Gasket |
| 3 | 1 | STM1134 | Plug | Plug |
| 4 | 1 | STM1135 | Pakking | Gasket |
| 5 | 14 | STM3555 | Bout | Bolt |
| 6 | 1 | STM1136 | Lager | Bearing |
| 7 | 1 | STM1137 | Lager | Bearing |
| 8 | 1 | STM1138 | Huis | Case |
| 9 | 1 | STM1139 | Klep | Plunger |
| 10 | 1 | STM1140 | Veer | Spring |
| 11 | 1 | STM1141 | Pakking | Gasket |
| 12 | 1 | STM1142 | Plug | Plug |
| 13 | 1 | STM1143 | Tandwiel | Gear |
| 14 | 1 | STM1144 | Tandwiel | Gear |
| 15 | 1 | STM1145 | Huis | Housing |
| 16 | 3 | STM2260 | Bout | Bolt |
| 17 | 2 | STM1146 | Plug | Plug |
| 18 | 1 | STM1147 | Pakking | Gasket |



M2.02 M2.04 M2.06 M2.C5 Carterpan + Oliepomp
M2.13 M2.18 M2.D5

Oil sump + Oil pump

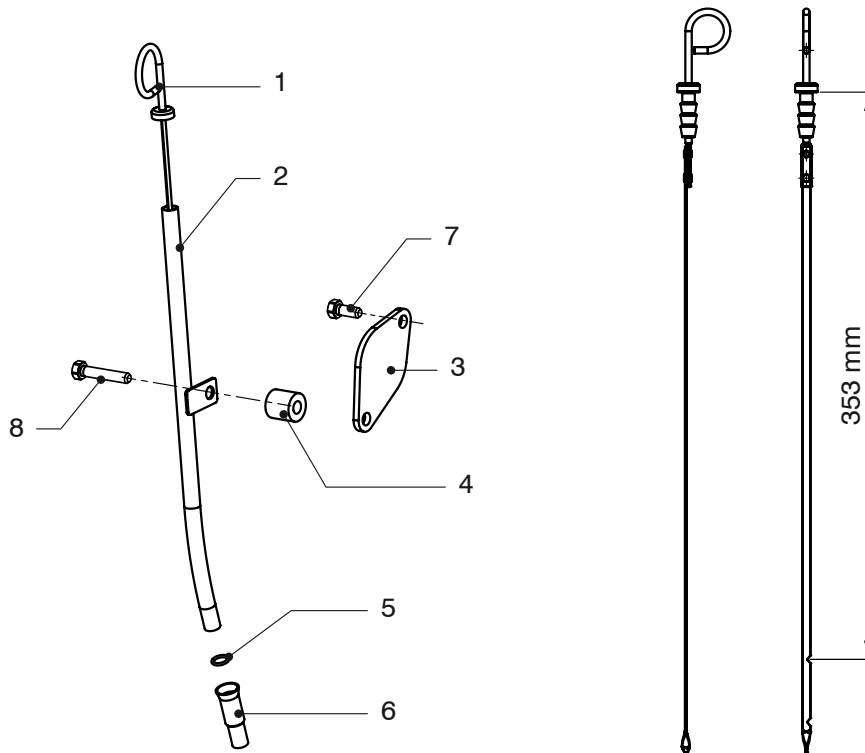
| pos. | qty | part | benaming | description |
|------|-----|---------|-----------------|-------------------|
| 19 | 1 | STM1148 | Huis | Housing |
| 20 | 1 | STM1149 | Pakking | Gasket |
| 26 | 1 | STM1150 | Keerring | Oil seal |
| 27 | 3 | STM6155 | Bout | Bolt |
| 28 | 4 | STM3562 | Bout | Bolt |
| 29 | 1 | STM1151 | Bout | Bolt |
| 30 | 4 | STM1652 | Bout | Bolt |
| 31 | 1 | STM1610 | Bout | Bolt |
| 32 | 3 | STM1153 | Tapeind | Stud |
| 33 | 1 | STM1154 | Tapeind | Stud |
| 34 | 2 | STM1155 | O-ring | O-ring |
| 35 | 1 | STM1156 | Plug | Cap |
| 36 | 1 | STM3565 | Vuldop + O-ring | Cap Assy + O-ring |
| 37 | 1 | STM3566 | O-ring | O-ring |
| 38 | 1 | STM0051 | Oliefilter | Oil filter |
| 39 | 1 | STM1157 | Moer | Nut |
| 40 | 1 | STM1158 | Aanzuigpijp | Screen Assy |
| 41 | 1 | STM1410 | Plug | Plug |



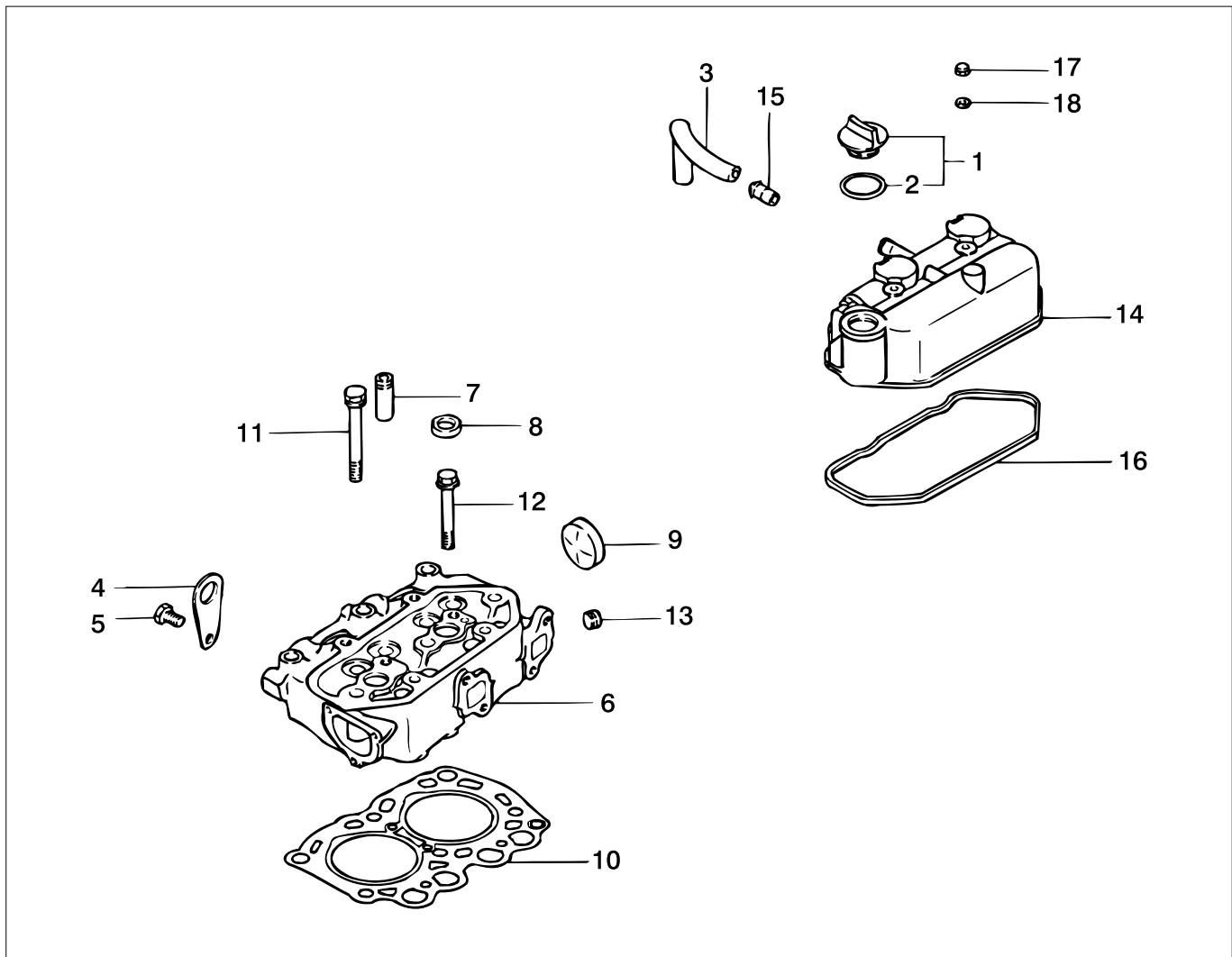
M2.02 M2.04 M2.06 M2.C5 M2.D5 **Peilstok**

Oil dipstick

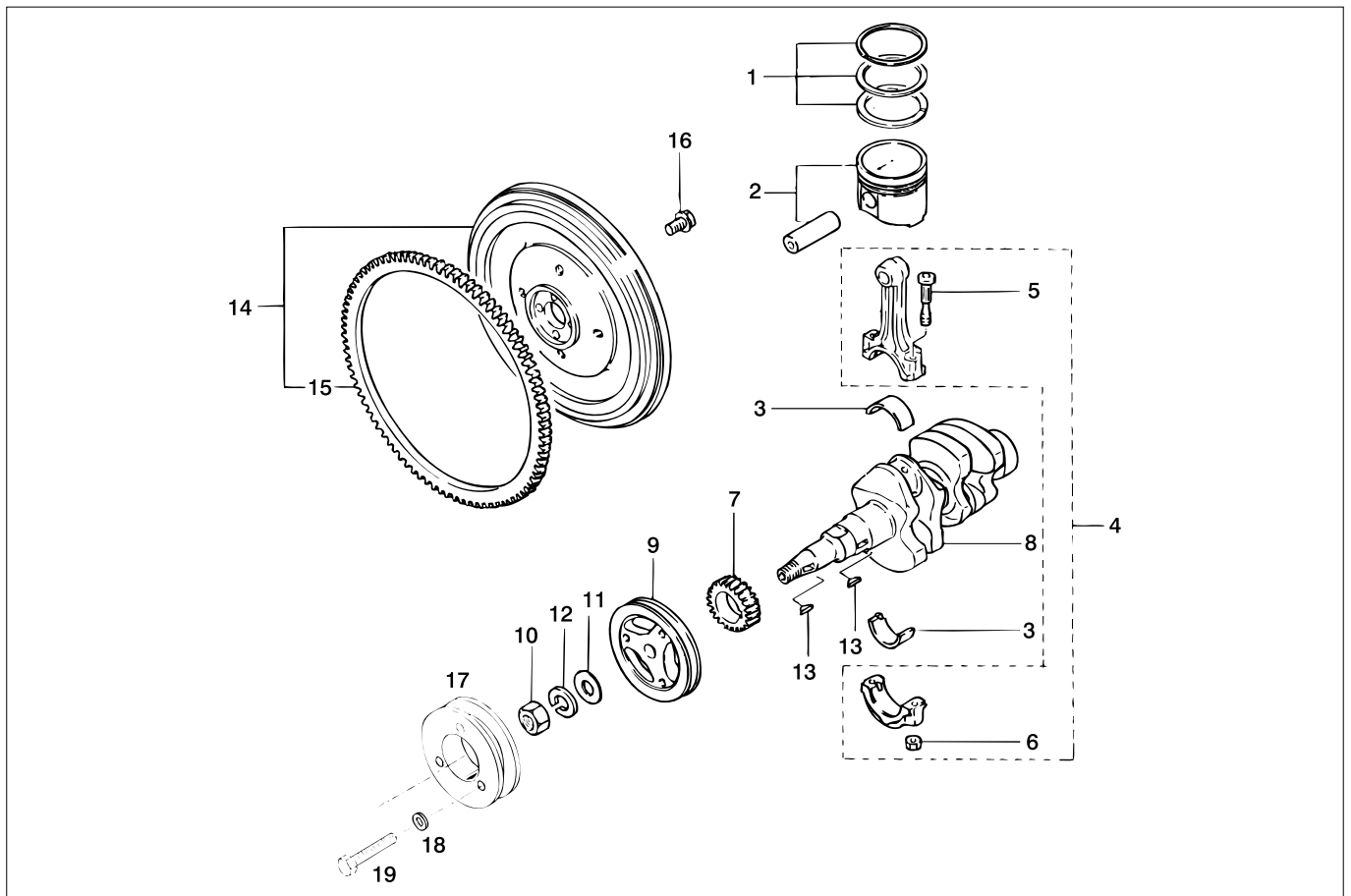
| pos. | qty | part | benaming | description |
|------|-----|---------|------------------------|-----------------------|
| 1 | 1 | STM1126 | Peilstok | Gauge |
| 2 | 1 | STM1103 | Geleider | Guide |
| 3 | 1 | STM6301 | Olie peilstok | Oil dipstick |
| 4 | 1 | STM6300 | Pijp | Tube |
| 5 | 1 | STM6305 | Klem | Clamp |
| 6 | 2 | STM3353 | Afdichtring M18 | Seal washer M18 |
| 7 | 1 | STM8168 | Banjobout M18x1,5 | Banjo bolt M18x1.5 |
| 8 | 1 | STM1056 | Veerring M8 | Spring washer M8 |
| 9 | 1 | STM2258 | Bout M8x45 | Bolt M8x45 |
| 10 | 1 | STM6306 | Set verlengde peilstok | Set extended dipstick |



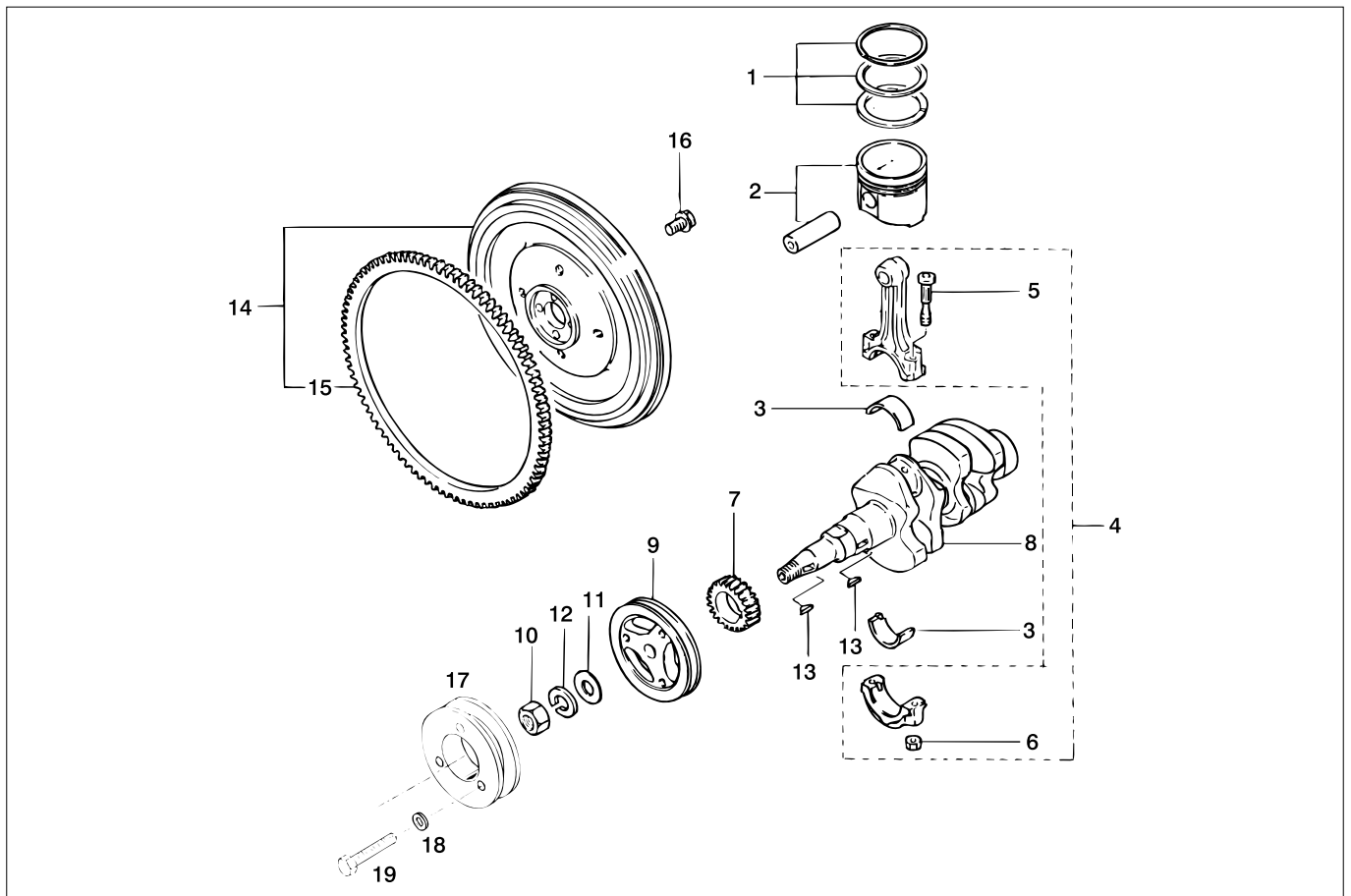
| M2.13 | | M2.18 | | Peilstok | Oil dipstick |
|-------|-----|----------|--------------|--------------|--------------|
| pos. | qty | part | benaming | description | |
| 1 | 1 | 08-01369 | Peilstok | Oil dipstick | |
| 2 | 1 | 08-01371 | Pijp | Tube | |
| 3 | 1 | 08-01376 | Deksel | Cover | |
| 4 | 1 | 08-01372 | Bus | Bushing | |
| 5 | 1 | 08-01373 | O-ring | O-ring | |
| 6 | 1 | 08-01377 | Geleider | Guide | |
| 7 | 1 | STM4055 | Bout M8 x 16 | Bolt M8 x 16 | |
| 8 | 1 | 08-01375 | Bout M8 x 35 | Bolt M8 x 35 | |
| | | | | | |
| | | | | | |
| | | | | | |
| | | | | | |



| pos. | qty | part | benaming | description |
|------|-----|---------|-------------------------------|-----------------------------|
| 1 | 1 | STM3565 | Vuldop + O-ring | Cap Assy + O-ring |
| 2 | 1 | STM3566 | O-ring | O-ring |
| 3 | 1 | STM1159 | Slang | Hose |
| 4 | 1 | STM6254 | Hijsoog | Hanger |
| 5 | 1 | STM1160 | Bout | Bolt |
| 6-9 | 1 | STM1408 | Cilinderkop M2.06/M2.13/M2.18 | Head Assy M2.06/M2.13/M2.18 |
| | 1 | STM1411 | Cilinderkop M2.04 | Head Assy M2.04 |
| | 1 | STM1094 | Cilinderkop M2.C5/M2.D5 | Head Assy M2.C5/M2.D5 |
| 7 | 4 | STM1162 | Geleider | Guide |
| 8 | 1 | STM1163 | Kap | Cap sealing |
| 9 | 1 | STM1164 | Plug | Plug |
| 10 | 1 | STM1409 | Pakking M2.06/M2.13/M2.18 | Gasket M2.06/M2.13/M2.18 |
| | 1 | STM1412 | Pakking M2.04 | Gasket M2.04 |
| | 1 | STM1095 | Pakking M2.C5/M2.D5 | Gasket M2.C5/M2.D5 |
| 11 | 6 | STM1166 | Bout | Bolt |
| 12 | 2 | STM1167 | Bout | Bolt |
| 13 | 1 | STM1168 | Plug | Plug |
| 14 | 1 | STM1169 | Deksel + pijp | Cover Assy + pijp |
| 15 | 1 | STM1170 | Pijp | Pipe |
| 16 | 1 | STM1171 | Pakking | Gasket |
| 17 | 2 | STM1172 | Moer | Nut |
| 18 | 2 | STM1173 | Ring | Washer |



| M2.C5 M2.D5 | | | Krukas | Crankshaft |
|-------------|-----|---------|-------------------------------|---------------------------------|
| pos. | qty | part | benaming | description |
| 1 | 2 | STM1087 | Ringenset std M2.C5/M2.D5 | Ring set std M2.C5/M2.D5 |
| | | STM1088 | Ringenset 0,25 OS M2.C5/M2.D5 | Ring set 0.25 OS M2.C5/M2.D5 |
| | | STM1089 | Ringenset 0,50 OS M2.C5/M2.D5 | Ring set 0.50 OS M2.C5/M2.D5 |
| 2 | 2 | STM1090 | Zuiger std M2.C5/M2.D5 | Piston std M2.C5/M2.D5 |
| | | STM1091 | Zuiger 0,25 OS M2.C5/M2.D5 | Piston 0.25 OS M2.C5/M2.D5 |
| | | STM1092 | Zuiger 0,50 OS M2.C5/M2.D5 | Piston 0.50 OS M2.C5/M2.D5 |
| 3 | 2 | STM1421 | Lagerset std M2.C5/M2.D5 | Bearing set std M2.C5/M2.D5 |
| | | STM1422 | Lagerset 0,25 OS M2.C5/M2.D5 | Bearing set 0.25 OS M2.C5/M2.D5 |
| | | STM1423 | Lagerset 0,50 OS M2.C5/M2.D5 | Bearing set 0.50 OS M2.C5/M2.D5 |
| 4 | 2 | STM1097 | Drijfstang cpl M2.C5/M2.D5 | Rod cpl M2.C5/M2.D5 |
| 5 | 4 | STM1177 | Bout | Bolt |
| 6 | 4 | STM3586 | Moer | Nut |
| 7 | 1 | STM1179 | Tandwiel | Gear |
| 8 | 1 | STM1180 | Krukas | Crankshaft |
| 9 | 1 | STM1181 | Pulley krukas | Pulley crankshaft |
| 10 | 1 | STM1182 | Moer | Nut |
| 11 | 1 | STM1183 | Ring | Washer |
| 12 | 1 | STM1184 | Ring | Washer |
| 13 | 2 | STM1185 | Spie | Key |
| 14 | 1 | STM1186 | Vliegwiél cpl | Flywheel assy |
| 15 | 1 | STM3600 | Tandkrans | Gear |
| 16 | 4 | STM1187 | Bout | Bolt |
| 17 | 1 | STM1035 | Extra Pulley- optie | Extra Pulley- option |
| 18 | 3 | STM2022 | Ring | Washer |
| 19 | 3 | STM4013 | Bout M10x1,25x30 | Bolt M10x1,25x30 |

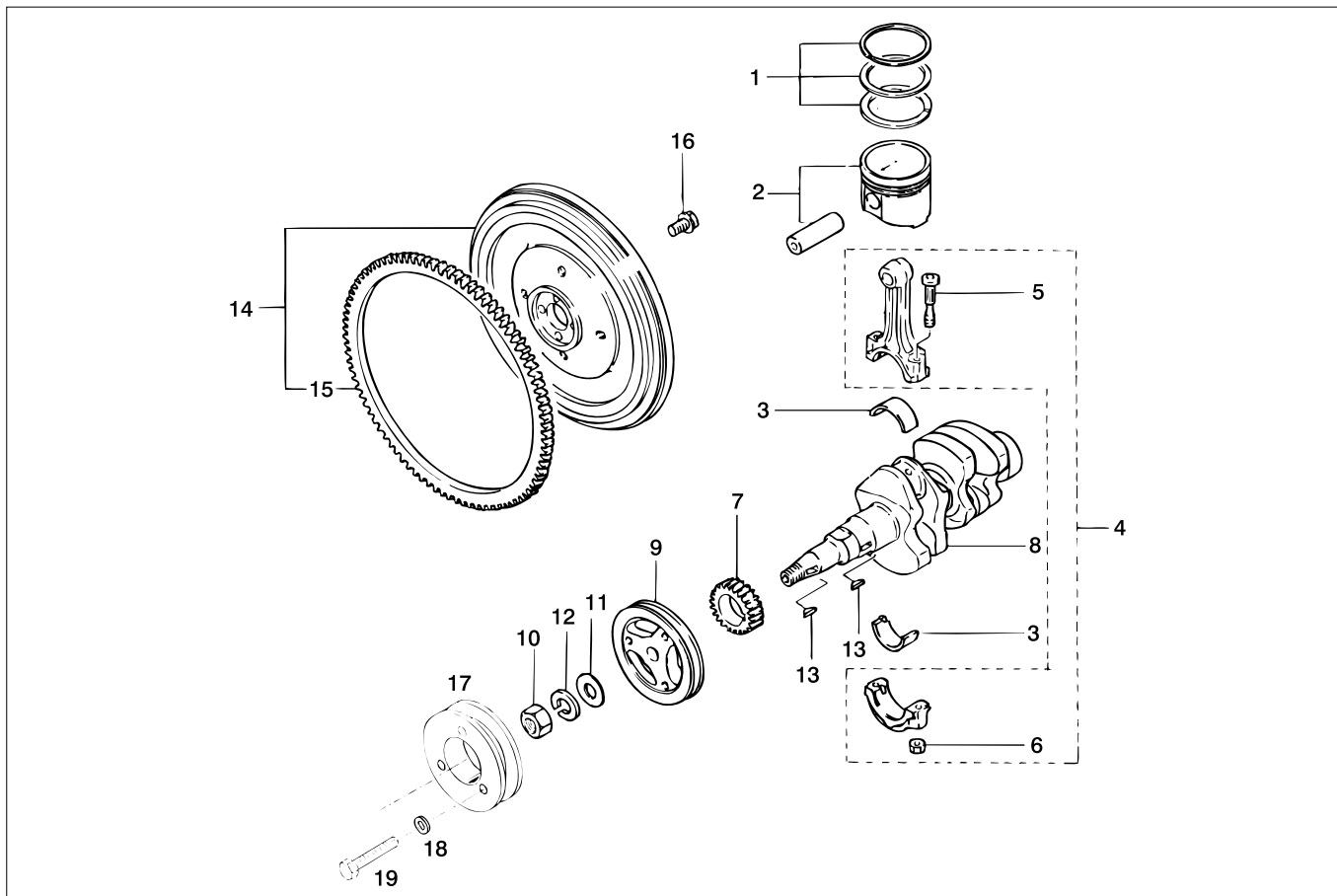


M2.04

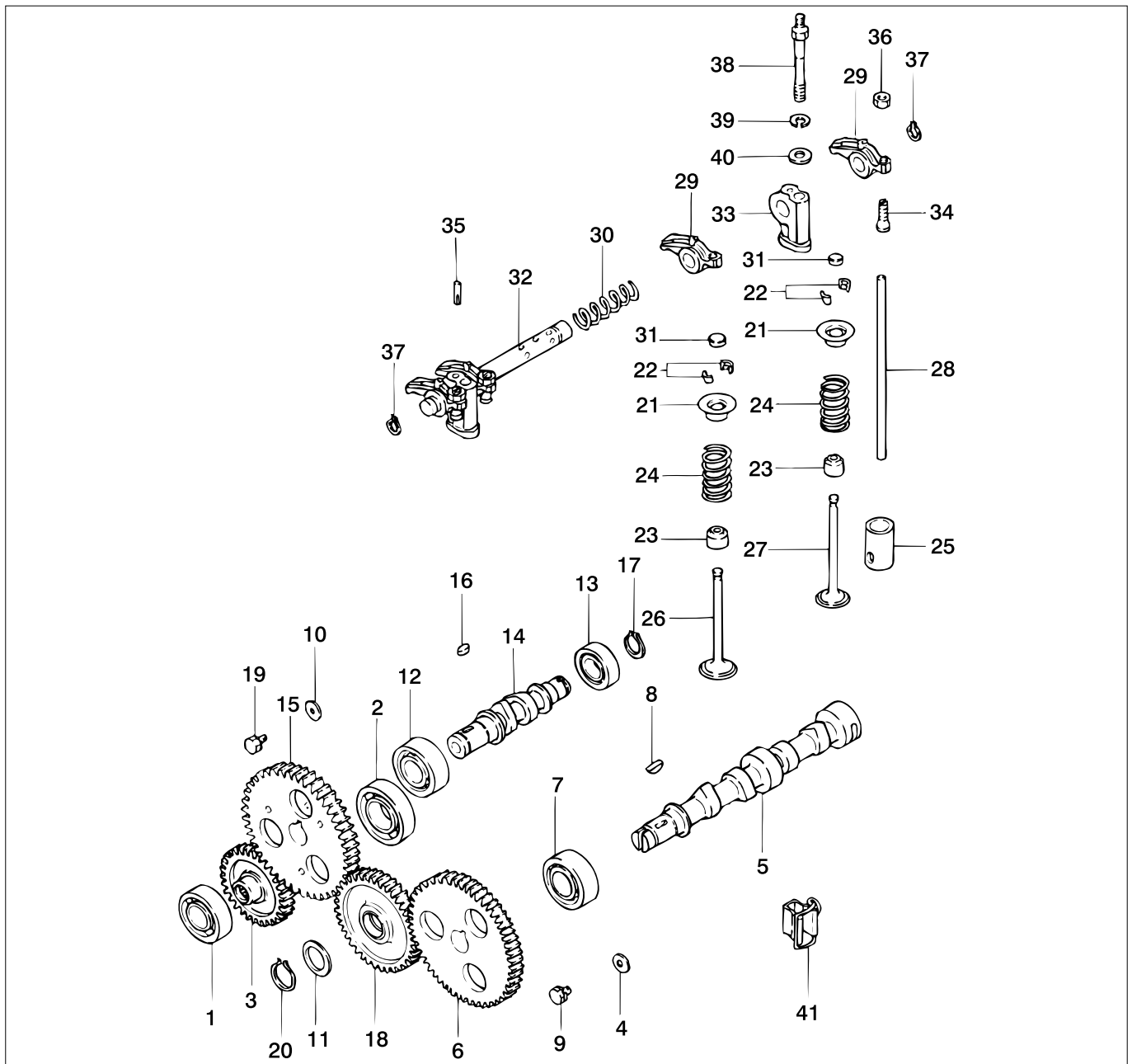
Krukas

Crankshaft

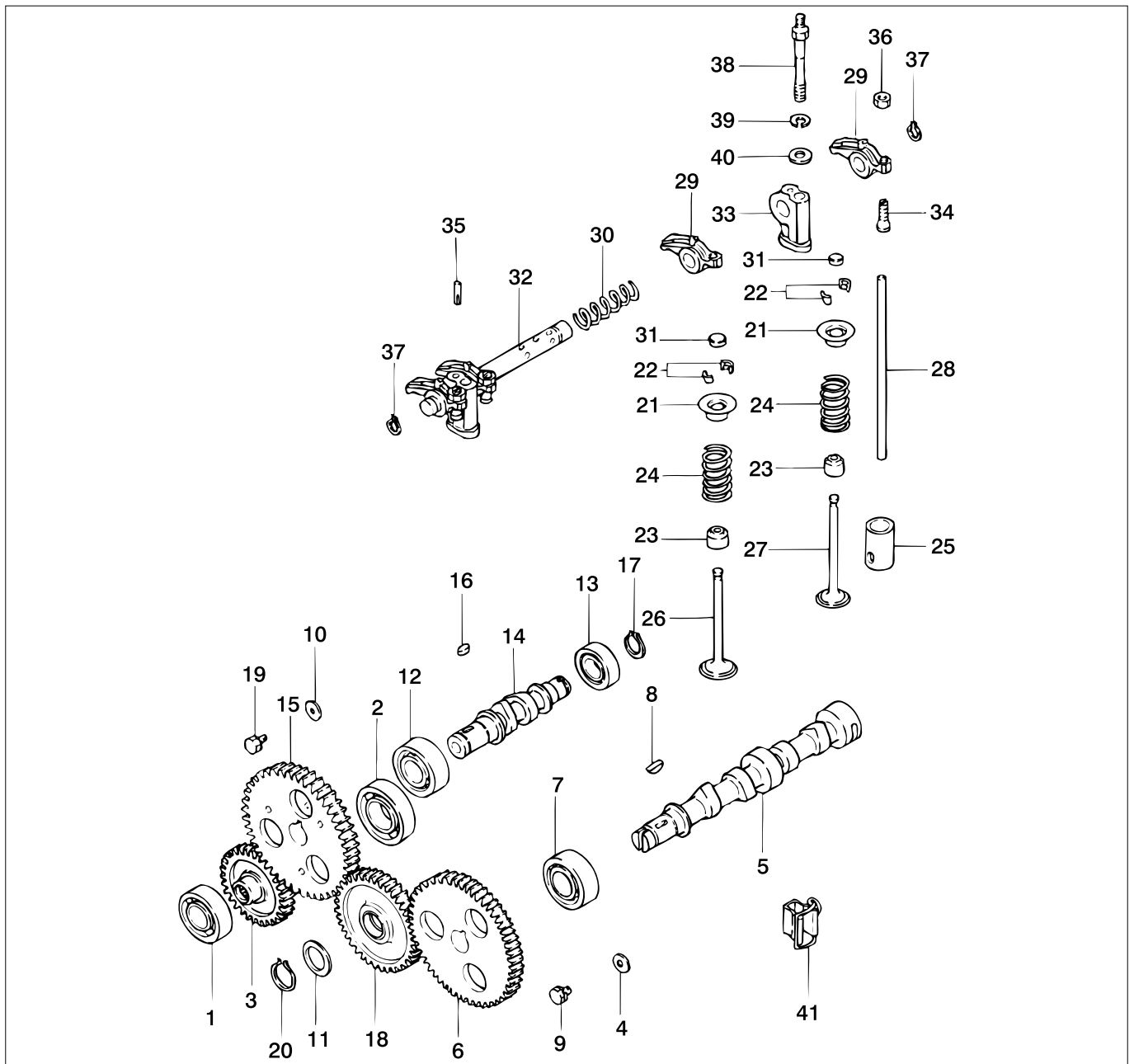
| pos. | qty | part | benaming | description |
|------|-----|---------|-------------------------|---------------------------|
| 1 | 2 | STM1413 | Ringenset std M2.04 | Ring set std M2.04 |
| | | STM1414 | Ringenset 0,25 OS M2.04 | Ring set 0.25 OS M2.04 |
| | | STM1415 | Ringenset 0,50 OS M2.04 | Ring set 0.50 OS M2.04 |
| 2 | 2 | STM1436 | Zuiger std M2.04 | Piston std M2.04 |
| | | STM1437 | Zuiger 0,25 OS M2.04 | Piston 0.25 OS M2.04 |
| | | STM1438 | Zuiger 0,50 OS M2.04 | Piston 0.50 OS M2.04 |
| 3 | 2 | STM1421 | Lagerset std M2.04 | Bearing set std M2.04 |
| | | STM1422 | Lagerset 0,25 OS M2.04 | Bearing set 0.25 OS M2.04 |
| | | STM1423 | Lagerset 0,50 OS M2.04 | Bearing set 0.50 OS M2.04 |
| 4 | 2 | STM1419 | Drijfstang cpl M2.04 | Rod cpl M2.04 |
| 5 | 4 | STM1177 | Bout | Bolt |
| 6 | 4 | STM3586 | Moer | Nut |
| 7 | 1 | STM1179 | Tandwiel | Gear |
| 8 | 1 | STM1180 | Krukas | Crankshaft |
| 9 | 1 | STM1181 | Pulley krukas | Pulley crankshaft |
| 10 | 1 | STM1182 | Moer | Nut |
| 11 | 1 | STM1183 | Ring | Washer |
| 12 | 1 | STM1184 | Ring | Washer |
| 13 | 2 | STM1185 | Spie | Key |
| 14 | 1 | STM1186 | Vliegwiel cpl | Flywheel assy |
| 15 | 1 | STM3600 | Tandkrans | Gear |
| 16 | 4 | STM1187 | Bout | Bolt |
| 17 | 1 | STM1035 | Extra Pulley- optie | Extra Pulley- option |
| 18 | 3 | STM2022 | Ring | Washer |
| 19 | 3 | STM4013 | Bout M10x1,25x30 | Bolt M10x1,25x30 |



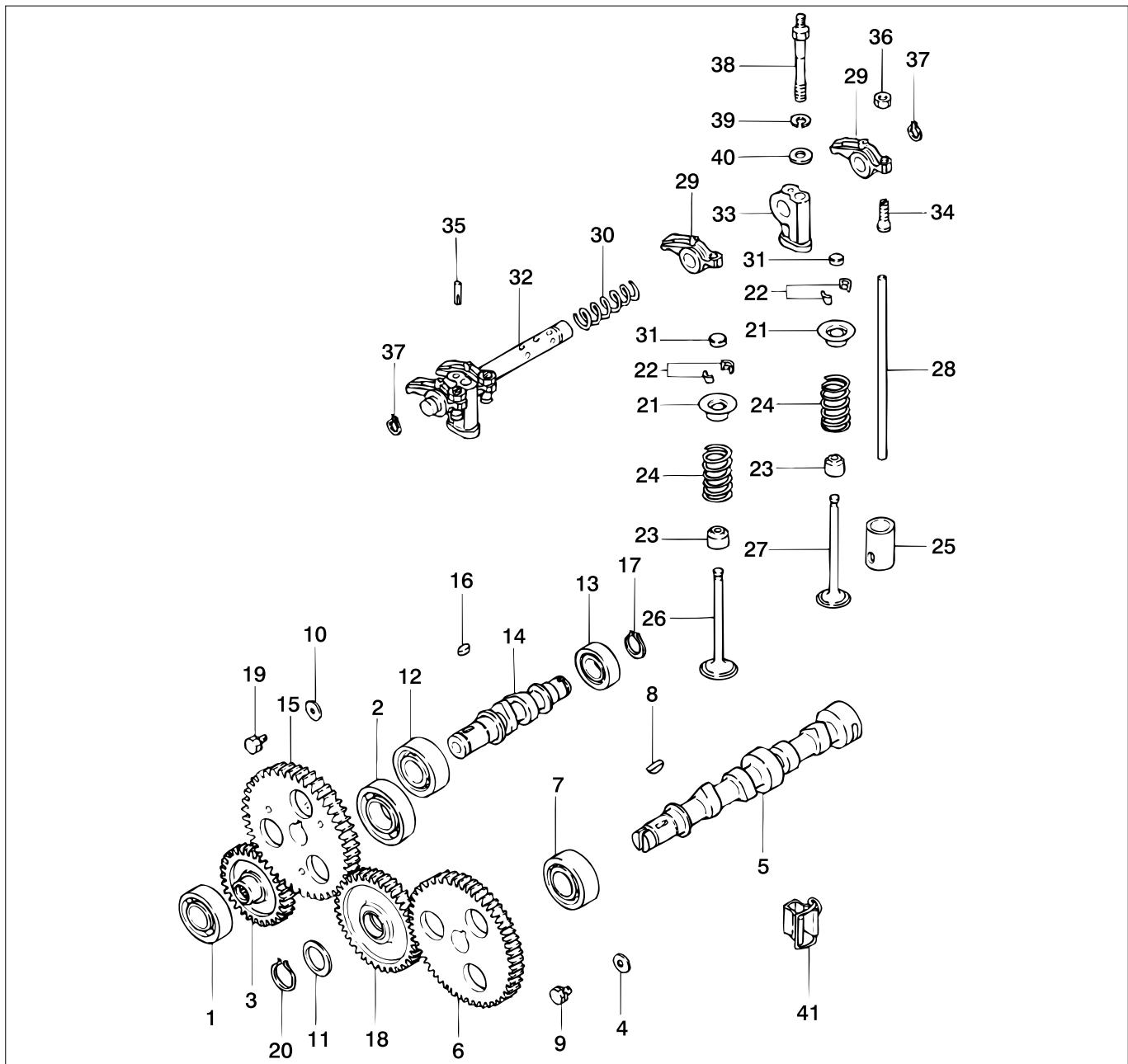
| M2.02 M2.13 | M2.06 M2.18 | Krukas | Crankshaft | |
|----------------|----------------|---------|-------------------------------------|---------------------------------------|
| pos. | qty | part | benaming | description |
| 1 | 2 | STM1397 | Ringenset std M2.06/M2.13/M2.18 | Ring set std M2.06/M2.13/M2.18 |
| 1 | | STM1398 | Ringenset 0,25 OS M2.06/M2.13/M2.18 | Ring set 0.25 OS M2.06/M2.13/M2.18 |
| 1 | | STM1399 | Ringenset 0,50 OS M2.06/M2.13/M2.18 | Ring set 0.50 OS M2.06/M2.13/M2.18 |
| 2 | 2 | STM1430 | Zuiger std M2.06/M2.13/M2.18 | Piston std M2.06/M2.13/M2.18 |
| 2 | | STM1431 | Zuiger 0,25 OS M2.06/M2.13/M2.18 | Piston 0.25 OS M2.06/M2.13/M2.18 |
| 2 | | STM1432 | Zuiger 0,50 OS M2.06/M2.13/M2.18 | Piston 0.50 OS M2.06/M2.13/M2.18 |
| 3 | 2 | STM1421 | Lagerset std M2.06/M2.13/M2.18 | Bearing set std M2.06/M2.13/M2.18 |
| 3 | | STM1422 | Lagerset 0,25 OS M2.06/M2.13/M2.18 | Bearing set 0.25 OS M2.06/M2.13/M2.18 |
| 3 | | STM1423 | Lagerset 0,50 OS M2.06/M2.13/M2.18 | Bearing set 0.50 OS M2.06/M2.13/M2.18 |
| 4 | 2 | STM1420 | Drijfstang cpl M2.06/M2.13/M2.18 | Rod cpl M2.06/M2.13/M2.18 |
| 5 | 4 | STM1177 | Bout | Bolt |
| 6 | 4 | STM3586 | Moer | Nut |
| 7 | 1 | STM1179 | Tandwiel | Gear |
| 8 | 1 | STM1180 | Krukas | Crankshaft |
| 9 | 1 | STM1181 | Pulley krukas | Pulley crankshaft |
| 10 | 1 | STM1182 | Moer | Nut |
| 11 | 1 | STM1183 | Ring | Washer |
| 12 | 1 | STM1184 | Ring | Washer |
| 13 | 2 | STM1185 | Spie | Key |
| 14 | 1 | STM1186 | Vliegwiel cpl | Flywheel assy |
| 15 | 1 | STM3600 | Tandkrans | Gear |
| 16 | 4 | STM1187 | Bout | Bolt |
| 17 | 1 | STM1035 | Extra Pulley- optie | Extra Pulley- option |
| 18 | 3 | STM2022 | Ring | Washer |
| 19 | 3 | STM4013 | Bout M10x1,25x30 | Bolt M10x1,25x30 |



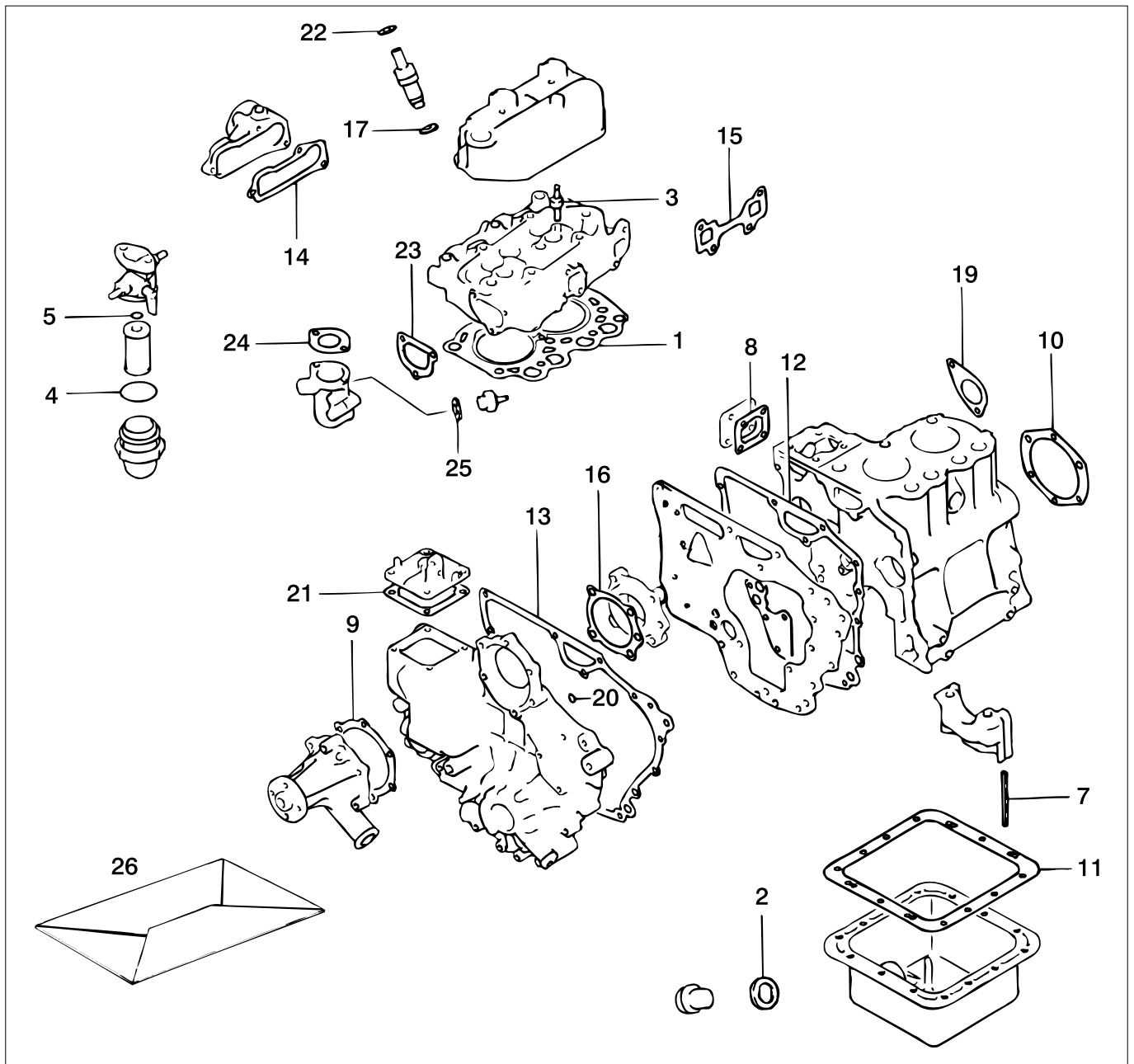
| pos. | qty | part | benaming | description |
|------|-----|---------|----------|-------------|
| 1 | 1 | STM1198 | Lager | Bearing |
| 2 | 1 | STM1189 | Lager | Bearing |
| 3 | 1 | STM1190 | Tandwiel | Gear |
| 4 | 1 | STM1191 | Ring | Washer |
| 5 | 1 | STM1192 | Nokkenas | Camshaft |
| 6 | 1 | STM1193 | Tandwiel | Gear |
| 7 | 1 | STM1198 | Lager | Bearing |
| 8 | 1 | STM3604 | Spie | Key |
| 9 | 1 | STM1195 | Bout | Bolt |
| 10 | 1 | STM1196 | Ring | Washer |
| 11 | 1 | STM8002 | Ring | Washer |
| 12 | 1 | STM1198 | Lager | Bearing |
| 13 | 1 | STM1199 | Lager | Bearing |
| 14 | 1 | STM1200 | As | Shaft |
| 15 | 1 | STM1201 | Tandwiel | Gear |
| 16 | 1 | STM1202 | Spie | Key |



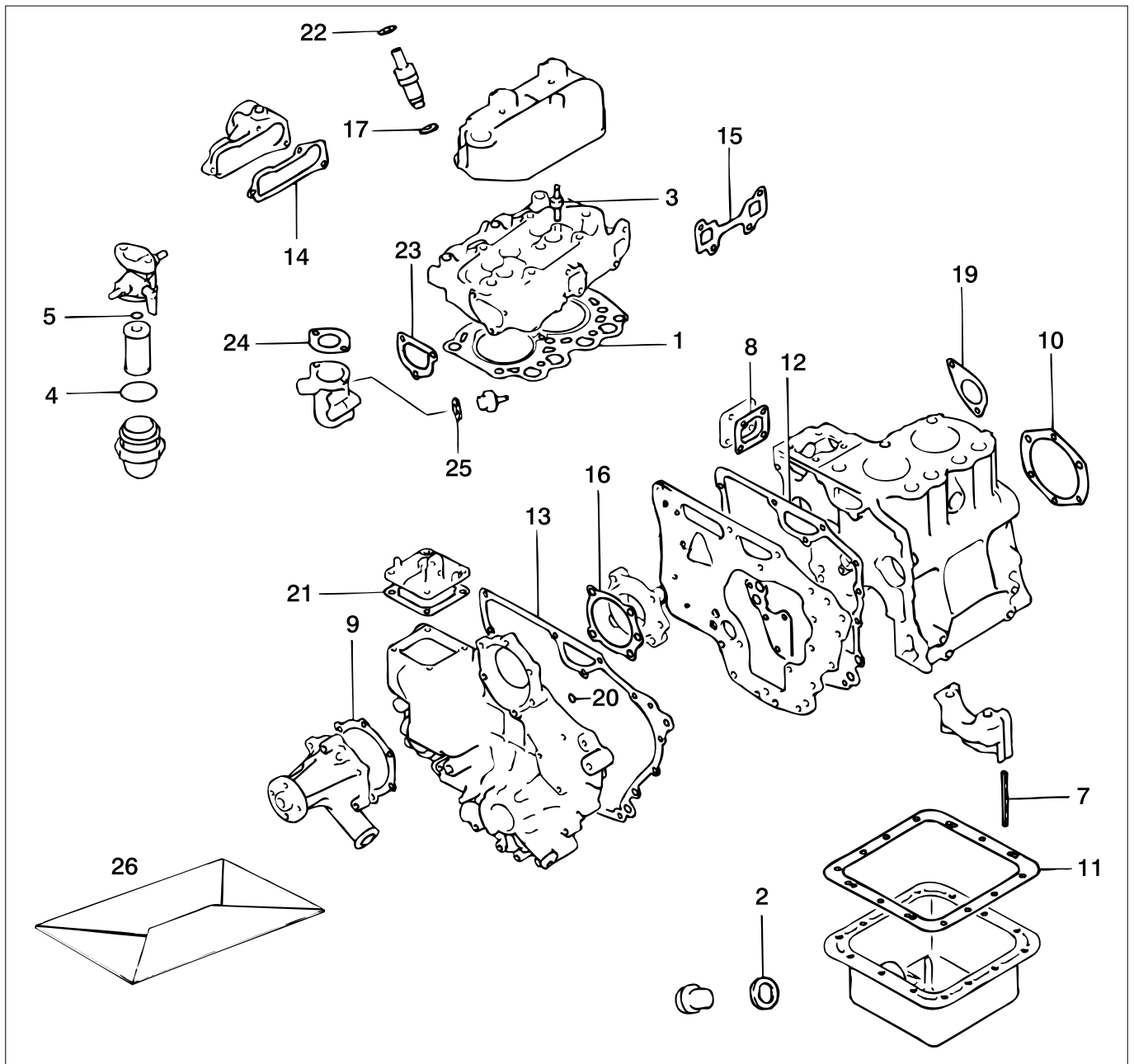
| M2.02 M2.13 | M2.04 | M2.06 M2.18 | M2.C5 M2.D5 | Distributie | Time Gear |
|----------------|-------|----------------|--------------------|-------------|-----------------------|
| pos. | qty | part | benaming | | description |
| 17 | 1 | STM1203 | Borg veer | | Snap ring |
| 18 | 1 | STM1204 | Tandwiel cpl | | Gear assy |
| 19 | 1 | STM1205 | Bout | | Bolt |
| 20 | 1 | STM1206 | Ring | | Snap ring |
| 21 | 4 | STM3620 | Veerschotel | | Retainer valve spring |
| 22 | 8 | STM2588 | Klepspie | | Lock valve retainer |
| 23 | 4 | STM2589 | Ring | | Seal |
| 24 | 4 | STM1207 | Veer | | Spring |
| 25 | 4 | STM1208 | Klepstoter | | Tappet |
| 26 | 2 | STM1209 | Klep inlaat | | Valve intake |
| 27 | 2 | STM1210 | Klep uitlaat | | Valve exhaust |
| 28 | 4 | STM1211 | Stoterstang | | Rod push |
| 29 | 4 | STM1212 | Tuimelaar | | Rocker arm |
| 30 | 1 | STM3612 | Veer | | Spring |
| 31 | 4 | STM1213 | Steun tuimelaar as | | Stay rockershaft |
| 32 | 1 | STM1214 | As | | Shaft |



| pos. | qty | part | benaming | description |
|------|-----|---------|-----------|-------------|
| 33 | 2 | STM3613 | Steun | Stay |
| 34 | 4 | STM1215 | Schroef | Screw |
| 35 | 1 | STM1216 | Pen | Pin |
| 36 | 4 | STM1217 | Moer | Nut |
| 37 | 2 | STM3614 | Borg ring | Snap ring |
| 38 | 2 | STM1218 | Bout | Bolt |
| 39 | 2 | STM1219 | Ring | Washer |
| 40 | 2 | STM1220 | Ring | Washer |
| 41 | 1 | STM1221 | Klem | Clamp |
| | | | | |
| | | | | |
| | | | | |
| | | | | |



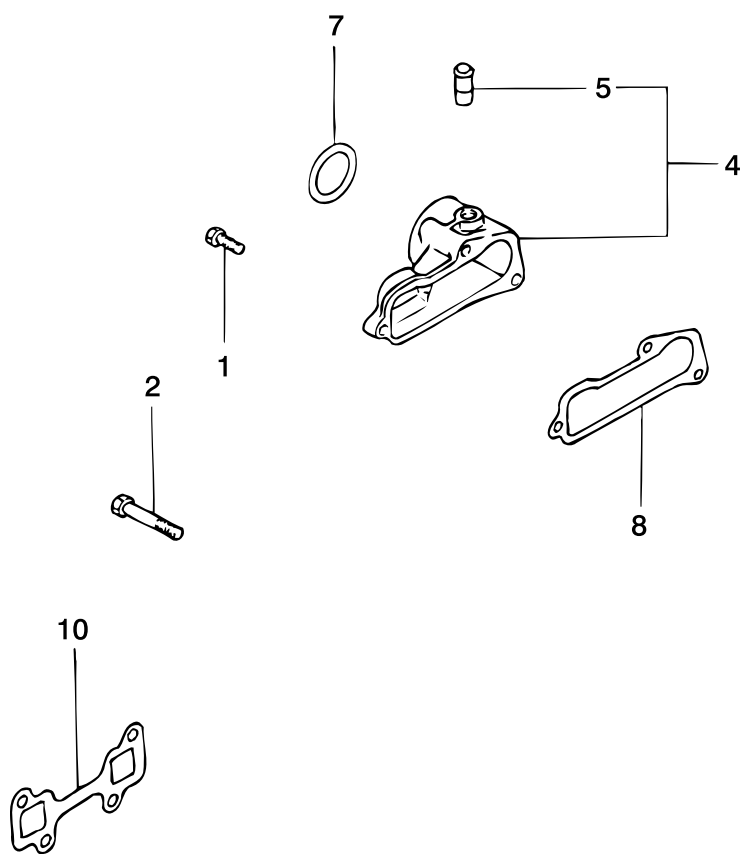
| pos. | qty | part | benaming | Gaskets | description |
|------|-----|---------|---------------------------------------|---------|--|
| 1 | 1 | STM1409 | Pakking cilinderkop M2.06/M2.13/M2.18 | | Gasket cylinder head M2.06/M2.13/M2.18 |
| | 1 | STM1412 | Pakking cilinderkop M2.04 | | Gasket cylinder head M2.04 |
| | 1 | STM1095 | Pakking cilinderkop M2.C5/M2.D5 | | Gasket cylinder head M2.C5/M2.D5 |
| 2 | 2 | STM1133 | Pakking aftap plug | | Gasket drain plug |
| 3 | 4 | STM2589 | Ring | | Seal |
| 7 | 4 | STM1101 | Dichting | | Seal |
| 8 | 1 | STM1374 | Pakking pomp deksel | | Gasket tie rod cover |
| 9 | 1 | STM1230 | Pakking waterpomp | | Gasket waterpump |
| 10 | 1 | STM1113 | Pakking achterplaat | | Gasket tearplate |
| 11 | 1 | STM1135 | Pakking carterpan | | Gasket oilpan |
| 12 | 1 | STM1116 | Pakking voorplaat | | Gasket frontplate |
| 13 | 1 | STM1147 | Pakking distributie deksel | | Gasket gearcase |
| 14 | 1 | STM1226 | Pakking luchtinlaat | | Gasket air intake |
| 15 | 1 | STM6252 | Pakking uitlaat | | Gasket exhaust |
| 16 | 1 | STM1149 | Pakking | | Gasket |
| 17 | 2 | STM1299 | Pakking verstuiverhouder | | Gasket nozzle holder |



M2.02 M2.04 M2.06 M2.C5 **Pakkingen**
M2.13 M2.18 M2.D5

Gaskets

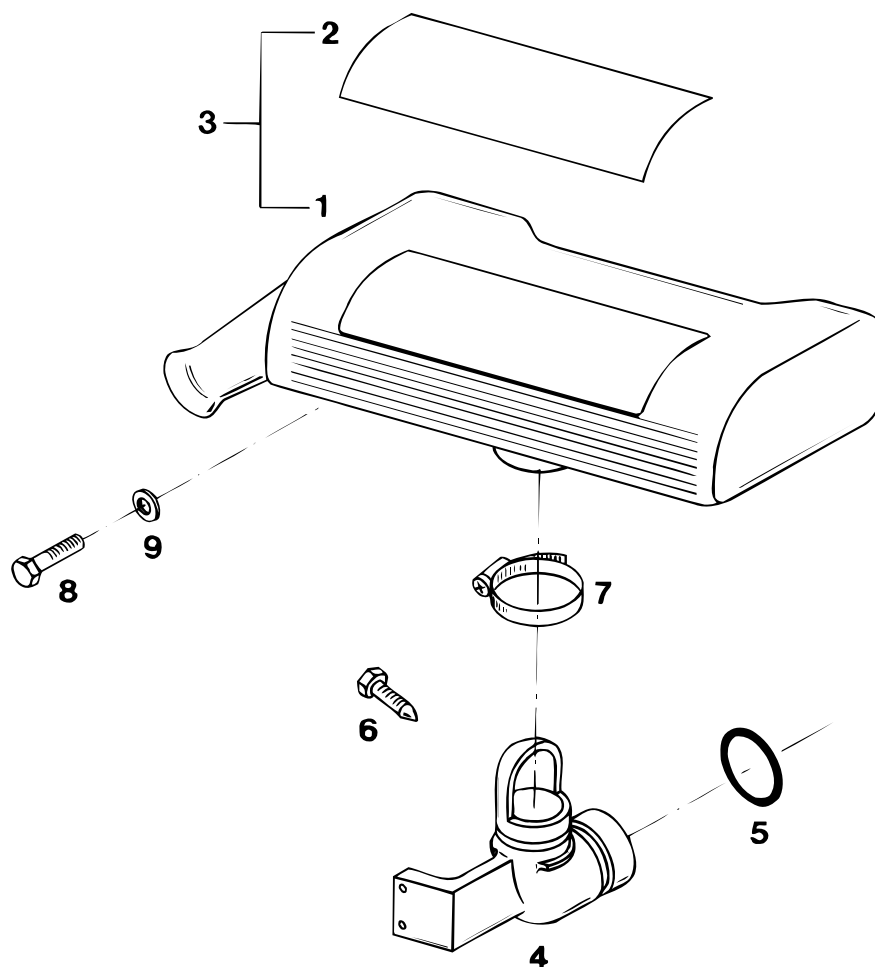
| pos. | qty | part | benaming | description |
|------|-----|---------|------------------------------|------------------------------|
| 19 | 1 | STM1114 | Pakking opvoerpomp | Gasket pump |
| 20 | 2 | STM1155 | O-ring | O-ring |
| 21 | 1 | STM1354 | Pakking | Gasket |
| 22 | 2 | STM1303 | Pakking | Gasket |
| 23 | 1 | STM1235 | Pakking | Gasket |
| 24 | 1 | STM6251 | Pakking thermostaathuis | Gasket thermostate housing |
| 25 | 1 | STM6269 | Ring | Ring |
| 26 | 1 | STM1424 | Pakkingset M2.06/M2.13/M2.18 | Gasket kit M2.06/M2.13/M2.18 |
| | 1 | STM1425 | Pakkingset M2.04 | Gasket kit M2.04 |
| | 1 | STM1096 | Pakkingset M2C5/M2.D5 | Gasket kit M2.C5/M2.D5 |



M2.02 M2.04 M2.06 M2.C5 Luchtinlaat
M2.13 M2.18 M2.D5

Air intake

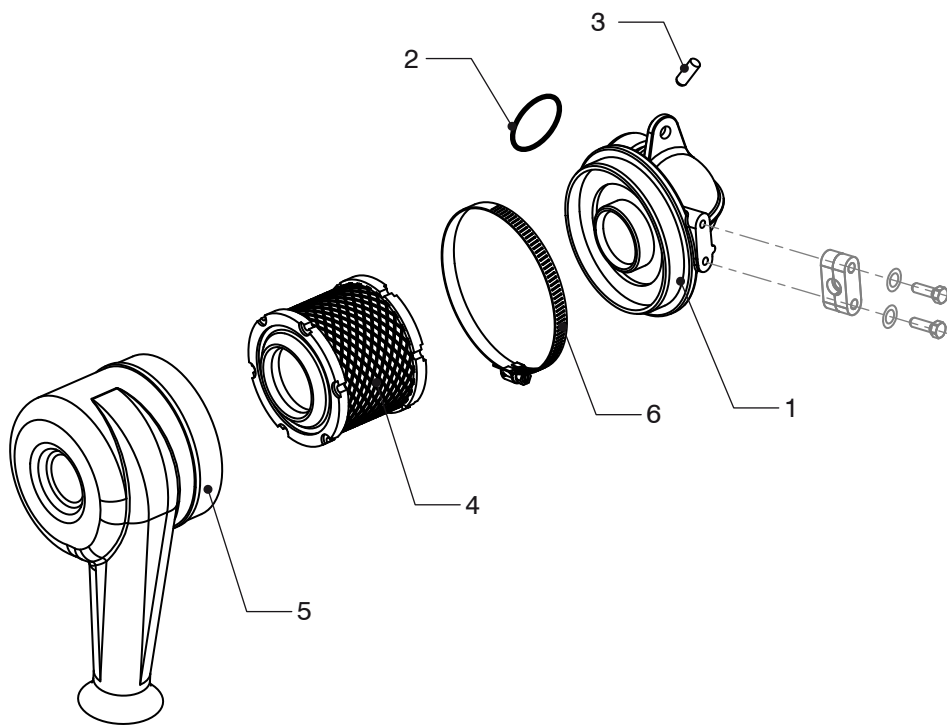
| pos. | qty | part | benaming | description |
|------|-----|---------|---------------|--------------|
| 1 | 1 | STM1222 | Bout | Bolt |
| 2 | 2 | STM1223 | Bout | Bolt |
| 4 | 1 | STM1224 | Deksel + pijp | Cover + pipe |
| 5 | 1 | STM1225 | Pijp | Pipe |
| 7 | 1 | STM6120 | O-ring | O-ring |
| 8 | 1 | STM1226 | Pakking | Gasket |
| 10 | 1 | STM6252 | Pakking | Gasket |
| | | | | |
| | | | | |
| | | | | |
| | | | | |
| | | | | |
| | | | | |



M2.02 M2.04 M2.06 M2.C5 M2.D5 Luchtinlaatkast 2014 <-

Air intake Housing 2014 <-

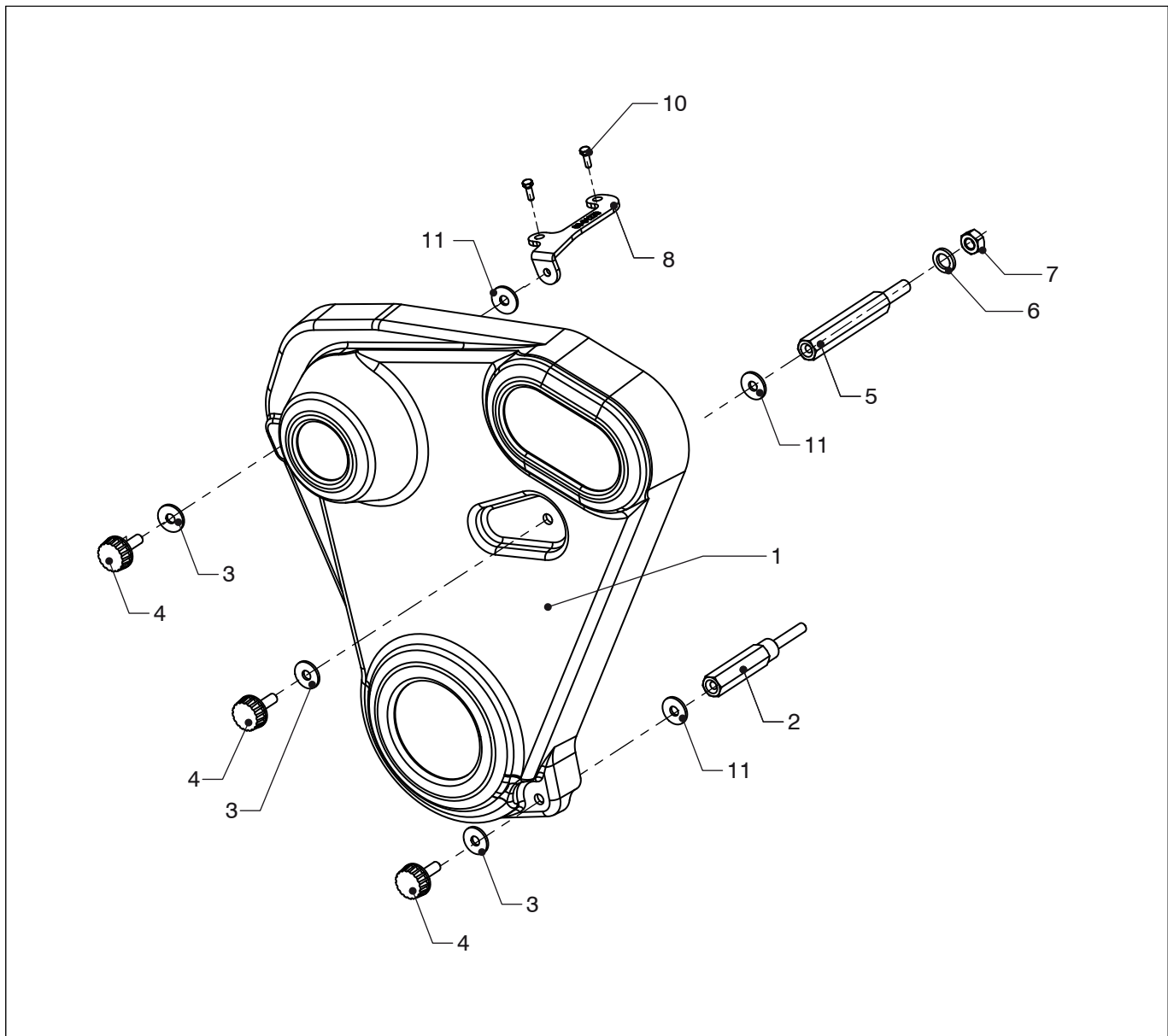
| pos. | qty | part | benaming | description |
|------|-----|---------|----------------------------|-------------------------------|
| 1 | 1 | STM6119 | Luchtinlaatkast | Air intake housing |
| 2 | 1 | STM9479 | Sticker M2.02 | Sticker M2.02 |
| | 1 | STM6227 | Sticker M2.04 | Sticker M2.04 |
| | 1 | STM6133 | Sticker M2.06 | Sticker M2.06 |
| | 1 | STM6240 | Sticker M2.C5 | Sticker M2.C5 |
| | 1 | STM6295 | Sticker M2.D5 | Sticker M2.D5 |
| 3 | 1 | STM9480 | Luchtinlaatkast cpl. M2.02 | Air intake housing cpl. M2.02 |
| | 1 | STM6228 | Luchtinlaatkast cpl. M2.04 | Air intake housing cpl. M2.04 |
| | 1 | STM6158 | Luchtinlaatkast cpl. M2.06 | Air intake housing cpl. M2.06 |
| | 1 | STM6241 | Luchtinlaatkast cpl. M2.C5 | Air intake housing cpl. M2.C5 |
| | 1 | STM6296 | Luchtinlaatkast cpl. M2.D5 | Air intake housing cpl. M2.D5 |
| 4 | 1 | STM6114 | Luchtinlaat bocht | Air intake bend |
| 5 | 1 | STM6120 | O-ring 36x3,5 | O-ring 36x3,5 |
| 6 | 1 | STM6139 | Stelschroef M6x12 | Setting screw M6x12 |
| 7 | 1 | STM3012 | Slangklem 38x50 | Hose clamp 38x50 |
| 8 | 1 | STM3355 | Bout M8x20 | Bolt M8x20 |
| 9 | 1 | STM3749 | Ring | Washer |



Luchtfilter

Air cleaner

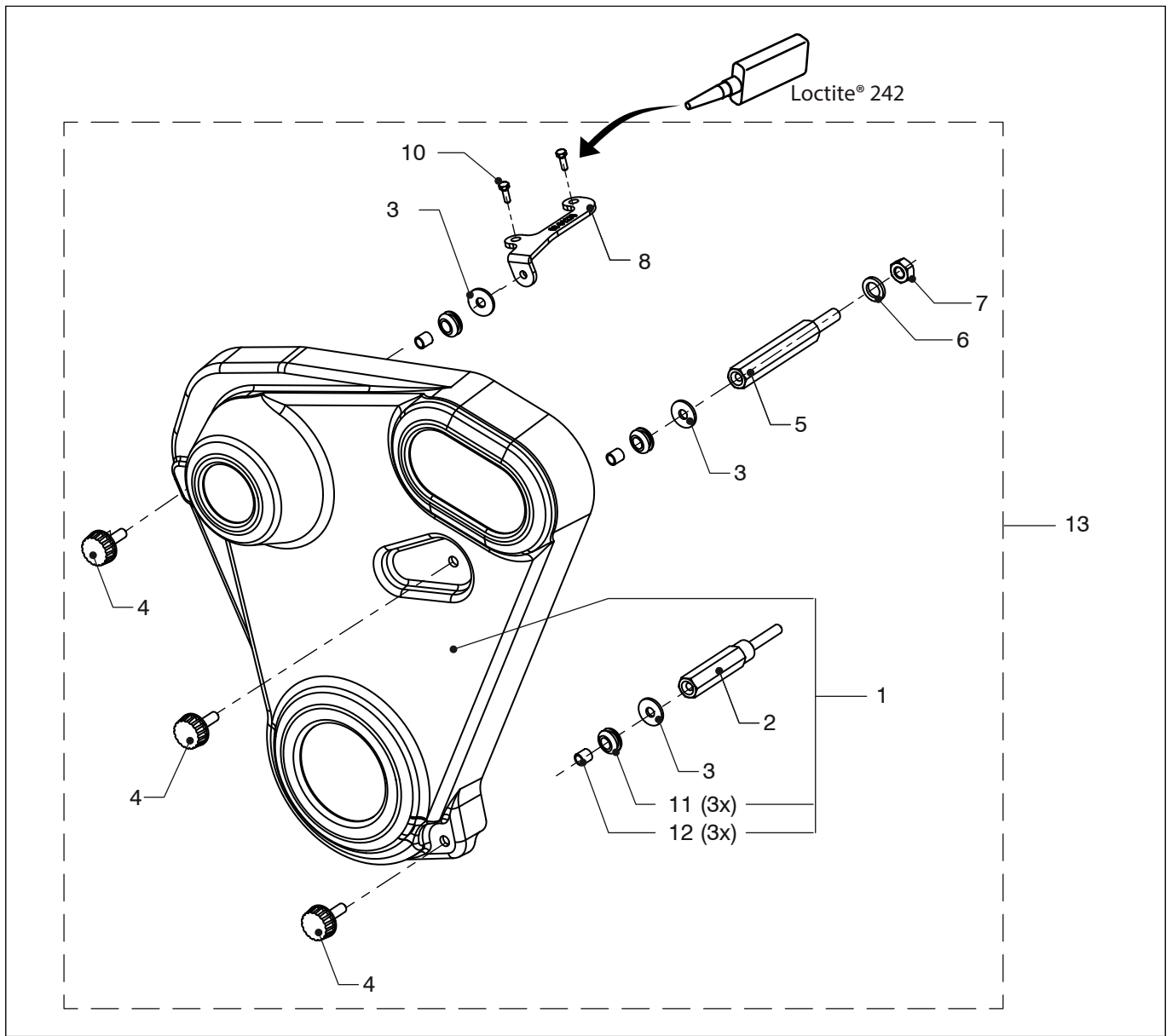
| M2.13 | | M2.18 | | | |
|-------|-----|----------|-----------------------|--|---------------------|
| pos. | qty | part | benaming | | description |
| 1 | 1 | 08-01266 | Luchtinlaat bocht | | Air intake elbow |
| 2 | 1 | STM6120 | O-ring 36x3,5 | | O-ring 36x3,5 |
| 3 | 1 | STM6139 | Stelschroef M6x12 | | Setting screw M6x12 |
| 4 | 1 | 08-01308 | Luchtfilter element | | Air cleaner element |
| 5 | 1 | 08-01267 | Luchtfilter behuizing | | Air cleaner case |
| 6 | 1 | 08-01265 | Slangklem 70-90 | | Hose clamp 70-90 |



Afschermkap 2016-04 <-

Protection cover 2016-04 <-

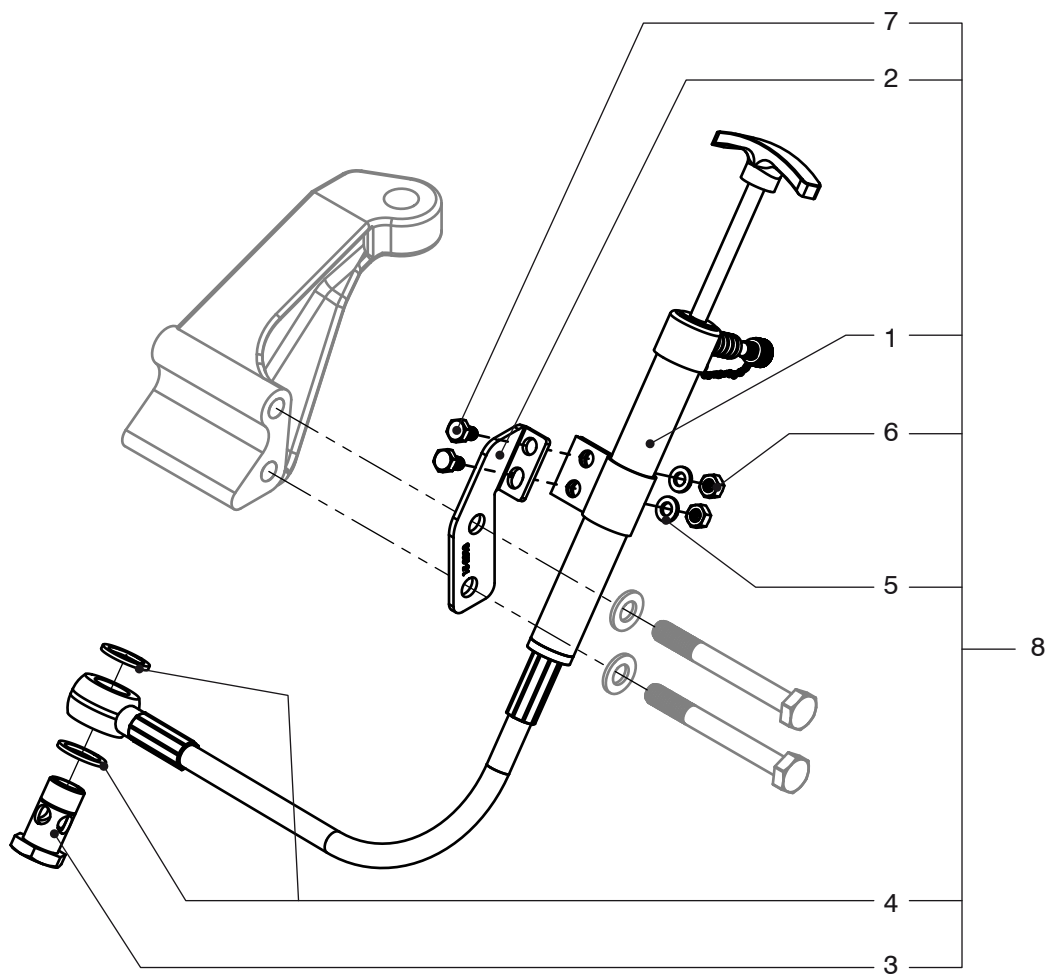
| M2.13 | | M2.18 | | | |
|-------|-----|----------|---------------------------|--|---------------------|
| pos. | qty | part | benaming | | description |
| 1 | 1 | 08-01275 | Afschermkap | | Protection cover |
| 2 | 1 | 08-01276 | Afstandsstuk L=61 (10 Nm) | | Spacer L=61 (10 Nm) |
| 3 | 3 | STM8726 | Ring M6 3D | | Washer M6 3D |
| 4 | 3 | 08-01277 | Draaiknop | | Turning knob |
| 5 | 1 | 08-01278 | Afstandsstuk L=77 | | Spacer L=77 |
| 6 | 1 | STM1056 | Veerring M8 | | Spring washer M8 |
| 7 | 1 | STM2005 | Moer M8 | | Nut M8 |
| 8 | 1 | 08-01279 | Steun | | Support |
| 10 | 2 | STM1024 | Bout M6x16 (5 Nm) | | Bolt M6x16 (5 Nm) |
| 11 | 3 | 08-01292 | Antiverliesring | | Anti-loss ring |
| | | | | | |
| | | | | | |
| | | | | | |
| | | | | | |



Afschermkap 2016-04 ->

Protection cover 2016-04 ->

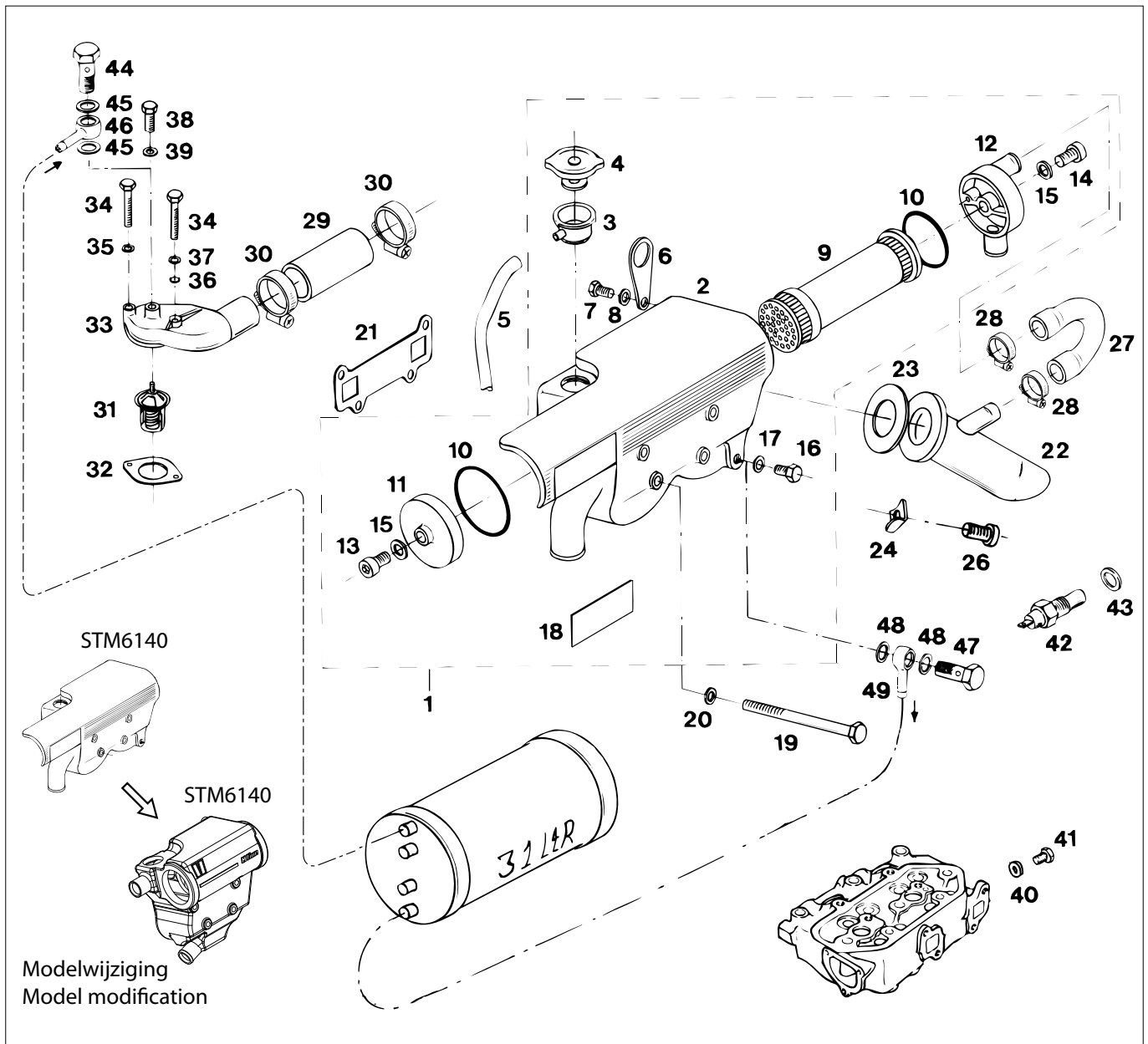
| M2.13 | | M2.18 | | | |
|-------|-----|---------------|--------------------------------|-----------------------------------|--|
| pos. | qty | part | benaming | description | |
| 1 | 1 | 08-01275 | Afschermkap | Protection cover | |
| 2 | 1 | 08-01276 | Afstandsstuk L=61 (10 Nm) | Spacer L=61 (10 Nm) | |
| 3 | 3 | STM8726 | Ring M6 3D | Washer M6 3D | |
| 4 | 3 | 08-01277 | Draaiknop | Turning knob | |
| 5 | 1 | 08-01278 | Afstandsstuk L=77 | Spacer L=77 | |
| 6 | 1 | STM1056 | Veerring M8 | Spring washer M8 | |
| 7 | 1 | STM2005 | Moer M8 | Nut M8 | |
| 8 | 1 | 08-01279 | Steun | Support | |
| 10 | 2 | STM1024 | Bout M6x16 (5 Nm) | Bolt M6x16 (5 Nm) | |
| 11 | 3 | 08-01495 | Rubber doorvoer | Rubber grommet | |
| 12 | 3 | 08-01496 | Bus | Bush | |
| 13 | 1 | VBELTCOVERM23 | Set afschermkap compl. M2 - M3 | Set protection cover cpl. M2 - M3 | |



Olief tappomp

Oil drain pump

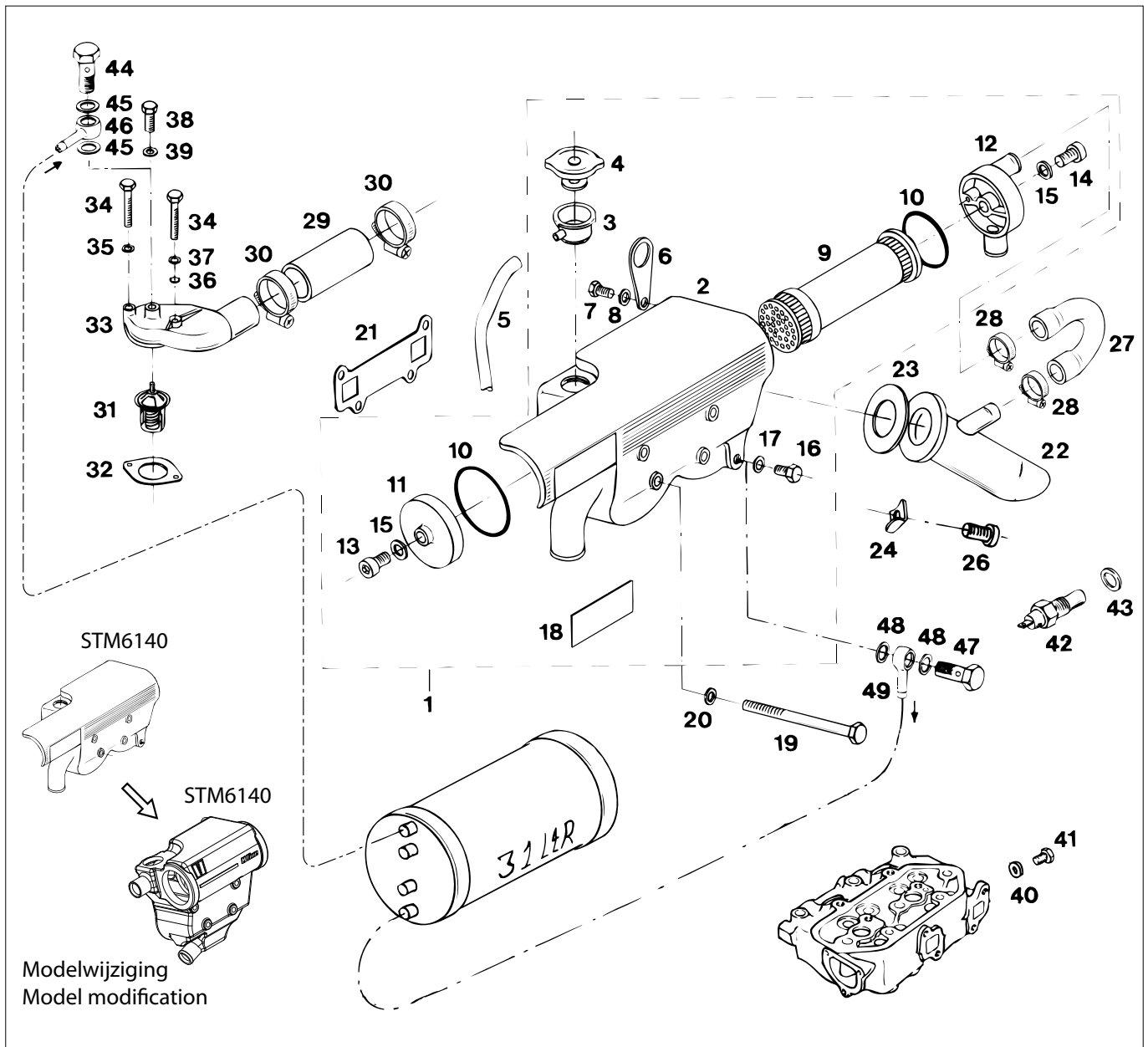
| M2.13 | M2.18 | | | |
|-------|-------|---------|-----------------------|-----------------------|
| pos. | qty | part | benaming | description |
| 1 | 1 | 15-2451 | Pomp compl. met slang | Pump compl. with hose |
| 2 | 1 | 15-2318 | Steun | Support |
| 3 | 1 | STM8168 | Banjo-bout M18 | Banjo bolt M18 |
| 4 | 2 | STM2019 | Afdichtring M18 | Seal washer M18 |
| 5 | 2 | STM1019 | Veerring M8 | Spring washer M8 |
| 6 | 2 | STM2005 | Moer M8 | Nut M8 |
| 7 | 2 | STM4055 | Bout M8 x 16 | Bolt M8 x 16 |
| 8 | 1 | 15-2988 | Set compleet | Kit cpl. |



M2.04 M2.06 M2.C5 M2.D5 **Warmtewisselaar units**

Heat exchanger units

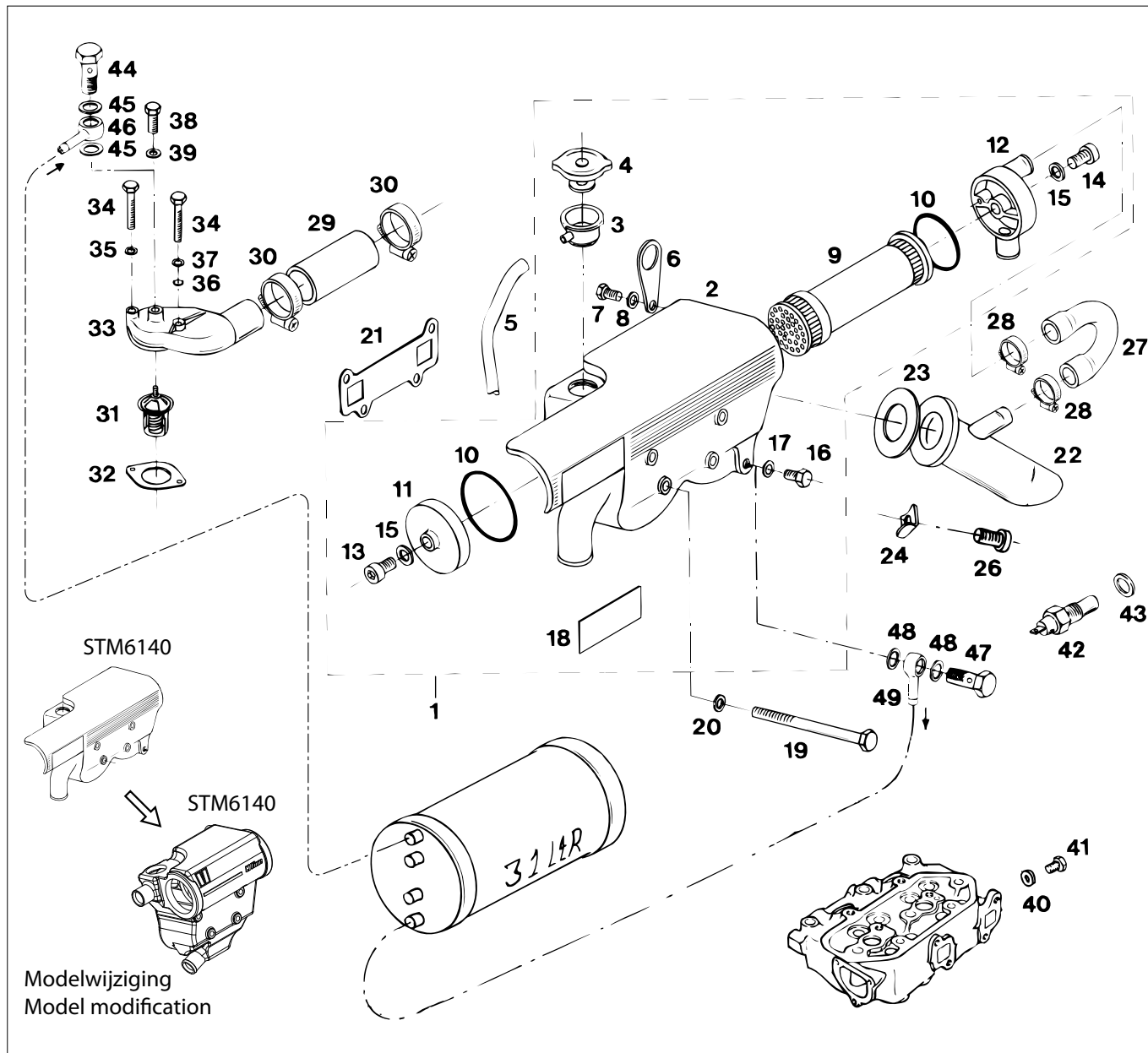
| pos. | qty | part | benaming | description |
|------|-----|----------|----------------------------|------------------------------|
| 1 | 1 | STM6142 | Warmtewisselaar compl. | Heatexchanger housing compl. |
| 2 | 1 | STM6140 | Warmtewisselaar huis | Heatexchanger housing |
| 3 | 1 | STM6108 | Vulnek | Filler neck |
| 4 | 1 | STM1017 | Vuldop 0,5 Bar | Filler cap 0.5 Bar |
| 5 | 1 | STM1027 | Slang | Hose |
| 6 | 1 | STM6254 | Hijsoog | Lifting eye |
| 7 | 1 | STM3355 | Bout M8x20 | Bolt M8x20 |
| 8 | 1 | STM1056 | Ring | Washer |
| 9 | 1 | STM6128 | Pijpenbundel | Tube stack |
| 10 | 1 | STM6113 | O-ring 61x2,5 | O-ring 61x2.5 |
| 11 | 1 | STM7446 | Deksel (metaal) | Cover (metal) |
| 12 | 1 | STM6131 | Deksel (metaal) | Cover (metal) |
| 13 | 1 | STM7648 | Inbus bout M8x20, lage kop | Allen screw M8x20, low head |
| 14 | 1 | STM1006 | Inbus bout M8x30 | Allen screw M8x30 |
| 15 | 2 | 08-01108 | Ring, fiber | Washer, fibre |
| 16 | 1 | STM1059 | Plug M14x1,5 | Plug M14x1.5 |
| 17 | 1 | STM1062 | Ring | Washer |



M2.04 M2.06 M2.C5 M2.D5 **Warmtewisselaar units**

Heat exchanger units

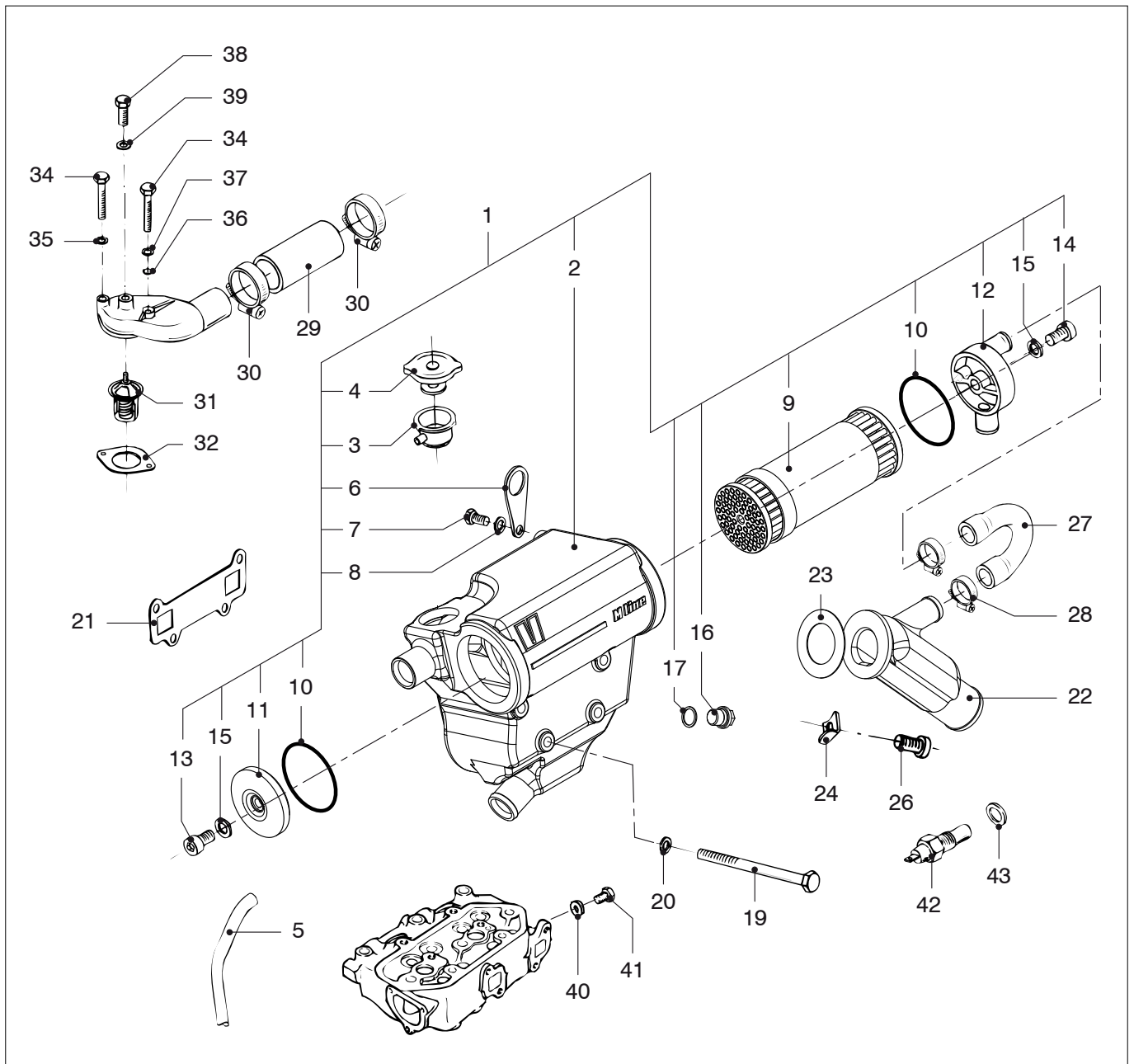
| pos. | qty | part | benaming | description |
|------|-----|---------|---------------------------|----------------------------|
| 18 | 1 | STM6157 | Logoplaatje | Logo plate |
| 19 | 4 | STM6121 | Bout M8x110 | Bolt M8x110 |
| 20 | 4 | STM1019 | Ring | Washer |
| 21 | 1 | STM6252 | Pakking | Gasket |
| 22 | 1 | STM6117 | Uitlaat inject. bocht ø40 | Exhaust injection bend ø40 |
| 23 | 1 | STM6152 | Pakking | Gasket |
| 24 | 3 | STM6126 | Kikkerplaatje | Clamp plate |
| 26 | 3 | STM6299 | Inbusbout M8x20 | Allen screw M8x20 |
| 27 | 1 | STM6124 | Rubber bocht | Rubber bend |
| 28 | 2 | STM2012 | Slangklem 19-28 | Hose clamp 19-28 |
| 29 | 1 | STM6138 | Slang | Hose |
| 30 | 2 | STM6116 | Slangklem 26-38 | Hose clamp 26-38 |
| 31 | 1 | STM6250 | Thermostaat 71°C | Thermostat 71°C |
| 32 | 1 | STM6251 | Pakking | Gasket |
| 33 | 1 | STM6112 | Thermostaat huis | Thermostat housing |
| 34 | 2 | STM6155 | Bout M6x35 | Bolt M6x35 |
| 35 | 1 | STM1025 | Ring | Washer |



M2.04 M2.06 M2.C5 M2.D5 **Warmtewisselaar units**

Heat exchanger units

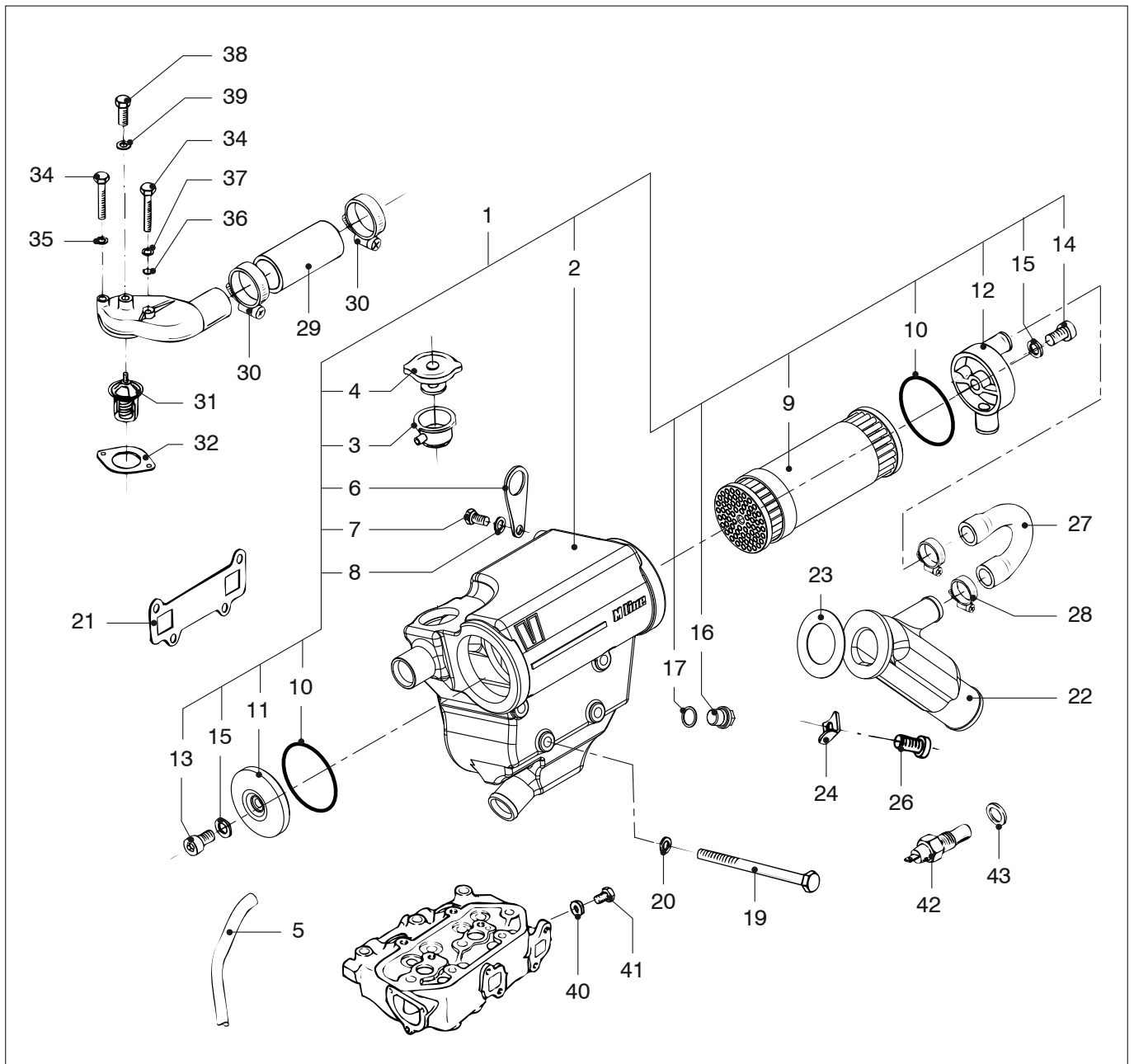
| pos. | qty | part | benaming | description |
|------|-----|---------|--|------------------------------|
| 36 | 1 | STM6118 | O-ring 6x2 | O-ring 6x2 |
| 37 | 1 | STM6156 | Ring | Washer |
| 38 | 1 | STM6147 | Bout M10x1,5x12 | Bolt M10x1.5x12 |
| 39 | 1 | STM2018 | Ring | Washer |
| 40 | 1 | STM1007 | Ring | Washer |
| 41 | 1 | STM3796 | Bout M8x1,25x10 | Bolt M8x1.25x10 |
| 42 | 1 | STM2006 | Temperatuur schakelaar 75°C M18x1,5 1p | Thermoswitch 75°C M18x1.5 1p |
| 43 | 1 | STM2019 | Ring | Washer |
| 44 | 1 | STM6199 | Banjo bout M10x1,5 | Banjo bolt M10x1.5 |
| 45 | 2 | STM2018 | Afdichtring M10 | Seal washer M10 |
| 46 | 1 | STM6196 | Banjo oog ø8 | Banjo eye ø8 |
| 47 | 1 | STM3518 | Banjo bout M14x1,5 | Banjo bolt M14x1.5 |
| 48 | 2 | STM1062 | Afdichtring M14 | Seal washer M14 |
| 49 | 1 | STM3695 | Banjo oog ø10 | Banjo eye ø10 |
| 50 | 1 | STM6235 | Set boiler aansluiting | Kit boiler connection |



M2.02 M2.04 M2.06 M2.C5 Warmtewisselaar units
M2.13 M2.18 M2.D5

Heat exchanger units

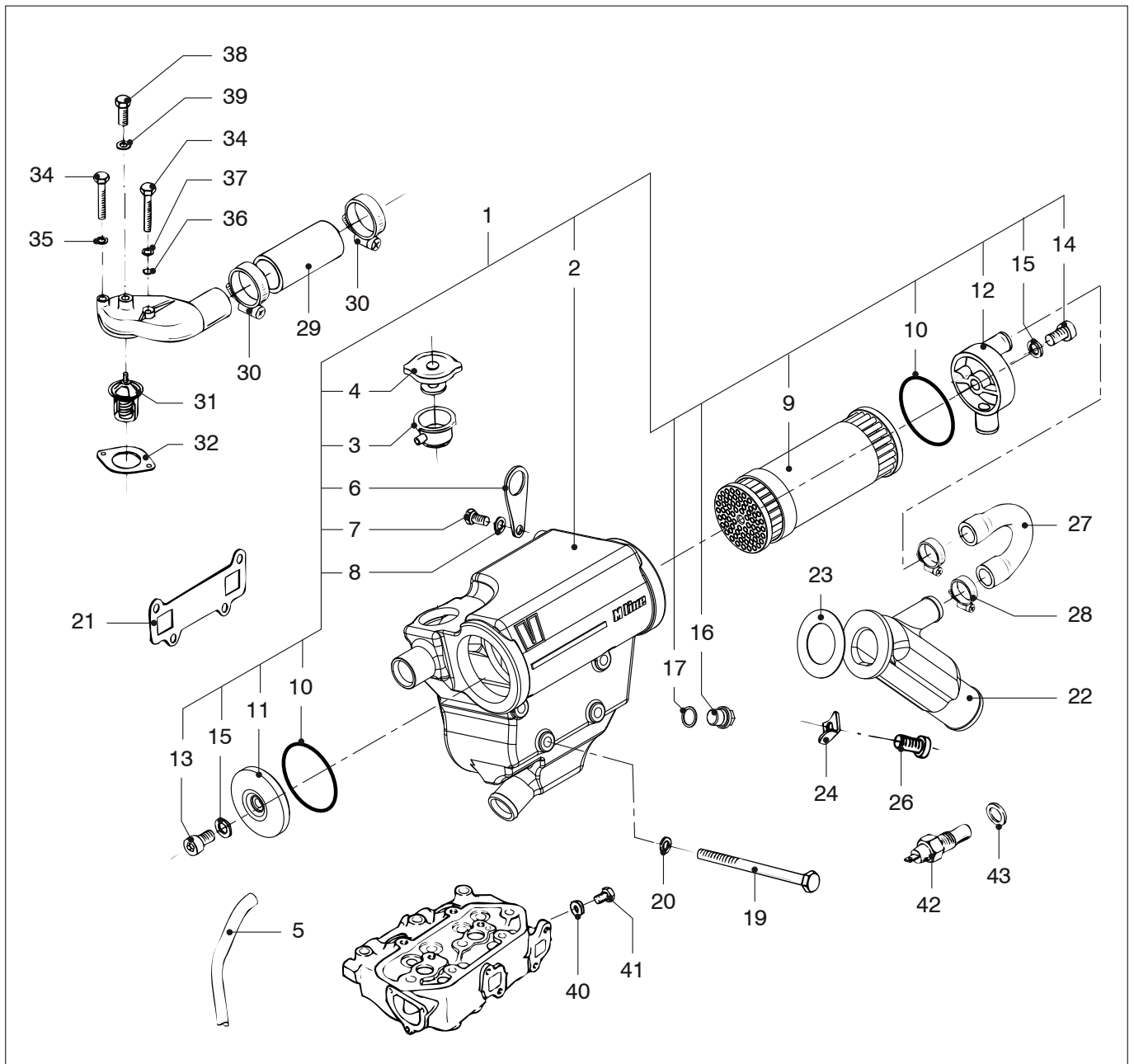
| pos. | qty | part | benaming | description |
|------|-----|----------|----------------------------|------------------------------|
| 1 | 1 | STM6142 | Warmtewisselaar compl. | Heatexchanger housing compl. |
| 2 | 1 | STM6140 | Warmtewisselaar huis | Heatexchanger housing |
| 3 | 1 | STM1515 | Vulnek | Filler neck |
| 4 | 1 | STM1017 | Vuldop 0,5 Bar | Filler cap 0.5 Bar |
| 5 | 1 | STM1027 | Slang | Hose |
| 6 | 1 | STM6254 | Hijsoog | Lifting eye |
| 7 | 1 | STM3355 | Bout M8x20 | Bolt M8x20 |
| 8 | 1 | STM1056 | Ring | Washer |
| 9 | 1 | STM6128 | Pijpenbundel | Tube stack |
| 10 | 1 | STM6113 | O-ring 61x2,5 | O-ring 61x2.5 |
| 11 | 1 | STM7446 | Deksel (metaal) | Cover (metal) |
| 12 | 1 | STM6131 | Deksel (metaal) | Cover (metal) |
| 13 | 1 | STM7648 | Inbus bout M8x20, lage kop | Allen screw M8x20, low head |
| 14 | 1 | STM1006 | Inbus bout M8x30 | Allen screw M8x30 |
| 15 | 2 | 08-01108 | Ring, fiber | Washer, fibre |
| 16 | 1 | STM1059 | Plug M14x1,5 | Plug M14x1.5 |



M2.02 M2.04 M2.06 M2.C5 Warmtewisselaar units
M2.13 M2.18 M2.D5

Heat exchanger units

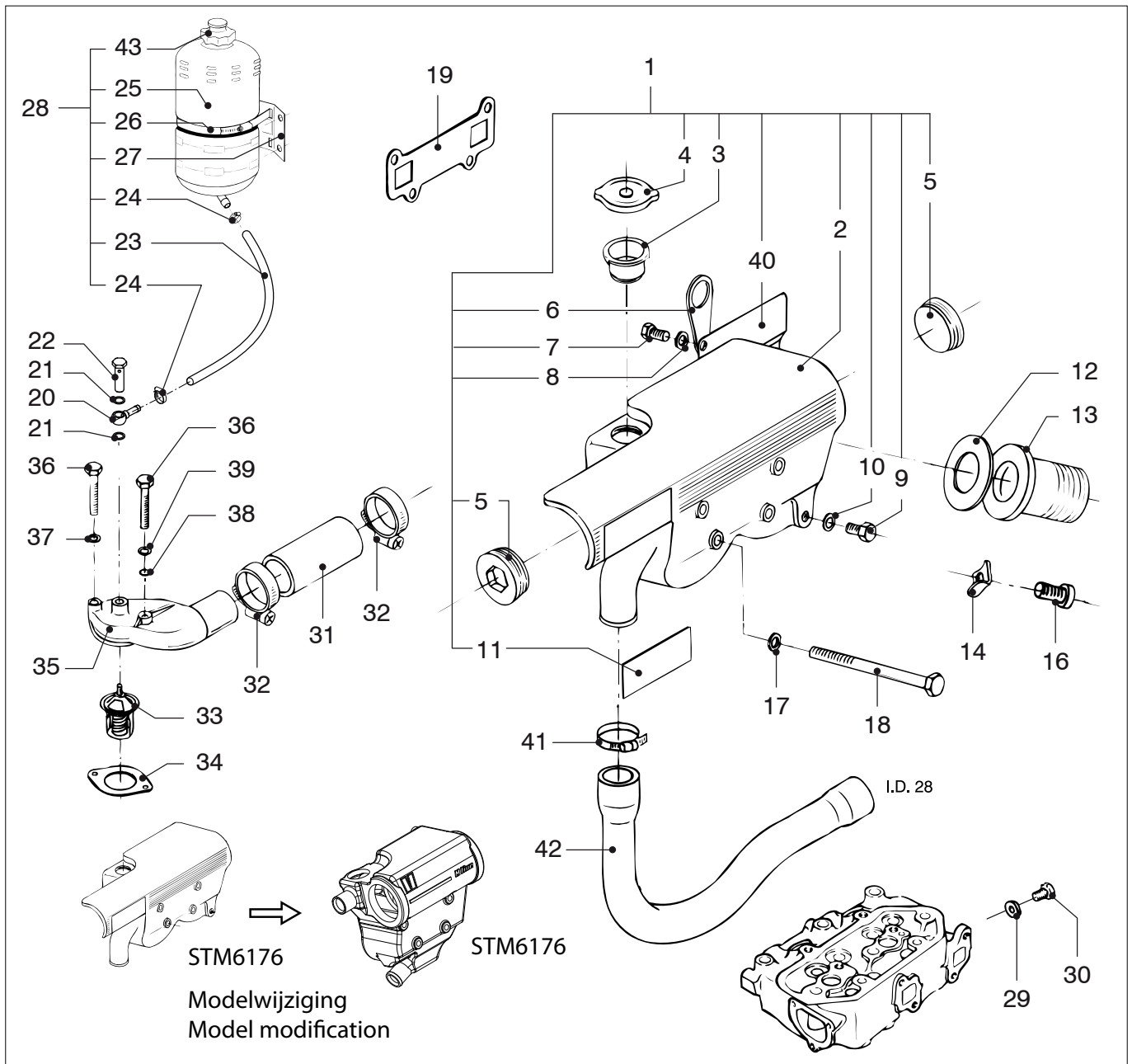
| pos. | qty | part | benaming | description |
|------|-----|---------|---------------------------|----------------------------|
| 17 | 1 | STM1062 | Ring | Washer |
| 18 | 1 | STM6157 | Logoplaatje | Logo plate |
| 19 | 4 | STM6121 | Bout M8x110 | Bolt M8x110 |
| 20 | 4 | STM1019 | Ring | Washer |
| 21 | 1 | STM6252 | Pakking | Gasket |
| 22 | 1 | STM6117 | Uitlaat inject. bocht ø40 | Exhaust injection bend ø40 |
| 23 | 1 | STM6152 | Pakking | Gasket |
| 24 | 3 | STM6126 | Kikkerplaatje | Clamp plate |
| 26 | 3 | STM6299 | Inbusbout M8x20 | Allen screw M8x20 |
| 27 | 1 | STM6124 | Rubber bocht | Rubber bend |
| 28 | 2 | STM2012 | Slangklem 19-28 | Hose clamp 19-28 |
| 29 | 1 | STM6138 | Slang | Hose |
| 30 | 2 | STM6116 | Slangklem 26-38 | Hose clamp 26-38 |
| 31 | 1 | STM6250 | Thermostaat 71°C | Thermostat 71°C |
| 32 | 1 | STM6251 | Pakking | Gasket |
| 33 | 1 | STM6112 | Thermostaat huis | Thermostat housing |



M2.02 M2.04 M2.06 M2.C5 Warmtewisselaar units
M2.13 M2.18 M2.D5

Heat exchanger units

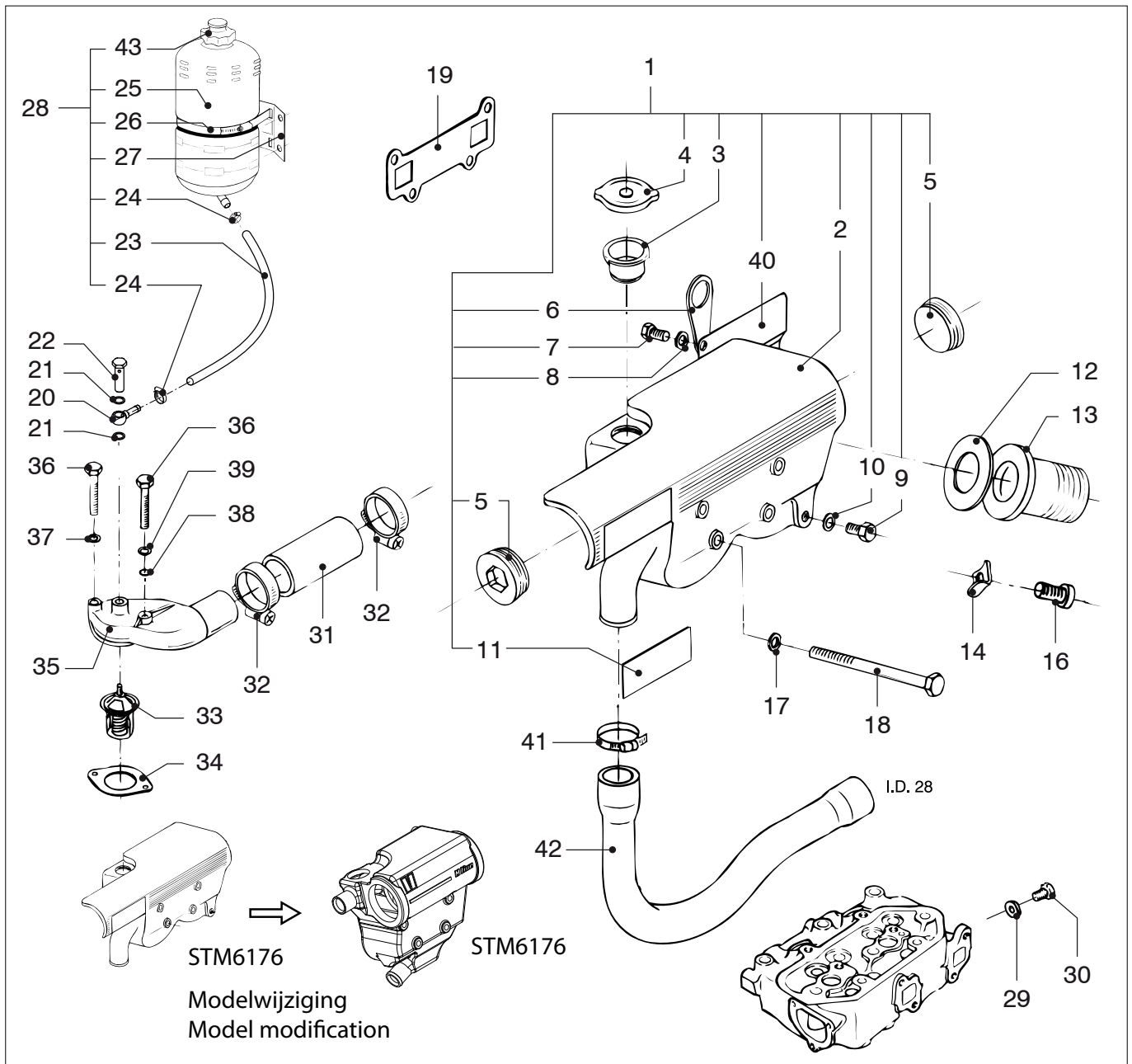
| pos. | qty | part | benaming | description |
|------|-----|---------|--|------------------------------|
| 34 | 2 | STM6155 | Bout M6x35 | Bolt M6x35 |
| 35 | 1 | STM1025 | Ring | Washer |
| 36 | 1 | STM6118 | O-ring 6x2 | O-ring 6x2 |
| 37 | 1 | STM6156 | Ring | Washer |
| 38 | 1 | STM6147 | Bout M10x1,5x12 | Bolt M10x1.5x12 |
| 39 | 1 | STM2018 | Ring | Washer |
| 40 | 1 | STM1007 | Ring | Washer |
| 41 | 1 | STM3796 | Bout M8x1,25x10 | Bolt M8x1.25x10 |
| 42 | 1 | STM2006 | Temperatuur schakelaar 75°C M18x1,5 1p | Thermoswitch 75°C M18x1.5 1p |
| 43 | 1 | STM2019 | Ring | Washer |



M2.02 M2.04 M2.06 M2.C5 M2.D5 Kielkoelspruitstuk

Keelcooler manifold

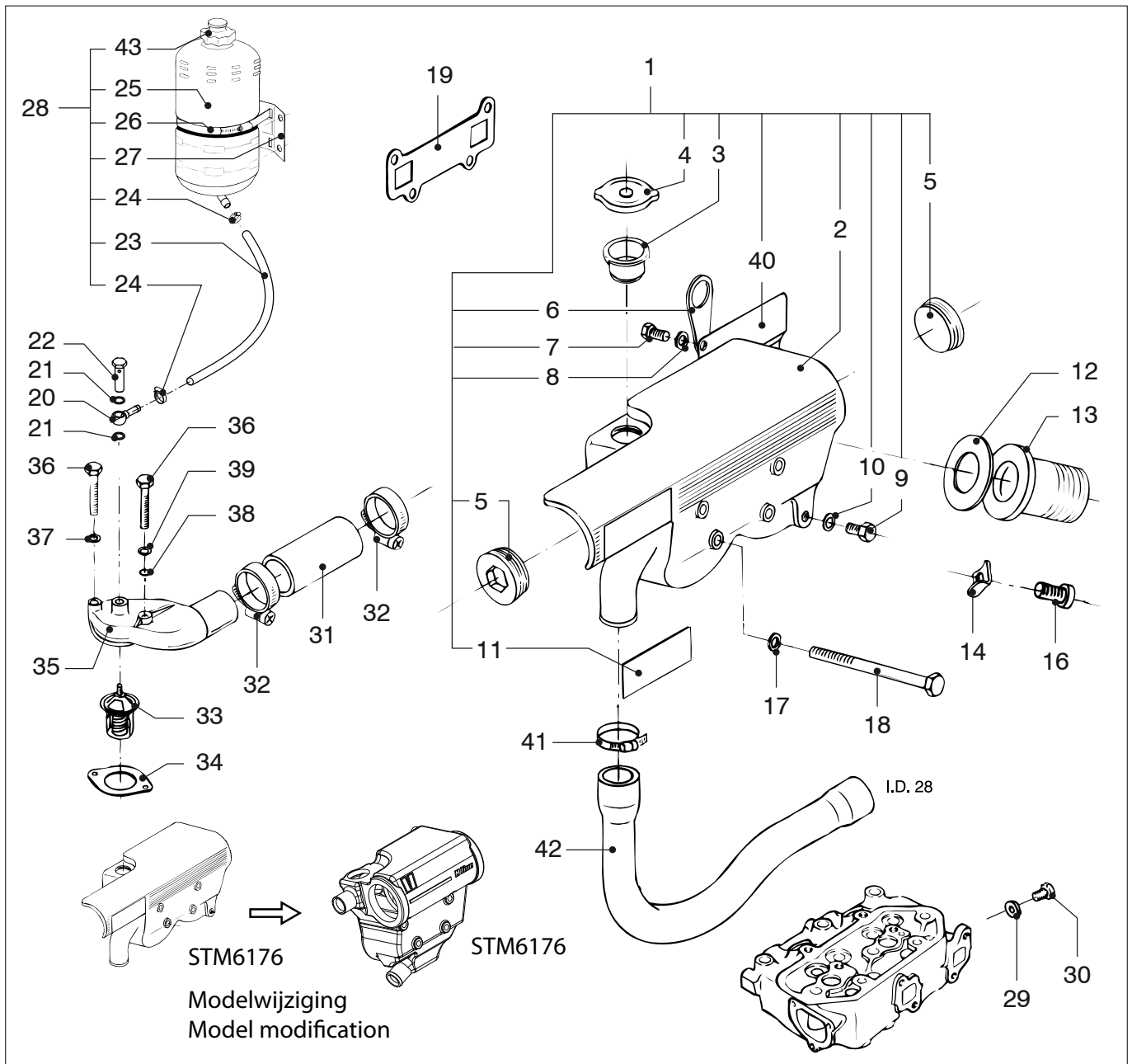
| pos. | qty | part | benaming | description |
|------|-----|---------|---------------------------|----------------------------|
| 1 | 1 | STM6177 | Kielkoelspruitstuk compl. | Keelcooler manifold compl. |
| 2 | 1 | STM6176 | Kielkoelspruitstuk | Keelcooler manifold |
| 3 | 1 | STM3750 | Vulnek | Filler neck |
| 4 | 1 | STM9507 | Vuldop 'do not open' | Filler cap 'do not open' |
| 5 | 2 | STM4043 | Plug G 1,5 | Plug G 1.5 |
| 6 | 1 | STM6254 | Hijsoog | Lifting eye |
| 7 | 1 | STM3355 | Bout M8x20 | Bolt M8x20 |
| 8 | 1 | STM1056 | Ring | Washer |
| 9 | 1 | STM1059 | Plug M14x1.5 | Plug M14x1.5 |
| 10 | 2 | STM1062 | Ring | Washer |
| 11 | 1 | STM6157 | Logo plaatje | Logo plate |
| 12 | 1 | STM6152 | Pakking | Gasket |
| 13 | 1 | STM6179 | Uitlaatflens G 1 1/4 | Exhaust flange G 1 1/4 |
| 14 | 3 | STM6126 | Kikkerplaatje | Clamp plate |
| 16 | 3 | STM6299 | Inbusbout M8x20 | Allen screw M8x20 |
| 17 | 4 | STM1019 | Ring | Washer |



M2.02 M2.04 M2.06 M2.C5 M2.D5 Kielkoelspruitstuk

Keelcooler manifold

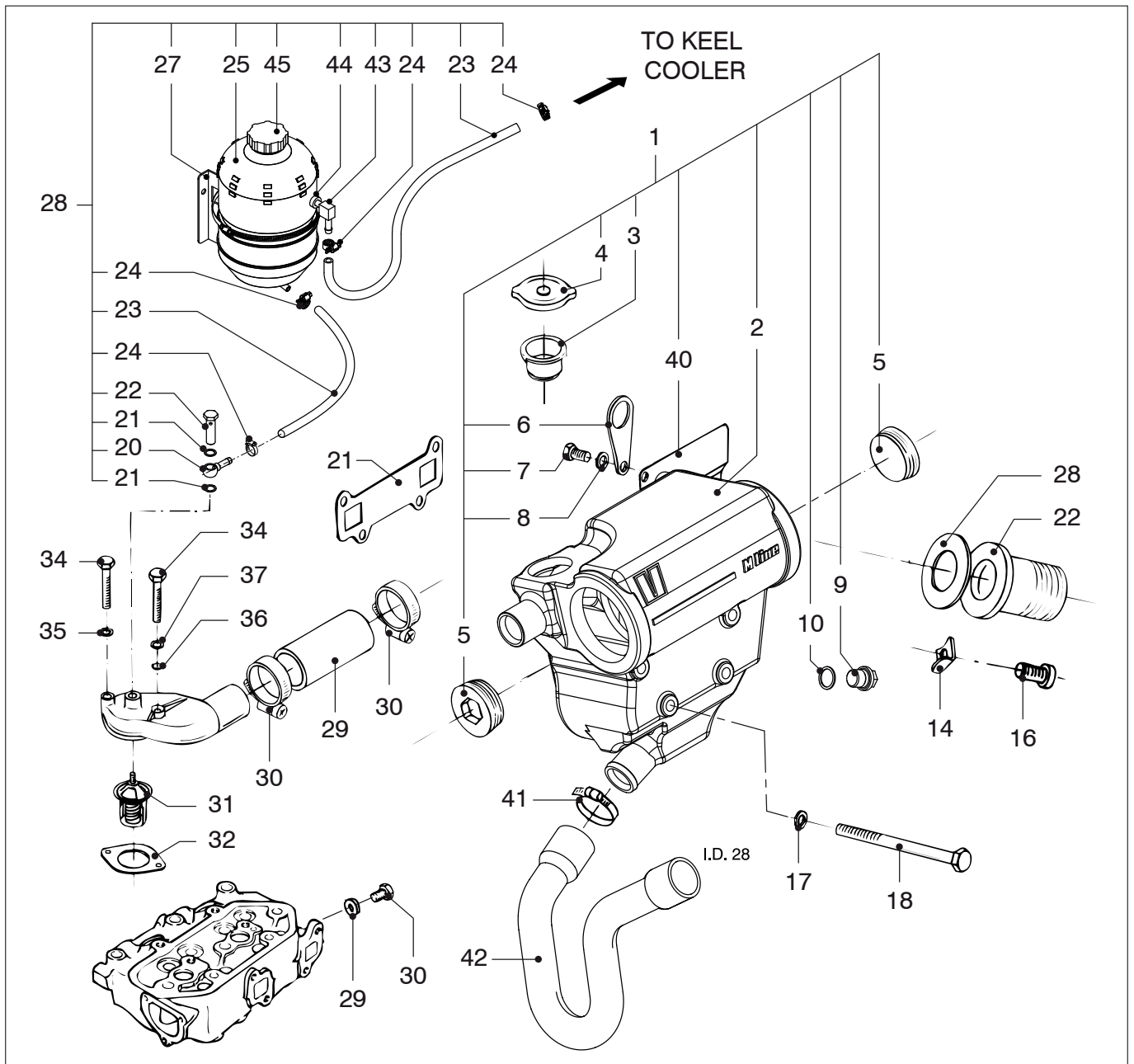
| pos. | qty | part | benaming | description |
|------|-----|---------|---------------------|-------------------|
| 18 | 4 | STM6121 | Bout M8x110 | Bolt M8x110 |
| 19 | 1 | STM6252 | Pakking | Gasket |
| 20 | 1 | STM6198 | Banjo oog | Banjo eye |
| 21 | 2 | STM2018 | Ring | Washer |
| 22 | 1 | STM6199 | Banjo bout | Banjo bolt |
| 23 | 1 | STM9504 | Slang L=1,5 mtr. | Hose L=1,5 mtr. |
| 24 | 2 | STM9505 | Slangklem | Hose clamp |
| 25 | 1 | STM9501 | Expansie tank | Headertank |
| 26 | 1 | STM9503 | Slangklem | Hose clamp |
| 27 | 1 | STM9502 | Bevestigingsbeugel | Support |
| 28 | 1 | STM9500 | Expansietank compl. | Headertank compl. |
| 29 | 1 | STM1007 | Ring | Washer |
| 30 | 1 | STM3796 | Bout M8x1,25x10 | Bolt M8x1.25x10 |
| 31 | 1 | STM6138 | Slang | Hose |
| 32 | 2 | STM6116 | Slangklem 26-38 | Hose clamp 26-38 |
| 33 | 1 | STM6250 | Thermostaat 71°C | Thermostat 71°C |



M2.02 M2.04 M2.06 M2.C5 M2.D5 Kielkoelspruitstuk

Keelcooler manifold

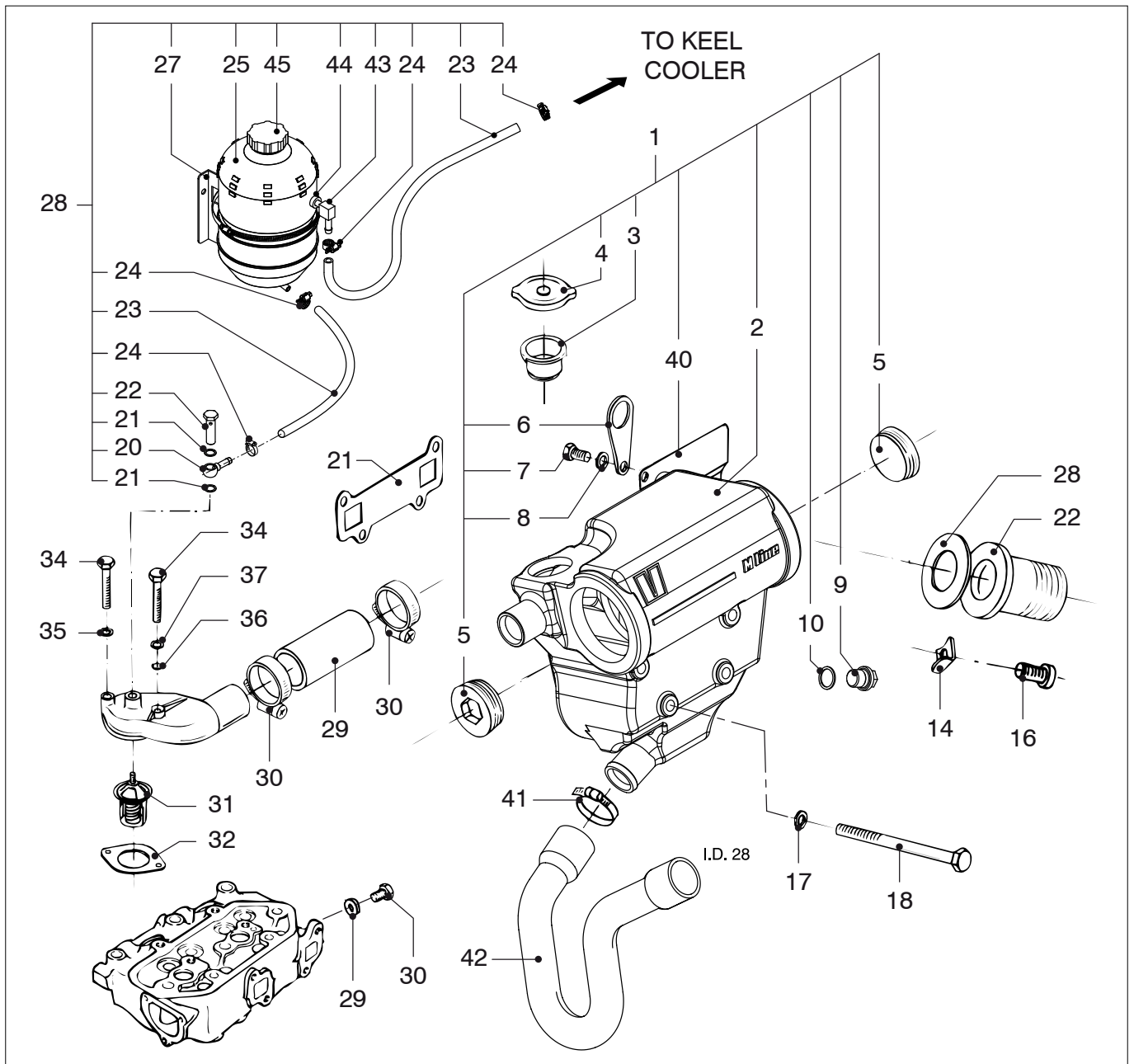
| pos. | qty | part | benaming | description |
|------|-----|----------|------------------|--------------------|
| 34 | 1 | STM6251 | Pakking | Gasket |
| 35 | 1 | STM6112 | Thermostaat huis | Thermostat housing |
| 36 | 2 | STM6155 | Bolt M6x35 | Bolt M6x35 |
| 37 | 1 | STM1025 | Ring | Washer |
| 38 | 1 | STM6118 | O-ring 6x2 | O-ring |
| 39 | 1 | STM6156 | Ring | Washer |
| 40 | 1 | STM6236 | Afschermplaat | Protection plate |
| 41 | 1 | STM6116 | Slangklem 26-38 | Hose clamp 26-38 |
| 42 | 1 | STM6178 | Slang | Hose |
| 43 | 1 | 08-01141 | Drukdop | Pressure cap |



M2.02 M2.04 M2.06 M2.C5 **Kielkoelspruitstuk**
M2.13 M2.18 M2.D5

Keelcooler manifold

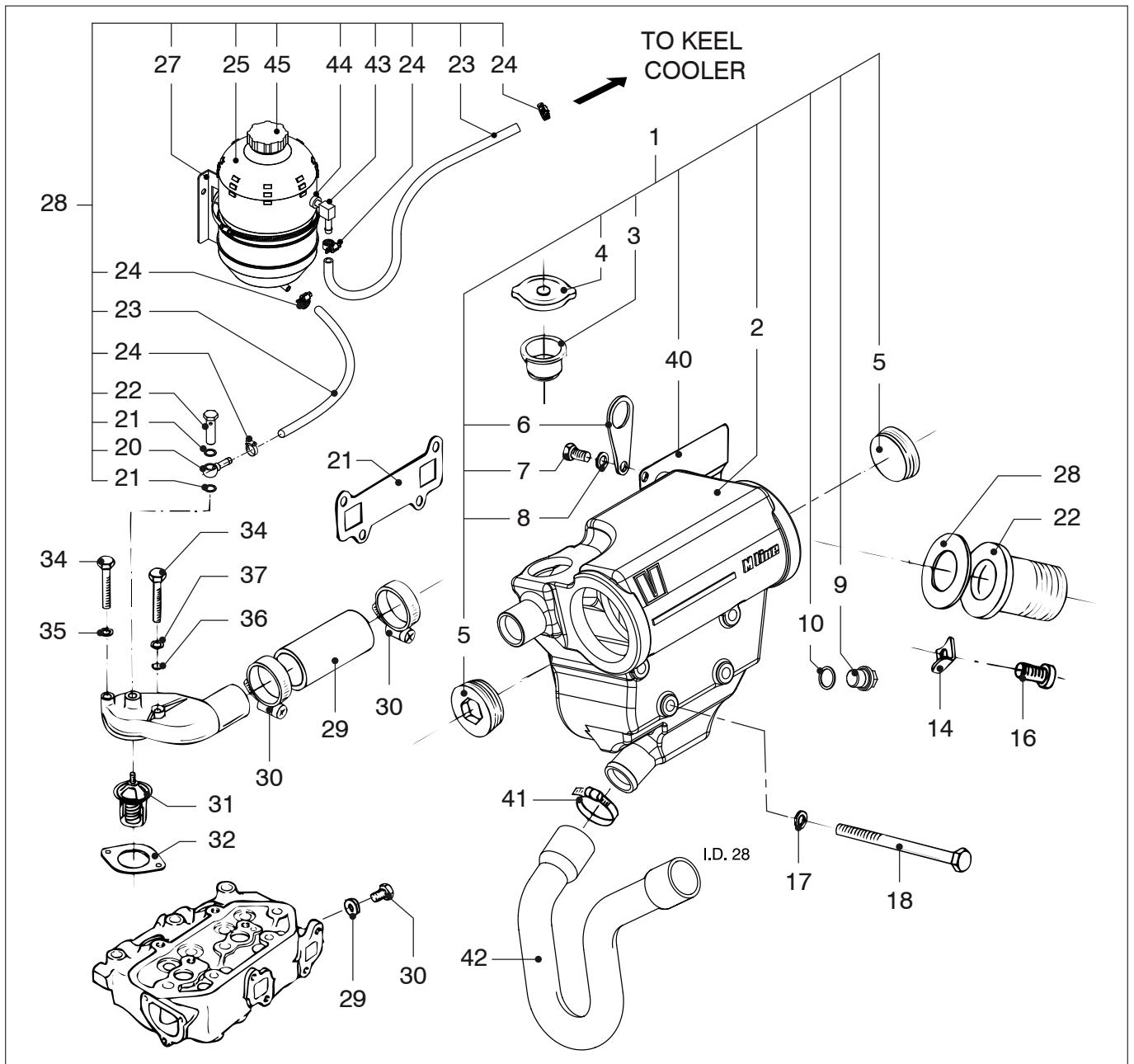
| pos. | qty | part | benaming | description |
|------|-----|---------|---------------------------|----------------------------|
| 1 | 1 | STM6177 | Kielkoelspruitstuk compl. | Keelcooler manifold compl. |
| 2 | 1 | STM6176 | Kielkoelspruitstuk | Keelcooler manifold |
| 3 | 1 | STM3750 | Vulnek | Filler neck |
| 4 | 1 | STM9507 | Vuldop 'do not open' | Filler cap 'do not open' |
| 5 | 2 | STM4043 | Plug G 1,5 | Plug G 1.5 |
| 6 | 1 | STM6254 | Hijsoog | Lifting eye |
| 7 | 1 | STM3355 | Bout M8x20 | Bolt M8x20 |
| 8 | 1 | STM1056 | Ring | Washer |
| 9 | 1 | STM1059 | Plug M14x1.5 | Plug M14x1.5 |
| 10 | 2 | STM1062 | Ring | Washer |
| 11 | 1 | STM6157 | Logo plaatje | Logo plate |
| 12 | 1 | STM6152 | Pakking | Gasket |
| 13 | 1 | STM6179 | Uitlaatflens G 1 1/4 | Exhaust flange G 1 1/4 |
| 14 | 3 | STM6126 | Kikkerplaatje | Clamp plate |
| 16 | 3 | STM6299 | Inbusbout M8x20 | Allen screw M8x20 |
| 17 | 4 | STM1019 | Ring | Washer |



M2.02 M2.04 M2.06 M2.C5 Kielkoelspruitstuk
M2.13 M2.18 M2.D5

Keelcooler manifold

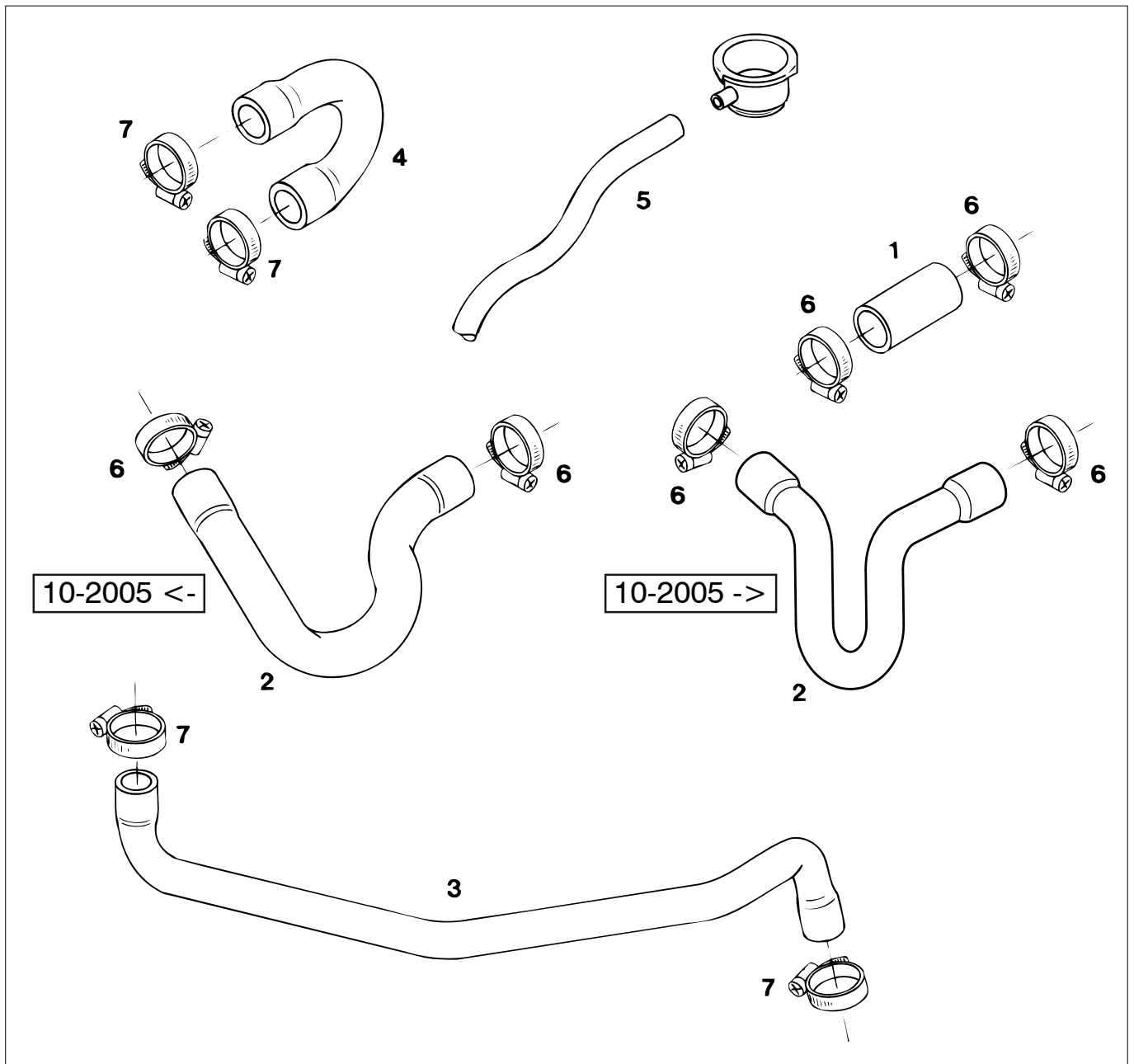
| pos. | qty | part | benaming | description |
|------|-----|---------|---------------------|--------------------|
| 18 | 4 | STM6121 | Bout M8x110 | Bolt M8x110 |
| 19 | 1 | STM6252 | Pakking | Gasket |
| 20 | 1 | STM6198 | Banjo oog | Banjo eye |
| 21 | 2 | STM2018 | Ring | Washer |
| 22 | 1 | STM6199 | Banjo bout | Banjo bolt |
| 23 | 2 | STM9504 | Slang L=1,5 mtr. | Hose L=1,5 mtr. |
| 24 | 4 | STM9505 | Slangklem mini 14 | Hose clamp mini 14 |
| 25 | 1 | STM9513 | Expansie tank | Headertank |
| 26 | 1 | STM9503 | Slangklem | Hose clamp |
| 27 | 1 | STM9502 | Bevestigingsbeugel | Support |
| 28 | 1 | STM9514 | Expansietank compl. | Headertank compl. |
| 29 | 1 | STM1007 | Ring | Washer |
| 30 | 1 | STM3796 | Bout M8x1,25x10 | Bolt M8x1.25x10 |
| 31 | 1 | STM6138 | Slang | Hose |
| 32 | 2 | STM6116 | Slangklem 26-38 | Hose clamp 26-38 |
| 33 | 1 | STM6250 | Thermostaat 71°C | Thermostat 71°C |



M2.02 M2.04 M2.06 M2.C5 **Kielkoelspruitstuk**
M2.13 M2.18 M2.D5

Keelcooler manifold

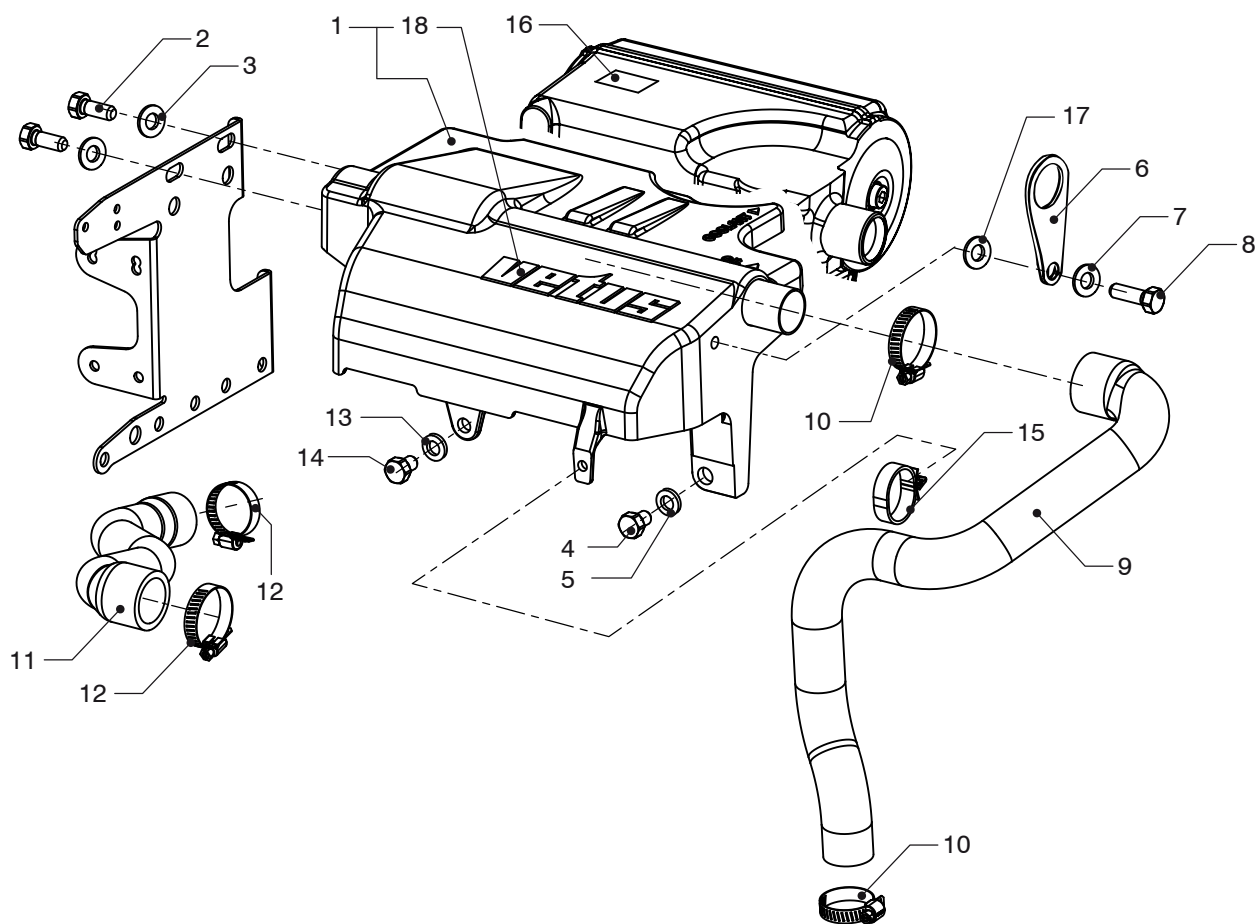
| pos. | qty | part | benaming | description |
|------|-----|----------|------------------|--------------------|
| 34 | 1 | STM6251 | Pakking | Gasket |
| 35 | 1 | STM6112 | Thermostaat huis | Thermostat housing |
| 36 | 2 | STM6155 | Bolt M6x35 | Bolt M6x35 |
| 37 | 1 | STM1025 | Ring | Washer |
| 38 | 1 | STM6118 | O-ring 6x2 | O-ring |
| 39 | 1 | STM6156 | Ring | Washer |
| 40 | 1 | STM6236 | Afschermplaat | Protection plate |
| 41 | 1 | STM6116 | Slangklem 26-38 | Hoseclamp 26-38 |
| 42 | 1 | STM6178 | Slang | Hose |
| 43 | 1 | STM9512 | Slangpilaar | Hose pillar |
| 44 | 1 | STM9511 | Tule | Grommet |
| 45 | 1 | 08-01141 | Drukdop | Pressure cap |



M2.02 M2.04 M2.06 M2.C5 M2.D5 **Slangen**

Hoses

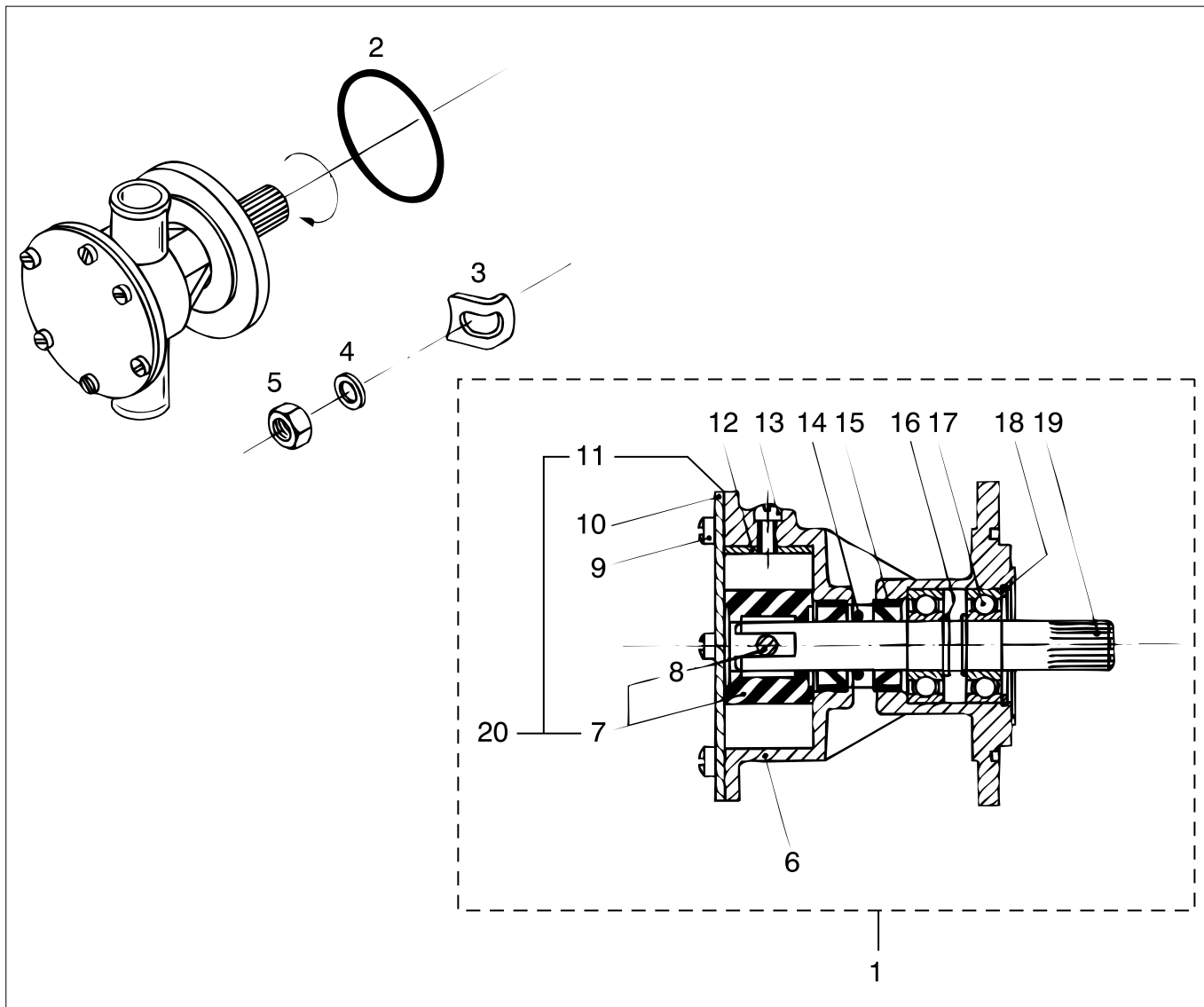
| pos. | qty | part | benaming | description |
|------|-----|---------|------------------------|---------------------|
| 1 | 1 | STM6138 | Slang | Hose |
| 2 | 1 | STM6178 | Slangbocht Binnenwater | Hose bend coolant |
| 3 | 1 | STM6123 | Slangbocht buitenwater | Hose bend raw water |
| 4 | 1 | STM6124 | Slangbocht uitlaat | Hose bend exhaust |
| 5 | 1 | STM1027 | Slang vulnek | Hose filler neck |
| 6 | 4 | STM6116 | Slangklem 26-38 | Hose clamp 26-38 |
| 7 | 4 | STM2012 | Slangklem 19-28 | Hose clamp 19-28 |



Bovenkap

Upper cover

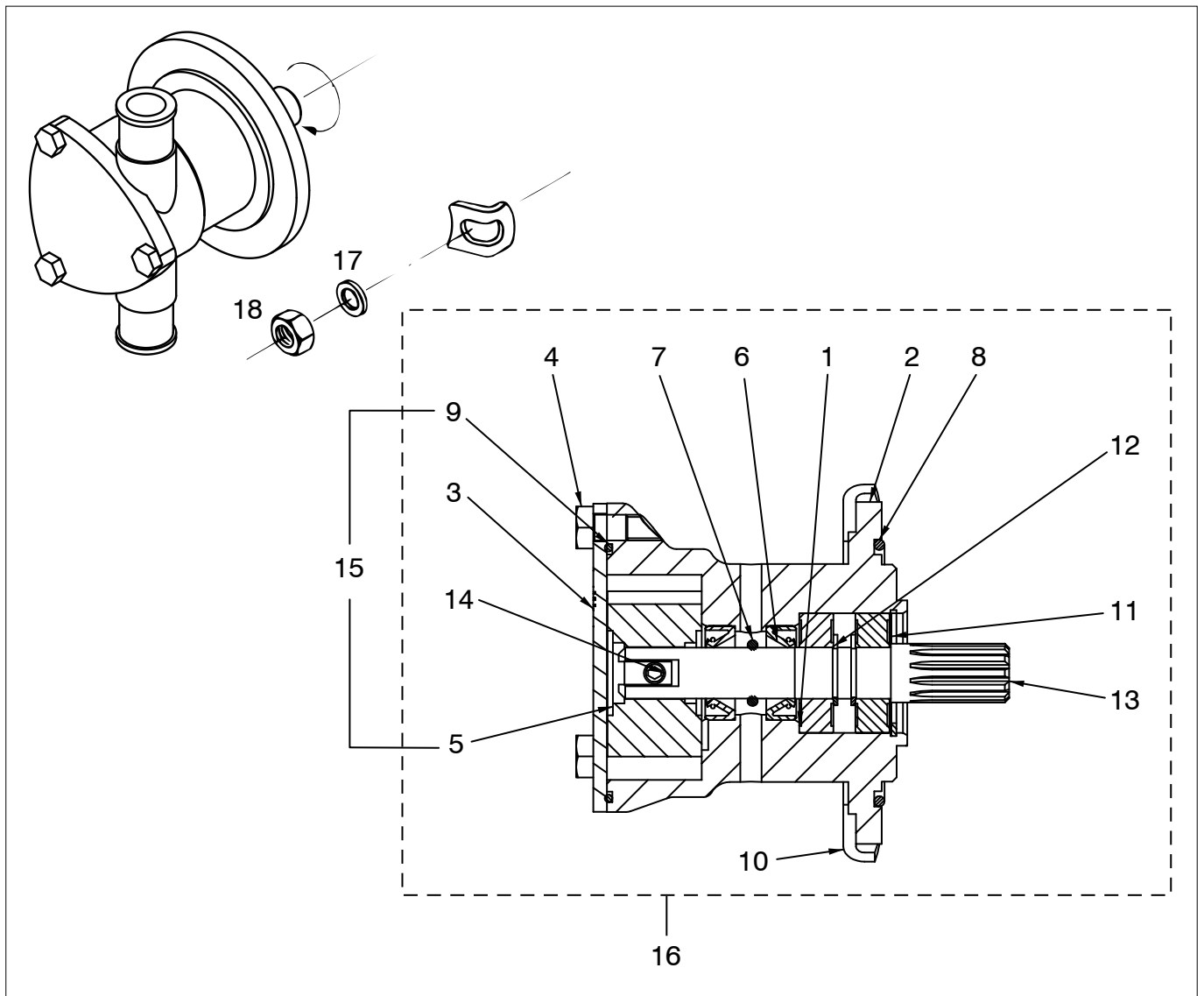
| pos. | qty | M2.13 part | M2.18 benaming | description |
|------|-----|---------------|-----------------------|-----------------------|
| 1 | 1 | 08-01285 | Bovenkap M2 | Upper cover M2 |
| 2 | 2 | STM4055 | Bout M8x16 | Bolt M8x16 |
| 3 | 2 | STM1019 | Gegolfde veerring M8 | Wave spring washer M8 |
| 4 | 1 | STM3355 | Bout M8x20 | Bolt M8x20 |
| 5 | 1 | STM1019 | Gegolfde veerring M8 | Wave spring washer M8 |
| 6 | 1 | STM6254 | Hijsoog | Lifting eye |
| 7 | 1 | STM1019 | Gogolfde veerring M8 | Wave spring washer M8 |
| 8 | 1 | STM7059 | Bout M8x30 | Bolt M8x30 |
| 9 | 1 | 08-01280 | Slang buitenwaterpomp | Hose sea water pump |
| 10 | 2 | STM2012 | Slangklem 19-28 | Hose clamp 19-28 |
| 11 | 1 | 08-01281 | Slang aansluitdeksel | Hose connection cover |
| 12 | 2 | STM2012 | Slangklem 19-28 | Hose clamp 19-28 |
| 13 | 1 | STM1019 | Gegolfde veerring M8 | Wave spring washer M8 |
| 14 | 1 | STM4055 | Bout M8x16 | Bolt M8x16 |
| 15 | 1 | 08-01320 | Klem | Clip |
| 16 | 1 | 08-01355 | Motortypeplaat | Engine type plate |
| 17 | 1 | 08-01371 | Ring | Washer |
| 18 | 1 | 08-01503 | Sticker | Sticker |



M2.04 M2.06 M2.C5 Zeewaterpomp
M2.D5

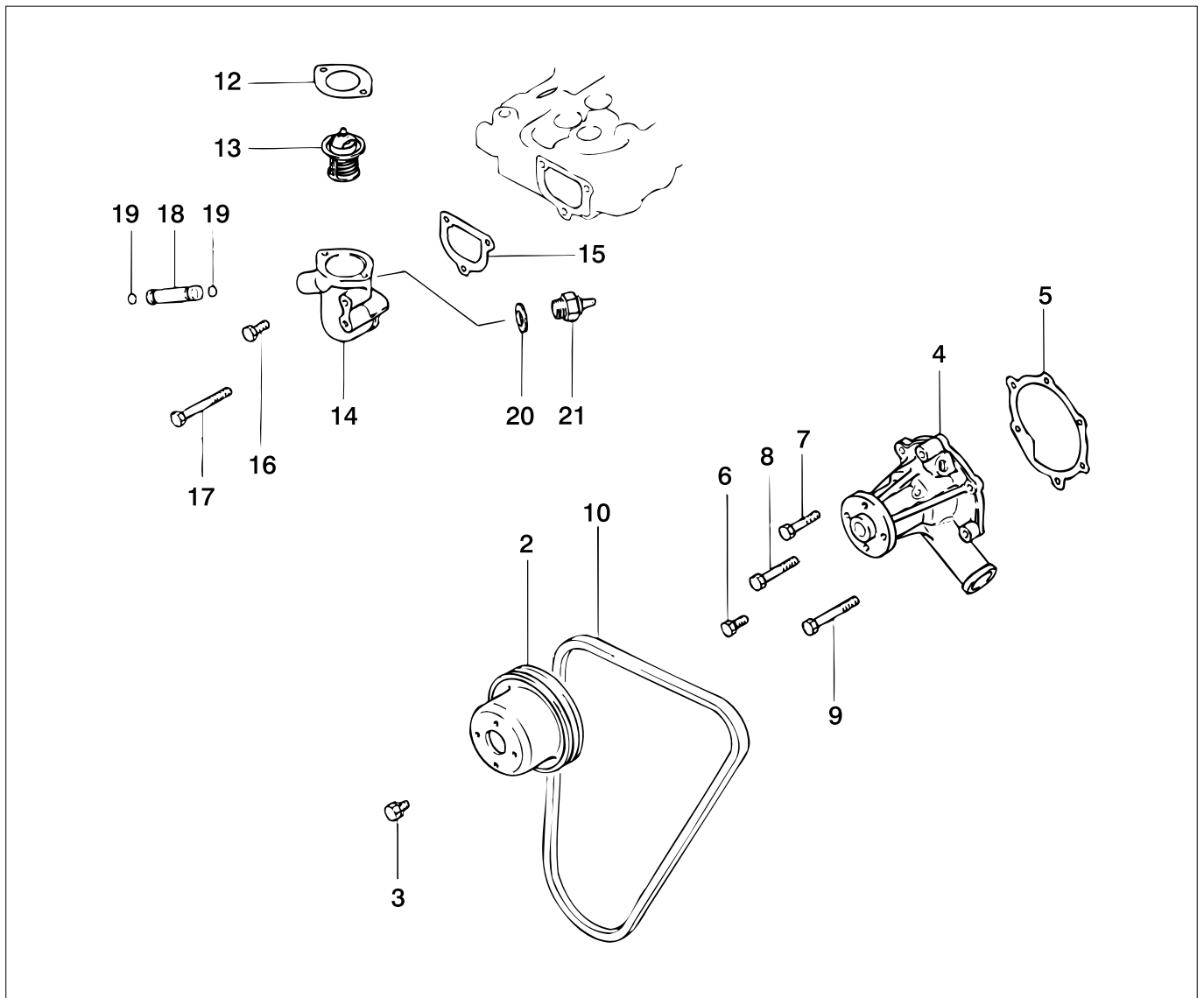
Seawater pump

| pos. | qty | part | benaming | description |
|------|-----|---------|------------------|-----------------|
| 1 | 1 | STM6109 | Pomp 1/2 Kam. | Pump 1/2 cam. |
| 2 | 1 | STM6127 | O-ring | O-ring |
| 3 | 4 | STM6126 | Kikkerplaatje | Clamp plate |
| 4 | 4 | STM1056 | Ring | Washer |
| 5 | 4 | STM2005 | Moer M8 | Nut M8 |
| 6 | 1 | STM6160 | Huis | Housing |
| 7 | 1 | STM8061 | Impeller+schroef | Impeller+screw |
| 8 | 1 | STM6162 | Schroef | Screw |
| 9 | 6 | STM6163 | Schroef | Screw |
| 10 | 1 | STM6164 | Deksel | Cover |
| 11 | 1 | STM8002 | Pakking | Gasket |
| 12 | 1 | STM6166 | Kam 1/2 (2 mm) | Cam 1/2 (2 mm) |
| 13 | 1 | STM6167 | Schroef | Screw |
| 14 | 1 | STM6168 | O-ring | O-ring |
| 15 | 2 | STM6169 | Keerring | Lip seal |
| 16 | 2 | STM6170 | Borgring | Retaining ring |
| 17 | 2 | STM6171 | Lager | Bearing |
| 18 | 1 | STM6172 | Borgring | Retaining ring |
| 19 | 1 | STM6173 | As | Shaft |
| 20 | 1 | STM6174 | Rep. set 7+11 | Repair kit 7+11 |



M2.02 M2.06 M2.C5 Zeewaterpomp Seawater pump
M2.13 M2.18 M2.D5

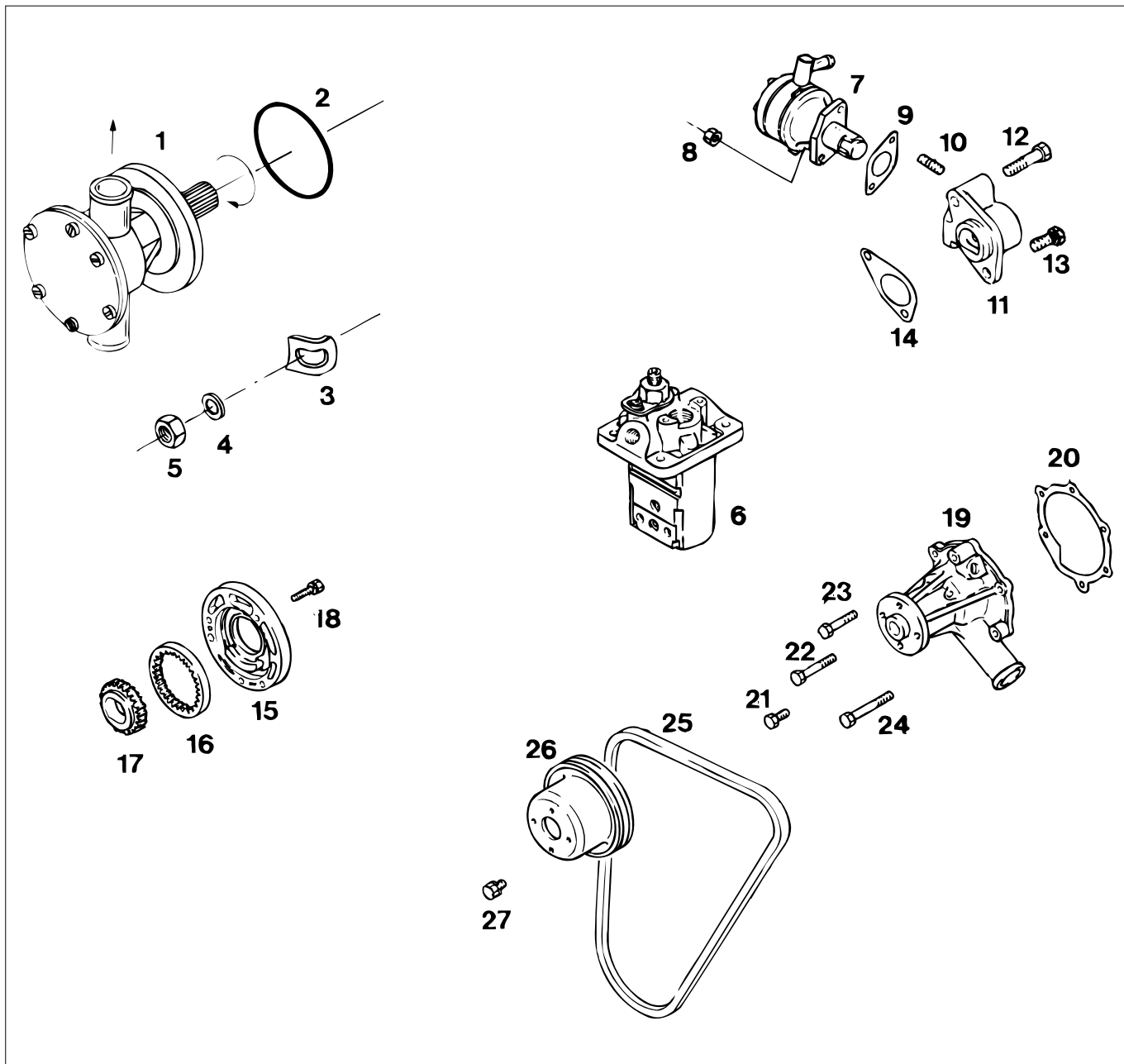
| pos. | qty | part | benaming | description |
|------|-----|---------|---------------|------------------|
| 1 | 2 | STM6171 | Lager | Bearing |
| 2 | 1 | STM6249 | Huis 1/2 kam | Housing 1/2 cam |
| 3 | 1 | STM7688 | Deksel | Cover |
| 4 | 3 | STM7689 | Schroef | Screw |
| 5 | 1 | STM6161 | Impeller | Impeller |
| 6 | 2 | STM6169 | Keerring | Lip seal |
| 7 | 1 | STM6168 | O-ring | O-ring |
| 8 | 1 | STM6127 | O-ring | O-ring |
| 9 | 1 | STM7696 | O-ring | O-ring |
| 10 | 4 | STM6126 | Kikkerplaatje | Clamp plate |
| 11 | 1 | STM6172 | Borgring | Retaining ring |
| 12 | 2 | STM6170 | Borgring | Retaining ring |
| 13 | 1 | STM6173 | As | Shaft |
| 14 | 1 | STM6162 | Schroef | Screw |
| 15 | 1 | STM7691 | Rep.set 5+9 | Repair kit 5+9 |
| 16 | 1 | STM6109 | Pomp 1/2 kam | Pump 1/2 cam |
| 17 | 4 | STM1056 | Veerring M8 | Spring washer M8 |
| 18 | 4 | STM2005 | Moer M8 | Nut M8 |



M2.02 M2.04 M2.06 M2.C5 Circulatiepomp
M2.13 M2.18 M2.D5

Circulation pump

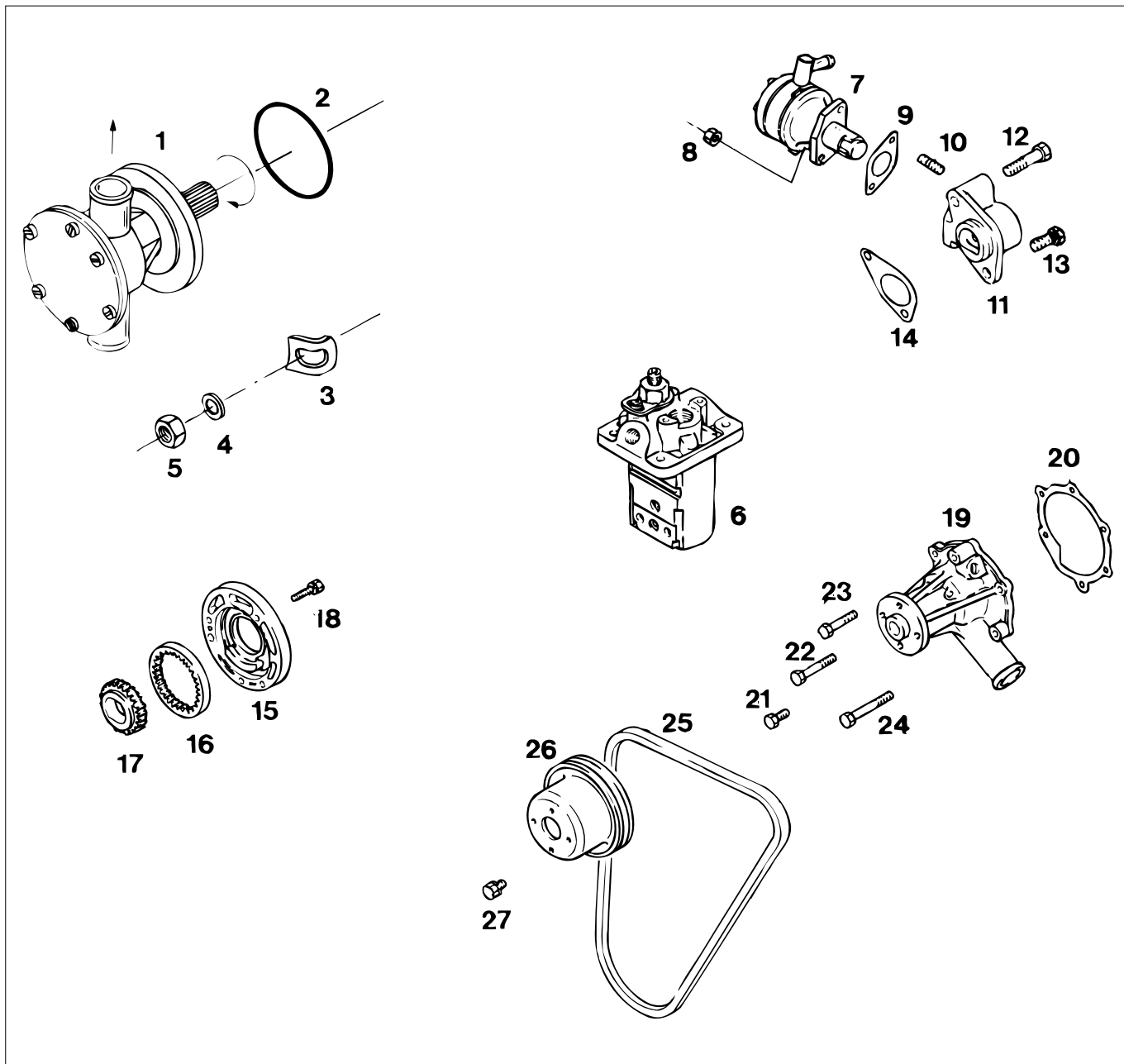
| pos. | qty | part | benaming | description |
|------|-----|---------|---|--|
| 2 | 1 | STM1227 | Pulley waterpomp | Pulley water pump |
| 3 | 4 | STM1228 | Bout | Bolt |
| 4 | 1 | STM1229 | Pomp | Pump assy |
| 5 | 1 | STM1230 | Pakking | Gasket |
| 6 | 2 | STM1231 | Bout | Bolt |
| 7 | 1 | STM6155 | Bout | Bolt |
| 8 | 1 | STM1232 | Bout | Bolt |
| 9 | 2 | STM1233 | Bout | Bolt |
| 10 | 1 | STM6263 | V-snaar L=905 mm, 40 A dynamo | V-belt L=905 mm, 40 A dynamo |
| | 1 | STM7439 | V-snaar L=925 mm, 75 A dynamo | V-belt L=925 mm, 75 A dynamo |
| 12 | 1 | STM6251 | Pakking | Gasket |
| 13 | 1 | STM6250 | Thermostaat 71°C | Thermostat 71°C |
| 14 | 1 | STM1234 | Houder | Fitting |
| 15 | 1 | STM1235 | Pakking | Gasket |
| 17 | 1 | STM1236 | Bout | Bolt |
| 18 | 1 | STM1237 | Pijp | Pipe |
| 19 | 2 | STM1238 | O-ring | O-ring |
| 20 | 1 | STM6269 | Afdichtring | Seal washer |
| 21 | 1 | STM6268 | Temperatuur schakelaar 111°C binnenwater M16x1,5 1p | Thermo switch 111°C coolant M16x1.5 1p |



M2.02 M2.04 M2.06 M2.C5
M2.D5 **Pompen**

Pumps

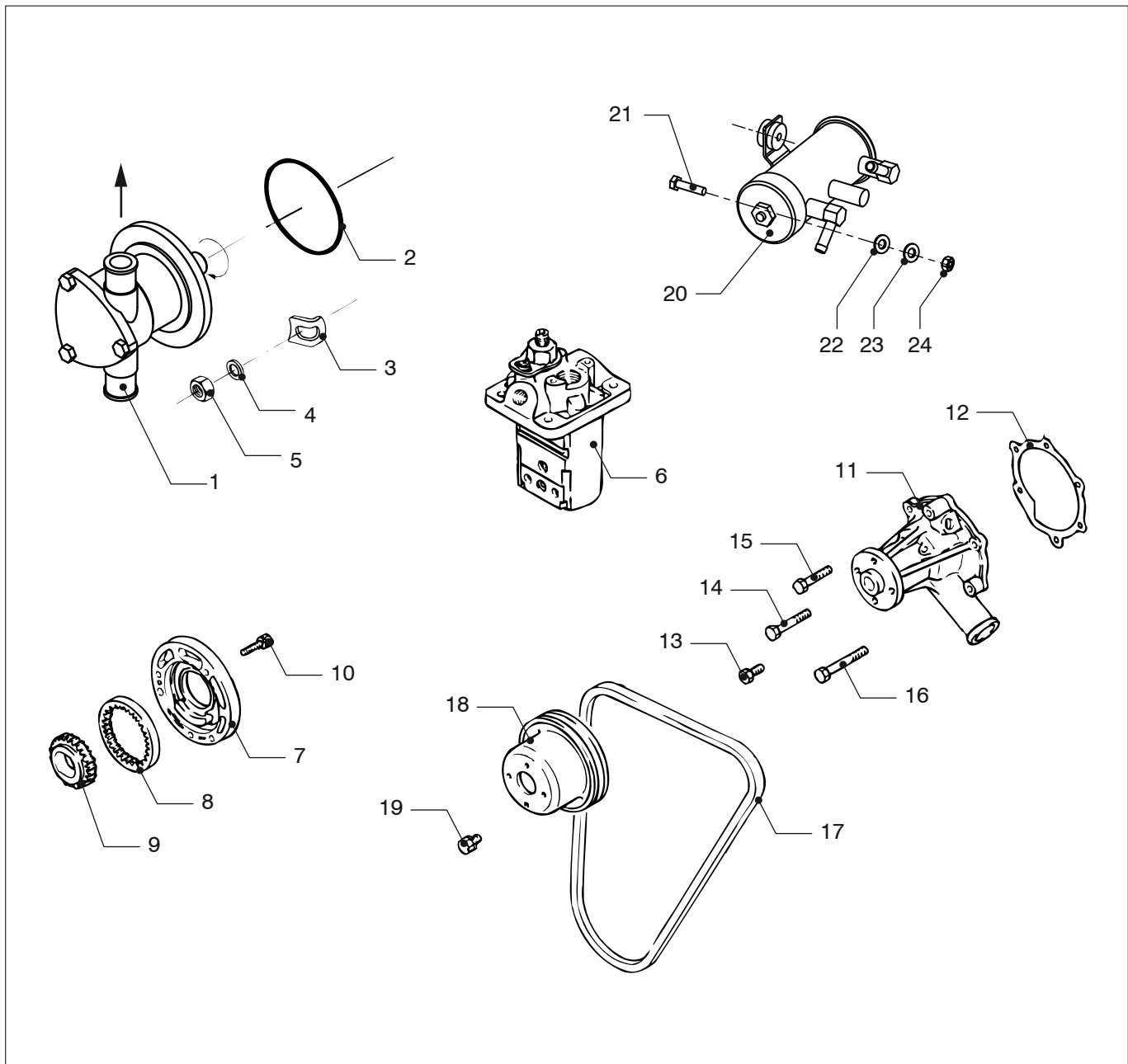
| pos. | qty | part | benaming | description |
|------|-----|---------|---------------------------|-----------------------|
| 1 | 1 | STM6109 | Zeewaterpomp | Seawater pump |
| 2 | 1 | STM6127 | O-ring | O-ring |
| 3 | 4 | STM6126 | Kikkerplaatje | Clamp plate |
| 4 | 4 | STM1019 | Ring | Washer |
| 5 | 4 | STM2005 | Moer M8 | Nut M8 |
| 6 | 1 | STM1426 | Brandstofpomp M2.06 | Fuel pump M2.06 |
| | 1 | STM1427 | Brandstofpomp M2.04 | Fuel pump M2.04 |
| | 1 | STM1098 | Brandstofpomp M2.C5/M2.D5 | Fuel pump M2.C5/M2.D5 |
| 7 | 1 | STM1127 | Brandstofopvoerpomp | Fuel lifting pump |
| 8 | 2 | STM3260 | Moer M6 | Nut M6 |
| 9 | 1 | STM1128 | Pakking | Gasket |
| 10 | 2 | STM1130 | Tapeind M6x14 | Stud M6x14 |
| 11 | 1 | STM1129 | Adaptor | Adaptor |
| 12 | 1 | STM2258 | Bout M8x45 | Bolt M8x45 |
| 13 | 1 | STM3255 | Bout M8x20 | Bolt M8x20 |
| 14 | 1 | STM1114 | Pakking | Gasket |



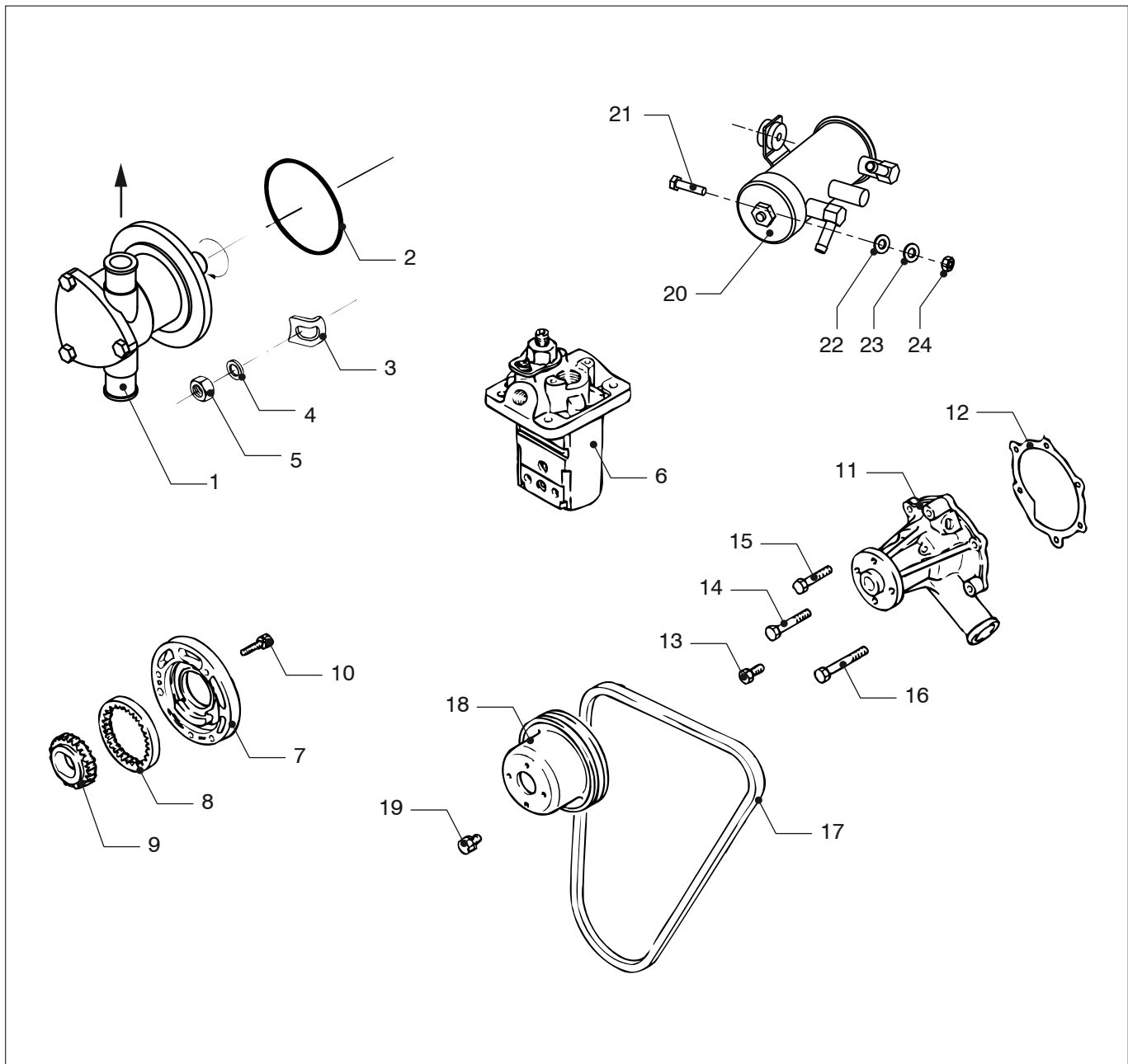
M2.02 M2.04 M2.06 M2.C5 **Pompen**
M2.D5

Pumps

| pos. | qty | part | benaming | description |
|------|-----|---------|-------------------------------|------------------------------|
| 15 | 1 | STM1145 | Oliepomp huis | Oil pump housing |
| 16 | 1 | STM1144 | Tandwiel buiten | Gear outer |
| 17 | 1 | STM1143 | Tandwiel binnen | Gear inner |
| 18 | 3 | STM2260 | Bout M6x30 | Bolt M6x30 |
| 19 | 1 | STM1229 | Waterpomp binnenwater | Waterpump coolant |
| 20 | 1 | STM1230 | Pakking | Gasket |
| 21 | 2 | STM1231 | Bout M6x18 | Bolt M6x18 |
| 22 | 1 | STM6155 | Bout M6x35 | Bolt M6x35 |
| 23 | 1 | STM1232 | Bout M6x45 | Bolt M6x45 |
| 24 | 2 | STM1233 | Bout M6x55 | Bolt M6x55 |
| 25 | 1 | STM6263 | V-snaar L=905 mm, 40 A dynamo | V-belt L=905 mm, 40 A dynamo |
| | 1 | STM7439 | V-snaar L=925 mm, 75 A dynamo | V-belt L=925 mm, 75 A dynamo |
| 26 | 1 | STM1227 | Pulley waterpomp | Pulley waterpump |
| 27 | 4 | STM1228 | Bout M6x12 | Bolt M6x12 |



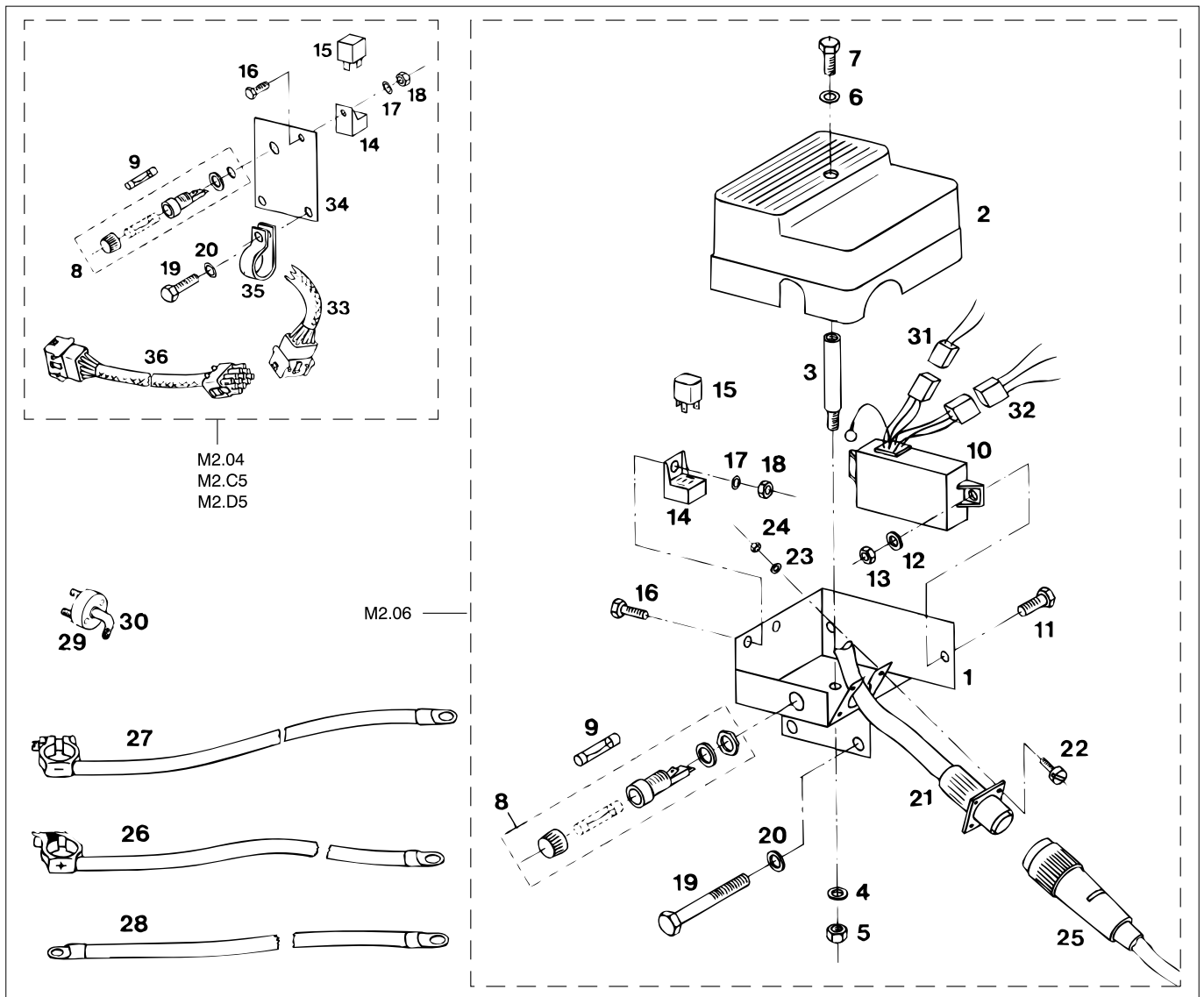
| M2.13 | | M2.18 | | Pompen | Pumps |
|-------|-----|---------|---------------------------|-----------------------|-------|
| pos. | qty | part | benaming | description | |
| 1 | 1 | STM6109 | Zeewaterpomp | Seawater pump | |
| 2 | 1 | STM6127 | O-ring | O-ring | |
| 3 | 4 | STM6126 | Kikkerplaatje | Clamp plate | |
| 4 | 4 | STM1019 | Ring | Washer | |
| 5 | 4 | STM2005 | Moer M8 | Nut M8 | |
| 6 | 1 | STM1426 | Brandstofpomp M2.13/M2.18 | Fuel pump M2.13/M2.18 | |
| 7 | 1 | STM1145 | Oliepomp huis | Oil pump housing | |
| 8 | 1 | STM1144 | Tandwiel buiten | Gear outer | |
| 9 | 1 | STM1143 | Tandwiel binnen | Gear inner | |
| 10 | 3 | STM2260 | Bout M6x30 | Bolt M6x30 | |
| 11 | 1 | STM1229 | Waterpomp binnenwater | Waterpump coolant | |
| 12 | 1 | STM1230 | Pakking | Gasket | |
| 13 | 2 | STM1231 | Bout M6x18 | Bolt M6x18 | |
| 14 | 1 | STM6155 | Bout M6x35 | Bolt M6x35 | |
| 15 | 1 | STM1232 | Bout M6x45 | Bolt M6x45 | |
| 16 | 2 | STM1233 | Bout M6x55 | Bolt M6x55 | |



Pompen

Pumps

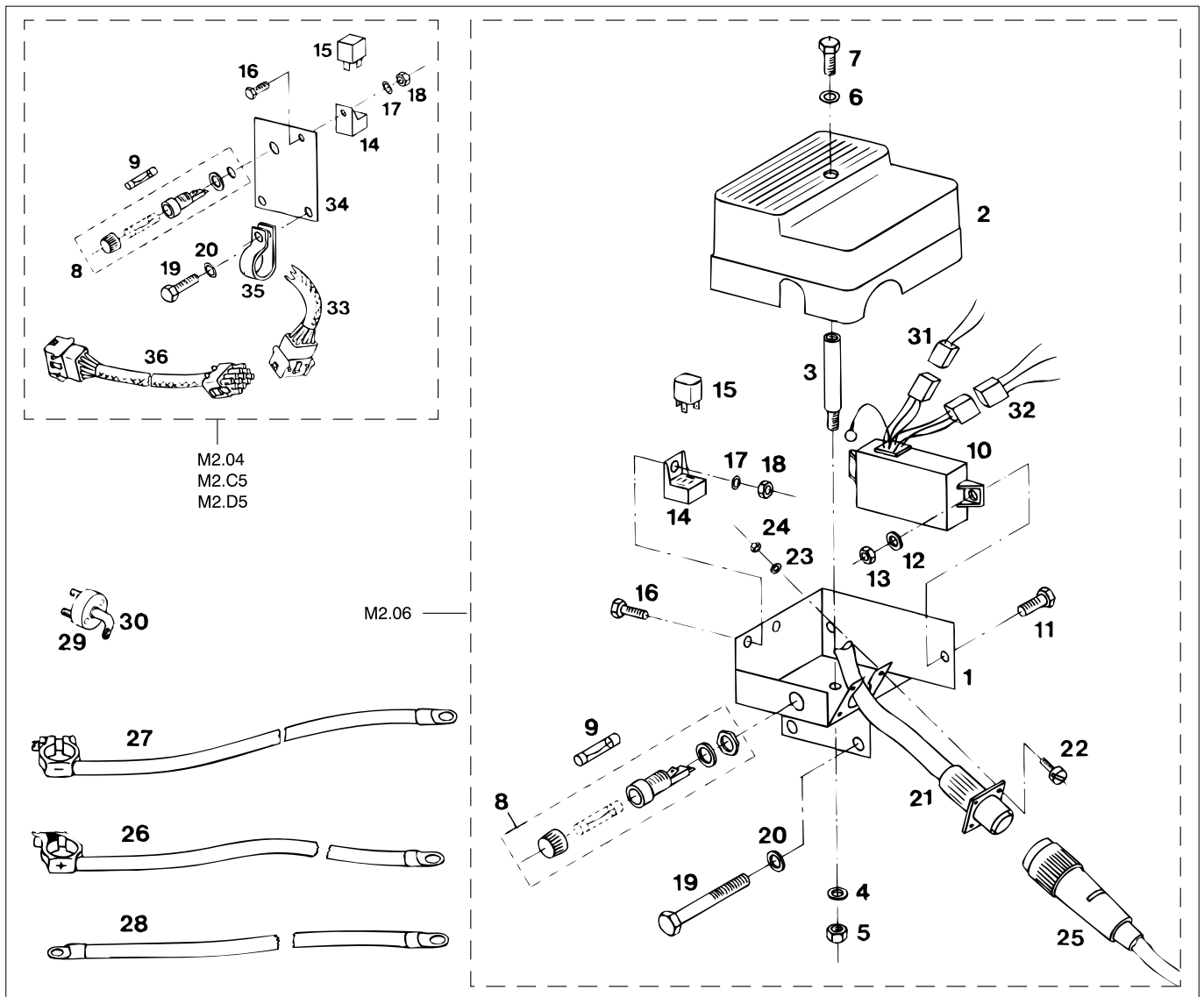
| M2.13 | M2.18 | | | |
|-------|-------|----------|---------------------------------|------------------------------|
| pos. | qty | part | benaming | description |
| 17 | 1 | STM7439 | V-snaar L=925 mm, 75 A dynamo | V-belt L=925 mm, 75 A dynamo |
| 18 | 1 | STM1227 | Pulley waterpomp | Pulley water pump |
| 19 | 4 | STM1228 | Bout M6x12 | Bolt M6x12 |
| 20 | 1 | 08-01297 | Elektrische brandstofopvoerpomp | Electric fuel lift pump |
| 21 | 2 | STM8372 | Bout M6x25 | Bolt M6x25 |
| 22 | 2 | STM8726 | Sluitring M6 | Plain washer M6 |
| 23 | 2 | STM1025 | Gegolfde veerring M6 | Wave spring washer M6 |
| 24 | 2 | STM8569 | Moer M6 | Nut M6 |



M2.04 M2.06 M2.C5 **Bedradingskast, 2001 <-**
M2.D5

Terminal box, 2001 <-

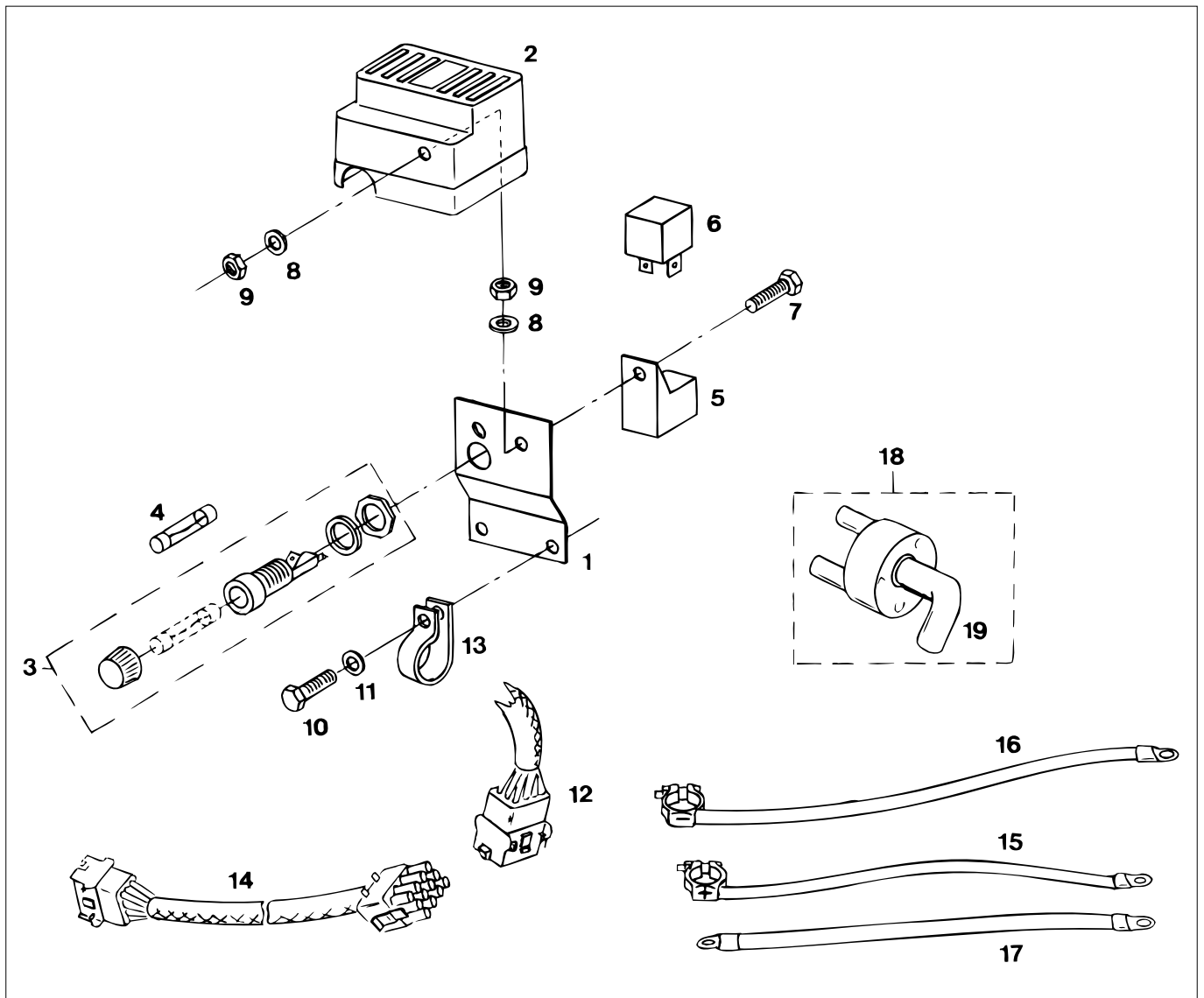
| pos. | qty | part | benaming | description |
|------|-----|---------|----------------------------|-----------------------|
| 1 | 1 | STM6134 | Bedradingssteun | Wiring support |
| 2 | 1 | STM6135 | Deksel | Cover |
| 3 | 1 | STM6146 | Afstandhouder | Distance piece |
| 4 | 1 | STM1707 | Ring | Washer |
| 5 | 1 | STM1705 | Moer M5 | Nut M5 |
| 6 | 1 | STM1025 | Ring | Washer |
| 7 | 1 | STM9063 | Bout M5x10 | Bolt M5x10 |
| 8 | 1 | STM9184 | Zekeringhouder | Fuse support |
| 9 | 1 | STM9185 | Zekering 10A traag ø6,3x32 | Fuse 10A slow ø6,3x32 |
| 10 | 1 | STM6253 | Stoptimer | Control timer |
| 11 | 2 | STM1030 | Bout M6x20 | Bolt M6x20 |
| 12 | 2 | CT40029 | Ring | Washer |
| 13 | 2 | STM3260 | Moer M6 | Nut M6 |
| 14 | 1 | STM9052 | Insteekvoet | Relay foot |
| 15 | 1 | STM9050 | Relais | Relay |
| 16 | 1 | STM9063 | Bout M5x10 | Bolt M5x10 |
| 17 | 1 | STM1707 | Ring | Washer |
| 18 | 1 | STM1705 | Moer M5 | Nut M5 |
| 19 | 2 | STM3355 | Bout M8x20 | Bolt M8x20 |
| 20 | 2 | STM1019 | Ring | Washer |



M2.04 M2.06 M2.C5 M2.D5 **Bedradingskast, 2001 <-**

Terminal box, 2001 <-

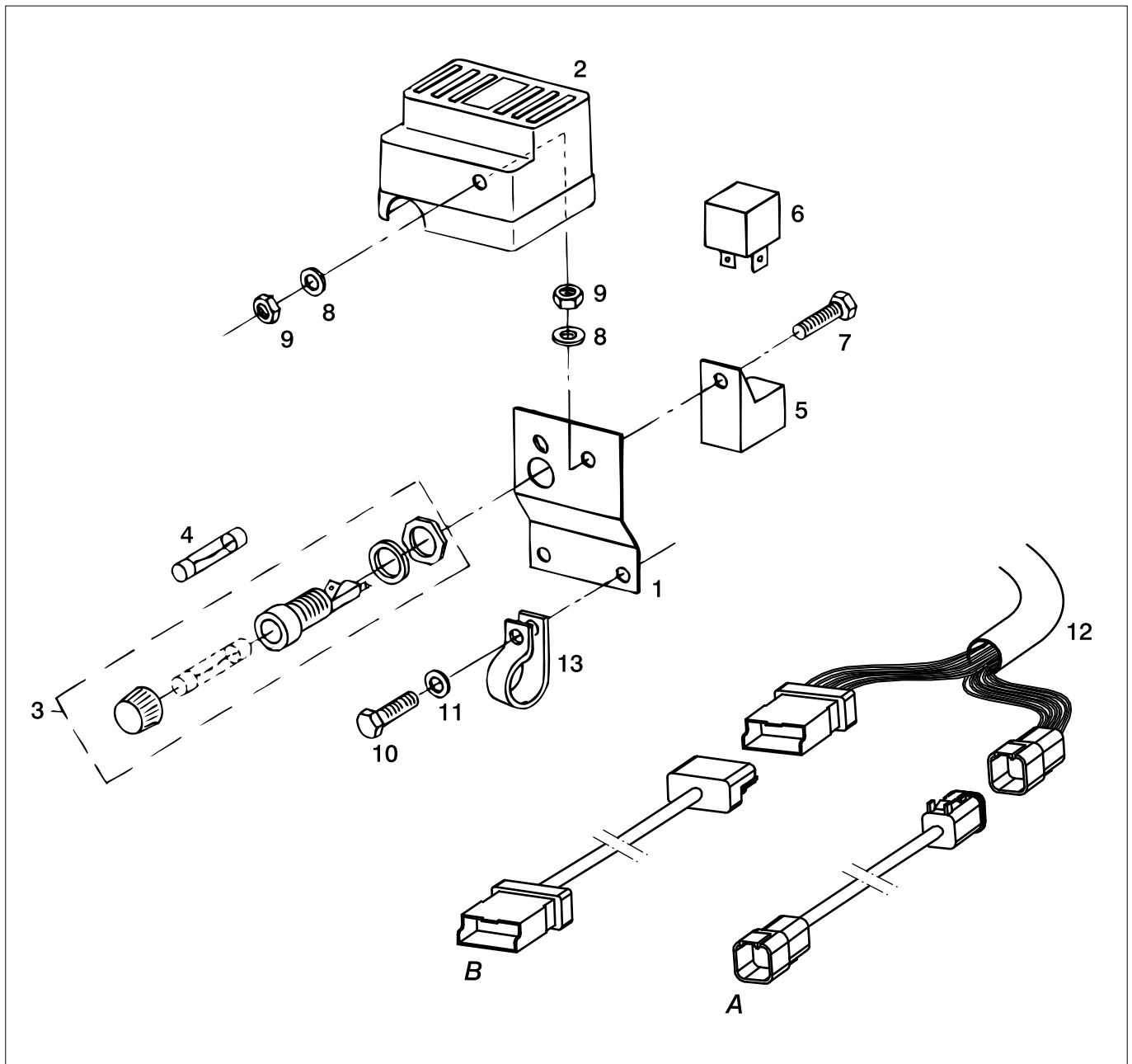
| pos. | qty | part | benaming | description |
|------|-----|---------|-------------------------|------------------------------|
| 21 | 1 | STM6203 | Motorbedrading | Engine wiring |
| 22 | 4 | STM6145 | Bout M3x16 | Bolt M3x16 |
| 23 | 4 | STM6143 | Ring | Washer |
| 24 | 4 | STM6144 | Moer M3 | Nut M3 |
| 25 | 1 | STM6222 | Tussenkabel 2 mtr. std. | Connection cable 2 mtr. std. |
| | 1 | STM6223 | Tussenkabel 4 mtr. | Connection cable 4 mtr. |
| | 1 | STM6224 | Tussenkabel 6 mtr. | Connection cable 6 mtr. |
| | 1 | STM6225 | Tussenkabel 12 mtr. | Connection cable 12 mtr. |
| 26 | 1 | STM3714 | + Accukabel | + Battery cable |
| 27 | 1 | STM3715 | - Accukabel | - Battery cable |
| 28 | 1 | STM3713 | Tussenkabel | Intermediate loom |
| 29 | 1 | STM3712 | Hoofdschakelaar | Main switch |
| 30 | 1 | STM3762 | Steutel | Key |
| 31 | 1 | STM6275 | Stekkerhuls | Connector |
| 32 | 1 | STM6276 | Stekkerhuls | Connector |
| 33 | 1 | STM6229 | Motorbedrading | Engine Wiring |
| 34 | 1 | STM6231 | Bevestigingspl. | Support |
| 35 | 1 | STM3066 | Leidingklem | Pipe Clamp |
| 36 | 1 | STM9056 | Tussenkabel 2mtr. | Connection Cable 2mtr |



M2.04 M2.06 M2.C5 **Bedradingskast, 2001 <-**
M2.D5

Terminal box, 2001 <-

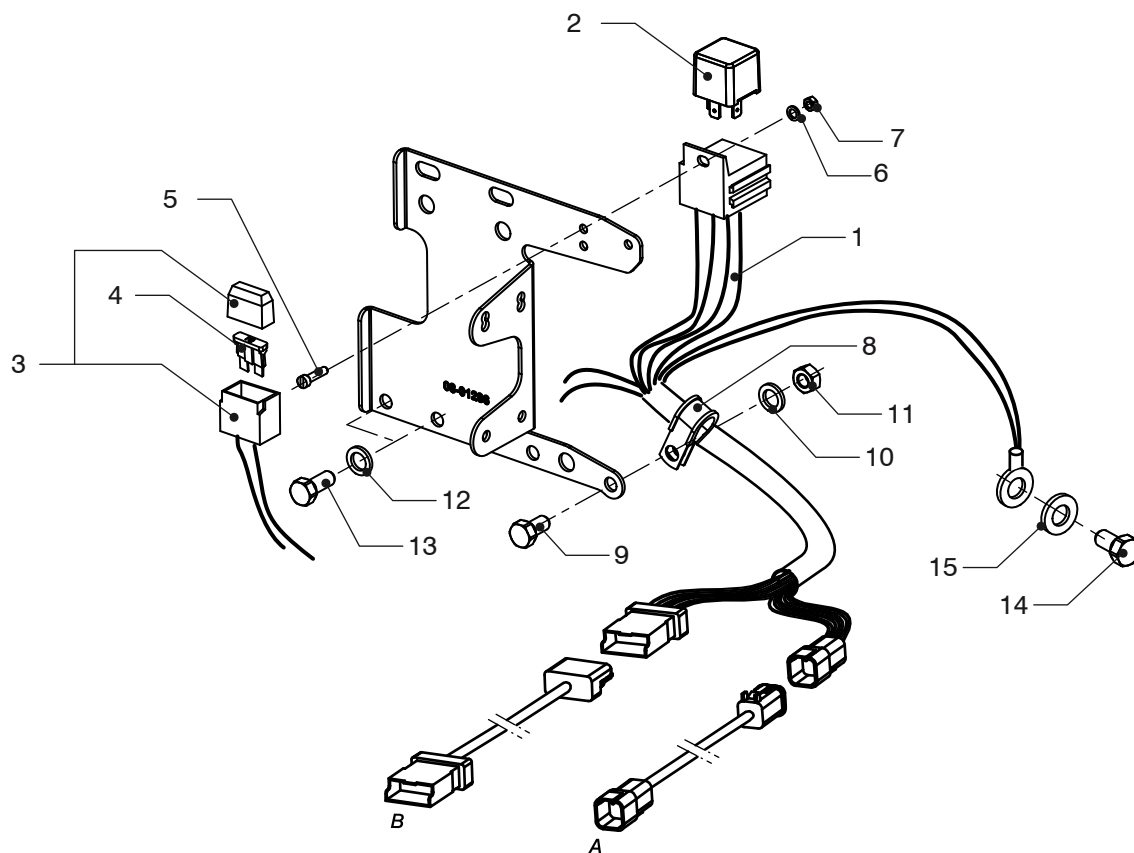
| pos. | qty | part | benaming | description |
|------|-----|---------|----------------------------|-----------------------|
| 1 | 1 | STM6246 | Bedradingssteun | Wiring support |
| 2 | 1 | STM6248 | Deksel | Cover |
| 3 | 1 | STM9184 | Zekeringhouder | Fuse support |
| 4 | 1 | STM9185 | Zekering 10A traag ø6,3x32 | Fuse 10A slow ø6,3x32 |
| 5 | 1 | STM9052 | Insteekvoet | Relay foot |
| 6 | 1 | STM9050 | Relais | Relay |
| 7 | 1 | CT40075 | Bout M5x16 | Bolt M5x16 |
| 8 | 2 | STM8177 | Gegolfde veerring M5 | Wave spring washer M5 |
| 9 | 2 | STM1705 | Moer M5 | Nut M5 |
| 10 | 2 | STM3355 | Bout M8x20 | Bolt M8x20 |
| 11 | 2 | STM1019 | Ring | Washer |
| 12 | 1 | STM6229 | Motorbedrading | Engine Wiring |
| 13 | 1 | STM3066 | Leidingklem | Pipe Clamp |
| 14 | 1 | STM9056 | Tussenkabel 2mtr. | Connection Cable 2mtr |
| 15 | 1 | STM3714 | + Accukabel | + Battery cable |
| 16 | 1 | STM3715 | - Accukabel | - Battery cable |
| 17 | 1 | STM3713 | Tussenkabel | Intermediate loom |
| 18 | 1 | STM3712 | Hoofdschakelaar | Main switch |
| 19 | 1 | STM3762 | Steutel | Key |



M2.02 M2.04 M2.06 M2.C5
M2.D5 **Bedradingskast, 2001 -> - 2014 <-**

Terminal box,2001 -> - 2014 <-

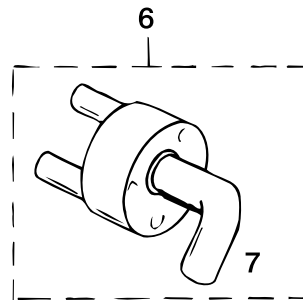
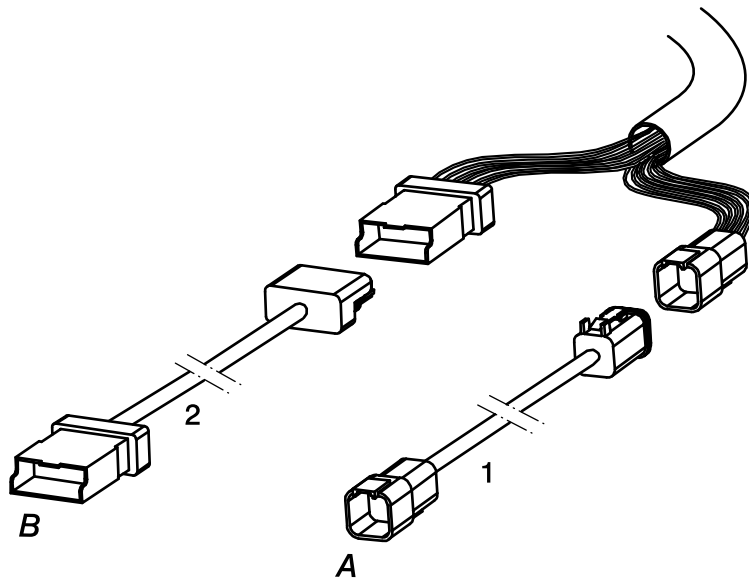
| pos. | qty | part | benaming | description |
|------|-----|---------|----------------------------|------------------------|
| 1 | 1 | STM6246 | Bedradingssteun | Wiring support |
| 2 | 1 | STM6248 | Deksel | Cover |
| 3 | 1 | STM9184 | Zekeringhouder | Fuse support |
| 4 | 1 | STM9185 | Zekering 10A traag ø6,3x32 | Fuse 10A slow ø 6,3x32 |
| 5 | 1 | STM9052 | Insteekvoet | Relay foot |
| 6 | 1 | STM9050 | Relais | Relay |
| 7 | 1 | CT40075 | Bout M5x16 | Bolt M5x16 |
| 8 | 2 | STM8177 | Gegolfde veerring M5 | Wave spring washer M5 |
| 9 | 2 | STM1705 | Moer M5 | Nut M5 |
| 10 | 2 | STM3355 | Bout M8x20 | Bolt M8x20 |
| 11 | 2 | STM1019 | Ring | Washer |
| 12 | 1 | STM6921 | Motorbedrading | Engine Wiring |
| 13 | 1 | STM3066 | Leidingklem | Pipe Clamp |



Motorbedrading 2014 ->

Engine wiring 2014 ->

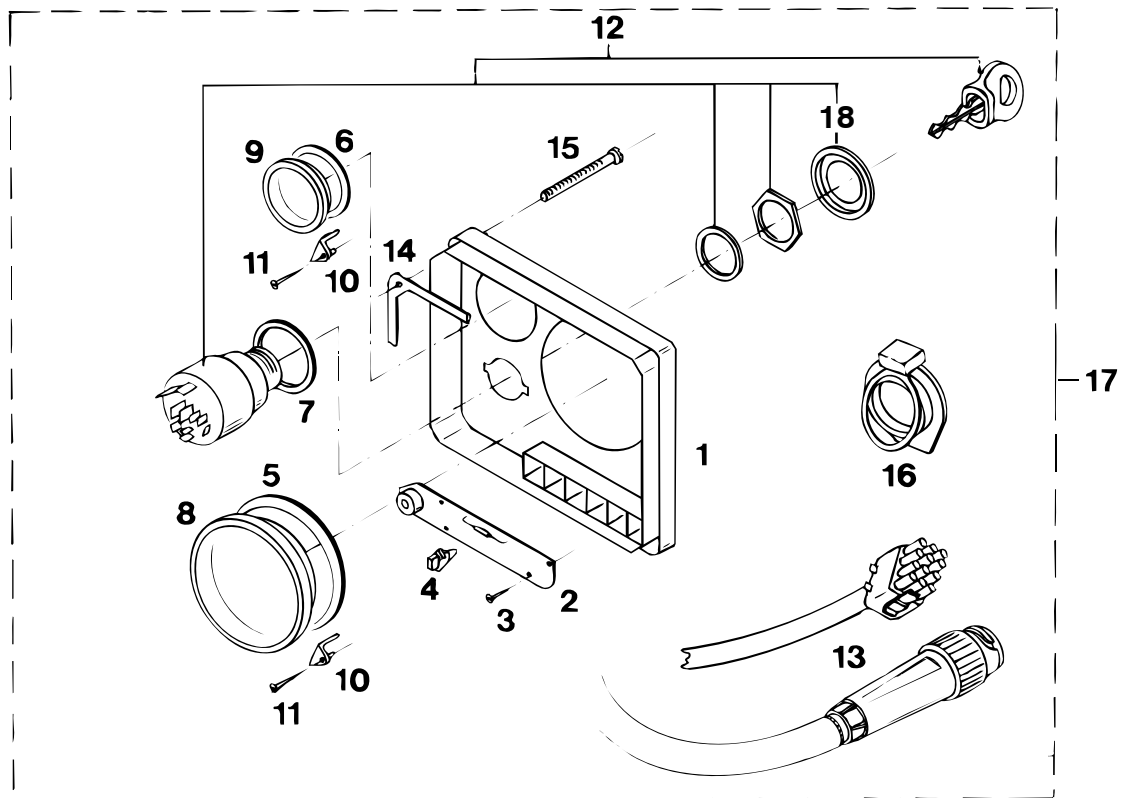
| M2.13 | M2.18 | | | |
|-------|-------|----------|------------------------|-----------------------|
| pos. | qty | part | benaming | description |
| 1 | 1 | 08-01310 | Motor bedrading | Engine wiring |
| 2 | 1 | STM9050 | Relais 12V-30A | Relay 12V-30A |
| 3 | 1 | 08-01290 | Zekering houder | Relay holder |
| 4 | 1 | STM4614 | Steek zekering ATO 10A | ATO fuse 10A |
| 5 | 1 | 08-01303 | Schroef M4x16 | Screw M4x16 |
| 6 | 1 | CT40042 | Gegolfde veerring M4 | Wave spring washer M4 |
| 7 | 1 | STM9113 | Zelfborgende moer M4 | Nyloc nut M4 |
| 8 | 1 | STM4593 | Klem Ø 14 | Clamp Ø 14 |
| 9 | 1 | STM3355 | Bout M8x20 | Bolt M8x20 |
| 10 | 1 | STM1019 | Gegolfde veerring M8 | Wave spring washer M8 |
| 11 | 1 | STM2005 | Moer M8 | Nut M8 |
| 12 | 2 | STM1019 | Gegolfde veerring M8 | Wave spring washer M8 |
| 13 | 2 | STM4055 | Bout M8x16 | Bolt M8x16 |
| 14 | 1 | STM3705 | Bout M10x1,25x25 | Bolt M10x1,25x25 |
| 15 | 1 | STM8390 | Sluitring M10 | Washer M10 |



M2.02 M2.04 M2.06 M2.C5 **Kabels en hoofdschakelaar, 2001 ->**
M2.13 M2.18 M2.D5

Cables and main switch, 2001 ->

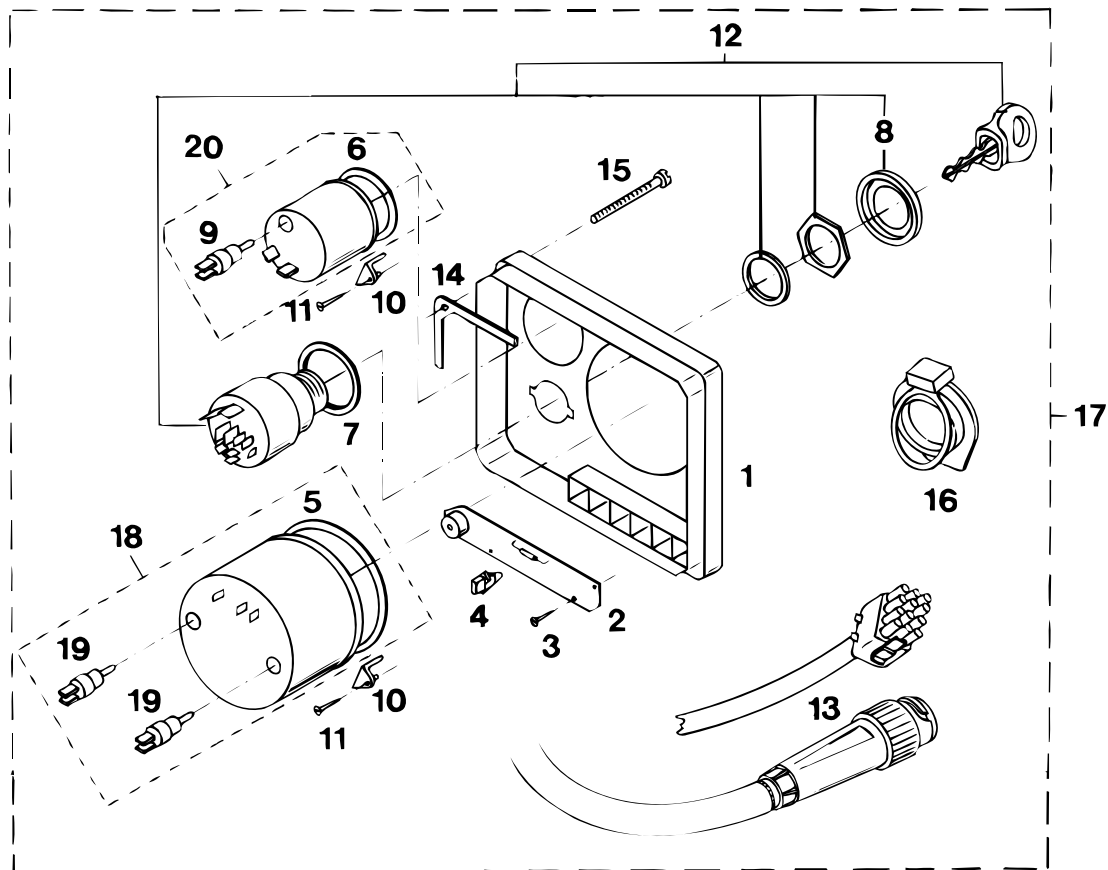
| pos. | qty | part | benaming | description |
|------|-----|---------|-----------------------------------|--|
| 1 | 1 | STM6941 | Tussenkabel A, 2mtr grijs 6polig | Intermediate cable A, 2mtr grey 6 pole |
| | 1 | STM6942 | Tussenkabel A, 4mtr grijs 6polig | Intermediate cable A, 4mtr grey 6 pole |
| | 1 | STM6943 | Tussenkabel A, 6mtr grijs 6polig | Intermediate cable A, 6mtr grey 6 pole |
| | 1 | STM6944 | Tussenkabel A, 12mtr grijs 6polig | Intermediate cable A, 12mtr grey 6 pole |
| 2 | 1 | STM6945 | Tussenkabel B, 2mtr zwart 6polig | Intermediate cable B, 2mtr black 6 pole |
| | 1 | STM6946 | Tussenkabel B, 4mtr zwart 6polig | Intermediate cable B, 4mtr black 6 pole |
| | 1 | STM6947 | Tussenkabel B, 6mtr zwart 6polig | Intermediate cable B, 6mtr black 6 pole |
| | 1 | STM6948 | Tussenkabel B, 12mtr zwart 6polig | Intermediate cable B, 12mtr black 6 pole |
| 6 | 1 | STM3712 | Hoofdschakelaar | Main switch |
| 7 | 1 | STM3762 | Steutel | Key |



**M2.04 M2.06 M2.C5
M2.D5 Instrumenten paneel '20' standaard
2001 <-**

**Instrument panel '20' standard
2001 <-**

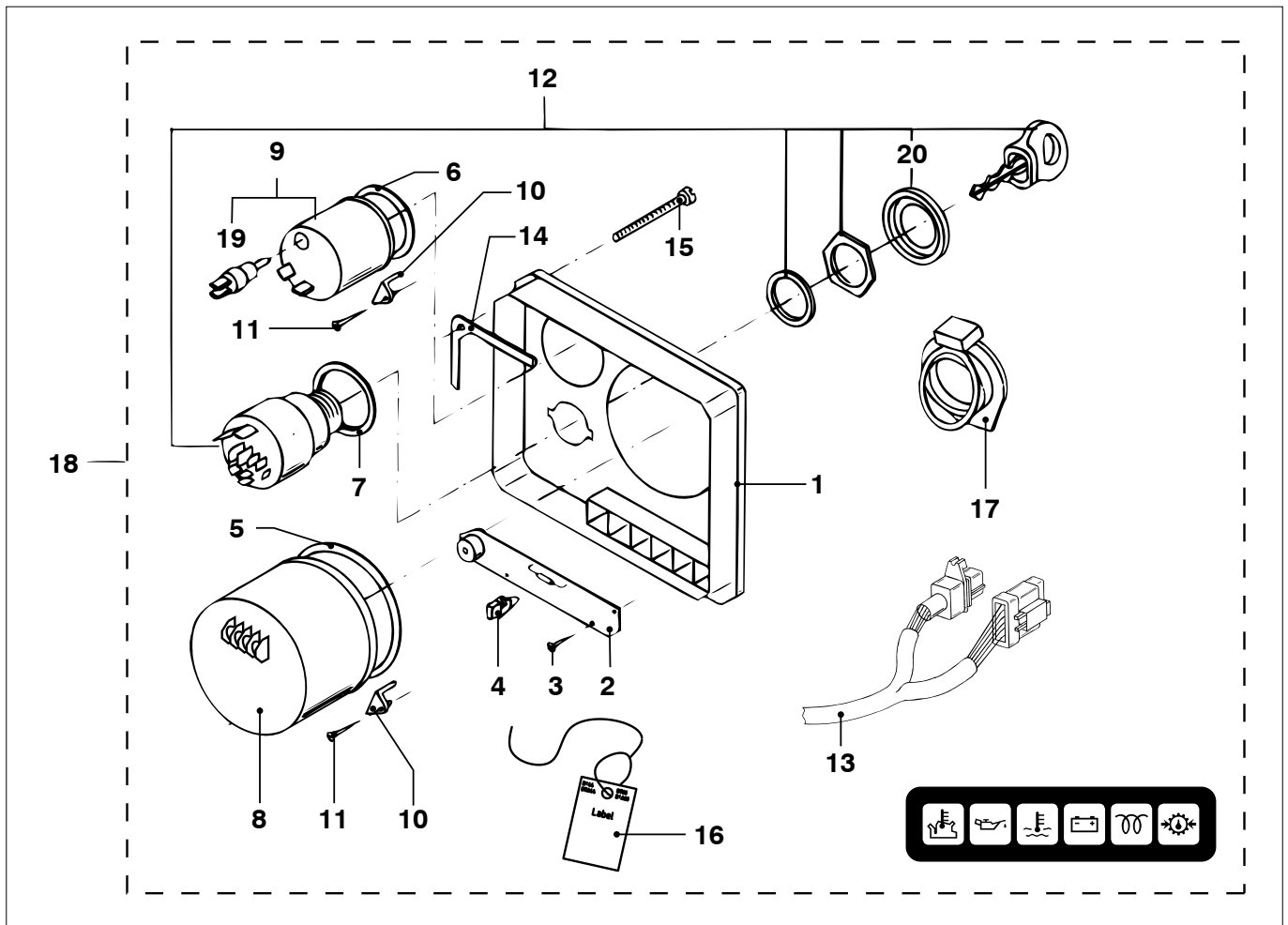
| pos. | qty | part | benaming | description |
|------|-----|-----------|--------------------------------------|---|
| 1 | 1 | STM9186 | Paneel | Panel |
| 2 | 1 | STM9168 | Print cpl | Print cpl |
| 3 | 4 | P2295RKP | Plaatschroef | Screw |
| 4 | 6 | STM9169 | Gloeilamp | Bulb |
| 5 | 1 | STM9170 | Pakking | Gasket |
| 6 | 1 | STM9171 | Pakking | Gasket |
| 7 | 1 | STM9172 | Pakking | Gasket |
| 8 | 1 | STM9173 | Blindplaat ø98 | Blind plate ø98 |
| 9 | 1 | STM9174 | Blindplaat ø48 | Blind plate ø48 |
| 10 | 6 | PA6488 | Beugel | Support |
| 11 | 6 | P35164RKP | Plaatschroef | Screw |
| 12 | 1 | STM9215 | Contactslot & steutel | Ignition & key |
| 13 | 1 | STM6204 | Paneelbedrading M2.06 | Panel wiring M2.06 |
| | 1 | STM9164 | Paneelbedrading | Panel wiring |
| 14 | 1 | STM9180 | Pakking | Gasket |
| 15 | 4 | P35254ZKP | Plaatschroef | Screw |
| 16 | 1 | STM9188 | Contactslotdeksel | Ignition cover |
| 17 | 1 | STM6208 | Instr.paneel cpl zonder meters M2.06 | Instr.panel compl. without meters M2.06 |
| 18 | 1 | STM9888 | Kap | Cap |



**M2.04 M2.06 M2.C5
M2.D5 Instrumenten paneel '22' standaard
2001 <-**

**Instrument panel '22' standard
2001 <-**

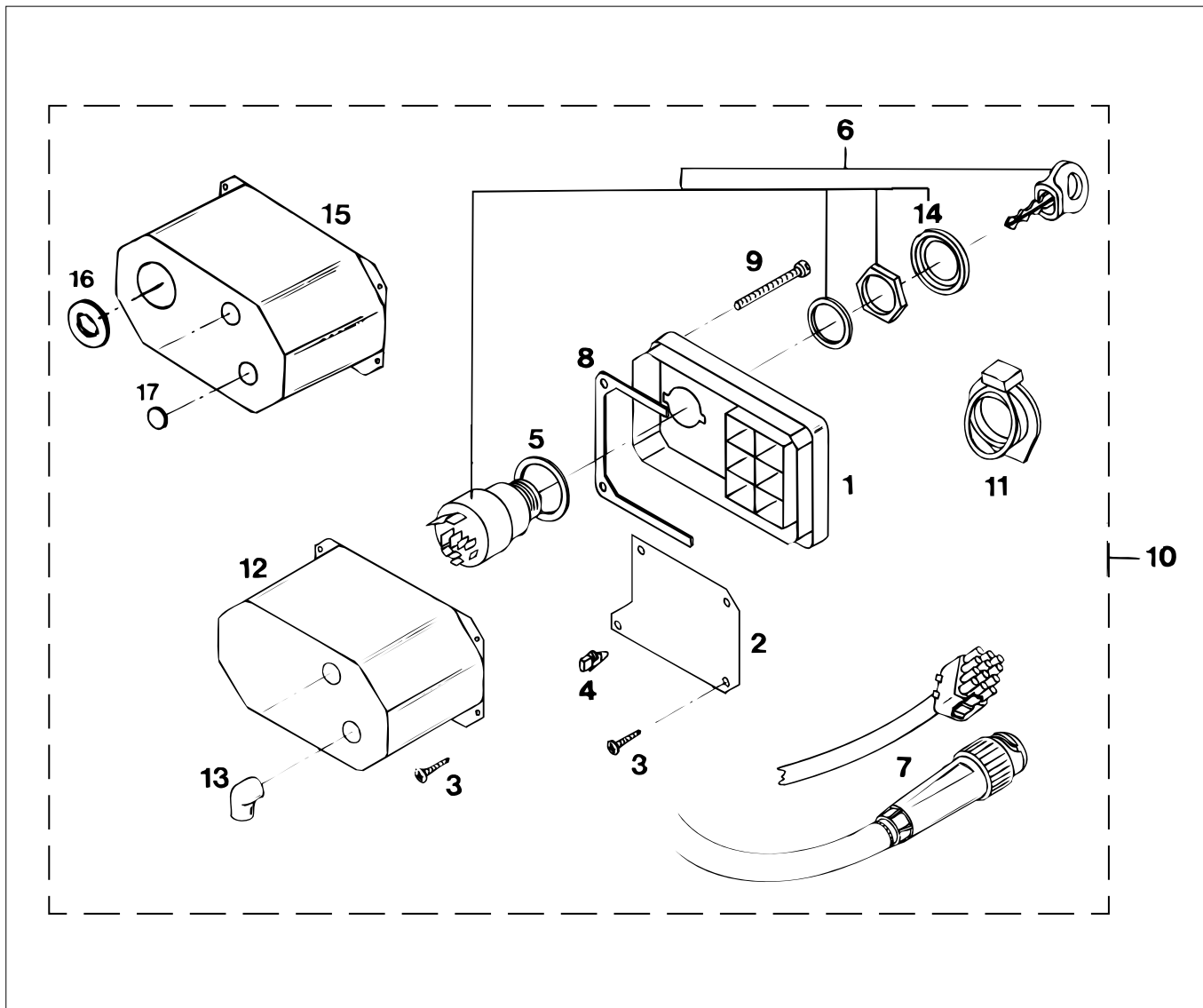
| pos. | qty | part | benaming | description |
|------|-----|-----------|----------------------------------|---|
| 1 | 1 | STM9186 | Paneel | Panel |
| 2 | 1 | STM9168 | Print cpl | Print cpl |
| 3 | 4 | P2295RKP | Plaatschroef | Screw |
| 4 | 6 | STM9169 | Gloeilamp | Bulb |
| 5 | 1 | STM9170 | Pakking | Gasket |
| 6 | 1 | STM9171 | Pakking | Gasket |
| 7 | 1 | STM9172 | Pakking | Gasket |
| 8 | 1 | STM9888 | Kap | Cap |
| 9 | 1 | CT40133 | Gloeilamp 12V | Bulb 12V |
| 10 | 6 | PA6488 | Beugel | Support |
| 11 | 6 | P35164RKP | Plaatschroef | Screw |
| 12 | 1 | STM9215 | Contactslot & steutel | Ignition & key |
| 13 | 1 | STM6204 | Paneelbedrading M2.06 | Panel wiring M2.06 |
| | 1 | STM9164 | Paneelbedrading | Panel wiring |
| 14 | 1 | STM9180 | Pakking | Gasket |
| 15 | 4 | P35254ZKP | Plaatschroef | Screw |
| 16 | 1 | STM9188 | Contactslotdeksel | Ignition cover |
| 17 | 1 | STM6209 | Instr.pan.cpl.incl. meters M2.06 | Instrument panel cpl. meters included M2.06 |
| | 1 | STM9197 | Instr.pan.cpl.incl. meters | Instrument panel cpl. meters included |
| 18 | 1 | STM6207 | Toerenteller 4000rpm | Tachometer 4000rpm |
| 19 | 2 | CT40131 | Gloeilamp 12V | Bulb 12V |
| 20 | 1 | STM9177 | Voltmeter | Voltmeter |



M2.02 M2.04 M2.06 M2.C5 M2.D5 Instrumenten paneel '22' standaard 2001 ->

Instrument panel '22' standard 2001 ->

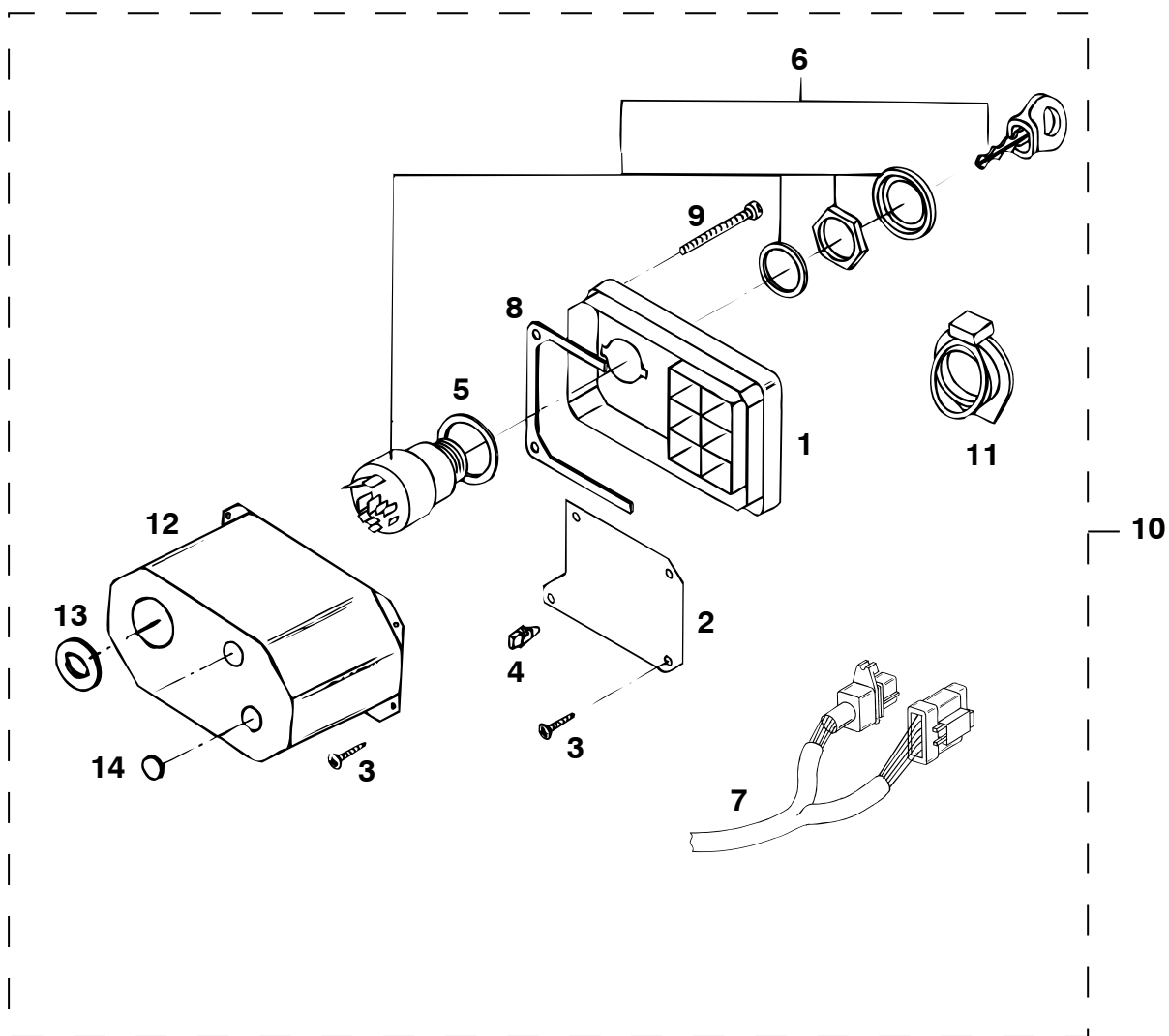
| pos. | qty | part | benaming | description |
|------|-----|-----------|---|---|
| 1 | 1 | STM9186 | Paneel incl. frontfolie | Panel incl. overlay |
| 2 | 1 | STM6912 | Print MP20, 21, 22 cpl. 12 V | PCB MP20, 21, 22 cpl. 12 V |
| 3 | 4 | P2295RKP | Plaatschroef | Screw |
| 4 | 6 | STM9169 | Gloeilamp 12 V | Bulb 12 V |
| 5 | 1 | STM9170 | Pakking | Gasket |
| 6 | 1 | STM9171 | Pakking | Gasket |
| 7 | 1 | STM9172 | Pakking | Gasket |
| 8 | 1 | STM9176 | Toeren/urenteller, zwart, 0-4000 rpm | Tachometer/hour counter, black, 0-4000 rpm |
| | 1 | LNTACHU | Toeren/urenteller, beige, 0-4000 rpm | Tachometer/hour counter, beige, 0-4000 rpm |
| 9 | 1 | STM9177 | Voltmeter, zwart, 12 V | Voltmeter, zwart, 12 V |
| | 1 | LNVOLT12U | Voltmeter, beige, 12 V | Voltmeter, beige, 12 V |
| 10 | 6 | PA6488 | Beugel | Bracket |
| 11 | 6 | P35134RKP | Plaatschroef | Screw |
| 12 | 1 | STM9215 | Contactslot + sleutel | Key switch + key |
| 13 | 1 | STM6918 | Paneelbedrading | Wiring |
| 14 | 1 | STM9180 | Pakking | Gasket |
| 15 | 4 | P35254ZKP | Plaatschroef | Screw |
| 16 | 1 | STM9731 | Label 'Afregele toerenteller' | Label 'Adjusting tachometer' |
| 17 | 1 | STM9188 | Contactslot deksel | Key switch cover |
| 18 | 1 | MP22BS12A | Instr.paneel cpl. zwarte instr. 0-4000 rpm 12 V | Instr.panel cpl. black instr. 0-4000 rpm 12 V |
| | 1 | MP22BN12A | Instr.paneel cpl. beige instr. 0-4000 rpm 12 V | Instr.panel cpl. beige instr. 0-4000 rpm 12 V |
| 19 | 1 | CT40133 | Gloeilamp 12 V | Bulb 12 V |
| 20 | 1 | STM9888 | Kap | Cover |



M2.04 M2.06 M2.C5 M2.D5 Instrumenten paneel MP10, 2001 <-

Instrument panel MP10, 2001 <-

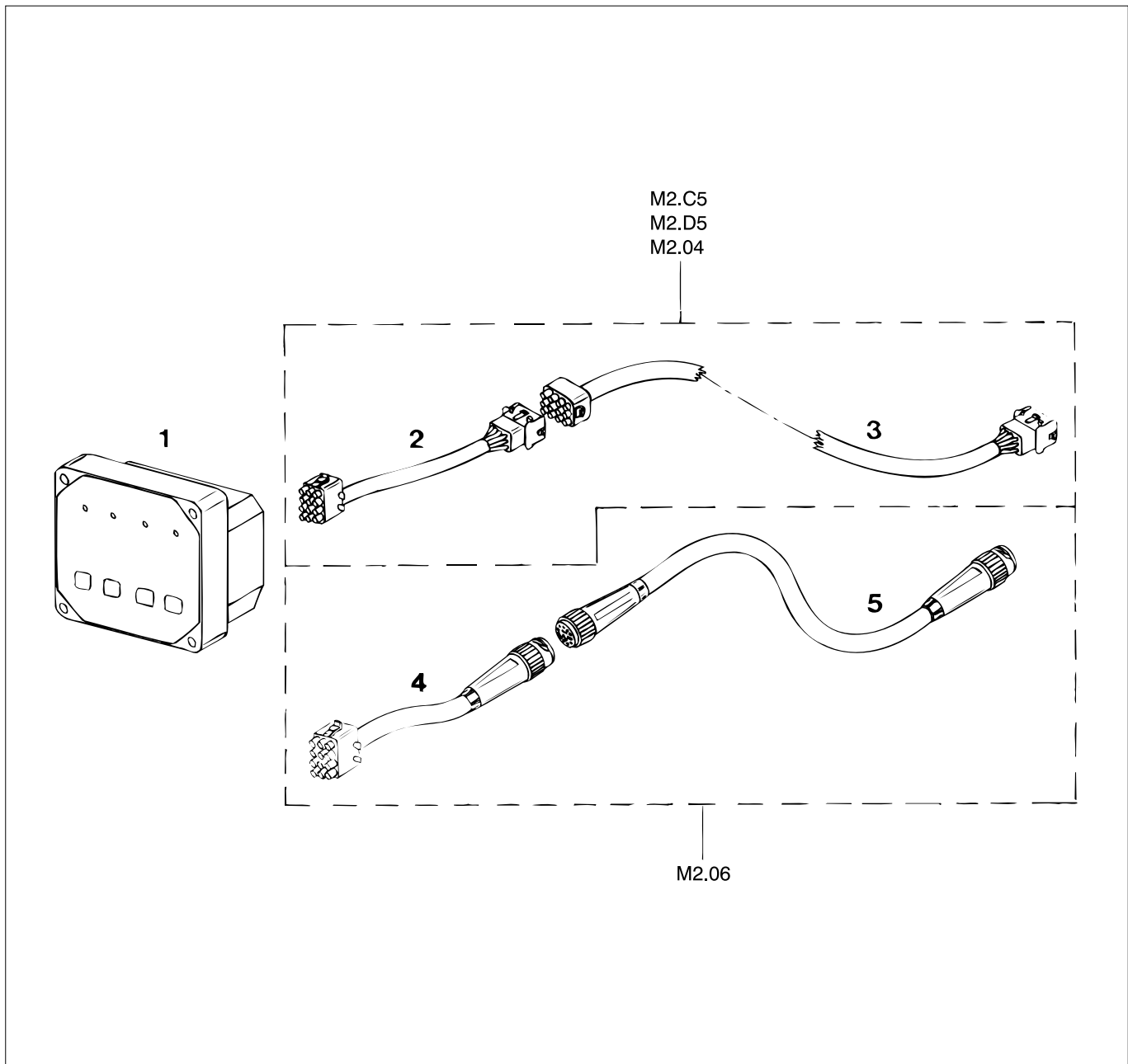
| pos. | qty | part | benaming | description |
|------|-----|-----------|-------------------------|-------------------------|
| 1 | 1 | STM9065 | Paneel | Panel |
| 2 | 1 | STM9066 | Print cpl | Print cpl |
| 3 | 8 | P2295RKP | Plaatschroef | Screw |
| 4 | 6 | STM9169 | Gloeilamp | Bulb |
| 5 | 1 | STM9172 | Pakking | Gasket |
| 6 | 1 | STM9215 | Contactslot & steutel | Ignition & key |
| 7 | 1 | STM6211 | Paneelbedrading M2.06 | Panel wiring |
| | 1 | STM9067 | Paneelbedrading | Panel wiring |
| 8 | 1 | STM9068 | Pakking | Gasket |
| 9 | 4 | P35254ZKP | Plaatschroef | Screw |
| 10 | 1 | STM6212 | Instr.paneel cpl. M2.06 | Instr.panel cpl. |
| | 1 | STM9064 | Instr.paneel cpl. | Instr.panel cpl. |
| 11 | 1 | STM9188 | Contactslot deksel | Ignition cover |
| 12 | 1 | STM9069 | Beschermkap | Protective cap |
| 13 | 2 | STM9070 | Trekontlasting | Strain relief |
| 14 | 1 | STM9888 | Kap | Cap |
| 15 | 1 | STM9069 | Bechermkap 02-99 -> | Protective cap 02-99 -> |
| 16 | 1 | STM7222 | Doorvoertule 02-99 -> | Grommet 02-99 -> |
| 17 | 2 | STM7254 | Blindplaat 02-99 -> | Hole plug 02-99 -> |



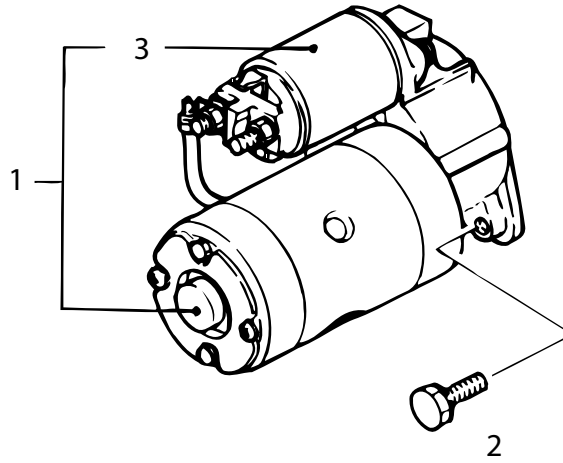
M2.02 M2.04 M2.06 M2.C5 Instrumenten paneel MP10, 2001 ->
M2.13 M2.18 M2.D5

Instrument panel MP10, 2001 ->

| pos. | qty | part | benaming | description |
|------|-----|-----------|-----------------------|------------------|
| 1 | 1 | STM9065 | Paneel | Panel |
| 2 | 1 | STM9066 | Print cpl | Print cpl |
| 3 | 8 | P2295RKP | Plaatschroef | Screw |
| 4 | 6 | STM9169 | Gloeilamp | Bulb |
| 5 | 1 | STM9172 | Pakking | Gasket |
| 6 | 1 | STM9215 | Contactslot & steutel | Ignition & key |
| 7 | 1 | STM6920 | Paneelbedrading | Panel wiring |
| 8 | 1 | STM9068 | Pakking | Gasket |
| 9 | 4 | P35254ZKP | Plaatschroef | Screw |
| 10 | 1 | MP10B12 | Instr.paneel cpl. | Instr.panel cpl. |
| 11 | 1 | STM9188 | Contactslot deksel | Ignition cover |
| 12 | 1 | STM9069 | Beschermkap | Protective cap |
| 13 | 1 | STM7222 | Doorvoertule | Grommet |
| 14 | 2 | STM7254 | Blindstop | Plug |



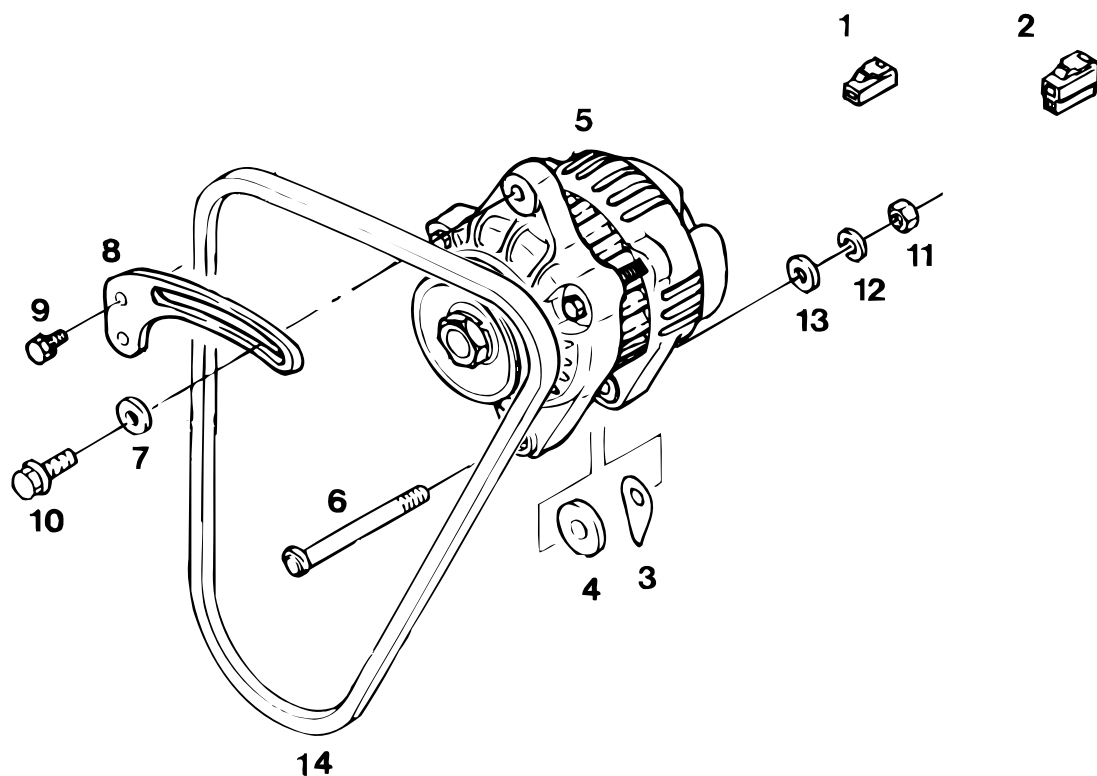
| pos. | qty | part | benaming | description |
|------|-----|---------|-----------------------------|------------------------------------|
| 1 | 1 | MP00 | Paneel cpl. | Panel cpl. |
| 2 | 1 | STM9135 | Interfacekabel BEDR002 | Interface cable BEDR002 |
| 3 | 1 | STM9056 | Tussenkabel 2mtr BEDR1202 | Intermediate cable 2mtr. BEDR1202 |
| | 1 | STM9119 | Tussenkabel 4mtr BEDR1204 | Intermediate cable 4mtr. BEDR1204 |
| | 1 | STM9132 | Tussenkabel 6mtr. BEDR1206 | Intermediate cable 6mtr. BEDR1206 |
| | 1 | STM3890 | Tussenkabel 12mtr. BEDR1212 | Intermediate cable 12mtr. BEDR1212 |
| 4 | 1 | STM9136 | Interfacekabel BEDR003 | Interface cable BEDR003 |
| 5 | 1 | STM6222 | Tussenkabel 2mtr. | Intermediate cable 2mtr. |
| | 1 | STM6223 | Tussenkabel 4mtr. | Intermediate cable 4mtr. |
| | 1 | STM6224 | Tussenkabel 6mtr. | Intermediate cable 6mtr. |
| | 1 | STM6225 | Tussenkabel 12mtr. | Intermediate cable 12mtr. |



M2.02 M2.04 M2.06 M2.C5 **Startmotor**
M2.13 M2.18 M2.D5

Starter motor

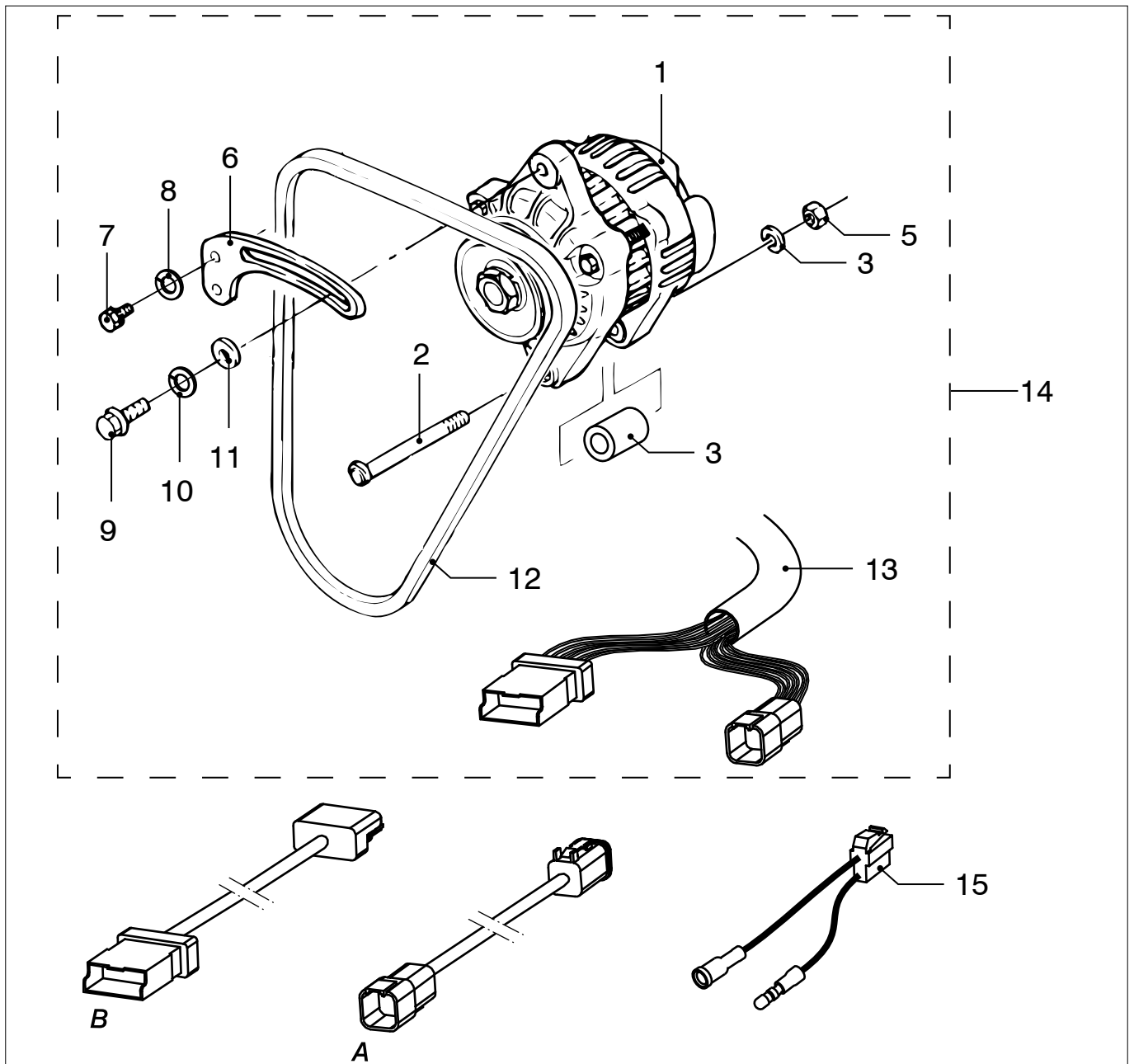
| pos. | qty | part | benaming | description |
|------|-----|---------|----------|--------------|
| 1 | 1 | STM1241 | Starter | Starter assy |
| 2 | 2 | STM4013 | Bout | Bolt |
| 3 | 1 | STM1250 | Relais | Switch assy |
| | | | | |
| | | | | |
| | | | | |
| | | | | |
| | | | | |
| | | | | |
| | | | | |
| | | | | |



M2.02 M2.04 M2.06 M2.C5
M2.D5 **Dynamo 40 A**

Alternator 40 A

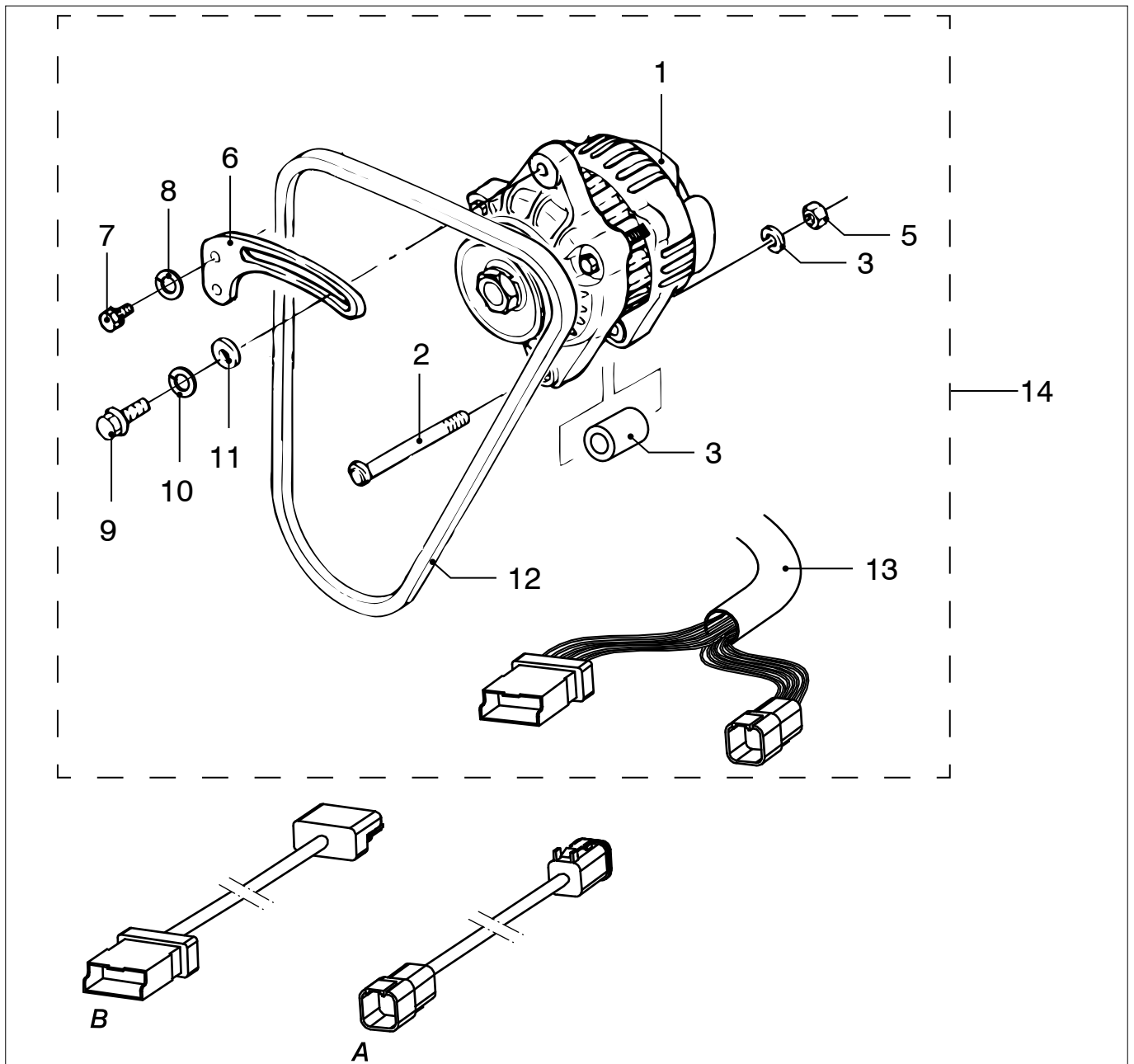
| pos. | qty | part | benaming | description |
|------|-----|---------|----------------------------------|-------------------------------------|
| 1 | 1 | STM6277 | Stekkerhuls | Connector |
| 2 | 1 | STM6278 | Stekkerhuls | Connector |
| 3 | 1 | STM1660 | Shim | Shim |
| 4 | 1 | STM1242 | Vulring | Spacer |
| 5 | 1 | STM1243 | Alternator 12V-40A | Alternator assy 12V-40A |
| 6 | 1 | STM1620 | Bout | Bolt |
| 7 | 1 | STM3749 | Ring | Washer |
| 8 | 1 | STM1244 | Spansteun M2.04/M2.06 | Tension support M2.04/M2.06 |
| | 1 | STM3930 | Spansteun M2.C5/M2.D5 | Tension support M2.C5/M2.D5 |
| 9 | 1 | STM1245 | Bout | Bolt |
| 10 | 1 | STM3683 | Bout | Bolt |
| 11 | 1 | STM1246 | Moer | Nut |
| 12 | 1 | STM1056 | Ring | Washer |
| 13 | 1 | STM1247 | Ring | Washer |
| 14 | 1 | STM6263 | V-snaar, L = 905 mm, 40 A dynamo | V-belt, L = 905 mm, 40 A alternator |



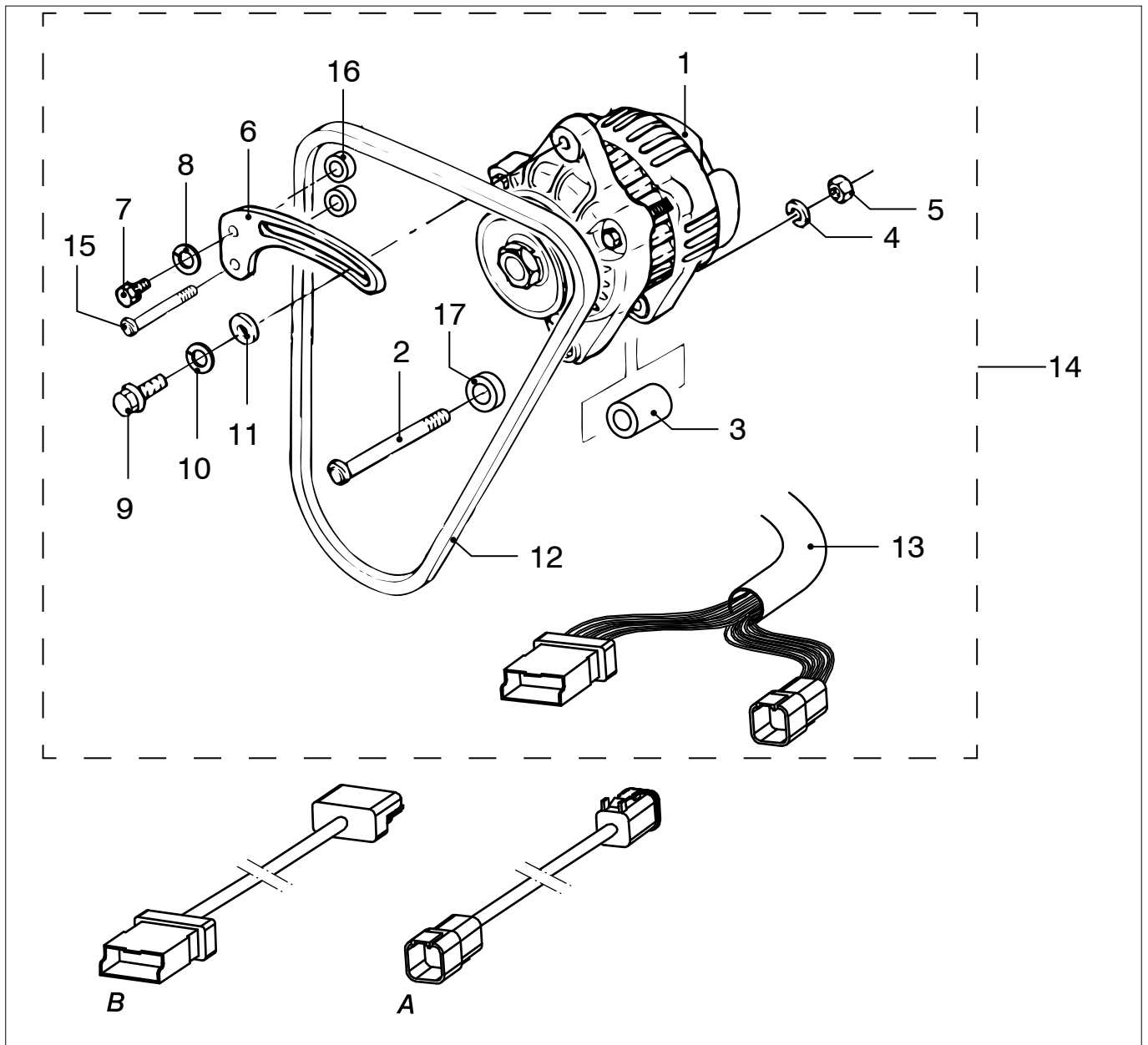
M2.02 M2.04 M2.06 M2.C5 M2.D5 **Dynamo 12 V - 75 A 1p**

Alternator 12 V - 75 A Earth return

| pos. | qty | part | benaming | description |
|------|-----|----------|-----------------------------------|--|
| 1 | 1 | STM7437 | Dynamo 12V-75A 1p | Alternator 12V-75A 1p |
| 2 | 1 | STM6121 | Bout M8x110 | Bolt M8x110 |
| 3 | 1 | STM4537 | Bus l=30 | Bush l=30 |
| 4 | 1 | STM1056 | Veerring M8 | Spring washer M8 |
| 5 | 1 | STM2005 | Moer M8 | Nut M8 |
| 6 | 1 | STM7438 | Spansteun | Tension support |
| 7 | 1 | STM1024 | Bout M6x15 | Bolt M6x15 |
| 8 | 1 | CT40029 | Veerring M6 | Spring washer M6 |
| 9 | 1 | STM3355 | Bout M8x20 | Bolt M8x20 |
| 10 | 1 | STM1056 | Veerring M8 | Spring washer M8 |
| 11 | 1 | STM3749 | Ring M8 | Washer M8 |
| 12 | 1 | STM7439 | V-snaar L=925 mm, 75 A dynamo | V-belt L=925 mm, 75 A dynamo |
| 13 | 1 | STM7440 | Motorbedrading | Engine wiring loom |
| 14 | 1 | STM9563 | Set 12V - 75 A 1 p dynamo L-serie | Set 12V - 75 A 1 p alternator L-series |
| 15 | 1 | 08-01095 | Verloopstekker STM1243 -> STM7437 | Adaptor STM1243 -> STM7437 |



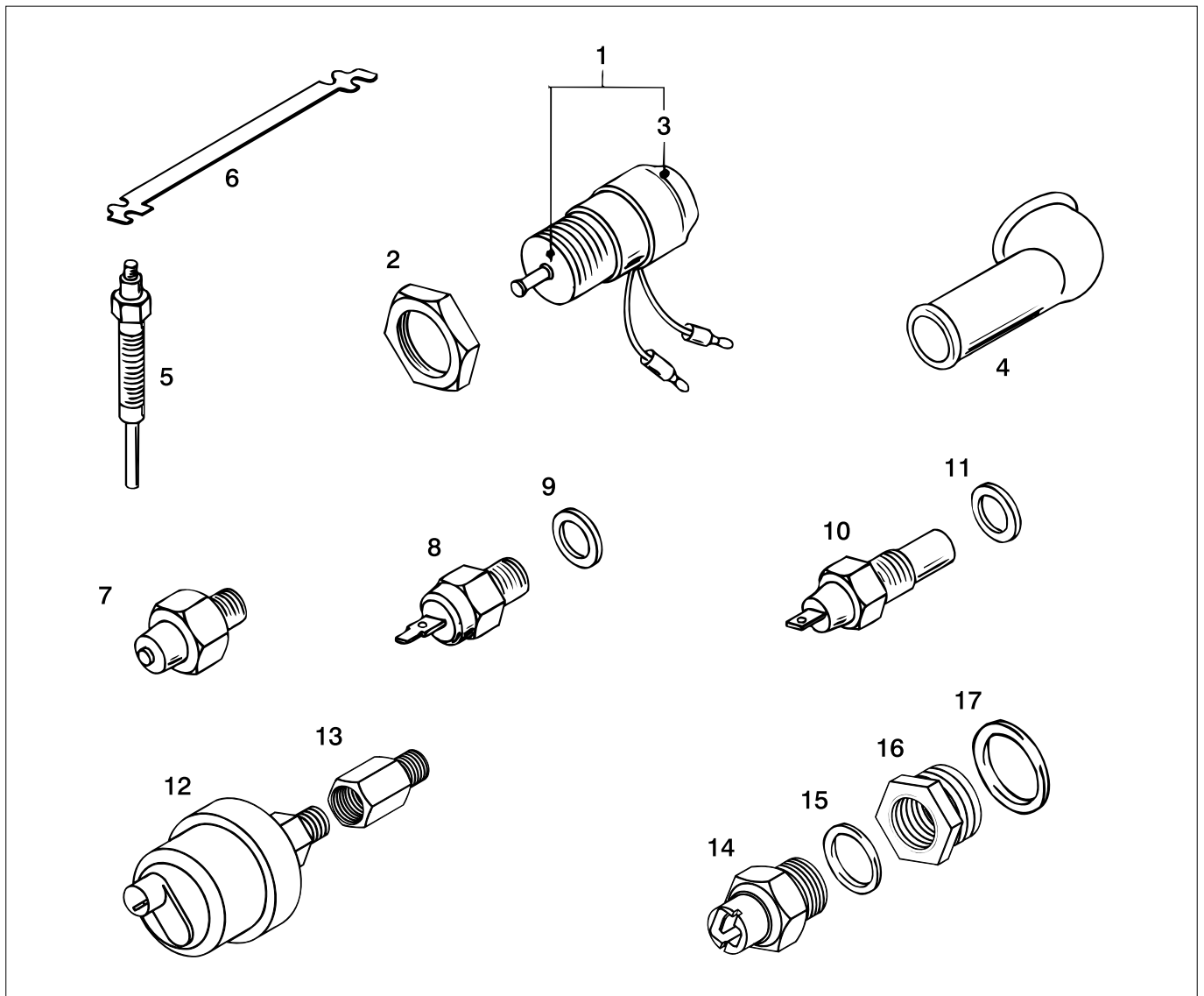
| Dynamo 12 V - 75 A 1p 02-2015 <- | | | | Alternator 12 V - 75 A Earth return 02-2015 <- | |
|--|-------|----------|-----------------------------------|--|--|
| M2.13 | M2.18 | | | | |
| pos. | qty | part | benaming | description | |
| 1 | 1 | STM7437 | Dynamo 12V-75A 1p | Alternator 12V-75A 1p | |
| 2 | 1 | STM6121 | Bout M8x110 | Bolt M8x110 | |
| 3 | 1 | STM4537 | Bus l=30 | Bush l=30 | |
| 4 | 1 | STM1056 | Veerring M8 | Spring washer M8 | |
| 5 | 1 | STM2005 | Moer M8 | Nut M8 | |
| 6 | 1 | STM7438 | Spansteun | Tension support | |
| 7 | 1 | STM1024 | Bout M6x15 | Bolt M6x15 | |
| 8 | 1 | CT40029 | Veerring M6 | Spring washer M6 | |
| 9 | 1 | STM3355 | Bout M8x20 | Bolt M8x20 | |
| 10 | 1 | STM1056 | Veerring M8 | Spring washer M8 | |
| 11 | 1 | STM3749 | Ring M8 | Washer M8 | |
| 12 | 1 | STM7439 | V-snaar L=925 mm, 75 A dynamo | V-belt L=925 mm, 75 A dynamo | |
| 13 | 1 | 08-01310 | Motorbedrading | Engine wiring loom | |
| 14 | 1 | STM9563 | Set 12V - 75 A 1 p dynamo L-serie | Set 12V - 75 A 1 p alternator L-series | |



Dynamo 12 V - 75 A 1p 02-2015 ->

Alternator 12 V - 75 A Earth return 02-2015 ->

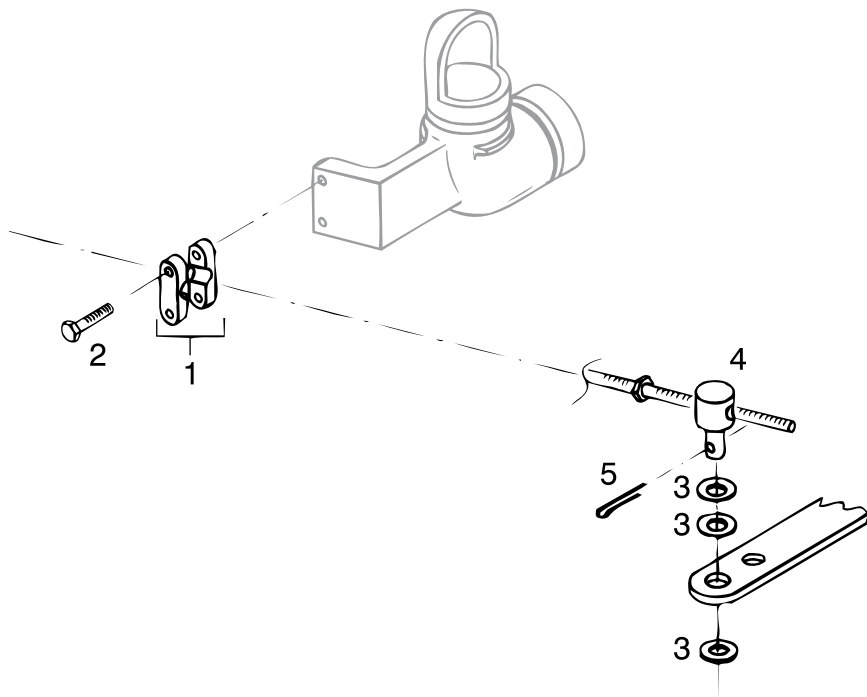
| M2.13 | M2.18 | | | |
|-------|-------|----------|-----------------------------------|--|
| pos. | qty | part | benaming | description |
| 1 | 1 | 08-01394 | Dynamo 12V-75A 1p | Alternator 12V-75A 1p |
| 2 | 1 | STM1055 | Bout M8x120 | Bolt M8x120 |
| 3 | 1 | 08-01388 | Bus l=25 | Bush l=25 |
| 4 | 1 | STM1056 | Veerring M8 | Spring washer M8 |
| 5 | 1 | STM2005 | Moer M8 | Nut M8 |
| 6 | 1 | STM7438 | Spansteun | Tension support |
| 7 | 1 | STM1030 | Bout M6x20 | Bolt M6x20 |
| 8 | 1 | CT40029 | Veerring M6 | Spring washer M6 |
| 9 | 1 | STM3355 | Bout M8x20 | Bolt M8x20 |
| 10 | 1 | STM1056 | Veerring M8 | Spring washer M8 |
| 11 | 1 | STM3749 | Ring M8 | Washer M8 |
| 12 | 1 | STM7439 | V-snaar L=925 mm, 75 A dynamo | V-belt L=925 mm, 75 A dynamo |
| 13 | 1 | 08-01392 | Motorbedrading | Engine wiring loom |
| 14 | 1 | STM9563 | Set 12V - 75 A 1 p dynamo L-serie | Set 12V - 75 A 1 p alternator L-series |
| 15 | 1 | 08-01497 | Bout M6x65 | Bolt M6x65 |
| 16 | 2 | 08-01389 | Ring (ø 6,2 x ø 16 x 5 dik) | Washer D=3d (ø 6,2 x ø 16 x 5 thick) |
| 17 | 1 | 08-01390 | Ring (ø 8,2 x ø 20 x 5 dik) | Washer D=3d (ø 8,2 x ø 20 x 5 thick) |



M2.02 M2.04 M2.06 M2.C5 Zenders + schakelaars
M2.13 M2.18 M2.D5

Sender units + switches

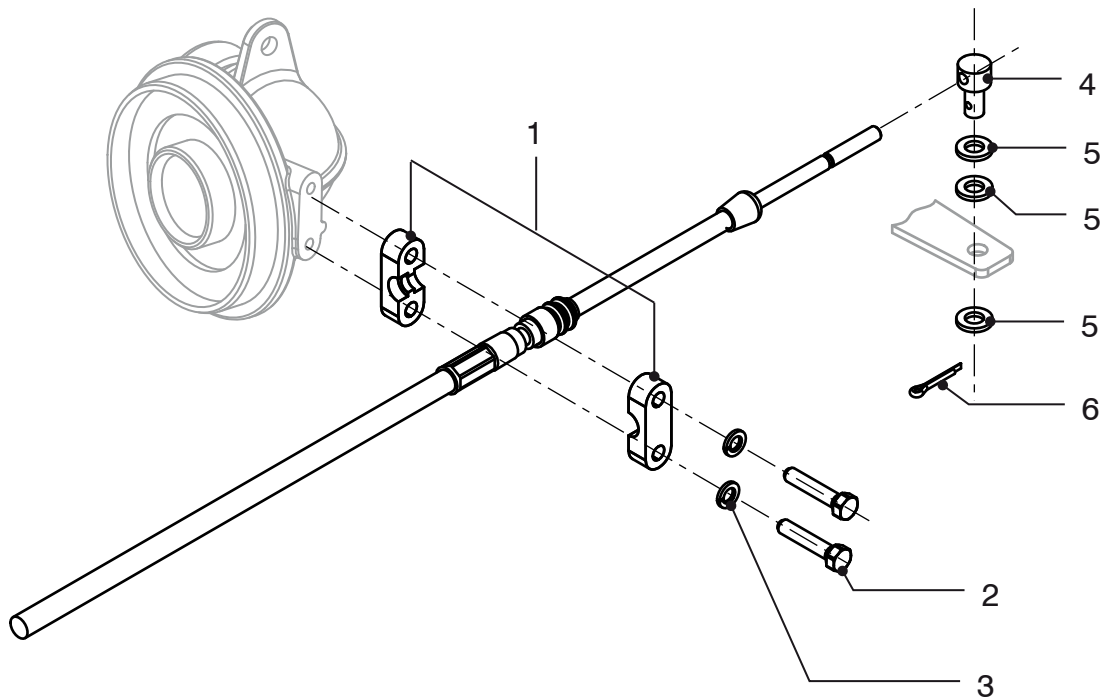
| pos. | qty | part | benaming | description |
|------|-----|---------|--|---|
| 1 | 1 | STM6264 | Stopmagneet | Solenoid |
| 2 | 1 | STM2742 | Moer | Nut |
| 3 | 1 | STM1375 | Rubber kap | Rubber cap |
| 4 | 1 | STM2387 | Rubber kap | Rubber cap |
| 5 | 2 | STM6265 | Gloeï bougie | Glow plug |
| 6 | 1 | STM6266 | Strip | Plate |
| 7 | 1 | STM6267 | Oliedrukschakelaar M10x1k | Oil pressure switch M10x1k |
| 8 | 1 | STM6268 | Temperatuur schakelaar 111°C binnenwater M16x1,5 1p | Thermo switch 111°C coolant M16x1.5 1p |
| 9 | 1 | STM6269 | Afdichtring M16 | Sealing M16 |
| 10 | 1 | STM2006 | Temperatuur schakelaar 75°C buitenwater M18x1,5 1p | Thermo switch 75°C Raw water M18x1.5 1p |
| 11 | 1 | STM2019 | Afdichtring | Sealing |
| 12 | 1 | CT40083 | Oliedruksender OILSR08 M10x1k 12-24V. 0-8bar | Oilpressure sender OILSR08 M10x1k 12-24V. 0-8bar |
| 13 | 1 | STM6341 | Verloop M10x1 -> M10x1k | Adaptor M10x1 -> M10x1k |
| 14 | 1 | STM8326 | Binnenwatertemperatuur zender TEMPSR120 M14x1,5 12-24V. 40-120°C | Coolant temp. sender TEMPSR120 M14x1.5 12-24V. 40-120°C |
| 15 | 1 | STM1062 | Afdichtring M14 | Sealing M14 |
| 16 | 1 | AD14-16 | Verloop | Adaptor |
| 17 | 1 | STM6269 | Afdichtring M16 | Sealing M16 |



M2.02 M2.04 M2.06 M2.C5 M2.D5 Bediening, Gas

Control, Throttle

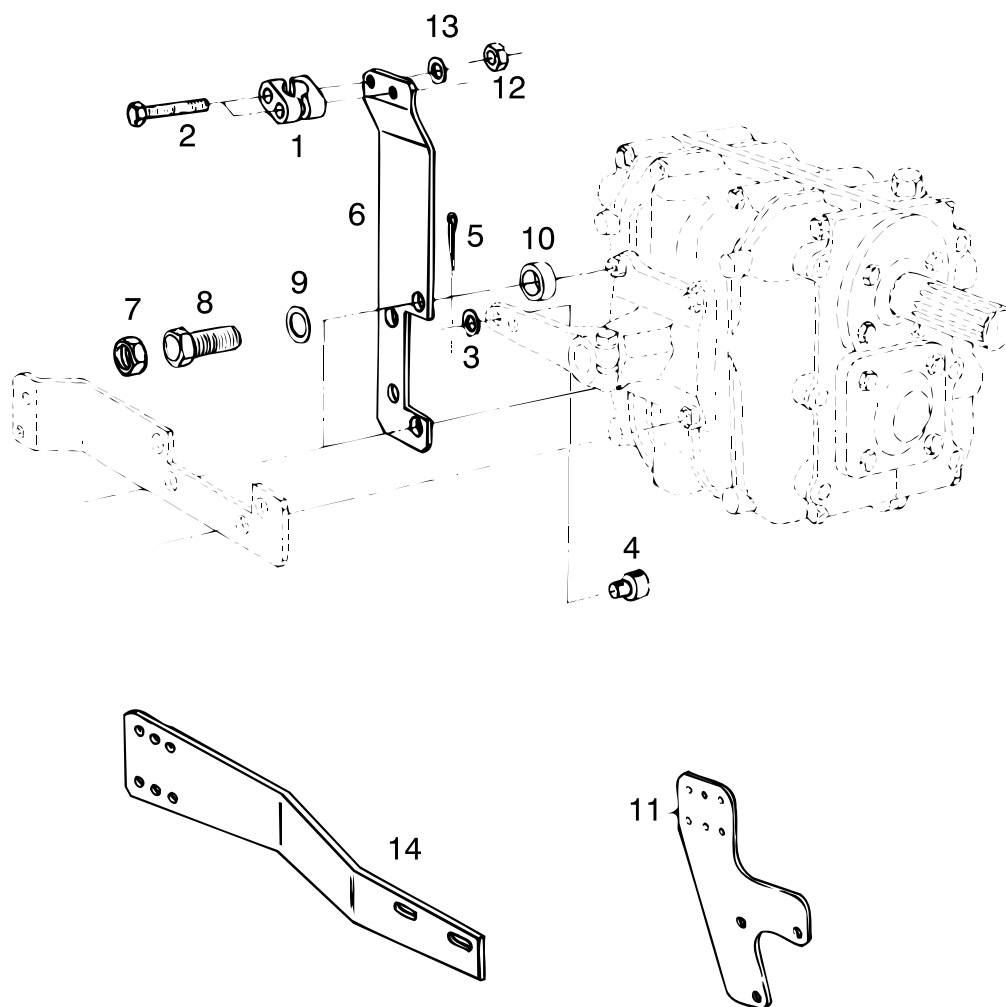
| pos. | qty | part | benaming | description |
|------|-----|---------|---------------|----------------|
| 1 | 1 | STM1703 | Kabelklem | Cable clamp |
| 2 | 2 | STM1704 | Bout M5x25 | Bolt M5x25 |
| 3 | 3 | STM1807 | Ring | Washer |
| 4 | 1 | STM1806 | Nippel | Nipple |
| 5 | 1 | STM1808 | Splitpen 2x25 | Split pin 2x25 |
| | | | | |
| | | | | |
| | | | | |
| | | | | |
| | | | | |
| | | | | |
| | | | | |
| | | | | |
| | | | | |
| | | | | |



Bediening, Gas

Control, Throttle

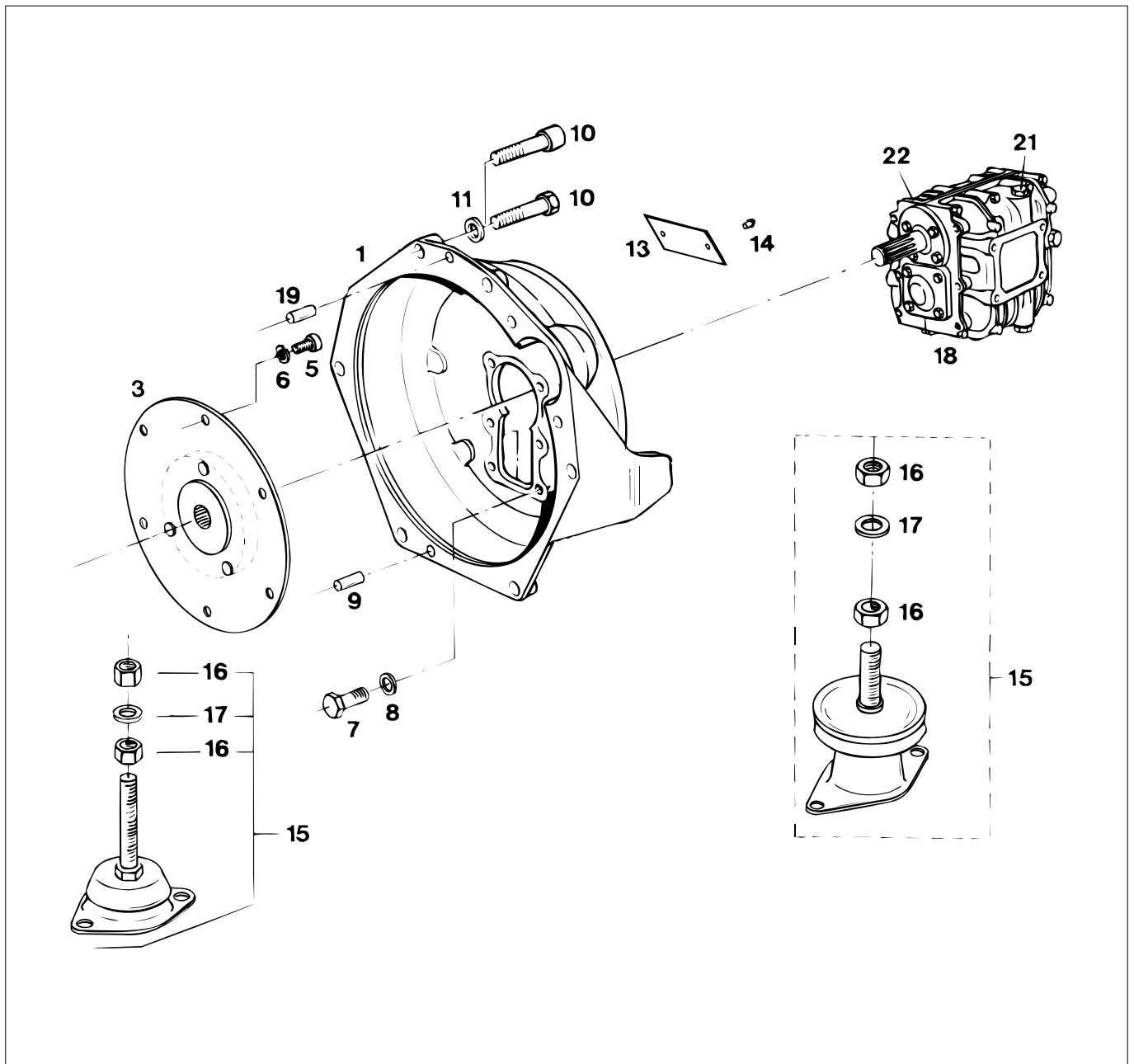
| M2.13 | | M2.18 | | | |
|-------|-----|---------|----------------------|--|-----------------------|
| pos. | qty | part | benaming | | description |
| 1 | 1 | STM1703 | Kabelklem | | Cable clamp |
| 2 | 2 | STM1704 | Bout M5x25 | | Bolt M5x25 |
| 3 | 2 | STM7294 | Gegolfde veerring M5 | | Wave spring washer M5 |
| 4 | 1 | STM1806 | Nippel | | Nipple |
| 5 | 3 | STM1807 | Ring | | Washer |
| 6 | 1 | STM1808 | Splitpen 2x25 | | Split pin 2x25 |



M2.02 M2.04 M2.06 M2.C5
M2.13 M2.18 M2.D5 **Bediening, keerkoppeling**

Controls, gearbox

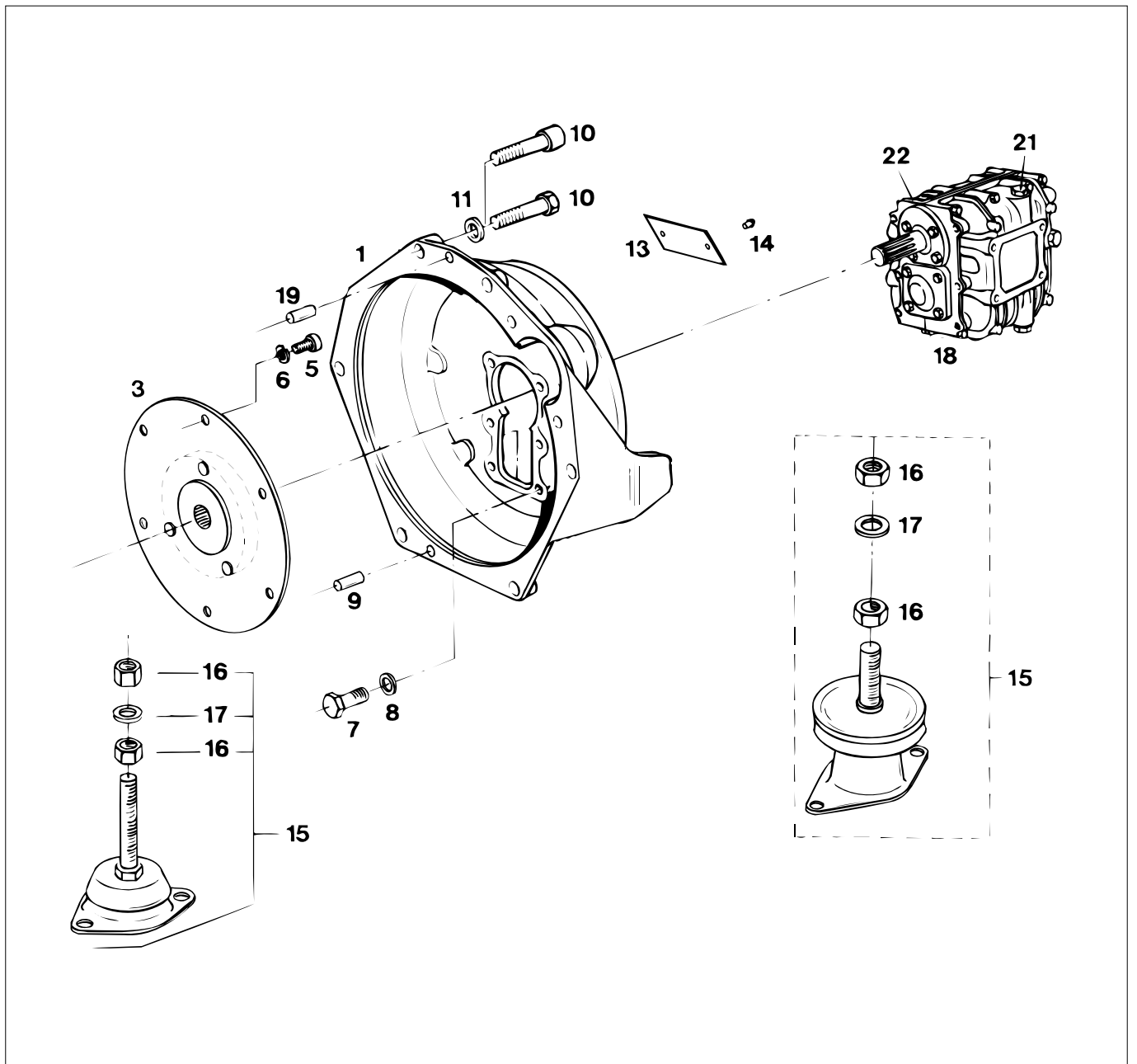
| pos. | qty | part | benaming | description |
|------|-----|---------|---------------|-----------------|
| 1 | 1 | STM1703 | Kabelklem | Cable clamp |
| 2 | 2 | STM1704 | Bout M5x25 | Bolt M5x25 |
| 3 | 1 | STM1807 | Ring | Washer |
| 4 | 1 | STM1806 | Nippel | Nipple |
| 5 | 1 | STM1808 | Splitpen 2x25 | Split pin 2x25 |
| 6 | 1 | STM1851 | Steun Hurth | Support Hurth |
| 7 | 2 | STM2005 | Moer M8 | Nut M8 |
| 8 | 2 | STM1610 | Bout M8x25 | Bolt M8x25 |
| 9 | 2 | STM1019 | Ring | Washer |
| 10 | 2 | STM1852 | Afstandbus | Distance washer |
| 11 | 1 | STM3767 | Steun PRM | Support PRM |
| 12 | 2 | STM1705 | Moer M5 | Nut M5 |
| 13 | 2 | STM1707 | Ring M5 | Washer M5 |
| 14 | 1 | STM6238 | Steun TMC40 | Support TMC40 |



M2.04 M2.06 M2.C5
M2.D5 **Vliegwielhuis Hurth**

Flywheel housing Hurth

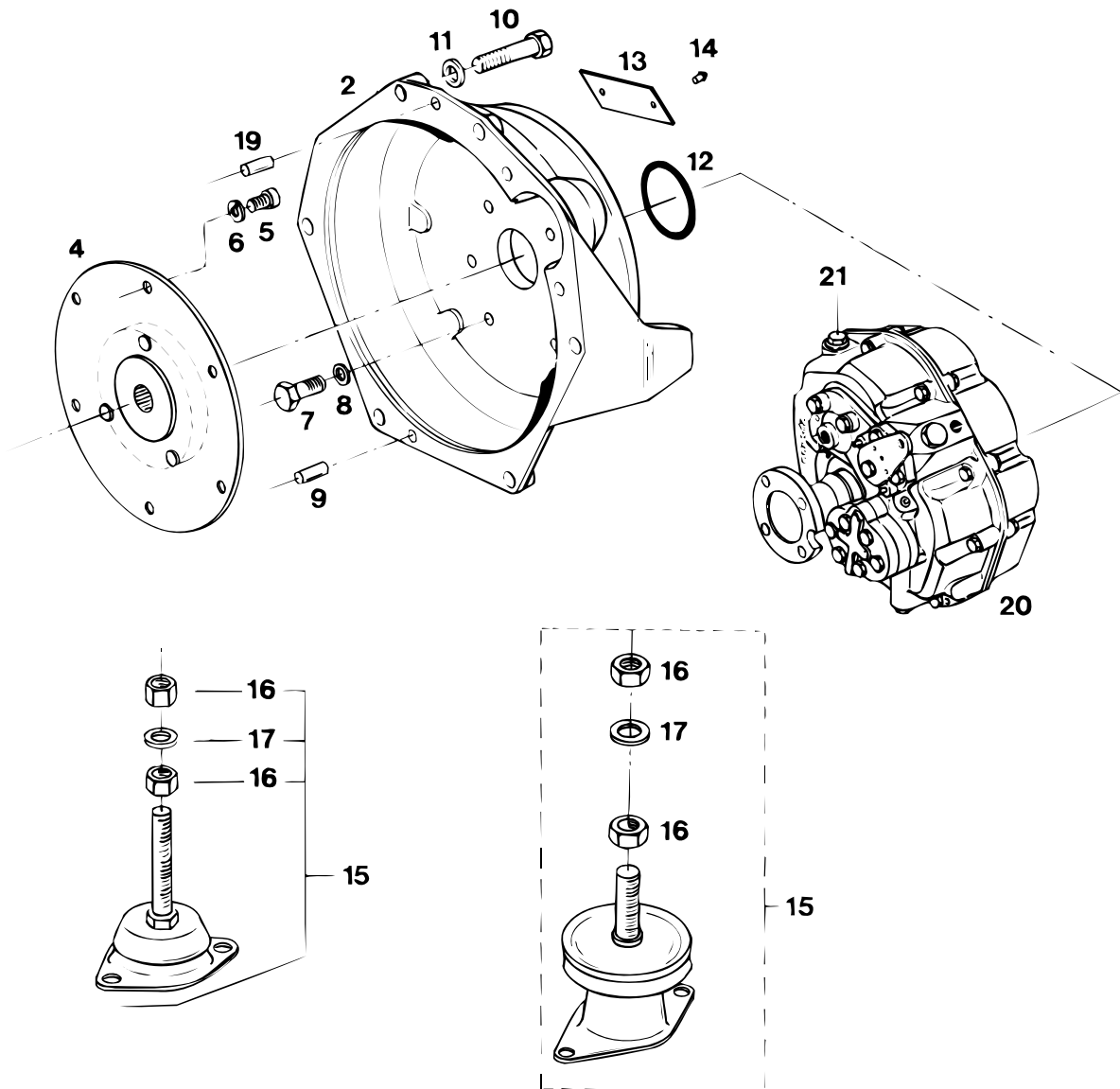
| pos. | qty | part | benaming | description |
|------|-----|----------|--------------------------------------|--|
| 1 | 1 | STM6103 | Vliegwielhuis HBW | Flywheel housing HBW |
| 3 | 1 | STM6106 | Demperplaat DIN5464 Z=10 | Damperplate DIN5464 Z=10 |
| 5 | 6 | STM6111 | Inbusbout M8x16 | Allen screw M8x16 |
| 6 | 6 | STM1056 | Ring | Washer |
| 7 | 6 | STM1610 | Bout M8x25 | Allen screw M8x25 |
| 8 | 6 | STM1019 | Ring | Washer |
| 9 | 1 | STM2507 | Paspen 8x10 DIN6325 | Pin 8x10 DIN6325 |
| 10 | 6 | STM6104 | Bout M12x1,25x70 (<- 03-03) | Bolt M12x1.25x70 (<- 03-03) |
| | 6 | STM6345 | Inbusbout M12x1,25x70 (-> 03-03) | Allen screw M12x1.25x70 (-> 03-03) |
| 11 | 6 | STM4056 | Ring | Washer |
| 13 | 1 | STM1054 | Type plaatje | Model plate |
| 14 | 2 | STM3528 | Kerfnagel 3x5 DIN1476 | Grooved pin 3x5 DIN1476 |
| 15 | 2 | MITSTEUN | Hydrodemper M2.06 | Hydro Mount M2.06 |
| | 2 | STM1073 | Demper M2.C5/M2.D5/M2.04 (KSTEUN25V) | Engine mount M2.C5/M2.D5/M2.04 (KSTEUN25V) |
| 16 | 4 | STM4010 | Moer M16x1,5 | Nut M16x1.5 |
| 17 | 2 | STM4011 | Ring | Washer |



M2.04 M2.06 M2.C5 Vliegwielhuis Hurth
M2.D5

Flywheel housing Hurth

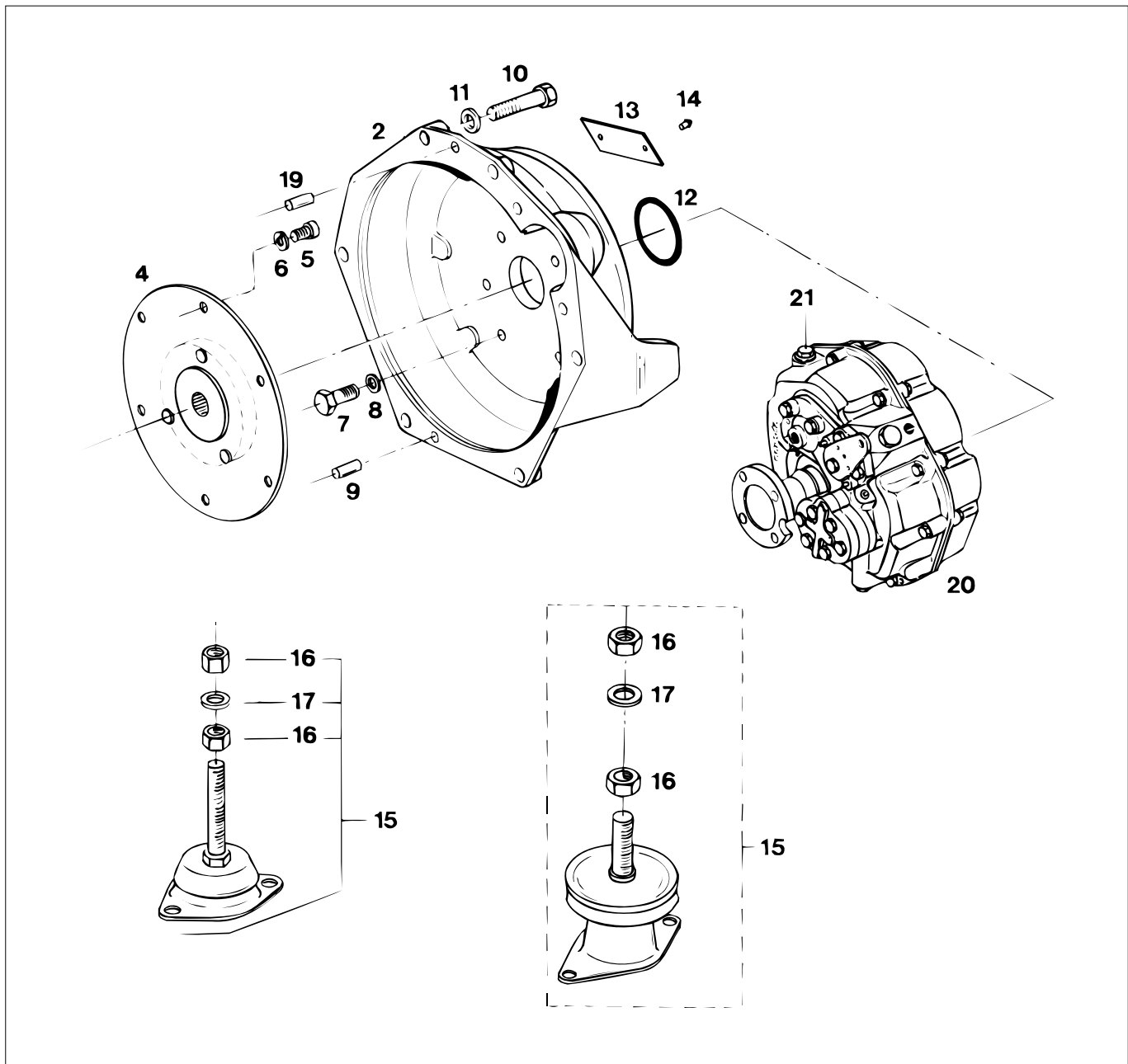
| pos. | qty | part | benaming | description |
|------|-----|---------|----------------------|----------------------|
| 18 | 1 | STM5352 | HBW 35 2R | HBW 35 2R |
| | 1 | STM5353 | HBW 35 3R | HBW 35 3R |
| | 1 | STM5442 | HBW 40 2R | HBW 40 2R |
| | 1 | STM5443 | HBW 40 2,7R | HBW 40 2.7R |
| | 1 | STM5103 | HBW 100 3R | HBW 100 3R |
| | 1 | STM5162 | HBW 150 V2 | HBW 150 V2 |
| | 1 | STM5163 | HBW 150 V3 | HBW 150 V3 |
| | 1 | STM5402 | TMC40 2:1 | TMC40 2:1 |
| | 1 | STM5403 | TMC40 2,6:1 | TMC40 2.6:1 |
| 19 | 1 | STM6279 | Paspren 8x18 DIN6325 | Pin 8x18 DIN6325 |
| 21 | 1 | STM5176 | Peilstok HBW 35-100 | Dipstick HBW 35-100 |
| | 1 | STM5177 | Peilstok HBW 150-125 | Dipstick HBW 150-125 |
| 22 | 1 | STM5171 | Pakkingset HBW100 | Gasketset HBW100 |



M2.04 M2.06 M2.C5 M2.D5 Vliegwielhuis PRM

Flywheel housing PRM

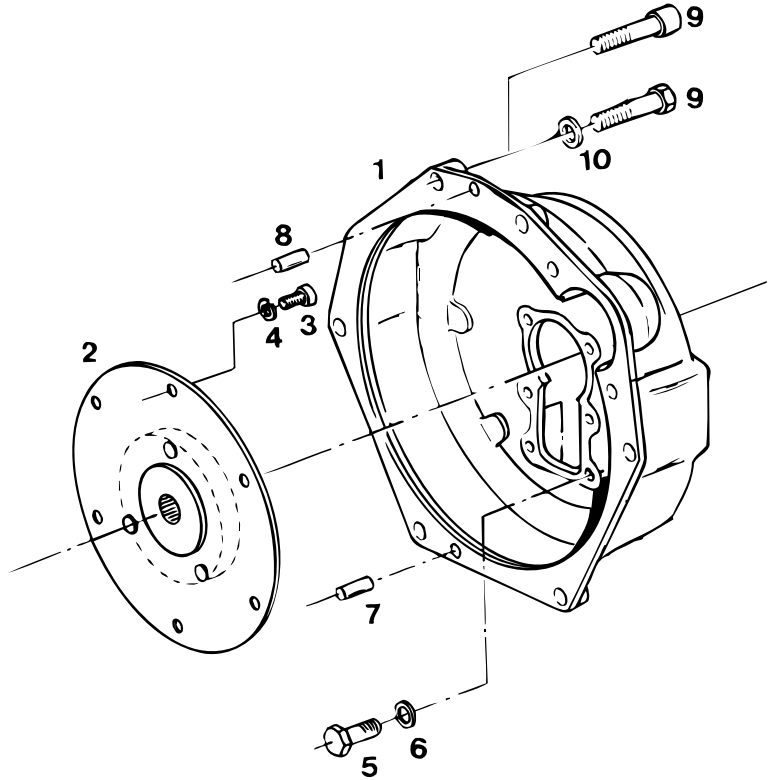
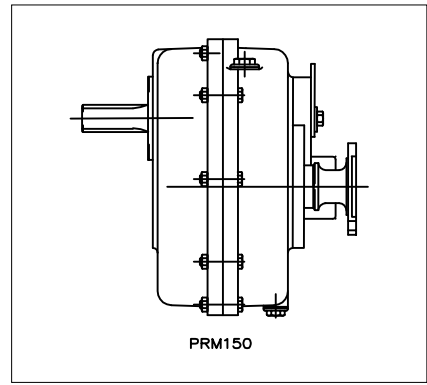
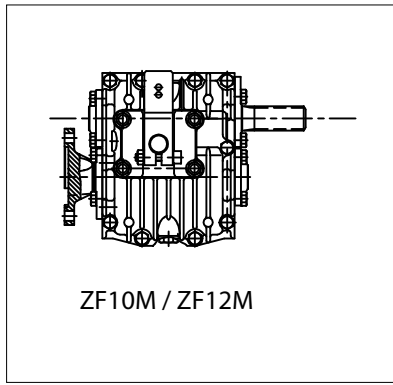
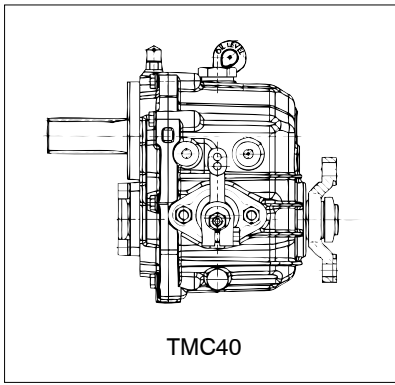
| pos. | qty | part | benaming | description |
|------|-----|----------|--------------------------------------|--|
| 2 | 1 | STM6105 | Vliegwielhuis PRM | Flywheel housing PRM |
| 4 | 1 | STM6107 | Demperplaat SAE Z=17 | Damperplate SAE Z=17 |
| 5 | 6 | STM6111 | Inbusbout M8x16 | Allen screw M8x16 |
| 6 | 6 | STM1056 | Ring | Washer |
| 7 | 6 | STM1610 | Bout M8x25 | Allen screw M8x25 |
| 8 | 6 | STM1019 | Ring | Washer |
| 9 | 1 | STM2507 | Paspn 8x10 DIN6325 | Pin 8x10 DIN6325 |
| 10 | 6 | STM6104 | Bout M12x1,25x70 (<- 03-03) | Bolt M12x1.25x70 (<- 03-03) |
| | 6 | STM6345 | Inbusbout M12x1,25x70 (-> 03-03) | Allen screw M12x1.25x70 (-> 03-03) |
| 11 | 6 | STM4056 | Ring | Washer |
| 12 | 1 | STM6201 | O-ring 65x1,5 | O-ring 65x1.5 |
| 13 | 1 | STM1054 | Type plaatje | Model plate |
| 14 | 2 | STM3528 | Kerfnagel 3x5 DIN1476 | Grooved pin 3x5 DIN1476 |
| 15 | 2 | MITSTEUN | Hydrodemper M2.06 | Hydro Mount M2.06 |
| | 2 | STM1073 | Demper M2.C5/M2.D5/M2.04 (KSTEUN25V) | Engine mount M2.C5/M2.D5/M2.04 (KSTEUN25V) |



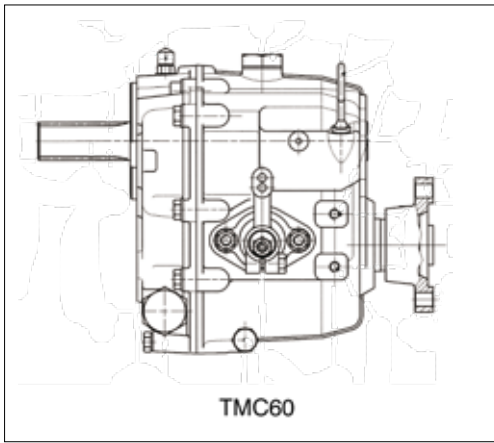
M2.04 M2.06 M2.C5 Vliegwielhuis PRM
M2.D5

Flywheel housing PRM

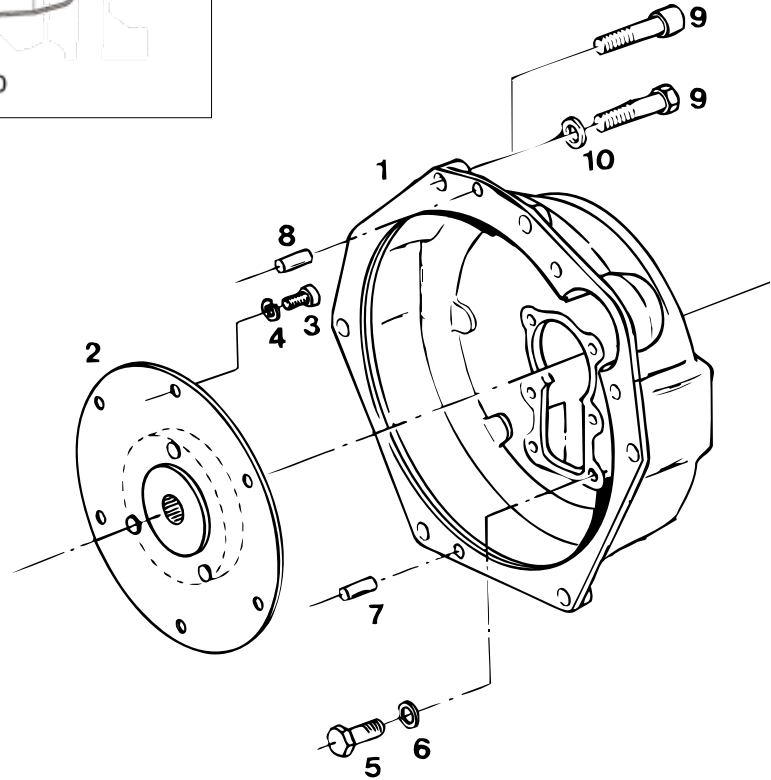
| pos. | qty | part | benaming | description |
|------|-----|---------|--------------------------|--------------------------|
| 16 | 4 | STM4010 | Moer M16x1,5 | Nut M16x1,5 |
| 17 | 2 | STM4011 | Ring | Washer |
| 19 | 1 | STM6279 | Paspen 8x18 DIN6325 | Pin 8x18 DIN6325 |
| 20 | 1 | STM3760 | PRM DELTA 20 | PRM DELTA 20 |
| | 1 | STM3758 | PRM DELTA 30 | PRM DELTA 30 |
| 21 | 1 | STM3773 | Peilstok PRM Delta 20-30 | Dipstick PRM Delta 20-30 |
| | | | | |
| | | | | |
| | | | | |
| | | | | |
| | | | | |



| M2.02 M2.13 | M2.04 | M2.06 M2.18 | M2.C5 M2.D5 | Vliegwielhuis TMC / ZF10M / ZF12M / PRM150D | Flywheel housing TMC / ZF10M ZF12M / PRM150D |
|----------------|-------|----------------|------------------------------------|---|--|
| pos. | qty | part | benaming | description | |
| 1 | 1 | STM6293 | Vliegwielhuis ø88 | Flywheel housing ø88 | |
| | 1 | STM6294 | Vliegwielhuis SAE7 ø209.55 | Flywheel housing SAE7 ø209.55 | |
| 2 | 1 | STM6106 | Demperplaat DIN5464 Z=10 | Damperplate DIN5464 Z=10 | |
| 3 | 6 | STM6111 | Inbusbout M8x16 | Allen screw M8x16 | |
| 4 | 6 | STM1056 | Veerring M8 | Spring washer M8 | |
| 5 | 6 | STM1610 | Bout M8x25 | Allen screw M8x25 | |
| 6 | 6 | STM1019 | Wave spring washer M8 | Wave spring washer M8 | |
| 7 | 1 | STM2507 | Paspen 8x10 DIN6325 | Pin 8x10 DIN6325 | |
| 8 | 1 | STM6279 | Paspen 8x18 DIN6325 | Pin 8x18 DIN6325 | |
| 9 | 6 | STM6104 | Bout M12x1,25x70 (03-03 <-) | Bolt M12x1.25x70 (03-03 <-) | |
| | 6 | STM6345 | Inbusbout M12x1,25x70 (-> 03-03) | Allen screw M12x1,25x70 (-> 03-03) | |
| 10 | 6 | STM4056 | Gegolfde veerring M12 (04-2016 <-) | Wave spring washer M12 (04-2016 <-) | |
| | - | STM4056 | Gegolfde veerring M12 (-> 04-2016) | Wave spring washer M12 (-> 04-2016) | |



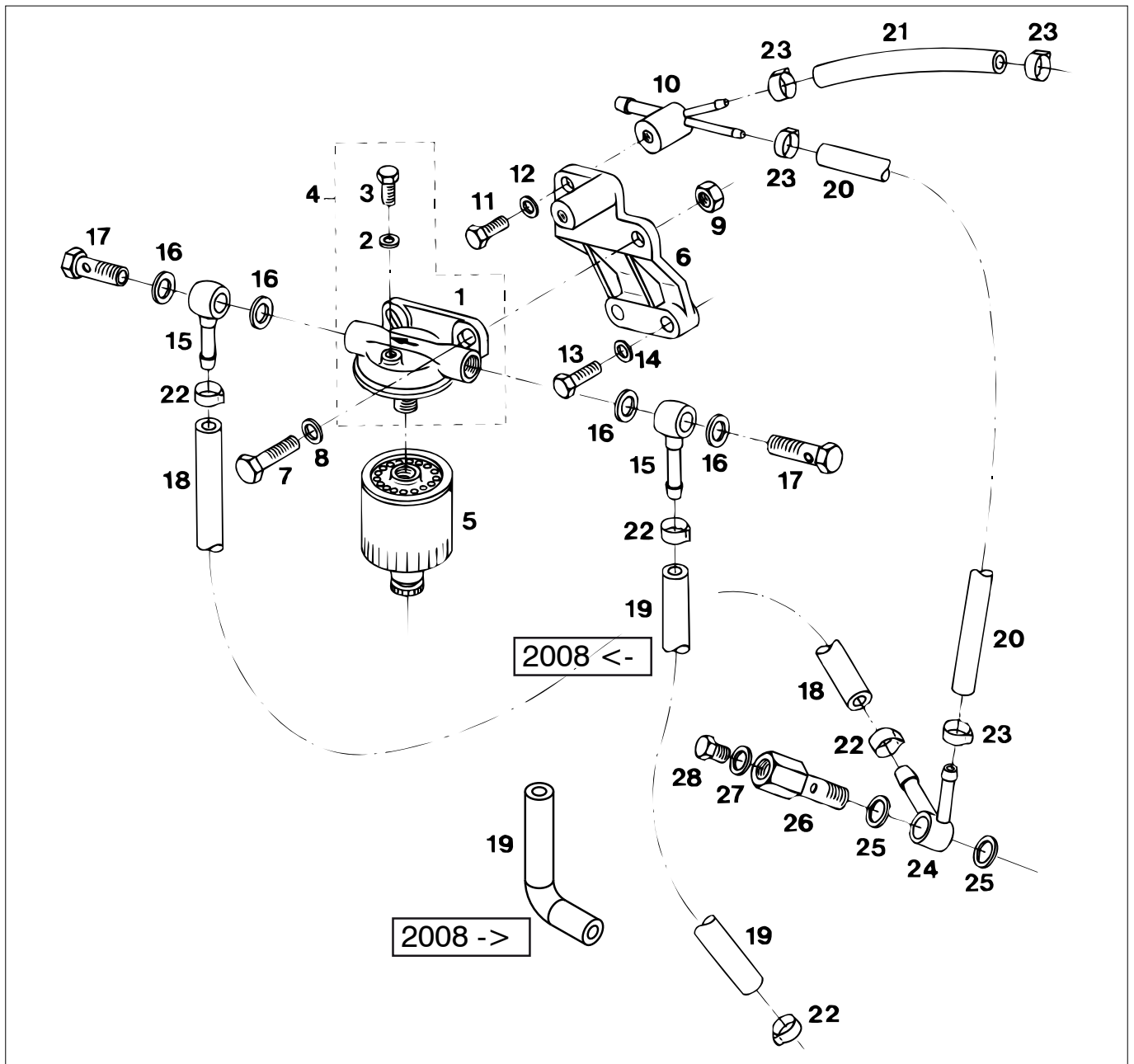
TMC60



M2.02 M2.04 M2.06 M2.C5 Vliegwielhuis TMC60 (A)
M2.13 M2.18 M2.D5

Flywheel housing TMC60 (A)

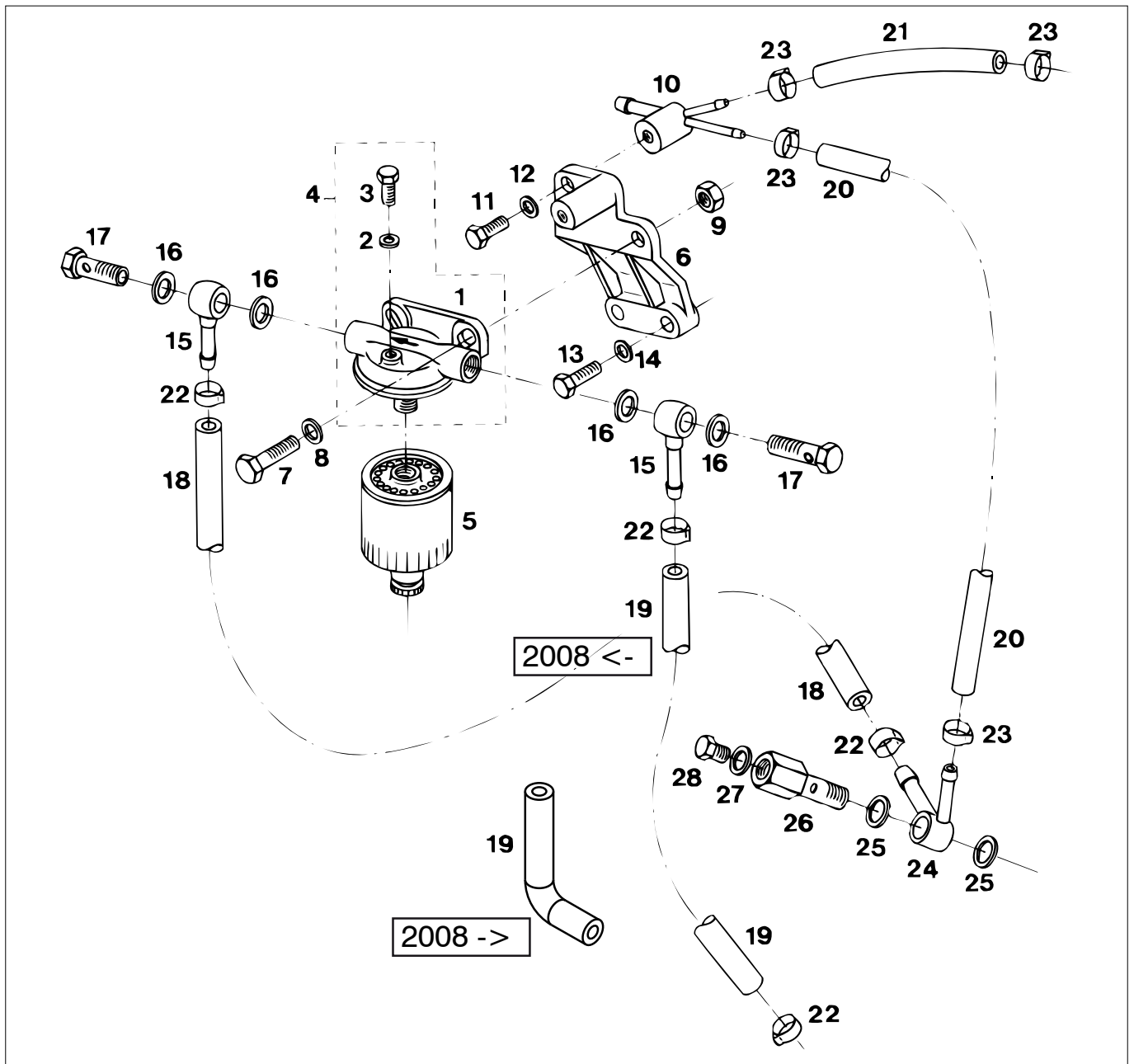
| pos. | qty | part | benaming | description |
|------|-----|---------|------------------------------------|-------------------------------------|
| 1 | 1 | STM6293 | Vliegwielhuis ø88 | Flywheel housing ø88 |
| | 1 | STM6294 | Vliegwielhuis SAE7 ø209.55 | Flywheel housing SAE7 ø209.55 |
| 2 | 1 | STM6106 | Demperplaat DIN5464 Z=10 | Damperplate DIN5464 Z=10 |
| 3 | 6 | STM6111 | Inbusbout M8x16 | Allen screw M8x16 |
| 4 | 6 | STM1056 | Veerring M8 | Spring washer M8 |
| 5 | 6 | STM7059 | Bout M8x1,25x30 TMC60 | Bolt M8x1.25x30 TMC60 |
| | 6 | STM1610 | Bout M8x1,25x25 TMC60M | Bolt M8x1.25x25 TMC60M |
| | 6 | STM7059 | Bout M8x1,25x30 TMC60E | Bolt M8x1.25x30 TMC60E |
| 6 | 6 | STM1019 | Wave spring washer M8 | Wave spring washer M8 |
| 7 | 1 | STM2507 | Paspen 8x10 DIN6325 | Pin 8x10 DIN6325 |
| 8 | 1 | STM6279 | Paspen 8x18 DIN6325 | Pin 8x18 DIN6325 |
| 9 | 6 | STM6104 | Bout M12x1,25x70 (03-03 <-) | Bolt M12x1.25x70 (03-03 <-) |
| | 6 | STM6345 | Inbusbout M12x1,25x70 (-> 03-03) | Allen screw M12x1,25x70 (-> 03-03) |
| 10 | 6 | STM4056 | Gegolfde veerring M12 (04-2016 <-) | Wave spring washer M12 (04-2016 <-) |
| | - | STM4056 | Gegolfde veerring M12 (-> 04-2016) | Wave spring washer M12 (-> 04-2016) |



M2.02 M2.04 M2.06 M2.C5 **Brandstofffilter 2014 <-**
M2.D5

Fuel filter 2014 <-

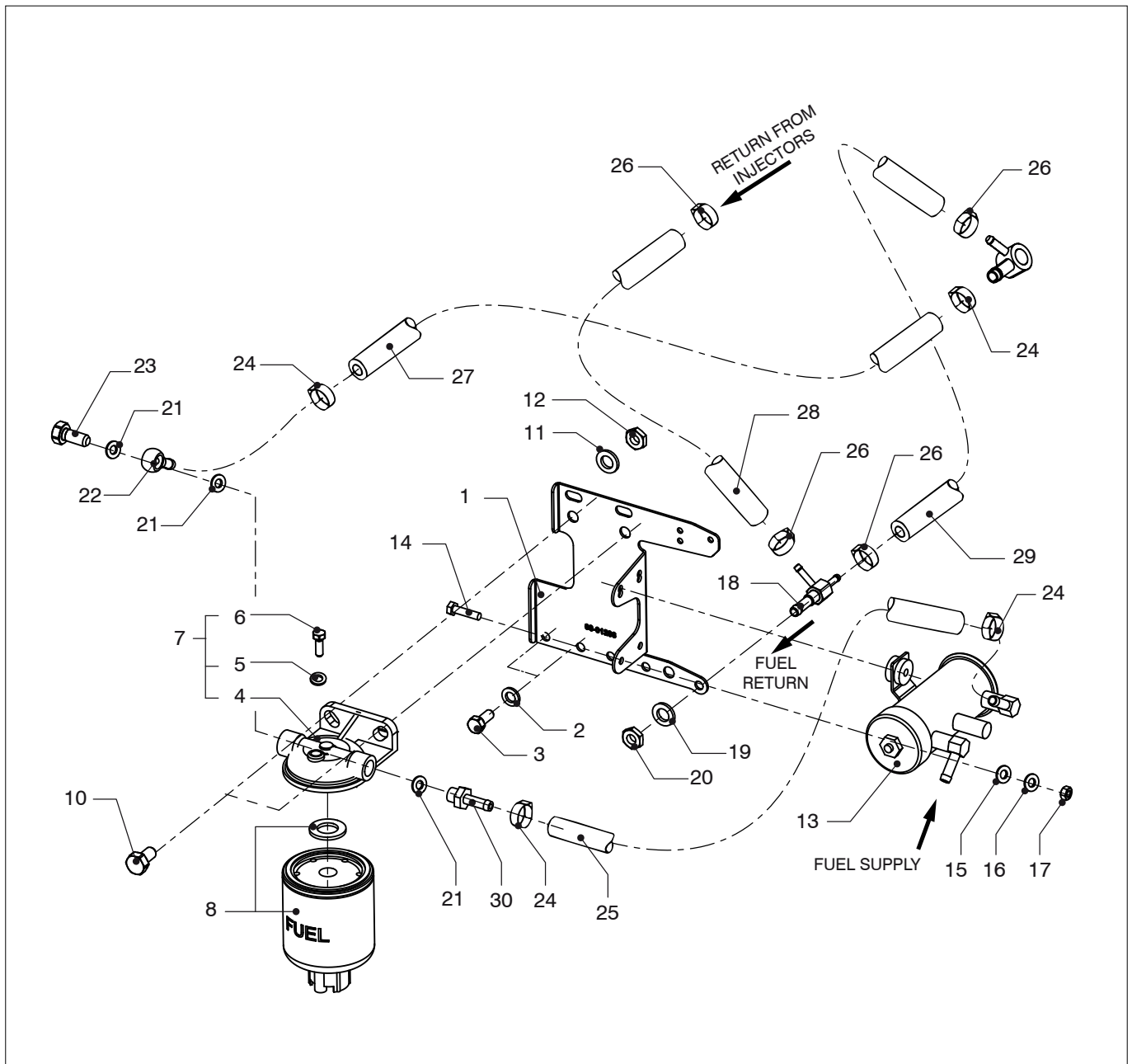
| pos. | qty | part | benaming | description |
|------|-----|---------|------------------------|----------------------------|
| 1 | 1 | STM6050 | Filterkop | Filter head |
| 2 | 1 | STM3797 | Ring | Washer |
| 3 | 1 | STM3696 | Bout M8x10 | Bolt M8x10 |
| 4 | 1 | STM6049 | Filterkop compl. 1+2+3 | Filter head complete 1+2+3 |
| 5 | 1 | STM3690 | Brandstofffilter | Fuelfilter |
| 6 | 1 | STM6115 | Steun | Support |
| 7 | 2 | STM4013 | Bout M10x30 | Bolt M10x30 |
| 8 | 2 | STM4061 | Ring | Washer |
| 9 | 2 | STM4018 | Moer M10 | Bolt M10 |
| 10 | 1 | STM6180 | Nippel | Nipple |
| 11 | 1 | STM1030 | Bout M6x20 | Bolt M6x20 |
| 12 | 1 | STM1025 | Ring | Washer |
| 13 | 2 | STM7059 | Bout M8x30 | Bolt M8x30 |
| 14 | 2 | STM1019 | Ring | Washer |
| 15 | 2 | STM9262 | Banjo oog | Banjo eye |
| 16 | 4 | STM7056 | Ring | Washer |



M2.02 M2.04 M2.06 M2.C5 **Brandstoffilter 2014 <-**
M2.D5

Fuel filter 2014 <-

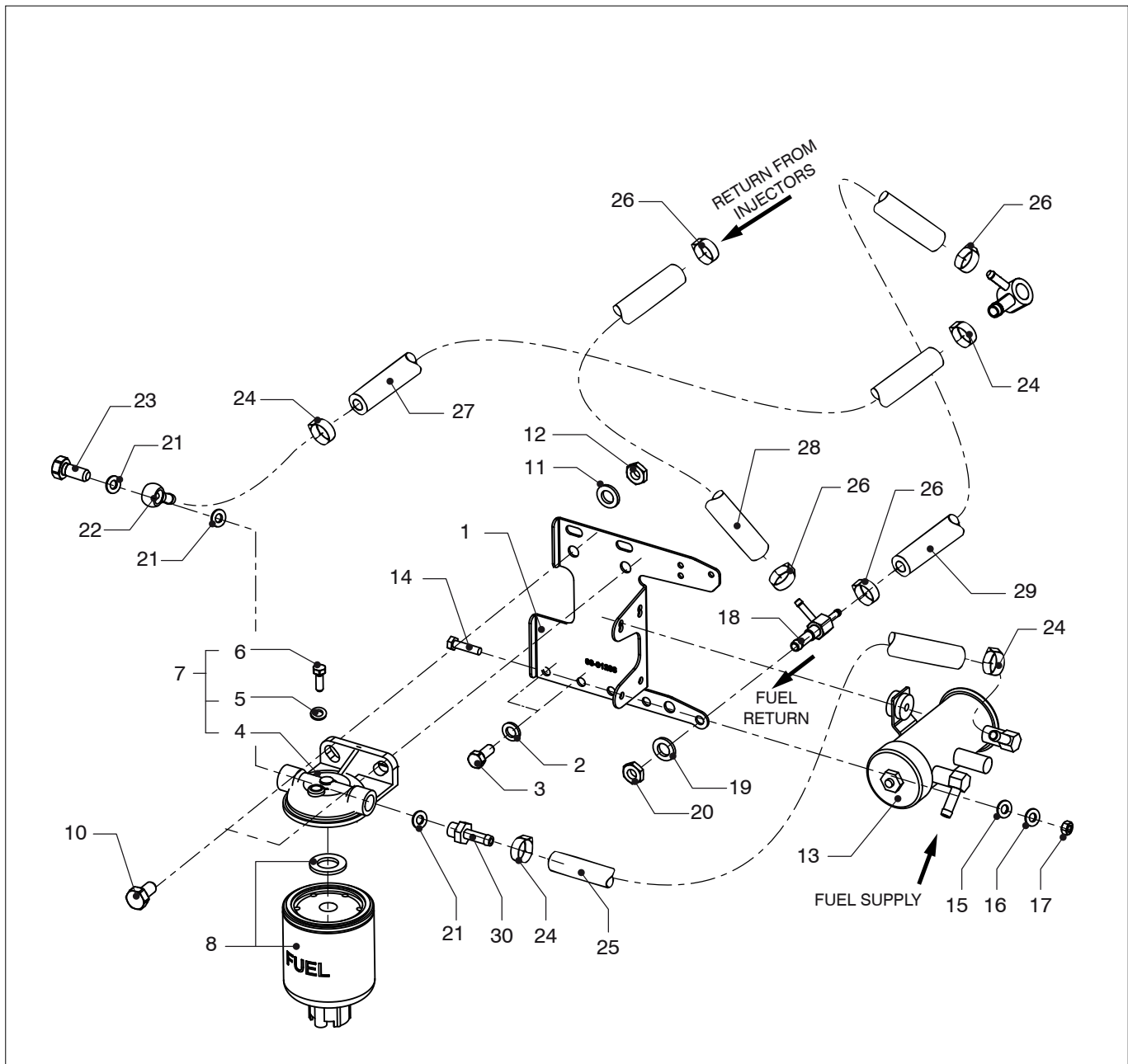
| pos. | qty | part | benaming | description |
|------|-----|---------|--|----------------------------------|
| 17 | 2 | STM8057 | Banjo bout M12x1 | Banjo bolt M12x1 |
| 18 | 1 | STM6189 | Brandstofslang ø8 L=0,28 mtr | Fuel hose ø8 L=0.28 mtr |
| 19 | 1 | STM6190 | Brandstofslang ø8 L=0,20 mtr , 2008 <- | Fuel hose ø8 L=0.20 mtr, 2008 <- |
| | 1 | STM9468 | Brandstofslang ø8, 2008 -> | Fuel hose ø8, 2008 -> |
| 20 | 1 | STM6191 | Brandstofslang ø5 L=0,21 mtr | Fuel hose ø5 L=0.21 mtr |
| 21 | 1 | STM6192 | Brandstofslang ø5 L=0,08 mtr | Fuel hose ø5 L=0.08 mtr |
| 22 | 4 | STM6185 | Klem | Clamp |
| 23 | 4 | STM6186 | Klem | Clamp |
| 24 | 1 | STM6256 | Banjo oog ø8 | Banjo eye ø8 |
| 25 | 2 | STM6255 | Ring | Washer |
| 26 | 1 | STM6257 | Banjo bout | Banjo bolt |
| 27 | 1 | STM6258 | Ring | Washer |
| 28 | 1 | STM6259 | Bout | Bolt |



Brandstoffilter, standaard 2014 ->

Fuel filter, standard 2014 ->

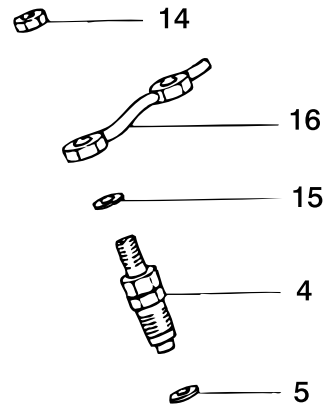
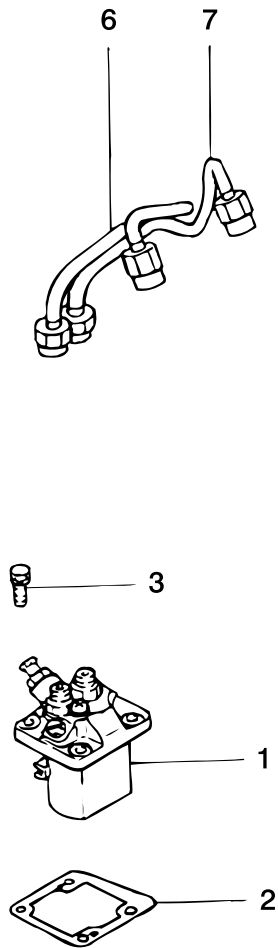
| M2.13 | M2.18 | | | |
|-------|-------|----------|---------------------------------|-------------------------|
| pos. | qty | part | benaming | description |
| 1 | 1 | 08-01286 | Steun | Support |
| 2 | 2 | STM1056 | Veerring M8 | Spring washer M8 |
| 3 | 2 | STM4055 | Bout M8x16 | Bolt M8x16 |
| 4 | 1 | STM6050 | Filterkop | Filter head |
| 5 | 1 | STM3779 | Afdichtring | Seal washer |
| 6 | 1 | STM3796 | Bout M8x1,25x10 | Bolt M8x1,25x10 |
| 7 | 1 | STM6049 | Filterkop compleet 4+5+6 | Filter heat cpl. 4+5+6 |
| 8 | 1 | STM3690 | Brandstof filter | Fuel filter |
| 10 | 2 | STM4016 | Bout M10x1,5x20 | Bolt M10x1,5x20 |
| 11 | 2 | STM4061 | Gegolfde veerring M10 | Wave spring washer M10 |
| 12 | 2 | STM4018 | Moer M10 | Nut M10 |
| 13 | 1 | 08-01297 | Electrische brandstofopvoerpomp | Electric fuel lift pump |
| 14 | 2 | STM8372 | Bout M6x25 | Bolt M6x25 |
| 15 | 2 | STM8726 | Sluitring M6 | Plain washer M6 |
| 16 | 2 | STM1025 | Gegolfde veerring M6 | Wave spring washer M6 |
| 17 | 2 | STM8569 | Moer M6 | Nut M6 |



Brandstoffilter, standaard 2014 ->

Fuel filter, standard 2014 ->

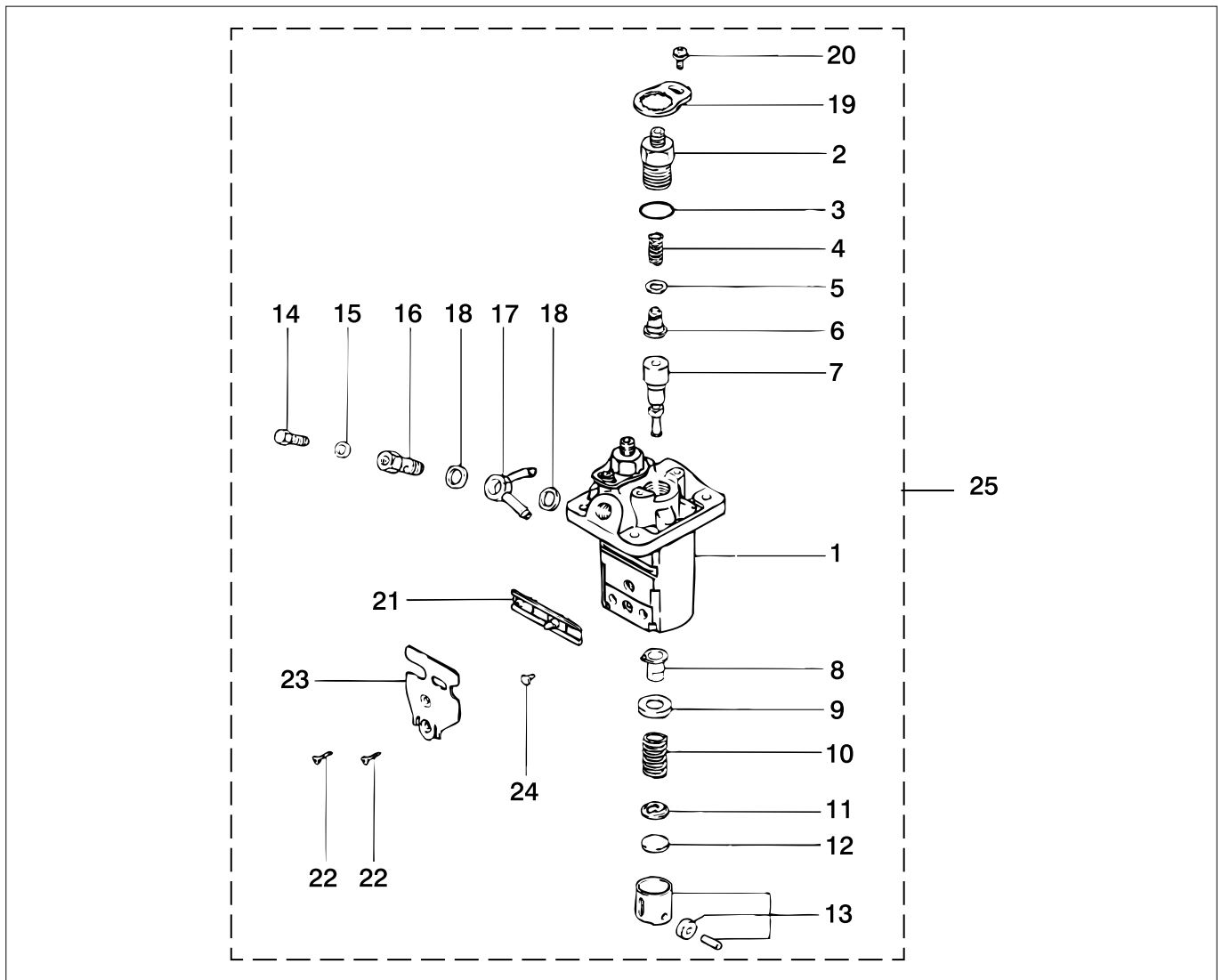
| M2.13 | M2.18 | | | |
|-------|-------|----------|------------------------------|-------------------------|
| pos. | qty | part | benaming | description |
| 18 | 1 | 08-01302 | Brandstof retour nippel Ø8mm | Fuel return nipple Ø8mm |
| 19 | 1 | STM2022 | Gegolfde veerring M10 | Wave spring washer M10 |
| 20 | 1 | 08-01289 | Lage moer M10x1 | Thin nut M10x1 |
| 21 | 3 | STM7056 | Afdichtring M12 | Seal washer M12 |
| 22 | 1 | STM9262 | Banjo-oog | Banjo eye |
| 23 | 1 | STM8057 | Banjo bout M12x1 | Banjo bolt M12x1 |
| 24 | 4 | STM6185 | Klem | Clamp |
| 25 | 1 | 08-01377 | Slang ø8 L=145 mm | Hose ø8 L=145 mm |
| 26 | 4 | STM6186 | Klem | Clamp |
| 27 | 1 | 08-01378 | Slang ø8 L=400 mm | Hose ø8 L=400 mm |
| 28 | 1 | 08-01379 | Slang ø5 L=170 mm | Hose ø8 L=170 mm |
| 29 | 1 | 08-01380 | Slang ø5 L=330 mm | Hose ø8 L=330 mm |
| 30 | 1 | STM4591 | Slangpilaar M12x1-ø8 | Hose pillar M12x1-ø8 |



M2.02 M2.04 M2.06 M2.C5 Brandstofsysteem
M2.13 M2.18 M2.D5

Fuel system

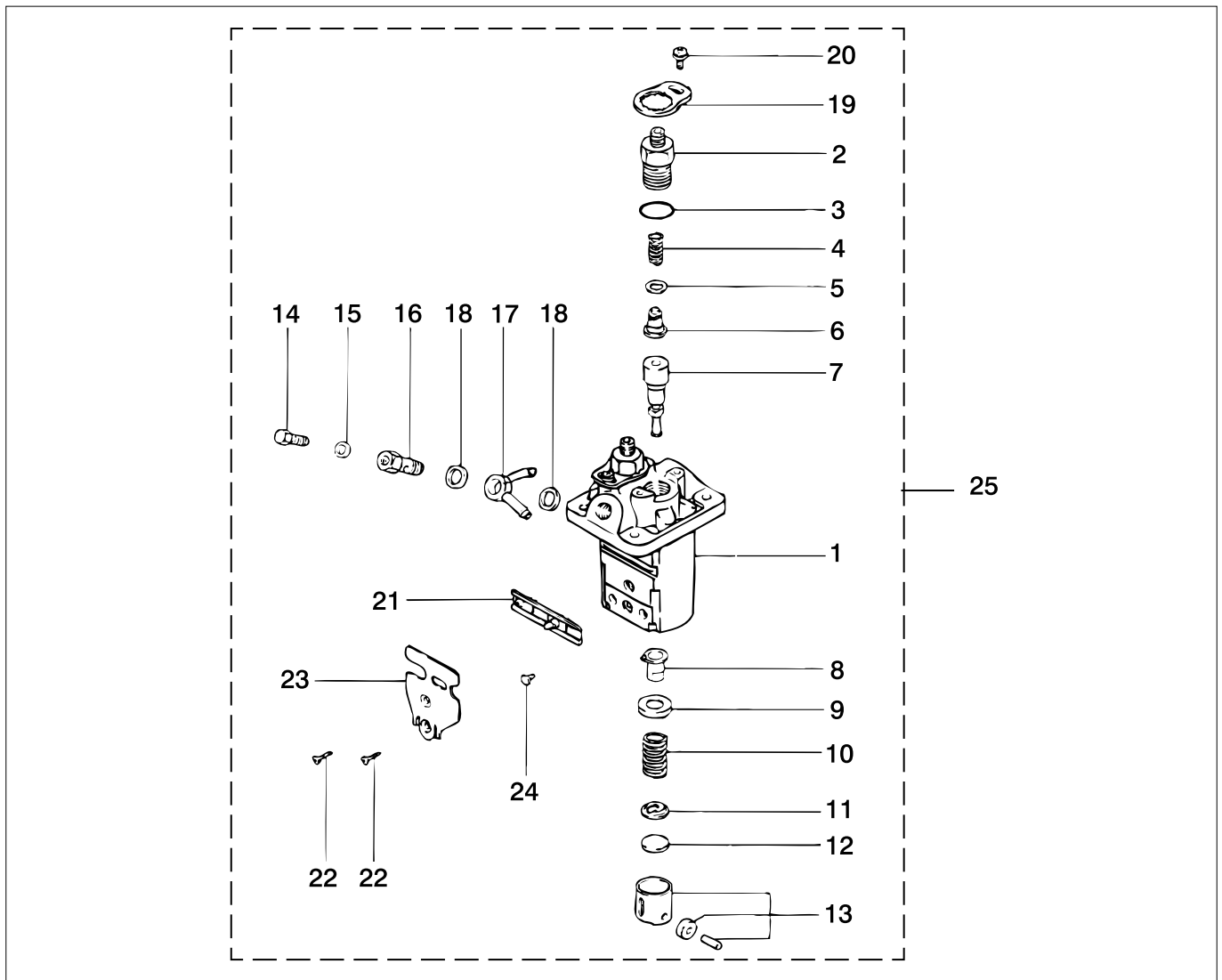
| pos. | qty | part | benaming | description |
|------|-----|---------|------------------------|-----------------------------|
| 1 | 1 | STM1426 | Pomp M2.06/M2.13/M2.18 | Pump assy M2.06/M2.13/M2.18 |
| | 1 | STM1427 | Pomp M2.04 | Pump assy M2.04 |
| | 1 | STM1098 | Pomp M2.C5/M2.D5 | Pump assy M2.C5/M2.D5 |
| 2 | 1 | STM1288 | Shim 0,2 | Shim 0.2 |
| | 1 | STM1289 | Shim 0,3 | Shim 0.3 |
| | 1 | STM1290 | Shim 0,4 | Shim 0.4 |
| | 1 | STM1291 | Shim 0,5 | Shim 0.5 |
| | 1 | STM1292 | Shim 0,6 | Shim 0.6 |
| | 1 | STM1293 | Shim 0,7 | Shim 0.7 |
| | 1 | STM1294 | Shim 0,8 | Shim 0.8 |
| | 1 | STM1295 | Shim 0,9 | Shim 0.9 |
| | 1 | STM1296 | Shim 1,0 | Shim 1.0 |
| 3 | 4 | STM1297 | Bout | Bolt |
| 4 | 2 | STM1298 | Verstuiver & houder | Nozzle & holder |
| 5 | 2 | STM1299 | Pakking | Gasket |
| 6 | 1 | STM1300 | Brandstofleiding | Fuel pipe |
| 7 | 1 | STM1301 | Brandstofleiding | Fuel pipe |
| 14 | 2 | STM1302 | Moer | Nut |
| 15 | 2 | STM1303 | Pakking | Gasket |
| 16 | 1 | STM1304 | Retourleiding | Return pipe |



M2.02 M2.04 M2.06 M2.C5 Brandstofpomp
M2.13 M2.18 M2.D5

Fuel pump

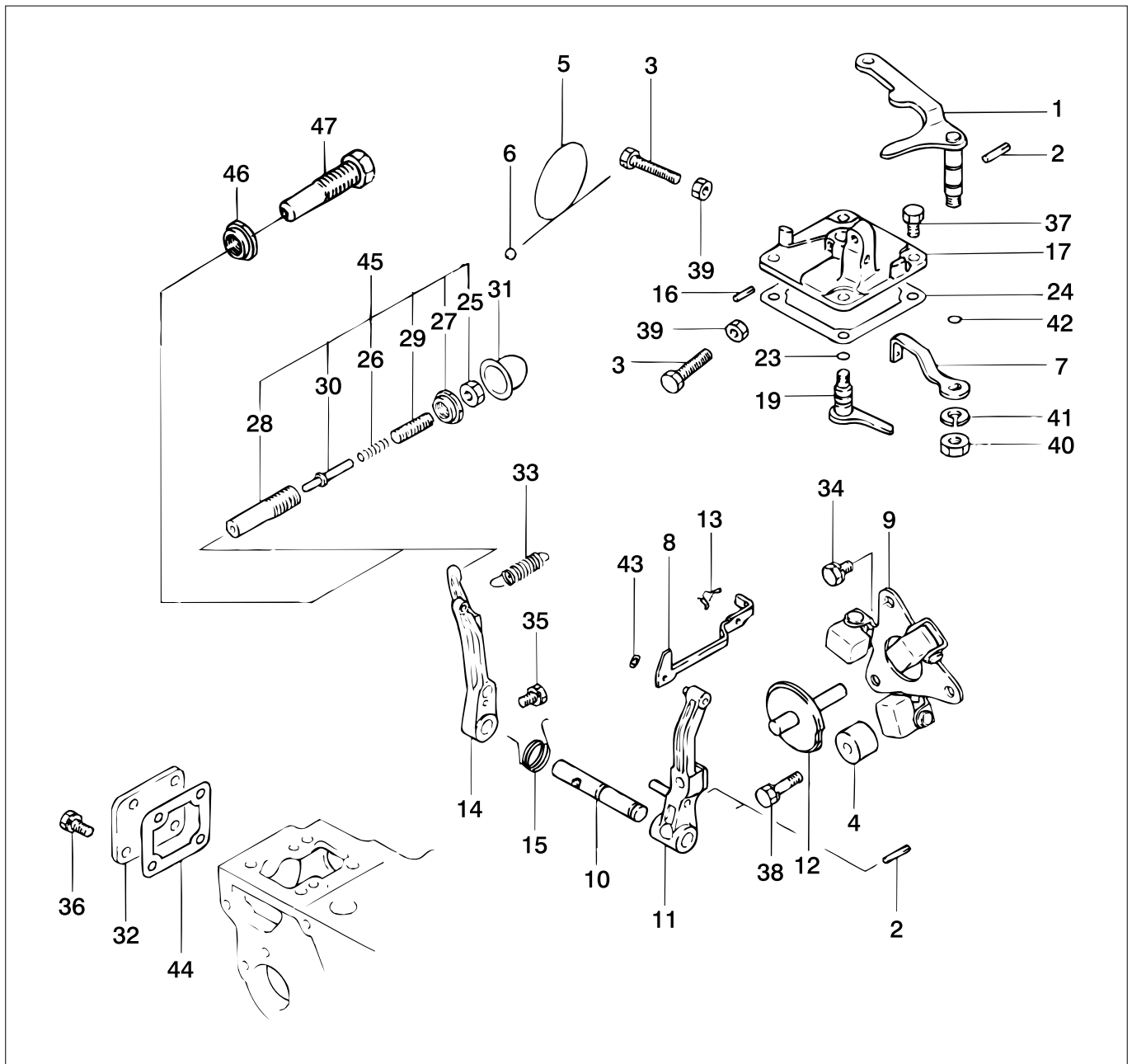
| pos. | qty | part | benaming | description |
|------|-----|---------|---------------------------------|------------------------------------|
| 1 | 1 | STM1305 | Huis | House sub assy |
| 2 | 2 | STM1306 | Houder | Holder |
| 3 | 2 | STM1307 | O-ring | O-ring |
| 4 | 2 | STM1308 | Veer | Spring |
| 5 | 2 | STM1309 | Afdichting | Gasket |
| 6 | 2 | STM1310 | Klep onder | Valve sub assy |
| 7 | 2 | STM1428 | Element onder M2.06/M2.13/M2.18 | Element sub assy M2.06/M2.13/M2.18 |
| | 2 | STM1429 | Element onder M2.04 | Element sub assy M2.04 |
| | 2 | STM1099 | Element onder M2.C5/M2.D5 | Element sub assy M2.C5/M2.D5 |
| 8 | 2 | STM1312 | Bus | Sleeve |
| 9 | 2 | STM1313 | Zitting | Seat |
| 10 | 2 | STM1314 | Veer | Spring |
| 11 | 2 | STM1315 | Veer | Spring |
| 12 | 1 | STM1316 | Shim 1,85 | Shim 1.85 |
| | 1 | STM1317 | Shim 1,9 | Shim 1.9 |
| | 1 | STM1318 | Shim 1,95 | Shim 1.95 |
| | 1 | STM1319 | Shim 2,0 | Shim 2.0 |
| | 1 | STM1320 | Shim 2,05 | Shim 2.05 |
| | 1 | STM1321 | Shim 2,1 | Shim 2.1 |
| | 1 | STM1322 | Shim 2,15 | Shim 2.15 |
| | 1 | STM1323 | Shim 2,2 | Shim 2.2 |



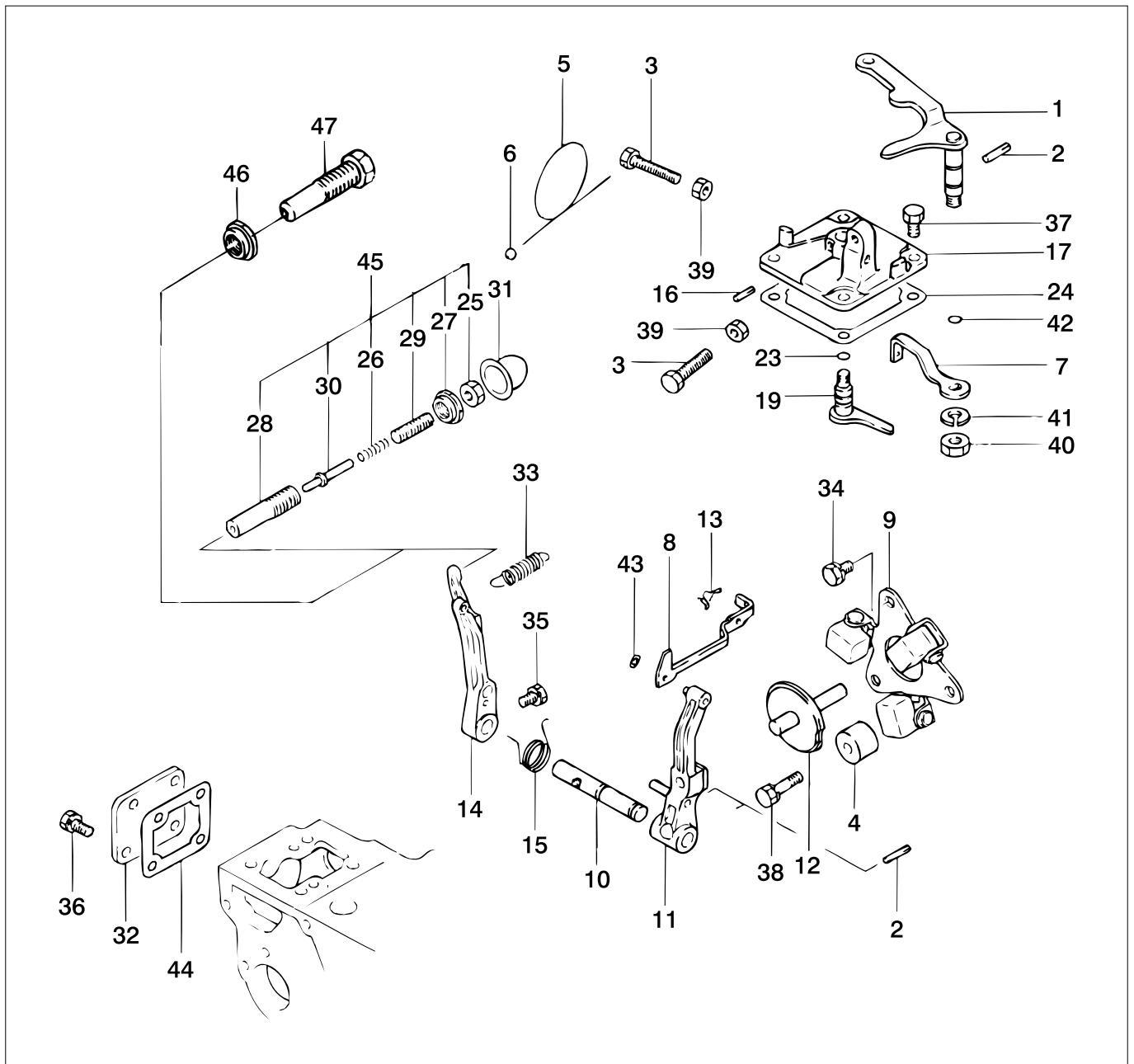
M2.02 M2.04 M2.06 M2.C5 **Brandstofpomp**
M2.13 M2.18 M2.D5

Fuel pump

| pos. | qty | part | benaming | description |
|------|-----|---------|---------------------------------|--------------------------------------|
| | 1 | STM1324 | Shim 2,25 | Shim 2.25 |
| | 1 | STM1325 | Shim 2,3 | Shim 2.3 |
| | 1 | STM1326 | Shim 2,35 | Shim 2.35 |
| | 1 | STM1327 | Shim 2,4 | Shim 2.4 |
| | 1 | STM1328 | Shim 2,45 | Shim 2.45 |
| | 1 | STM1329 | Shim 2,5 | Shim 2.5 |
| 13 | 2 | STM1330 | Klepstoter | Tappet assy |
| 14 | 1 | STM6259 | Bout | Screw |
| 15 | 1 | STM6258 | Ring | Washer |
| 16 | 1 | STM6257 | Banjo bout | Banjo bolt |
| 17 | 1 | STM6256 | Banjo oog ø8 | Banjo eye ø8 |
| 18 | 2 | STM6255 | Ring | Washer |
| 19 | 2 | STM1331 | Borg plaat | Lock plate |
| 20 | 2 | STM1332 | Schroef | Screw |
| 21 | 1 | STM1333 | Heugel | Rack assy |
| 22 | 2 | STM1334 | Schroef | Screw |
| 23 | 1 | STM1335 | Beugel | Bracket |
| 24 | 2 | STM1336 | Pen | Pin |
| 25 | 1 | STM1426 | Pomp 1 t/m 24 M2.06/M2.13/M2.18 | Pump assy 1 til 24 M2.06/M2.13/M2.18 |
| | 1 | STM1427 | Pomp 1 t/m 24 M2.04 | Pump assy 1 til 24 M2.04 |
| | 1 | STM1098 | Pomp 1 t/m 24 M2.C5/M2.D5 | Pump assy 1 til 24 M2.C5/M2.D5 |



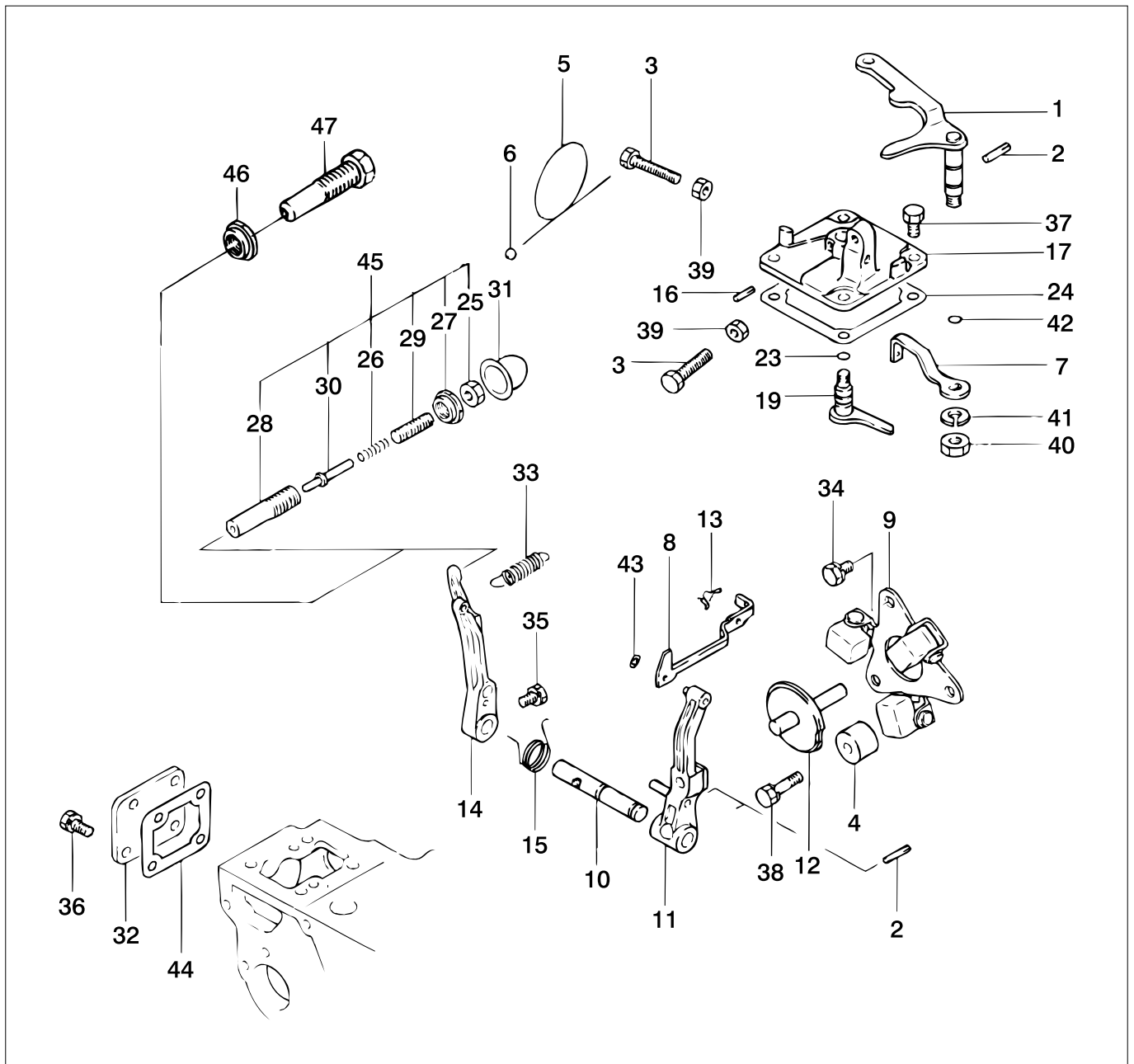
| pos. | qty | part | benaming | Regulator | description |
|------|-----|---------|-----------|------------|---------------|
| 1 | 1 | STM1337 | Hefboom | Regulateur | Lever assy |
| 2 | 3 | STM1338 | Pen | Regulator | Pin |
| 3 | 2 | STM2720 | Bout | Regulator | Bolt |
| 4 | 1 | STM1339 | Stop | Regulator | Stopper |
| 5 | 1 | STM2719 | Draad | Regulator | Wire |
| 6 | 1 | STM1340 | Zegellood | Regulator | Metal sealing |
| 7 | 1 | STM1341 | Hefboom | Regulator | Lever |
| 8 | 1 | STM1342 | Stang | Regulator | Stang |
| 9 | 1 | STM1343 | Verzwaren | Regulator | Weight assy |
| 10 | 1 | STM1344 | As | Regulator | Shaft |
| 11 | 1 | STM1345 | Hefboom | Regulator | Lever |
| 12 | 1 | STM1346 | As | Regulator | Shaft assy |
| 13 | 1 | STM1347 | Clip | Regulator | Clip |
| 14 | 1 | STM1348 | Hefboom | Regulator | Lever |
| 15 | 1 | STM1349 | Veer | Regulator | Spring |
| 16 | 1 | STM1351 | Pen | Regulator | Pin |



M2.02 M2.04 M2.06 M2.C5 Regulateur
M2.13 M2.18 M2.D5

Regulator

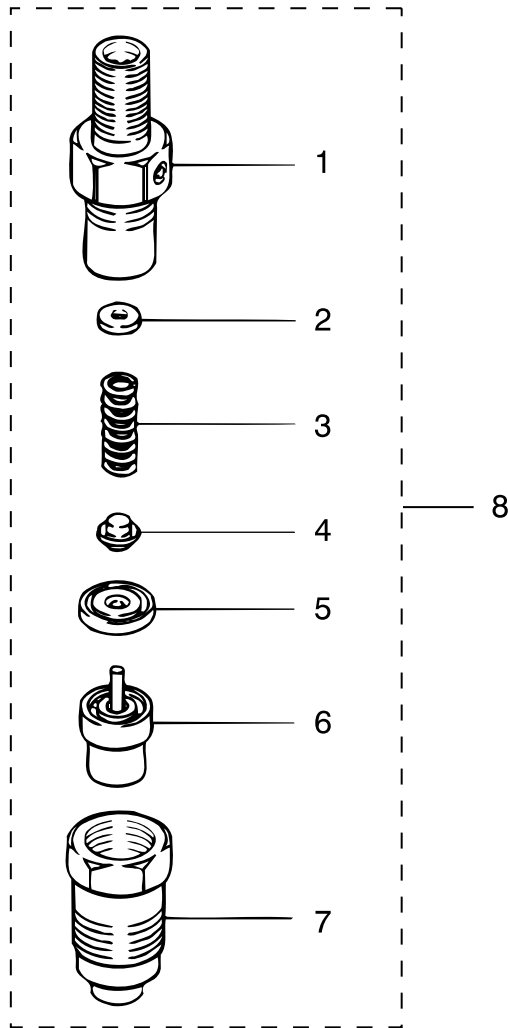
| pos. | qty | part | benaming | description |
|------|-----|---------|-------------------------------------|-------------------------------------|
| 17 | 1 | STM1352 | Deksel | Cover |
| 18 | 1 | STM1353 | Veer | Spring |
| 24 | 1 | STM1354 | Pakking | Gasket |
| 25 | 1 | STM1356 | Moer | Nut |
| 26 | 1 | STM1357 | Veer | Spring |
| 27 | 1 | STM1358 | Moer | Nut |
| 28 | 1 | STM1359 | Huis | Case |
| 29 | 1 | STM1360 | Schroef | Screw |
| 30 | 1 | STM1361 | Stop | Stopper |
| 31 | 1 | STM1362 | Kap | Cap |
| 32 | 1 | STM1363 | Deksel | Cover |
| 33 | 1 | STM1364 | Blauwe veer M2.04/M2.06/M2.13/M2.18 | Spring blue M2.04/M2.06/M2.13/M2.18 |
| | 1 | STM1441 | Roze veer M2.D5/M2.C5 | Spring pink M2.D5/M2.C5 |
| 34 | 2 | STM2737 | Bout | Bolt |
| 35 | 1 | STM1365 | Bout | Bolt |
| 36 | 4 | STM1366 | Bout | Bolt |



M2.02 M2.04 M2.06 M2.C5 Regulateur
M2.13 M2.18 M2.D5

Regulator

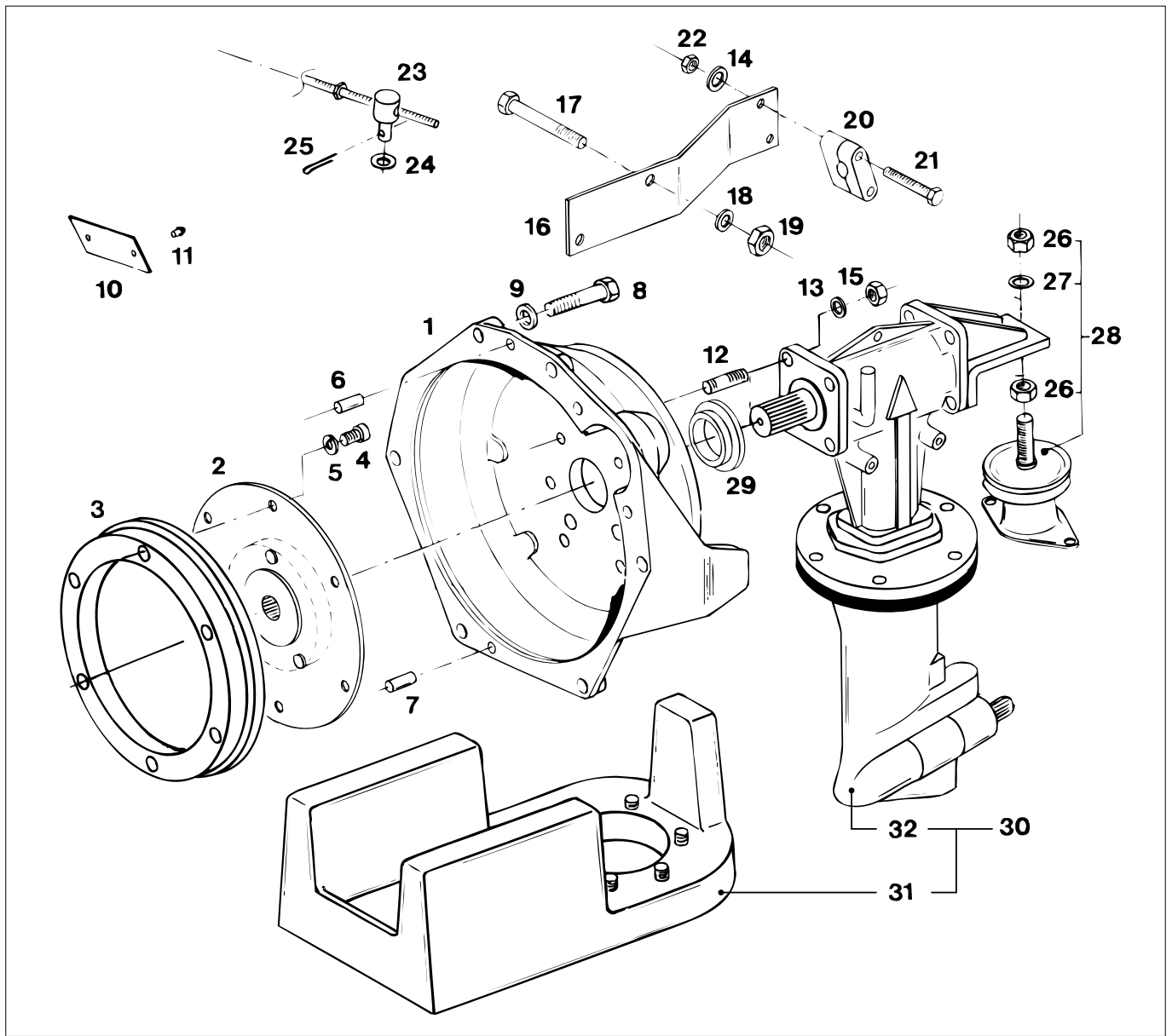
| pos. | qty | part | benaming | description |
|------|-----|---------|--------------------|----------------------|
| 37 | 4 | STM1367 | Bout | Bolt |
| 38 | 1 | STM1368 | Bout | Bolt |
| 39 | 2 | STM1369 | Moer | Nut |
| 40 | 1 | STM1370 | Moer | Nut |
| 41 | 1 | STM1371 | Ring | Washer |
| 42 | 1 | STM1372 | O-ring | O-ring |
| 43 | 1 | STM1373 | Borgring | Ring snap |
| 44 | 1 | STM1374 | Pakking | Gasket |
| 45 | 1 | STM1355 | Verenset 25 t/m 30 | Spring set 25 til 30 |
| 46 | 1 | STM1439 | Borgmoer 06-97-> | Lock nut 06-97-> |
| 47 | 1 | STM1440 | Stelbout 06-97-> | Set bolt 06-97-> |



M2.02 M2.04 M2.06 M2.C5 Verstuiverhouder
M2.13 M2.18 M2.D5

Nozzle holder

| pos. | qty | part | benaming | description |
|------|-----|---------|-------------------------|----------------------|
| 1 | 2 | STM1377 | Verstuiverhouder | Body sub assy |
| 2 | 1 | STM1378 | Shim 1,25 | Shim 1.25 |
| | 1 | STM1379 | Shim 1,3 | Shim 1.3 |
| | 1 | STM1380 | Shim 1,35 | Shim 1.35 |
| | 1 | STM1381 | Shim 1,4 | Shim 1.4 |
| | 1 | STM1382 | Shim 1,45 | Shim 1.45 |
| | 1 | STM1383 | Shim 1,5 | Shim 1.5 |
| | 1 | STM1384 | Shim 1,55 | Shim 1.55 |
| | 1 | STM1385 | Shim 1,6 | Shim 1.6 |
| | 1 | STM1386 | Shim 1,65 | Shim 1.65 |
| 3 | 2 | STM1388 | Veer | Spring |
| 4 | 2 | STM1389 | Pen | Pin |
| 5 | 2 | STM1390 | Afstandstuk | Distance piece |
| 6 | 2 | STM1391 | Verstuiver | Nozzle assy |
| 7 | 2 | STM1392 | Moer | Nut |
| 8 | 2 | STM1298 | Verstuiver cpl. 1 t/m 7 | Nozzle cpl. 1 till 7 |

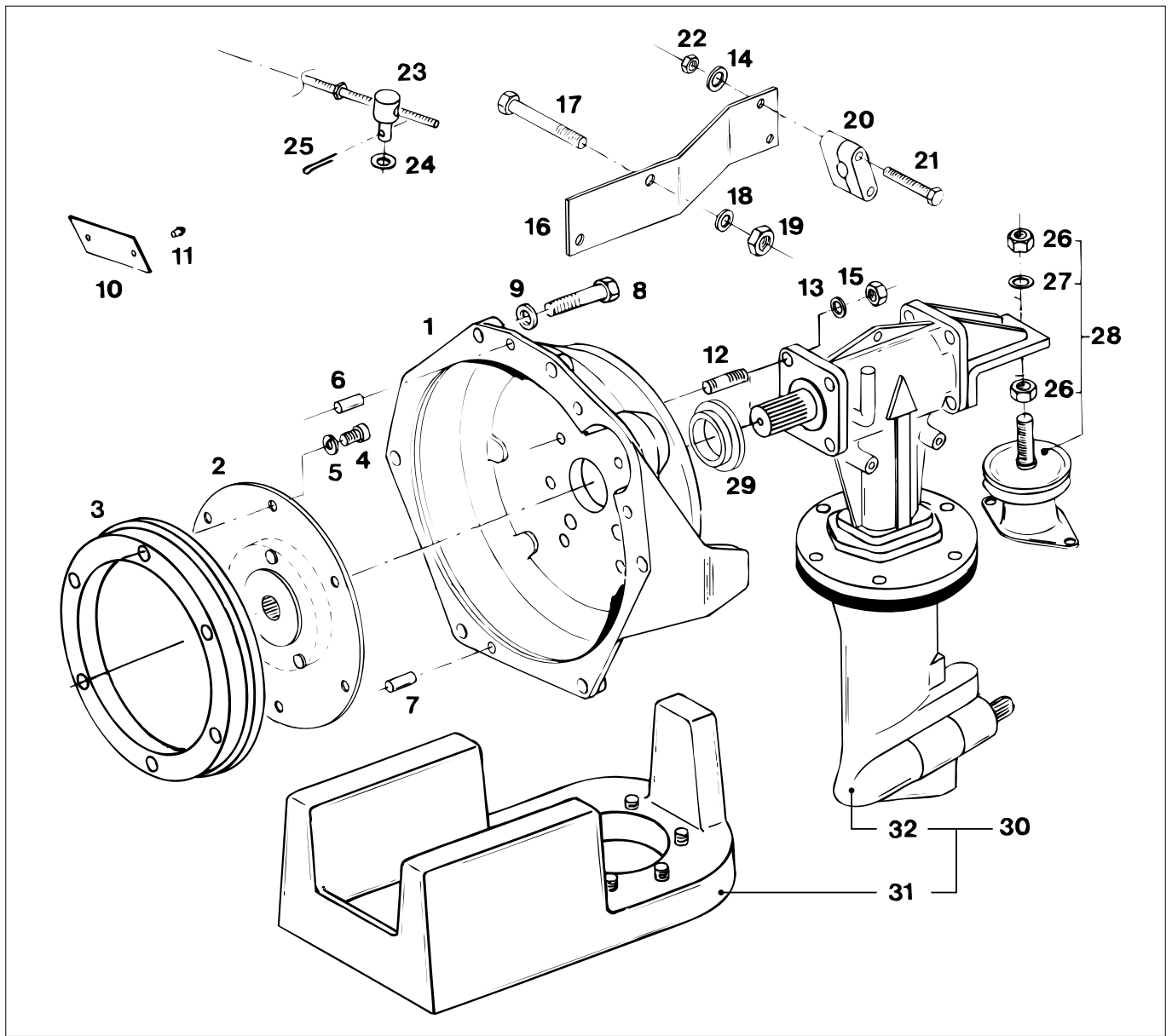


M2.04 M2.06

Saildrive Lombardini

Saildrive Lombardini

| pos. | qty | part | benaming | description |
|------|-----|---------|-----------------------------|--------------------------------|
| 1 | 1 | STM6105 | Vliegwielhuis PRM Saildrive | Flywheel housing PRM Saildrive |
| 2 | 1 | STM6106 | Demperplaat DIN5464 Z=10 | Damper plate DIN5464 Z=10 |
| 3 | 1 | STM6219 | Ring | Washer |
| 4 | 6 | STM1651 | Bout M8x35 | Bolt M8x35 |
| 5 | 6 | STM1056 | Ring | Washer |
| 6 | 1 | STM6279 | Paspen 8x18 DIN6325 | Pin 8x18 DIN6325 |
| 7 | 1 | STM2507 | Paspen 8x10 DIN6325 | Pin 8x10 DIN6325 |
| 8 | 6 | STM6104 | Bout M12x1,75x70 | Bolt M12x1,75x 70 |
| 9 | 6 | STM4056 | Ring | Washer |
| 10 | 1 | STM1054 | Typeplaatje | Type Plate |
| 11 | 2 | STM3528 | Kerfnagel 3x5 DIN1476 | Nail 3x5 DIN1476 |
| 12 | 4 | STM6216 | Tapeind M10x30 | Stud M10x13 |
| 13 | 4 | STM2022 | Ring | Washer |
| 14 | 2 | STM1707 | Ring | Washer |
| 15 | 4 | STM4018 | Moer M10 | Nut M10 |
| 16 | 1 | STM6904 | Steun | Support |
| 17 | 2 | STM6909 | Bout M10x120 | Bolt M10x120 |
| 18 | 2 | STM4014 | Ring | Washer |

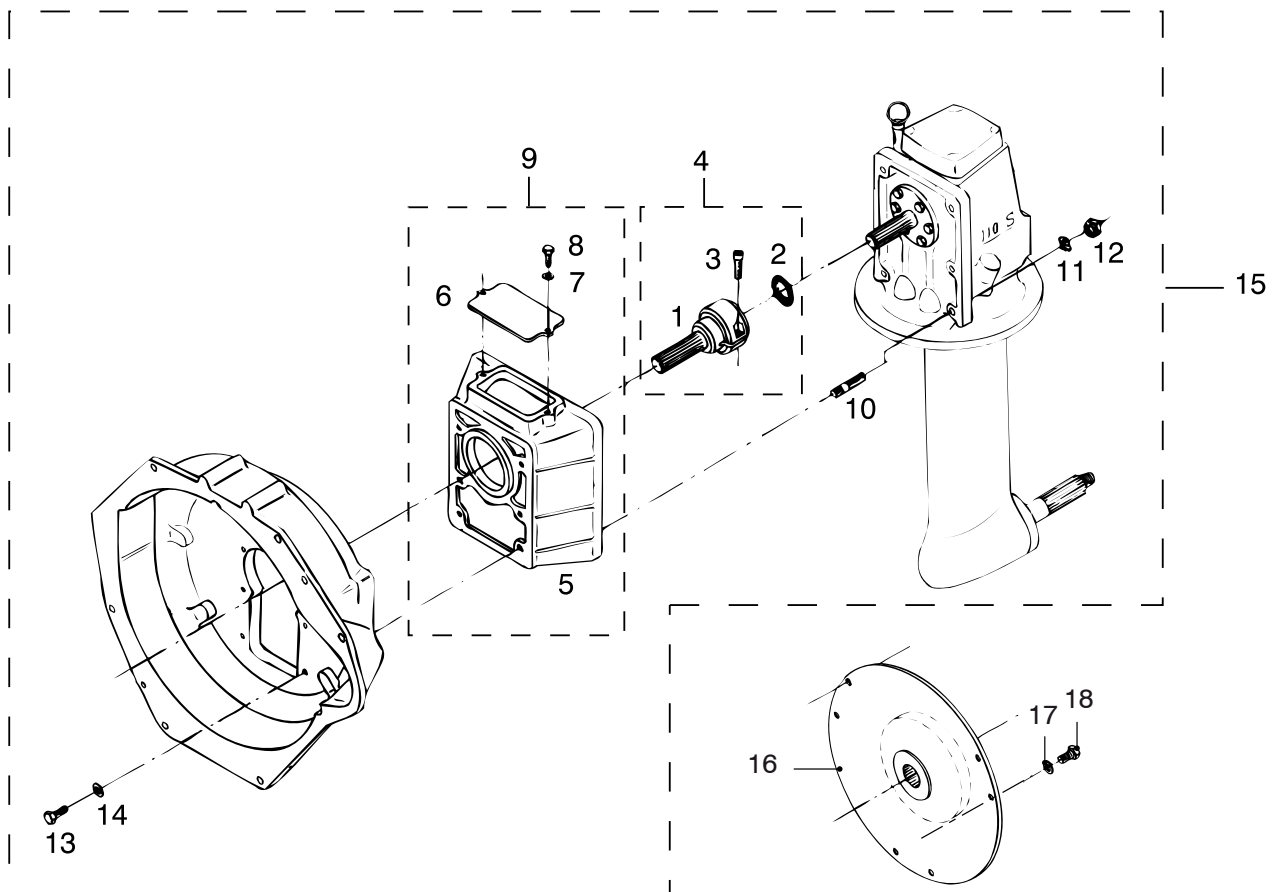


M2.04 M2.06

Saildrive Lombardini

Saildrive Lombardini

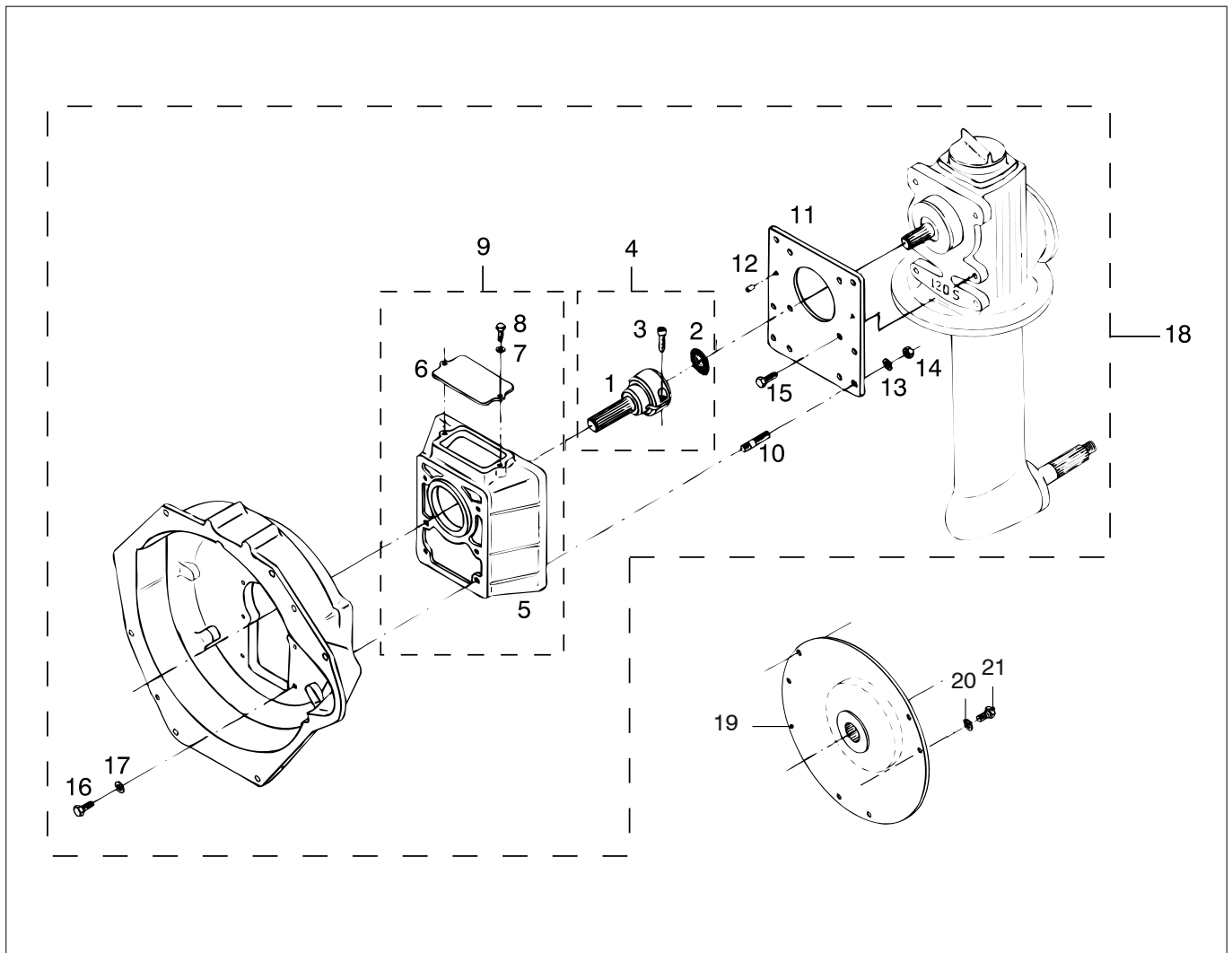
| pos. | qty | part | benaming | description |
|------|-----|----------|----------------------|-------------------------|
| 19 | 2 | STM4018 | Moer M10 | Nut M10 |
| 20 | 1 | STM1703 | Kabelklem | Cable clamp |
| 21 | 2 | STM1704 | Bout M5x25 | Bolt M5x25 |
| 22 | 2 | STM1705 | Moer M5 | Moer M5 |
| 23 | 1 | STM1806 | Nippel | Nipple |
| 24 | 1 | STM1807 | Ring | Washer |
| 25 | 1 | STM1808 | Splitpen 2x25 | Split pin 2x25 |
| 26 | 2 | STM4010 | Moer M16x1,5 | Nut M16x1,5 |
| 27 | 1 | STM4011 | Ring | Washer |
| 28 | 1 | MITSTEUN | Hydrodemper | Hydro Mount |
| 29 | 1 | STM6226 | Centreer ring | Centring ring |
| 30 | 1 | STM5900 | Staatstuk + fundatie | Tail piece + engine bed |
| 31 | 1 | STM6905 | Fundatie | Engine bed |
| 32 | 1 | STM6906 | Staatstuk | Tail piece |
| 33 | 1 | STM6909 | Zinkanode Selva | Zinc anode Selva |
| 34 | 1 | STM6910 | Moer RVS M16 Selva | Nut SS M16 Selva |
| 35 | 1 | STM1387 | Shim 1,7 | Shim 1.7 |



M2.02 M2.04 M2.06 M2.C5 Verloopset saildrive 110S
M2.13 M2.18 M2.D5

Adaptor kit saildrive 110S

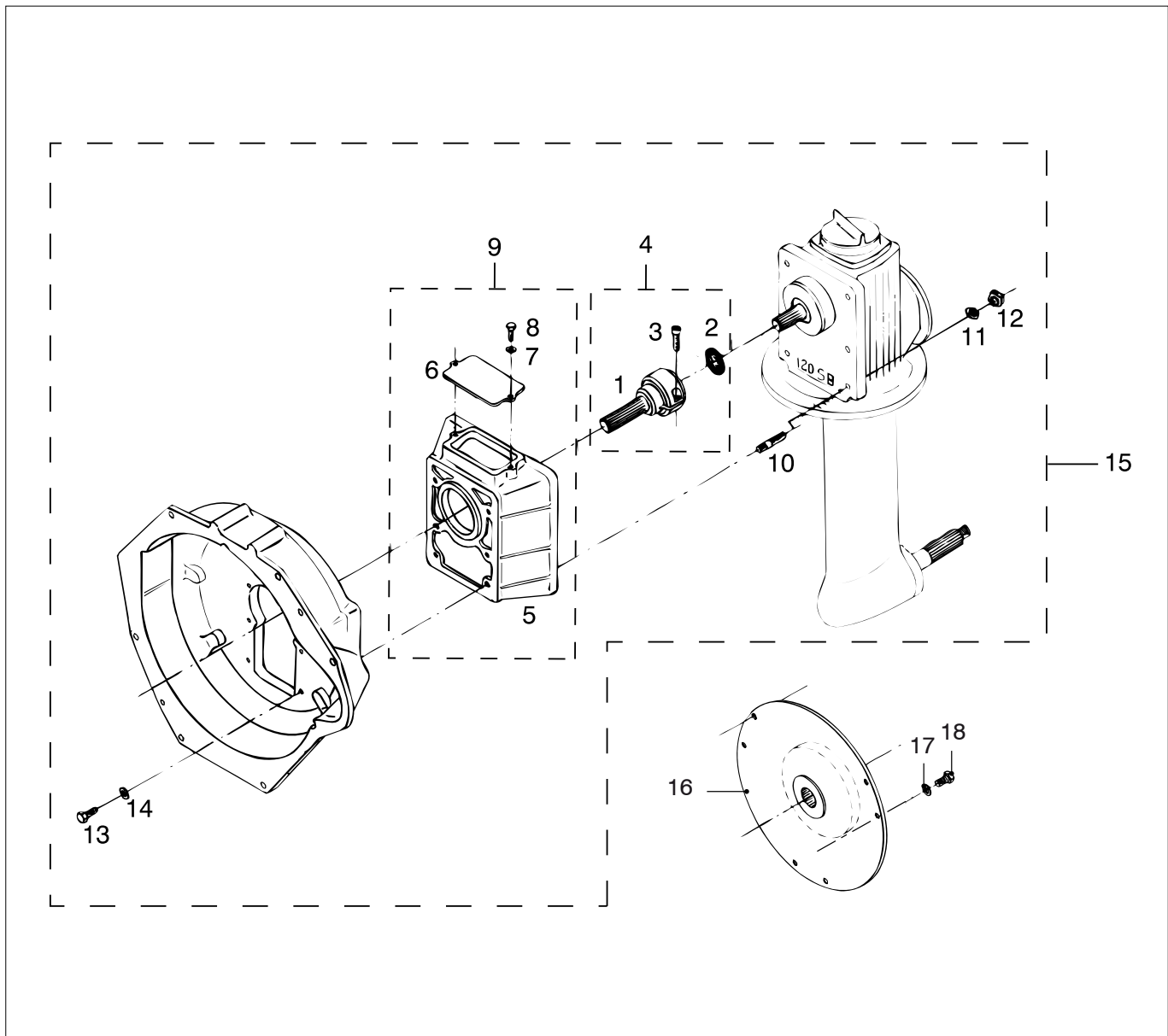
| pos. | qty | part | benaming | description |
|------|-----|---------|------------------------------|-------------------------------|
| 1 | 1 | STM7605 | Koppeling | Coupling |
| 2 | 1 | STM7607 | O-ring | O-ring |
| 3 | 2 | STM8332 | Inbusbout M8x30 | Allen screw M8x30 |
| 4 | 1 | STM7611 | Koppeling compleet (1+2+3) | Coupling cpl.(1+2+3) |
| 5 | 1 | STM7601 | Adapterhuis | Adaptor case |
| 6 | 1 | STM7603 | Deksel | Cover |
| 7 | 2 | STM1025 | Gegolfde veerring M6 | Wave spring washer M6 |
| 8 | 2 | STM1024 | Bout M6x15 | Bolt M6x15 |
| 9 | 1 | STM7612 | Adapterhuis cpl. (5+6+7+8) | Adaptor case cpl. (5+6+7+8) |
| 10 | 6 | STM7615 | Tapeind M10x45 | Stud M10x45 |
| 11 | 6 | STM2022 | Gegolfde veerring M10 | Vave spring washer M10 |
| 12 | 6 | STM4018 | Moer M10 | Nut M10 |
| 13 | 6 | STM1651 | Bout M8x35 | Bolt M8x35 |
| 14 | 6 | STM1019 | Gegolfde veerring M8 | Wave spring washer M8 |
| 15 | 1 | STM7614 | Aanbouwset cpl. | Adaptor kit cpl. |
| 16 | 1 | STM4104 | Demperplaat DIN splines Z=10 | Damper plate DIN splines Z=10 |
| 17 | 6 | STM1056 | Veerring M8 | Spring washer M8 |
| 18 | 6 | STM4055 | Bout M8x1,25x16 | Bolt M8x1.25x16 |



M2.02 M2.04 M2.06 M2.C5 Verloopset saildrive 120S
M2.13 M2.18 M2.D5

Adaptor kit saildrive 120S

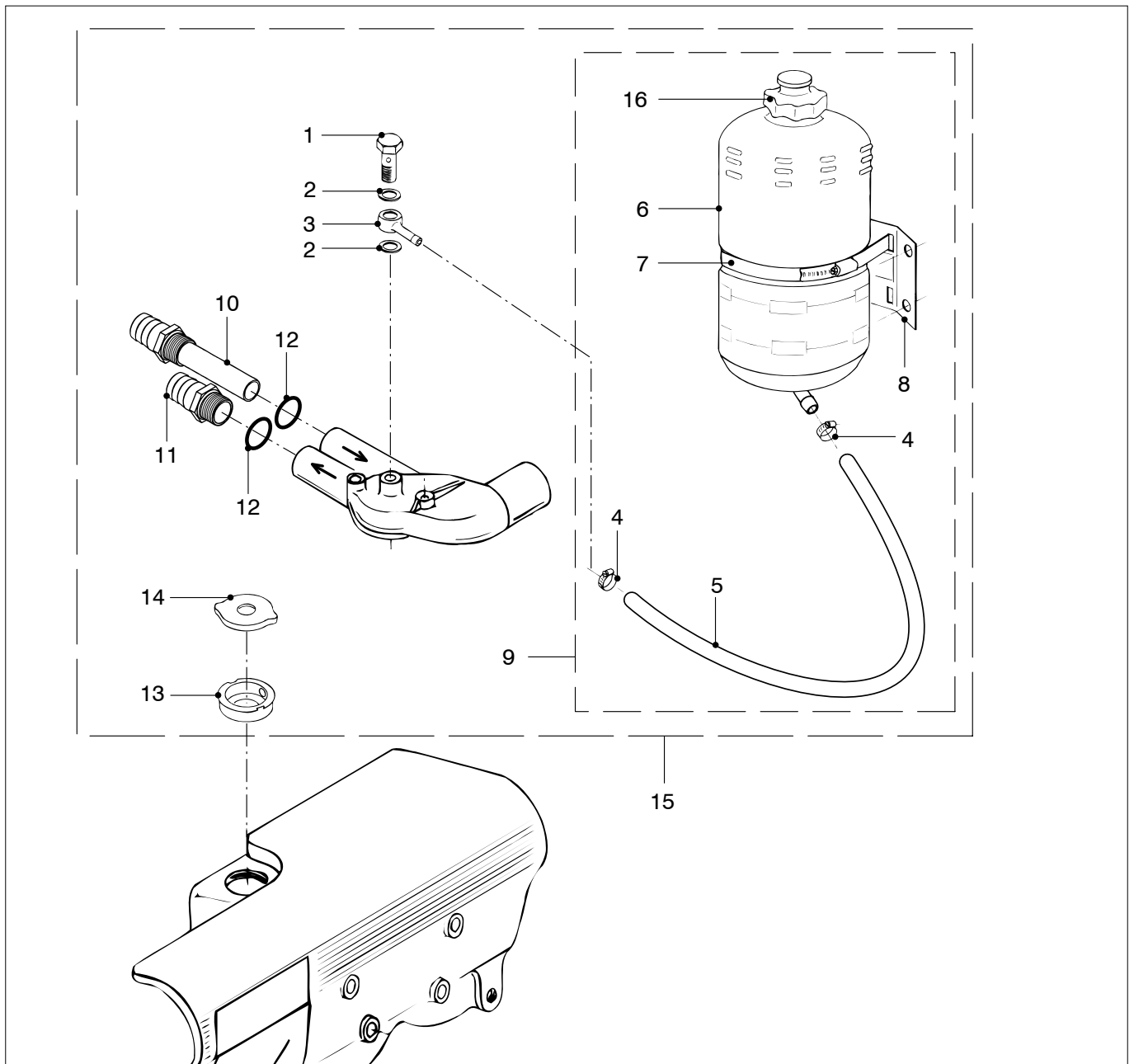
| pos. | qty | part | benaming | description |
|------|-----|---------|------------------------------|-------------------------------|
| 1 | 1 | STM7606 | Koppeling | Coupling |
| 2 | 1 | STM7608 | O-ring | O-ring |
| 3 | 2 | STM8332 | Inbusbout M8x30 | Allen screw M8x30 |
| 4 | 1 | STM7616 | Koppeling compleet (1+2+3) | Coupling cpl. (1+2+3) |
| 5 | 1 | STM7601 | Adapterhuis | Adaptor case |
| 6 | 1 | STM7603 | Deksel | Cover |
| 7 | 2 | STM1025 | Gegolfde veerring M6 | Wave spring washer M6 |
| 8 | 2 | STM1024 | Bout M6x15 | Bolt M6x15 |
| 9 | 1 | STM7612 | Adapterhuis cpl. (5+6+7+8) | Adaptor case cpl. (5+6+7+8) |
| 10 | 6 | STM7620 | Tapeind M10x20 | Stud M10x20 |
| 11 | 1 | STM7604 | Adapterflens | Adaptor flange |
| 12 | 2 | STM2507 | Paspn ø8x12 | Pin ø8x12 |
| 13 | 6 | STM2022 | Gegolfde veerring M10 | Wave spring washer M10 |
| 14 | 6 | STM4018 | Moer M10 | Nut M10 |
| 15 | 6 | STM8391 | Bout M10x25 (sw16) | Bolt M10x25 |
| 16 | 6 | STM1651 | Bout M8x35 | Bolt M8x35 |
| 17 | 6 | STM1019 | Gegolfde veerring M8 | Wave spring washer M8 |
| 18 | 1 | STM7621 | Aanbouwset cpl. | Adator kit cpl. |
| 19 | 1 | STM4104 | Demperplaat DIN splines Z=10 | Damper plate DIN splines Z=10 |
| 20 | 6 | STM1056 | Veerring M8 | Spring washer M8 |
| 21 | 6 | STM4055 | Bout M8x1,25x16 | Bolt M8x1.25x16 |



M2.02 M2.04 M2.06 M2.C5 Verloopset saildrive 120SB
M2.13 M2.18 M2.D5

Adaptor kit saildrive 120SB

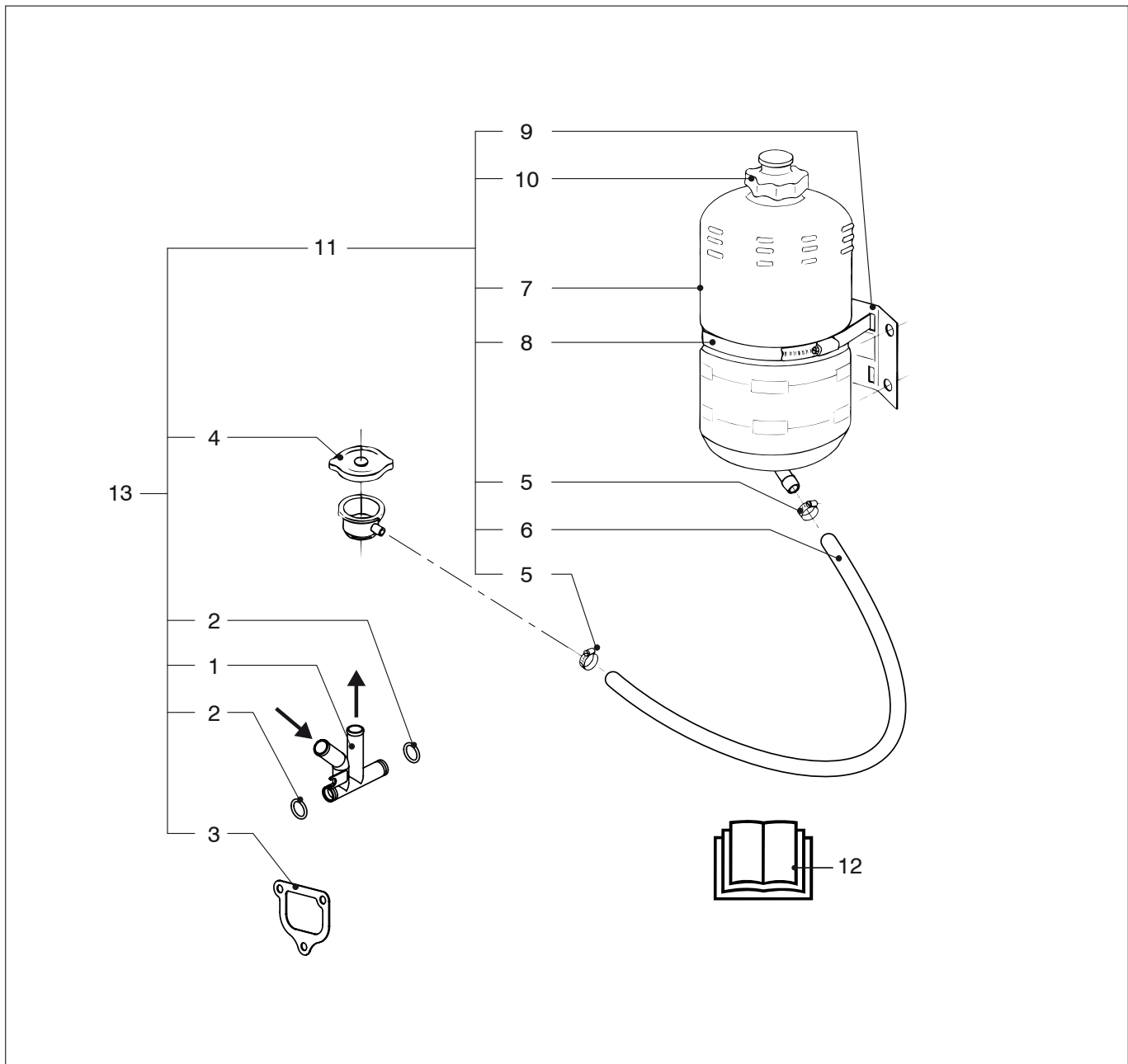
| pos. | qty | part | benaming | description |
|------|-----|---------|------------------------------|-------------------------------|
| 1 | 1 | STM7606 | Koppeling | Coupling |
| 2 | 1 | STM7608 | O-ring | O-ring |
| 3 | 2 | STM8332 | Inbusbout M8x30 | Allen screw M8x30 |
| 4 | 1 | STM7616 | Koppeling compleet (1+2+3) | Coupling cpl. (1+2+3) |
| 5 | 1 | STM7602 | Adapterhuis | Adaptor case |
| 6 | 1 | STM7603 | Deksel | Cover |
| 7 | 2 | STM1025 | Gegolfde veerring M6 | Wave spring washer M6 |
| 8 | 2 | STM1024 | Bout M6x15 | Bolt M6x15 |
| 9 | 1 | STM7617 | Adapterhuis cpl. (5+6+7+8) | Adaptor case cpl. (5+6+7+8) |
| 10 | 6 | STM7618 | Tapeind M10x35 | Stud M10x35 |
| 11 | 6 | STM2022 | Gegolfde veerring M10 | Wave spring washer M10 |
| 12 | 6 | STM4018 | Moer M10 | Nut M10 |
| 13 | 6 | STM1651 | Bout M8x35 | Bolt M8x35 |
| 14 | 6 | STM1019 | Gegolfde veerring M8 | Wave spring washer M8 |
| 15 | 1 | STM7619 | Aanbouwset cpl. | Adaptor kit cpl. |
| 16 | 1 | STM4104 | Demperplaat DIN splines Z=10 | Damper plate DIN splines Z=10 |
| 17 | 6 | STM1056 | Veerring M8 | Spring washer M8 |
| 18 | 6 | STM4055 | Bout M8x1,25x16 | Bolt M8x1.25x16 |



M2.02 M2.04 M2.06 M2.C5 Boileraansluiting I
M2.D5

Calorifier connection I

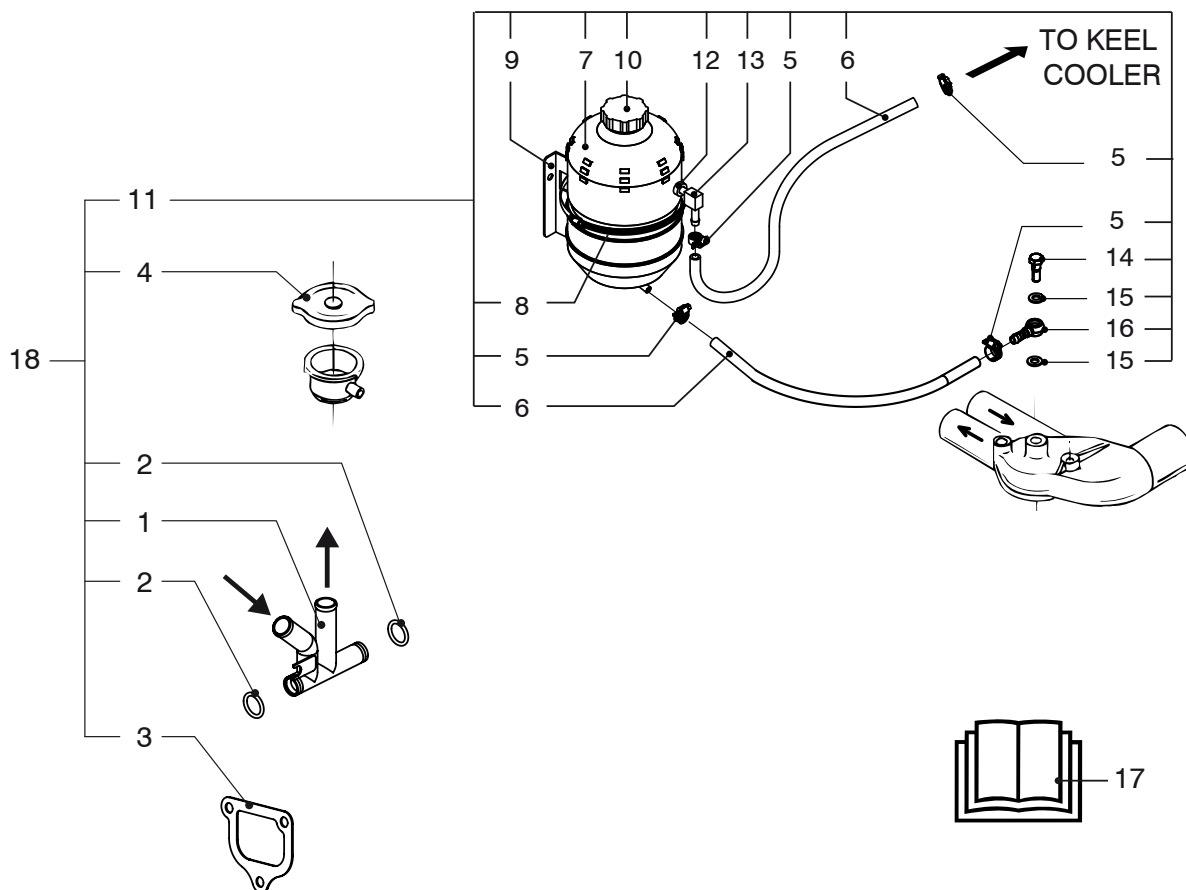
| pos. | qty | part | benaming | description |
|------|-----|----------|-----------------------|--------------------------|
| 1 | 1 | STM6199 | Banjo bout M10 x 1,5 | Banjo bolt M10 x 1,5 |
| 2 | 2 | STM2018 | Afdichtring M10 | Seal washer M10 |
| 3 | 1 | STM6198 | Banjo oog | Banjo eye |
| 4 | 2 | STM9505 | Klem | Clamp |
| 5 | 1 | STM9504 | Slang | Hos |
| 6 | 1 | STM9501 | Expansie tank | Headertank |
| 7 | 1 | STM9503 | Slangklem 140-180 | Hose clamp 140-180 |
| 8 | 1 | STM9502 | Bevestigingsbeugel | Support |
| 9 | 1 | STM9500 | Expansietank compleet | Headertank compl. |
| 10 | 1 | STM6343 | Slangpilaar (lang) | Hose pillar |
| 11 | 1 | STM3736 | Slangpilaar (kort) | Hose pillar |
| 12 | 2 | STM6617 | Afdichtring | Seal washer |
| 13 | 1 | STM3750 | Vulnek | Filler neck |
| 14 | 1 | STM9507 | Vuldop (Do not open) | Filler cap (Do not open) |
| 15 | 1 | STM6235 | Boilerset compleet | Calorifier set compl. |
| 16 | 1 | 08-01141 | Drukdop | Pressure cap |



M2.02 M2.04 M2.06 M2.C5 Boileraansluiting II, interkoeling
M2.13 M2.18 M2.D5

Calorifier connection II, intercooling

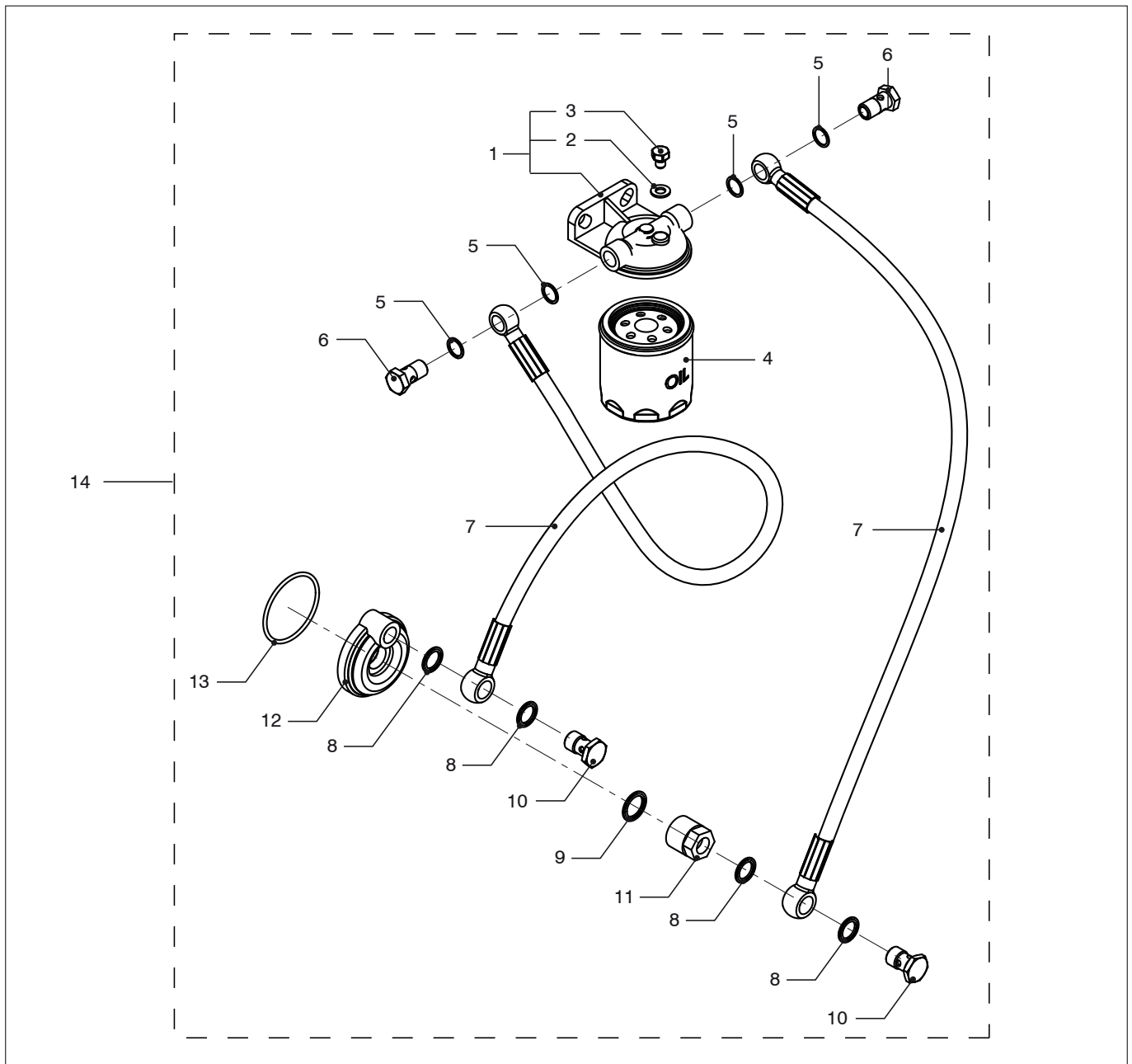
| pos. | qty | part | benaming | description |
|------|-----|-----------|------------------------|--------------------------|
| 1 | 1 | 08-01188 | Pijp | Pipe |
| 2 | 2 | STM1238 | O-ring | O-ring |
| 3 | 1 | STM3967 | Pakking | Gasket |
| 4 | 1 | STM9507 | Vuldop (do not open) | Filler cap (do not open) |
| 5 | 2 | STM9505 | Slangklem | Hose clamp |
| 6 | 1 | STM9504 | Slang | Hose |
| 7 | 1 | STM9501 | Expansietank | Headertank |
| 8 | 1 | STM9503 | Slangklem | Hose clamp |
| 9 | 1 | STM9502 | Bevestigingsbeugel | Support |
| 10 | 1 | 08-01141 | Drukdop | Pressure cap |
| 11 | 1 | STM9500 | Expansietank compleet | Headertank complete |
| 12 | 1 | 344399.01 | Installatie instructie | Installation instruction |
| 13 | 1 | 08-01190 | Boilerset compleet | Calorifier kit complete |



M2.02 M2.04 M2.06 M2.C5 Boileraansluiting II Kielkoeling
M2.13 M2.18 M2.D5

Calorifier connection II Keelcooling

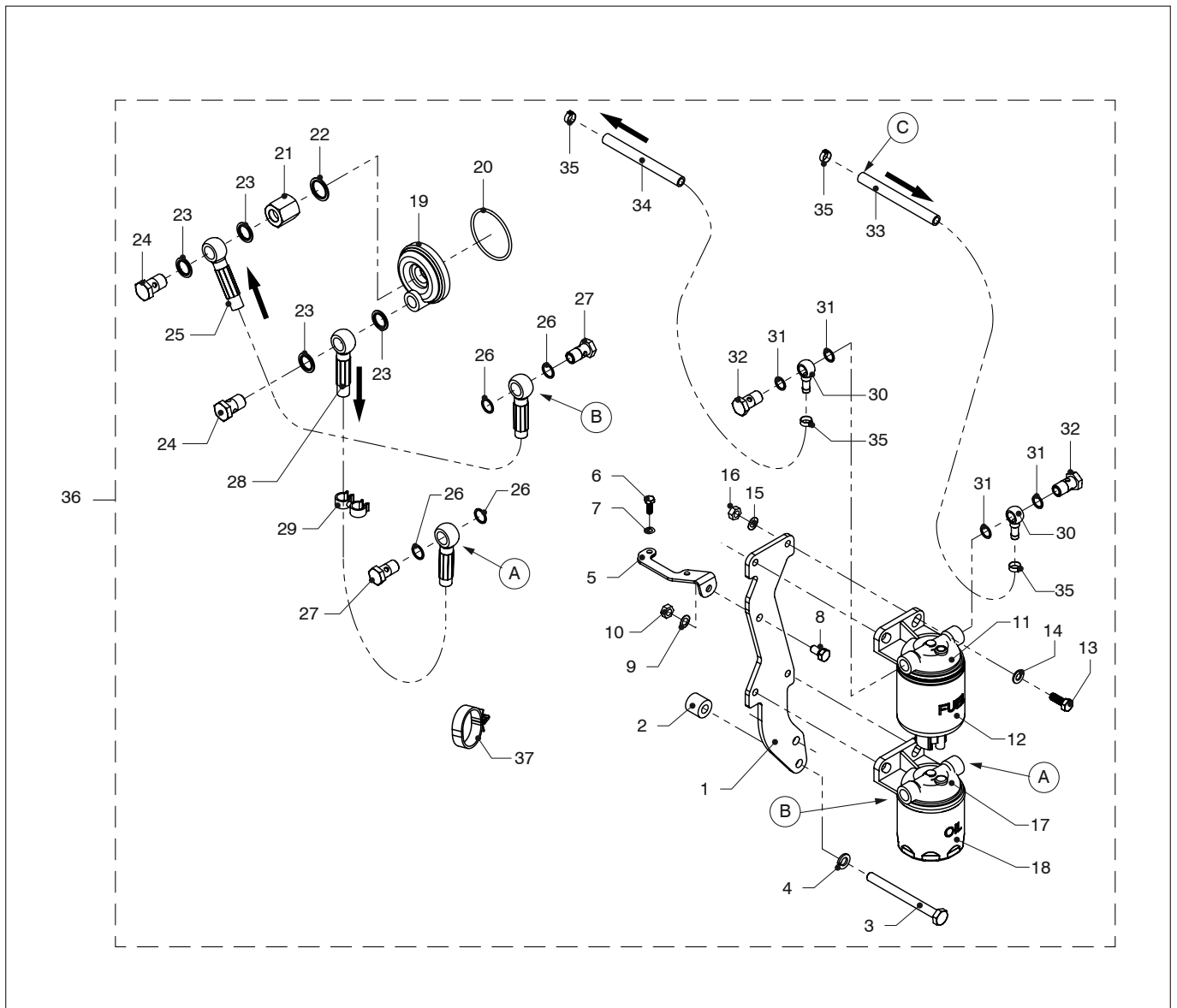
| pos. | qty | part | benaming | description |
|------|-----|-----------|------------------------|--------------------------|
| 1 | 1 | 08-01188 | Pijp | Pipe |
| 2 | 2 | STM1238 | O-ring | O-ring |
| 3 | 1 | STM3967 | Pakking | Gasket |
| 4 | 1 | STM9507 | Vuldop (do not open) | Filler cap (do not open) |
| 5 | 4 | STM9505 | Slangklem | Hose clamp |
| 6 | 2 | STM9504 | Slang | Hose |
| 7 | 1 | STM9513 | Expansietank | Headertank |
| 8 | 1 | STM9503 | Slangklem | Hose clamp |
| 9 | 1 | STM9502 | Bevestigingsbeugel | Support |
| 10 | 1 | 08-01141 | Drukdop | Pressure cap |
| 11 | 1 | STM9514 | Expansietank compleet | Headertank complete |
| 12 | 1 | STM9511 | Tule | Grommet |
| 13 | 1 | STM9512 | Slangpilaar | Hose pillar |
| 14 | 1 | STM7587 | Banjo bout | Banjo bolt |
| 15 | 2 | STM2018 | Afdichtring | Seal washer |
| 16 | 1 | STM6198 | Banjo-oog | Banjo eye |
| 17 | 1 | 344399.01 | Installatie instructie | Installation instruction |
| 18 | 1 | 08-01202 | Boilerset compleet | Calorifier kit complete |



M2.02 M2.04 M2.06 M2.C5 M2.D5 **Separaat gemonteerd oliefilter**

Oil filter separately installed

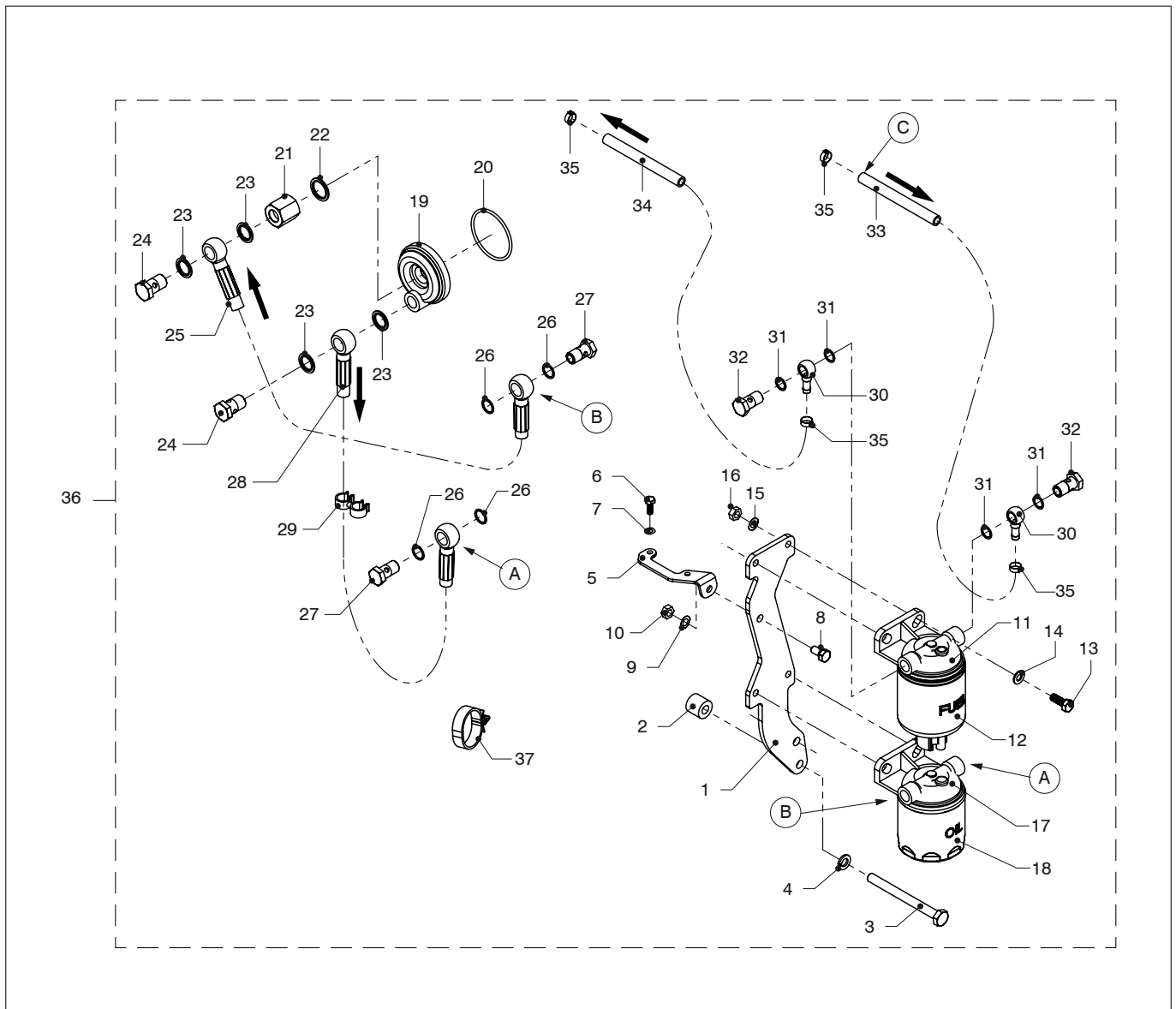
| pos. | qty | part | benaming | description |
|------|-----|---------|--------------------------------|----------------------------|
| 1 | 1 | STM9905 | Filterkop M14x1,5 | Filter head M14x1,5 |
| 2 | 1 | STM3797 | Afdichtring M8 | Seal washer M8 |
| 3 | 1 | STM3796 | Ontluchttingsbout M8x1,25 l=10 | Bleeding bolt M8x1,25 l=10 |
| 4 | 1 | STM9316 | Oliefilter M20 | Oil filter M20 |
| 5 | 4 | STM1062 | Afdichtring M14 | Seal washer M14 |
| 6 | 2 | STM3518 | Banjo bout M14x1.5 | Banjo bolt M14x1.5 |
| 7 | 2 | STM9906 | Slang | Hose |
| 8 | 4 | STM9907 | Afdichtring M16 | Seal washer M16 |
| 9 | 1 | STM9908 | Afdichtring M20 | Seal washer M20 |
| 10 | 2 | STM9909 | Banjo bout M16 | Banjo bolt M16 |
| 11 | 1 | STM9910 | Moer | Nut |
| 12 | 1 | STM9911 | Adapter | Adaptor |
| 13 | 1 | STM9912 | O-ring | O-ring |
| 14 | 1 | STM9913 | Set separaat oliefilter | Kit oil filter separately |



M2.02 M2.04 M2.06 M2.C5 M2.D5 **Separaat gemonteerd oliefilter + brandstof-filter**

Oil filter + fuel filter separately installed

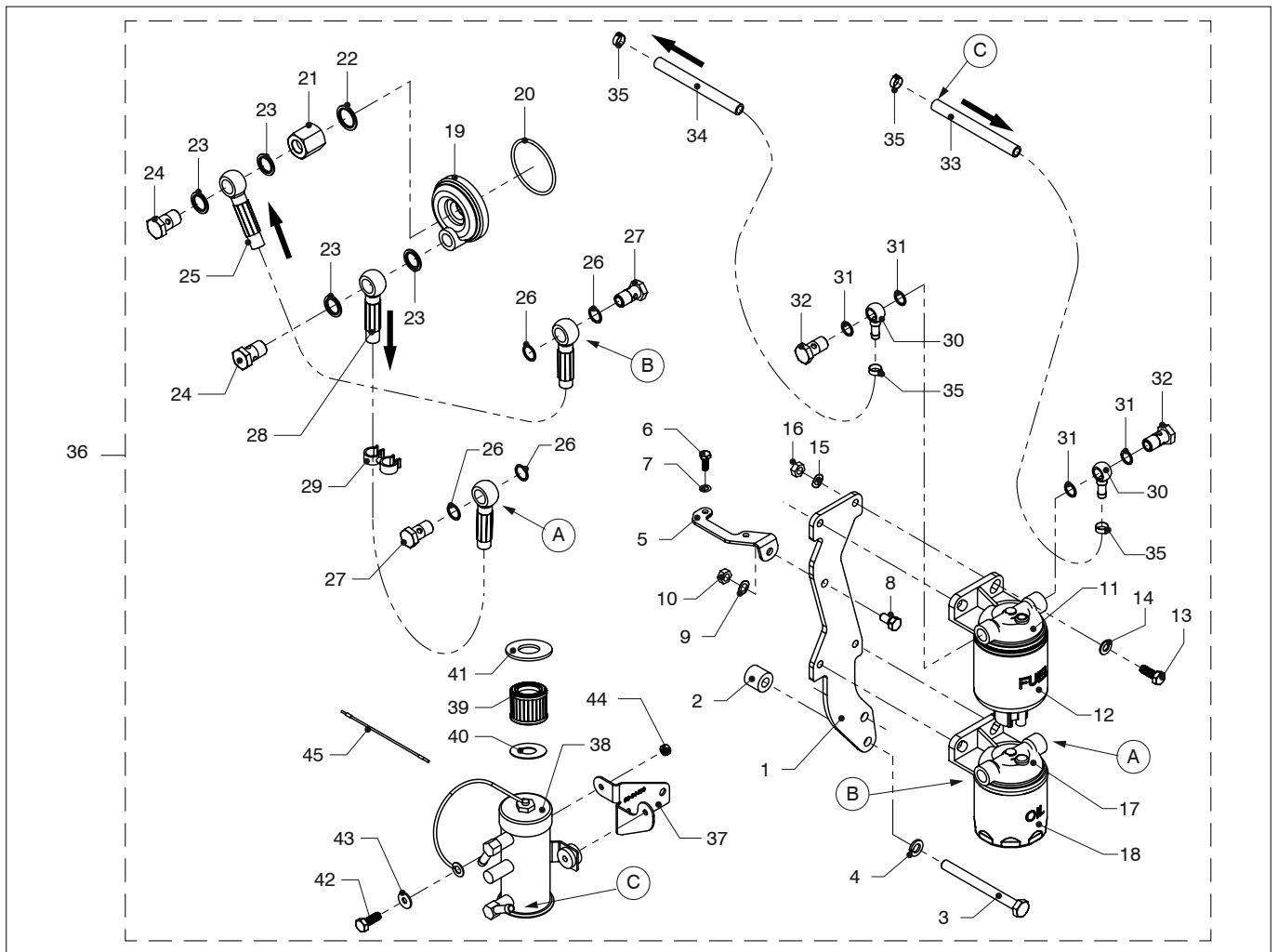
| pos. | qty | part | benaming | description |
|------|-----|----------|-----------------------------|--------------------------------|
| 1 | 1 | 08-01398 | Steun | Support |
| 2 | 2 | STM9775 | Bus l=20 | Bush l=20 |
| 3 | 2 | 08-01399 | Bout M10x1,25x110 | Bolt M10x1,25x110 |
| 4 | 2 | STM4014 | Veerring M10 | Spring washer M10 |
| 5 | 1 | 08-01397 | Steun | Support |
| 6 | 2 | STM1024 | Bout M6x16 | Bolt M6x16 |
| 7 | 2 | STM8568 | Gegolfde veerring M6 | Wave spring washer M6 |
| 8 | 1 | STM4055 | Bout M8x16 | Bolt M8x16 |
| 9 | 1 | STM1019 | Gegolde veerring M8 | Wave spring washer M8 |
| 10 | 1 | STM2005 | Moer M8 | Nut M8 |
| 11 | 1 | STM6050 | Filterkop brandstof M12x1 | Filter head fuel M12x1 |
| 12 | 1 | STM3690 | Brandstoffilter M16x1,5 | Fuel filter M16x1,5 |
| 13 | 4 | STM1610 | Bout M8x25 | Bout M8x25 |
| 14 | 4 | STM1653 | Ring 8mm | Washer 8mm |
| 15 | 4 | STM1019 | Veerring M8 | Spring washer M8 |
| 16 | 4 | STM2005 | Moer M8 | Nut M8 |
| 17 | 1 | STM9905 | Filterkop motorolie M14x1,5 | Filter head Engine oil M14x1,5 |
| 18 | 1 | STM9316 | Motorolie filter M20x1,5 | Engine oil filter M20x1,5 |
| 19 | 1 | STM9911 | Adapter | Adaptor |



M2.02 M2.04 M2.06 M2.C5 M2.D5 **Separaat gemonteerd oliefilter + brandstof-filter**

Oil filter + fuel filter separately installed

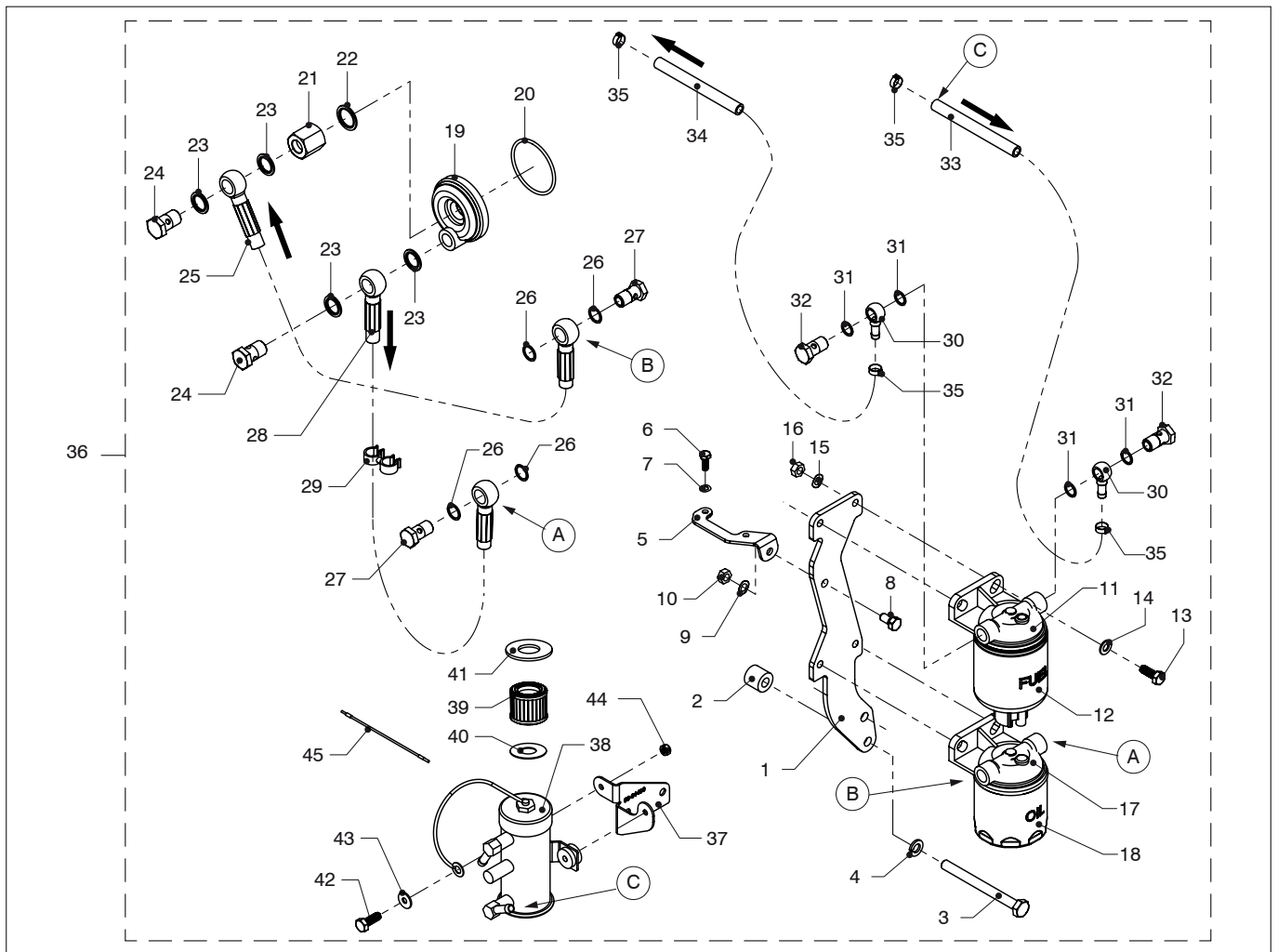
| pos. | qty | part | benaming | description |
|------|-----|----------|--------------------------------------|-------------------------------------|
| 20 | 1 | STM9912 | O-ring 58x3 | O-ring 58x3 |
| 21 | 1 | 08-01404 | Moer M16 -> M20 | Nut M16 -> 20 |
| 22 | 1 | STM9908 | Afdichtring 20mm | Seal washer 20mm |
| 23 | 4 | STM9907 | Afdichtring 16mm | Seal washer M |
| 24 | 2 | STM8214 | Banjo bout M16x1,5 | Banjo bolt M16x1,5 |
| 25 | 1 | 08-01402 | Slang l=380 filter uit -> adaptor in | Hose l=380 filter out -> adaptor in |
| 26 | 4 | STM1062 | Afdichtring 14mm | Seal washer 14mm |
| 27 | 2 | STM3518 | Banjo bout M14x1,5 | Banjo bolt M14x1,5 |
| 28 | 1 | 08-01406 | Slang l=450 adaptor uit -> filter in | Hose l=450 adaptor out -> filter in |
| 29 | 1 | VD60090 | Klem | Clamp |
| 30 | 2 | STM9262 | Banjo-oog | Banjo eye |
| 31 | 4 | STM7056 | Afdichtring M12 | Seal washer M12 |
| 32 | 2 | STM8057 | Banjo bout M12x1 | Banjo bolt M12x1 |
| 33 | 1 | 18-14981 | Slang Ø8 L = 520 mm | Hose Ø8 L = 520 mm |
| 34 | 1 | STM7597 | Slang Ø8 L = 380 mm | Hose Ø8 L = 380 mm |
| 35 | 4 | STM6185 | Klem | Clamp |
| 36 | 1 | 08-01454 | Set compleet | Kit cpl. |
| 37 | 1 | 08-01320 | Klem | Clamp |



M2.02 M2.04 M2.06 M2.C5 M2.D5 **Separaat gemonteerd oliefilter+brandstoffilter+el.br.pomp**

Oil filter+oil filter+el. fuel pump separately installed

| pos. | qty | part | benaming | description |
|------|-----|----------|-----------------------------|--------------------------------|
| 1 | 1 | 08-01398 | Steun | Support |
| 2 | 2 | STM9775 | Bus l=20 | Bush l=20 |
| 3 | 2 | 08-01399 | Bout M10x1,25x110 | Bolt M10x1,25x110 |
| 4 | 2 | STM4014 | Veerring M10 | Spring washer M10 |
| 5 | 1 | 08-01397 | Steun | Support |
| 6 | 2 | STM1024 | Bout M6x16 | Bolt M6x16 |
| 7 | 2 | STM8568 | Gegolfde veerring M6 | Wave spring washer M6 |
| 8 | 1 | STM4055 | Bout M8x16 | Bolt M8x16 |
| 9 | 1 | STM1019 | Gegolfde veerring M8 | Wave spring washer M8 |
| 10 | 1 | STM2005 | Moer M8 | Nut M8 |
| 11 | 1 | STM6050 | Filterkop brandstof M12x1 | Filter heat fuel M12x1 |
| 12 | 1 | STM3690 | Brandstoffilter M16x1,5 | Fuel filter M16x1,5 |
| 13 | 2 | STM1610 | Bout M8x25 | Bout M8x25 |
| 14 | 2 | STM1653 | Ring 8mm | Washer 8mm |
| 15 | 2 | STM1019 | Veerring M8 | Spring washer M8 |
| 16 | 2 | STM2005 | Moer M8 | Nut M8 |
| 17 | 1 | STM9905 | Filterkop motorolie M14x1,5 | Filter heat Engine oil M14x1,5 |
| 18 | 1 | STM9316 | Motorolie filter M20x1,5 | Engine oil filter M20x1,5 |
| 19 | 1 | STM9911 | Adapter | Adaptor |
| 20 | 1 | STM9912 | O-ring 58x3 | O-ring 58x3 |
| 21 | 1 | 08-01404 | Moer M16 -> M20 | Nut M16 -> 20 |
| 22 | 1 | STM9908 | Afdichtring 20mm | Seal washer 20mm |
| 23 | 4 | STM9907 | Afdichtring 16mm | Seal washer M |



M2.02 M2.04 M2.06 M2.C5 M2.D5 **Separaat gemonteerd oliefilter+brandstoffilter+el.br.pomp**

Oil filter+oil filter+el. fuel pump separately installed

| pos. | qty | part | benaming | description |
|------|-----|----------|--------------------------------------|-------------------------------------|
| 24 | 2 | STM8214 | Banjo bout M16x1,5 | Banjo bolt M16x1,5 |
| 25 | 1 | 08-01402 | Slang l=380 filter uit -> adapter in | Hose l=380 filter out -> adaptor in |
| 26 | 4 | STM1062 | Afdichtring 14mm | Seal washer 14mm |
| 27 | 2 | STM3518 | Banjo bout M14x1,5 | Banjo bolt M14x1,5 |
| 28 | 1 | 08-01406 | Slang l=450 adapter uit -> filter in | Hose l=450 adaptor out -> filter in |
| 29 | 1 | VD60090 | Klem | Clamp |
| 30 | 2 | STM9262 | Banjo-oog | Banjo eye |
| 31 | 4 | STM7056 | Afdichtring M12 | Seal washer M12 |
| 32 | 2 | STM8057 | Banjo bout M12x1 | Banjo bolt M12x1 |
| 33 | 1 | 08-01460 | Slang Ø8 L= mm | Hose Ø8 L= mm |
| 34 | 1 | 08-01461 | Slang Ø8 L= mm | Hose Ø8 L= mm |
| 35 | 4 | STM6185 | Klem | Clamp |
| 36 | 1 | 08-01456 | Set compleet | Kit cpl. |
| 37 | 1 | 08-01400 | Steun | Support |
| 38 | 1 | STM4049 | Electrische brandstof pomp | Electric fuel lift pump |
| 39 | 1 | STM4050 | Brandstoffilter | Fuel filter |
| 40 | 1 | STM4037 | Pakking | Gasket |
| 41 | 1 | STM4038 | Pakking | Gasket |
| 41 | 1 | STM4038 | Pakking | Gasket |
| 42 | 2 | STM8372 | Bout M6x25 | Bolt M6x25 |
| 43 | 2 | STM8726 | Sluitring M6 | Plain washer M6 |
| 44 | 2 | STM8129 | Zelfborgende moer M6 | Nyloc nut M6 |
| 45 | 1 | 08-01459 | Verlengdraad (plus 12V) | Extension wire (12V positive) |

Register Index

| art.nr. / part | pag. page | pos. | art.nr. / part | pag. page | pos. | art.nr. / part | pag. page | pos. | art.nr. / part | pag. page | pos. |
|----------------|--------------|------|----------------|--------------|------|----------------|--------------|------|----------------|--------------|------|
| 08-01095 | 4-15 | 15 | 08-01373 | 2-8 | 5 | AD14-16 | 4-18 | 16 | STM1007 | 3-6 | 40 |
| 08-01108 | 3-1 | 15 | 08-01375 | 1-1 | 7 | CT40029 | 4-15 | 8 | STM1007 | 3-8 | 29 |
| 08-01108 | 3-4 | 15 | 08-01375 | 2-8 | 8 | CT40029 | 4-16 | 8 | STM1007 | 3-11 | 29 |
| 08-01141 | 3-9 | 43 | 08-01376 | 1-2 | 9 | CT40029 | 4-17 | 8 | STM1017 | 3-1 | 4 |
| 08-01141 | 10-6 | 16 | 08-01376 | 2-8 | 3 | CT40029 | 4-1 | 12 | STM1017 | 3-4 | 4 |
| 08-01141 | 10-7 | 10 | 08-01377 | 2-8 | 6 | CT40042 | 4-5 | 6 | STM1019 | 2-23 | 5 |
| 08-01141 | 10-8 | 10 | 08-01377 | 6-4 | 25 | CT40075 | 4-3 | 7 | STM1019 | 3-2 | 20 |
| 08-01188 | 10-7 | 1 | 08-01378 | 6-4 | 27 | CT40075 | 4-4 | 7 | STM1019 | 3-5 | 20 |
| 08-01188 | 10-8 | 1 | 08-01379 | 6-4 | 28 | CT40083 | 4-18 | 12 | STM1019 | 3-7 | 17 |
| 08-01190 | 10-7 | 13 | 08-01380 | 6-4 | 29 | CT40131 | 4-8 | 19 | STM1019 | 3-10 | 17 |
| 08-01202 | 10-8 | 18 | 08-01388 | 4-17 | 3 | CT40133 | 4-8 | 9 | STM1019 | 3-14 | 3 |
| 08-01265 | 2-20 | 6 | 08-01389 | 4-17 | 16 | CT40133 | 4-9 | 19 | STM1019 | 3-14 | 5 |
| 08-01266 | 2-20 | 1 | 08-01390 | 4-17 | 17 | LNTACHU | 4-9 | 8 | STM1019 | 3-14 | 7 |
| 08-01267 | 2-20 | 5 | 08-01392 | 4-17 | 13 | LNVOLT12U | 4-9 | 9 | STM1019 | 3-14 | 13 |
| 08-01275 | 2-21 | 1 | 08-01394 | 4-17 | 1 | MITSTEUN | 2-1 | 4 | STM1019 | 3-18 | 4 |
| 08-01275 | 2-22 | 1 | 08-01397 | 10-10 | 5 | MITSTEUN | 5-1 | 15 | STM1019 | 3-20 | 4 |
| 08-01276 | 2-21 | 2 | 08-01397 | 10-12 | 5 | MITSTEUN | 5-3 | 15 | STM1019 | 4-5 | 10 |
| 08-01276 | 2-22 | 2 | 08-01398 | 10-10 | 1 | MITSTEUN | 10-2 | 28 | STM1019 | 4-5 | 12 |
| 08-01277 | 2-21 | 4 | 08-01398 | 10-12 | 1 | MP00 | 4-12 | 1 | STM1019 | 4-21 | 9 |
| 08-01277 | 2-22 | 4 | 08-01399 | 10-10 | 3 | MP10B12 | 4-11 | 10 | STM1019 | 5-1 | 8 |
| 08-01278 | 2-21 | 5 | 08-01399 | 10-12 | 3 | MP22BN12A | 4-9 | 18 | STM1019 | 5-3 | 8 |
| 08-01278 | 2-22 | 5 | 08-01400 | 10-13 | 37 | MP22BS12A | 4-9 | 18 | STM1019 | 5-5 | 6 |
| 08-01279 | 2-21 | 8 | 08-01402 | 10-11 | 25 | P2295RKP | 4-7 | 3 | STM1019 | 5-6 | 6 |
| 08-01279 | 2-22 | 8 | 08-01402 | 10-13 | 25 | P2295RKP | 4-8 | 3 | STM1019 | 6-1 | 14 |
| 08-01280 | 3-14 | 9 | 08-01404 | 10-11 | 21 | P2295RKP | 4-9 | 3 | STM1019 | 10-3 | 14 |
| 08-01281 | 3-14 | 11 | 08-01404 | 10-12 | 21 | P2295RKP | 4-10 | 3 | STM1019 | 10-4 | 17 |
| 08-01285 | 3-14 | 1 | 08-01406 | 10-11 | 28 | P2295RKP | 4-11 | 3 | STM1019 | 10-5 | 14 |
| 08-01286 | 6-3 | 1 | 08-01406 | 10-13 | 28 | P35134RKP | 4-9 | 11 | STM1019 | 10-10 | 9 |
| 08-01289 | 6-4 | 20 | 08-01454 | 10-11 | 36 | P35164RKP | 4-7 | 11 | STM1019 | 10-10 | 15 |
| 08-01290 | 4-5 | 3 | 08-01456 | 10-13 | 36 | P35164RKP | 4-8 | 11 | STM1019 | 10-12 | 9 |
| 08-01292 | 2-21 | 11 | 08-01459 | 10-13 | 45 | P35254ZKP | 4-7 | 15 | STM1019 | 10-12 | 15 |
| 08-01297 | 3-21 | 20 | 08-01460 | 10-11 | 33 | P35254ZKP | 4-8 | 15 | STM1019 | 4-1 | 20 |
| 08-01297 | 6-3 | 13 | 08-01460 | 10-13 | 33 | P35254ZKP | 4-9 | 15 | STM1019 | 4-3 | 11 |
| 08-01302 | 6-4 | 18 | 08-01461 | 10-11 | 34 | P35254ZKP | 4-10 | 9 | STM1019 | 4-4 | 11 |
| 08-01303 | 4-5 | 5 | 08-01461 | 10-13 | 34 | P35254ZKP | 4-11 | 9 | STM1024 | 2-21 | 10 |
| 08-01308 | 1-2 | 8 | 08-01495 | 2-22 | 11 | PA6488 | 4-9 | 10 | STM1024 | 2-22 | 10 |
| 08-01308 | 2-20 | 4 | 08-01496 | 2-22 | 12 | PA6488 | 4-7 | 10 | STM1024 | 4-15 | 7 |
| 08-01310 | 4-5 | 1 | 08-01497 | 4-17 | 15 | PA6488 | 4-8 | 10 | STM1024 | 4-16 | 7 |
| 08-01310 | 4-16 | 13 | 08-01503 | 3-14 | 18 | STM0051 | 1-1 | 5 | STM1024 | 10-3 | 8 |
| 08-01320 | 3-14 | 15 | 15-2318 | 2-23 | 2 | STM0051 | 1-2 | 5 | STM1024 | 10-4 | 8 |
| 08-01320 | 10-11 | 37 | 15-2451 | 2-23 | 1 | STM0051 | 2-6 | 38 | STM1024 | 10-5 | 8 |
| 08-01355 | 3-14 | 16 | 15-2988 | 2-23 | 8 | STM0052 | 1-1 | 8 | STM1024 | 10-10 | 6 |
| 08-01369 | 2-8 | 1 | 19-17130 | 10-14 | 3 | STM0052 | 1-2 | 10 | STM1024 | 10-12 | 6 |
| 08-01371 | 2-8 | 2 | 19-18374 | 10-14 | 1 | STM1006 | 3-1 | 14 | STM1025 | 3-2 | 35 |
| 08-01371 | 3-14 | 17 | 344399.01 | 10-7 | 12 | STM1006 | 3-4 | 14 | STM1025 | 3-6 | 35 |
| 08-01372 | 2-8 | 4 | 344399.01 | 10-8 | 17 | STM1007 | 3-3 | 40 | STM1025 | 3-9 | 37 |

| art.nr. / part | pag. page | pos. | art.nr. / part | pag. page | pos. | art.nr. / part | pag. page | pos. | art.nr. / part | pag. page | pos. |
|----------------|-----------|------|----------------|-----------|------|----------------|-----------|------|----------------|-----------|------|
| STM1025 | 3-12 | 37 | STM1059 | 3-7 | 9 | STM1116 | 2-16 | 12 | STM1154 | 2-6 | 33 |
| STM1025 | 3-21 | 23 | STM1059 | 3-10 | 9 | STM1117 | 2-3 | 19 | STM1155 | 2-6 | 34 |
| STM1025 | 4-1 | 6 | STM1062 | 3-1 | 17 | STM1118 | 2-3 | 21 | STM1155 | 2-17 | 20 |
| STM1025 | 6-1 | 12 | STM1062 | 3-3 | 48 | STM1119 | 2-3 | 22 | STM1156 | 2-6 | 35 |
| STM1025 | 6-3 | 16 | STM1062 | 3-5 | 17 | STM1120 | 2-3 | 23 | STM1157 | 2-6 | 39 |
| STM1025 | 10-3 | 7 | STM1062 | 3-7 | 10 | STM1121 | 2-3 | 24 | STM1158 | 2-6 | 40 |
| STM1025 | 10-4 | 7 | STM1062 | 3-10 | 10 | STM1122 | 2-3 | 26 | STM1159 | 2-9 | 3 |
| STM1025 | 10-5 | 7 | STM1062 | 4-18 | 15 | STM1123 | 2-3 | 27 | STM1160 | 2-9 | 5 |
| STM1027 | 3-1 | 5 | STM1062 | 10-9 | 5 | STM1125 | 2-3 | 30 | STM1162 | 2-9 | 7 |
| STM1027 | 3-4 | 5 | STM1062 | 10-11 | 26 | STM1126 | 2-7 | 32 | STM1163 | 2-9 | 8 |
| STM1027 | 3-13 | 5 | STM1062 | 10-13 | 26 | STM1127 | 2-3 | 33 | STM1164 | 2-9 | 9 |
| STM1030 | 4-17 | 7 | STM1073 | 2-1 | 7 | STM1127 | 3-18 | 7 | STM1166 | 2-9 | 11 |
| STM1030 | 6-1 | 11 | STM1073 | 5-1 | 15 | STM1128 | 2-4 | 35 | STM1167 | 2-9 | 12 |
| STM1030 | 4-1 | 11 | STM1073 | 5-3 | 15 | STM1128 | 3-18 | 9 | STM1168 | 2-9 | 13 |
| STM1035 | 2-10 | 17 | STM1087 | 2-10 | 1 | STM1129 | 2-4 | 36 | STM1169 | 2-9 | 14 |
| STM1035 | 2-11 | 17 | STM1088 | 2-10 | 1 | STM1129 | 3-18 | 11 | STM1170 | 2-9 | 15 |
| STM1035 | 2-12 | 17 | STM1089 | 2-10 | 1 | STM1130 | 3-18 | 10 | STM1171 | 2-9 | 16 |
| STM1054 | 5-1 | 13 | STM1090 | 2-10 | 2 | STM1132 | 2-5 | 1-3 | STM1172 | 2-9 | 17 |
| STM1054 | 5-3 | 13 | STM1091 | 2-10 | 2 | STM1133 | 2-5 | 2 | STM1173 | 2-9 | 18 |
| STM1054 | 10-1 | 10 | STM1092 | 2-10 | 2 | STM1133 | 2-16 | 2 | STM1177 | 2-10 | 5 |
| STM1055 | 4-17 | 2 | STM1093 | 2-2 | 6 | STM1134 | 2-5 | 3 | STM1177 | 2-11 | 5 |
| STM1056 | 2-7 | 6 | STM1094 | 2-9 | 6-9 | STM1135 | 2-5 | 4 | STM1177 | 2-12 | 5 |
| STM1056 | 2-21 | 6 | STM1095 | 2-9 | 10 | STM1135 | 2-16 | 11 | STM1179 | 2-10 | 7 |
| STM1056 | 2-22 | 6 | STM1095 | 2-16 | 1 | STM1136 | 2-5 | 6 | STM1179 | 2-11 | 7 |
| STM1056 | 3-1 | 8 | STM1096 | 2-17 | 26 | STM1137 | 2-5 | 7 | STM1179 | 2-12 | 7 |
| STM1056 | 3-4 | 8 | STM1097 | 2-10 | 4 | STM1138 | 2-5 | 8 | STM1180 | 2-10 | 8 |
| STM1056 | 3-7 | 8 | STM1098 | 3-18 | 6 | STM1139 | 2-5 | 9 | STM1180 | 2-11 | 8 |
| STM1056 | 3-10 | 8 | STM1098 | 6-5 | 1 | STM1140 | 2-5 | 10 | STM1180 | 2-12 | 8 |
| STM1056 | 3-16 | 17 | STM1098 | 6-7 | 25 | STM1141 | 2-5 | 11 | STM1181 | 2-10 | 9 |
| STM1056 | 4-14 | 12 | STM1099 | 6-6 | 7 | STM1142 | 2-5 | 12 | STM1181 | 2-11 | 9 |
| STM1056 | 4-15 | 4 | STM1100 | 2-2 | 1 | STM1143 | 2-5 | 13 | STM1181 | 2-12 | 9 |
| STM1056 | 4-15 | 10 | STM1101 | 2-2 | 2 | STM1143 | 3-19 | 17 | STM1182 | 2-10 | 10 |
| STM1056 | 4-16 | 4 | STM1101 | 2-16 | 7 | STM1143 | 3-20 | 9 | STM1182 | 2-11 | 10 |
| STM1056 | 4-16 | 10 | STM1102 | 2-2 | 3 | STM1144 | 2-5 | 14 | STM1182 | 2-12 | 10 |
| STM1056 | 4-17 | 4 | STM1103 | 2-7 | 4 | STM1144 | 3-19 | 16 | STM1183 | 2-10 | 11 |
| STM1056 | 4-17 | 10 | STM1104 | 2-2 | 5 | STM1144 | 3-20 | 8 | STM1183 | 2-11 | 11 |
| STM1056 | 5-1 | 6 | STM1106 | 2-2 | 7 | STM1145 | 2-5 | 15 | STM1183 | 2-12 | 11 |
| STM1056 | 5-3 | 6 | STM1108 | 2-2 | 9 | STM1145 | 3-19 | 15 | STM1184 | 2-10 | 12 |
| STM1056 | 5-5 | 4 | STM1109 | 2-2 | 10 | STM1145 | 3-20 | 7 | STM1184 | 2-11 | 12 |
| STM1056 | 5-6 | 4 | STM1111 | 2-2 | 12 | STM1146 | 2-5 | 17 | STM1184 | 2-12 | 12 |
| STM1056 | 6-3 | 2 | STM1112 | 2-2 | 13 | STM1147 | 2-5 | 18 | STM1185 | 2-10 | 13 |
| STM1056 | 10-1 | 5 | STM1113 | 2-2 | 14 | STM1147 | 2-16 | 13 | STM1185 | 2-11 | 13 |
| STM1056 | 10-3 | 17 | STM1113 | 2-16 | 10 | STM1148 | 2-6 | 19 | STM1185 | 2-12 | 13 |
| STM1056 | 10-4 | 20 | STM1114 | 2-2 | 16 | STM1149 | 2-6 | 20 | STM1186 | 2-10 | 14 |
| STM1056 | 10-5 | 17 | STM1114 | 2-17 | 19 | STM1149 | 2-16 | 16 | STM1186 | 2-11 | 14 |
| STM1056 | 3-15 | 4 | STM1114 | 3-18 | 14 | STM1150 | 2-6 | 26 | STM1186 | 2-12 | 14 |
| STM1059 | 3-1 | 16 | STM1115 | 2-2 | 17 | STM1151 | 2-6 | 29 | STM1187 | 2-10 | 16 |
| STM1059 | 3-4 | 16 | STM1116 | 2-3 | 18 | STM1153 | 2-6 | 32 | STM1187 | 2-11 | 16 |

| art.nr. / part | pag. page | pos. | art.nr. / part | pag. page | pos. | art.nr. / part | pag. page | pos. | art.nr. / part | pag. page | pos. |
|----------------|-----------|------|----------------|-----------|------|----------------|-----------|------|----------------|-----------|------|
| STM1187 | 2-12 | 16 | STM1229 | 3-20 | 11 | STM1303 | 6-5 | 15 | STM1353 | 6-9 | 18 |
| STM1189 | 2-13 | 2 | STM1230 | 2-16 | 9 | STM1304 | 6-5 | 16 | STM1354 | 2-17 | 21 |
| STM1190 | 2-13 | 3 | STM1230 | 3-17 | 5 | STM1305 | 6-6 | 1 | STM1354 | 6-9 | 24 |
| STM1191 | 2-13 | 4 | STM1230 | 3-19 | 20 | STM1306 | 6-6 | 2 | STM1355 | 6-10 | 45 |
| STM1192 | 2-13 | 5 | STM1230 | 3-20 | 12 | STM1307 | 6-6 | 3 | STM1356 | 6-9 | 25 |
| STM1193 | 2-13 | 6 | STM1231 | 3-17 | 6 | STM1308 | 6-6 | 4 | STM1357 | 6-9 | 26 |
| STM1195 | 2-13 | 9 | STM1231 | 3-19 | 21 | STM1309 | 6-6 | 5 | STM1358 | 6-9 | 27 |
| STM1196 | 2-13 | 10 | STM1231 | 3-20 | 13 | STM1310 | 6-6 | 6 | STM1359 | 6-9 | 28 |
| STM1198 | 2-13 | 1 | STM1232 | 3-17 | 8 | STM1312 | 6-6 | 8 | STM1360 | 6-9 | 29 |
| STM1198 | 2-13 | 7 | STM1232 | 3-19 | 23 | STM1313 | 6-6 | 9 | STM1361 | 6-9 | 30 |
| STM1198 | 2-13 | 12 | STM1232 | 3-20 | 15 | STM1314 | 6-6 | 10 | STM1362 | 6-9 | 31 |
| STM1199 | 2-13 | 13 | STM1233 | 3-17 | 9 | STM1315 | 6-6 | 11 | STM1363 | 6-9 | 32 |
| STM1200 | 2-13 | 14 | STM1233 | 3-19 | 24 | STM1316 | 6-6 | 12 | STM1364 | 6-9 | 33 |
| STM1201 | 2-13 | 15 | STM1233 | 3-20 | 16 | STM1317 | 6-6 | 12 | STM1365 | 6-9 | 35 |
| STM1202 | 2-13 | 16 | STM1234 | 3-17 | 14 | STM1318 | 6-6 | 12 | STM1366 | 6-9 | 36 |
| STM1203 | 2-14 | 17 | STM1235 | 2-17 | 23 | STM1319 | 6-6 | 12 | STM1367 | 6-10 | 37 |
| STM1204 | 2-14 | 18 | STM1235 | 3-17 | 15 | STM1320 | 6-6 | 12 | STM1368 | 6-10 | 38 |
| STM1205 | 2-14 | 19 | STM1236 | 3-17 | 17 | STM1321 | 6-6 | 12 | STM1369 | 6-10 | 39 |
| STM1206 | 2-14 | 20 | STM1237 | 3-17 | 18 | STM1322 | 6-6 | 12 | STM1370 | 6-10 | 40 |
| STM1207 | 2-14 | 24 | STM1238 | 3-17 | 19 | STM1323 | 6-6 | 12 | STM1371 | 6-10 | 41 |
| STM1208 | 2-14 | 25 | STM1238 | 10-7 | 2 | STM1324 | 6-7 | 12 | STM1372 | 6-10 | 42 |
| STM1209 | 2-14 | 26 | STM1238 | 10-8 | 2 | STM1325 | 6-7 | 12 | STM1373 | 6-10 | 43 |
| STM1210 | 2-14 | 27 | STM1241 | 4-13 | 1 | STM1326 | 6-7 | 12 | STM1374 | 2-16 | 8 |
| STM1211 | 2-14 | 28 | STM1242 | 4-14 | 4 | STM1327 | 6-7 | 12 | STM1374 | 6-10 | 44 |
| STM1212 | 2-14 | 29 | STM1243 | 4-14 | 5 | STM1328 | 6-7 | 12 | STM1375 | 4-18 | 3 |
| STM1213 | 2-14 | 31 | STM1244 | 4-14 | 8 | STM1329 | 6-7 | 12 | STM1377 | 6-11 | 1 |
| STM1214 | 2-14 | 32 | STM1245 | 4-14 | 9 | STM1330 | 6-7 | 13 | STM1378 | 6-11 | 2 |
| STM1215 | 2-15 | 34 | STM1246 | 4-14 | 11 | STM1331 | 6-7 | 19 | STM1379 | 6-11 | 2 |
| STM1216 | 2-15 | 35 | STM1247 | 4-14 | 13 | STM1332 | 6-7 | 20 | STM1380 | 6-11 | 2 |
| STM1217 | 2-15 | 36 | STM1250 | 4-13 | 3 | STM1333 | 6-7 | 21 | STM1381 | 6-11 | 2 |
| STM1218 | 2-15 | 38 | STM1288 | 6-5 | 2 | STM1334 | 6-7 | 22 | STM1382 | 6-11 | 2 |
| STM1219 | 2-15 | 39 | STM1289 | 6-5 | 2 | STM1335 | 6-7 | 23 | STM1383 | 6-11 | 2 |
| STM1220 | 2-15 | 40 | STM1290 | 6-5 | 2 | STM1336 | 6-7 | 24 | STM1384 | 6-11 | 2 |
| STM1221 | 2-15 | 41 | STM1291 | 6-5 | 2 | STM1337 | 6-8 | 1 | STM1385 | 6-11 | 2 |
| STM1222 | 2-18 | 1 | STM1292 | 6-5 | 2 | STM1338 | 6-8 | 2 | STM1386 | 6-11 | 2 |
| STM1223 | 2-18 | 2 | STM1293 | 6-5 | 2 | STM1339 | 6-8 | 4 | STM1387 | 10-2 | 35 |
| STM1224 | 2-18 | 4 | STM1294 | 6-5 | 2 | STM1340 | 6-8 | 6 | STM1388 | 6-11 | 3 |
| STM1225 | 2-18 | 5 | STM1295 | 6-5 | 2 | STM1341 | 6-8 | 7 | STM1389 | 6-11 | 4 |
| STM1226 | 2-16 | 14 | STM1296 | 6-5 | 2 | STM1342 | 6-8 | 8 | STM1390 | 6-11 | 5 |
| STM1226 | 2-18 | 8 | STM1297 | 6-5 | 3 | STM1343 | 6-8 | 9 | STM1391 | 6-11 | 6 |
| STM1227 | 3-17 | 2 | STM1298 | 6-5 | 4 | STM1344 | 6-8 | 10 | STM1392 | 6-11 | 7 |
| STM1227 | 3-19 | 26 | STM1298 | 6-11 | 8 | STM1345 | 6-8 | 11 | STM1394 | 2-3 | 29 |
| STM1227 | 3-21 | 18 | STM1299 | 2-16 | 17 | STM1346 | 6-8 | 12 | STM1395 | 2-3 | 29 |
| STM1228 | 3-17 | 3 | STM1299 | 6-5 | 5 | STM1347 | 6-8 | 13 | STM1396 | 2-3 | 29 |
| STM1228 | 3-19 | 27 | STM1300 | 6-5 | 6 | STM1348 | 6-8 | 14 | STM1397 | 2-12 | 1 |
| STM1228 | 3-21 | 19 | STM1301 | 6-5 | 7 | STM1349 | 6-8 | 15 | STM1398 | 2-12 | 1 |
| STM1229 | 3-17 | 4 | STM1302 | 6-5 | 14 | STM1351 | 6-8 | 16 | STM1399 | 2-12 | 1 |
| STM1229 | 3-19 | 19 | STM1303 | 2-17 | 22 | STM1352 | 6-9 | 17 | STM1406 | 2-2 | 6 |

| art.nr. / part | pag. page | pos. | art.nr. / part | pag. page | pos. | art.nr. / part | pag. page | pos. | art.nr. / part | pag. page | pos. |
|----------------|-----------|------|----------------|-----------|------|----------------|-----------|------|----------------|-----------|------|
| STM1407 | 2-2 | 6 | STM1610 | 5-6 | 5 | STM2005 | 3-16 | 18 | STM2507 | 5-1 | 9 |
| STM1408 | 2-9 | 6-9 | STM1610 | 10-10 | 13 | STM2005 | 3-18 | 5 | STM2507 | 5-3 | 9 |
| STM1409 | 2-9 | 10 | STM1610 | 10-12 | 13 | STM2005 | 3-20 | 5 | STM2507 | 5-5 | 7 |
| STM1409 | 2-16 | 1 | STM1620 | 4-14 | 6 | STM2005 | 4-5 | 11 | STM2507 | 5-6 | 7 |
| STM1410 | 2-6 | 41 | STM1651 | 10-1 | 4 | STM2005 | 4-15 | 5 | STM2507 | 10-1 | 7 |
| STM1411 | 2-9 | 6-9 | STM1651 | 10-3 | 13 | STM2005 | 4-16 | 5 | STM2507 | 10-4 | 12 |
| STM1412 | 2-9 | 10 | STM1651 | 10-4 | 16 | STM2005 | 4-17 | 5 | STM2510 | 2-3 | 25 |
| STM1412 | 2-16 | 1 | STM1651 | 10-5 | 13 | STM2005 | 10-10 | 10 | STM2513 | 2-3 | 28 |
| STM1413 | 2-11 | 1 | STM1652 | 2-6 | 30 | STM2005 | 10-10 | 16 | STM2588 | 2-14 | 22 |
| STM1414 | 2-11 | 1 | STM1653 | 10-10 | 14 | STM2005 | 10-12 | 10 | STM2589 | 2-14 | 23 |
| STM1415 | 2-11 | 1 | STM1653 | 10-12 | 14 | STM2005 | 10-12 | 16 | STM2589 | 2-16 | 3 |
| STM1419 | 2-11 | 4 | STM1660 | 4-14 | 3 | STM2005 | 4-21 | 7 | STM2719 | 6-8 | 5 |
| STM1420 | 2-12 | 4 | STM1703 | 4-19 | 1 | STM2006 | 3-3 | 42 | STM2720 | 6-8 | 3 |
| STM1421 | 2-10 | 3 | STM1703 | 4-20 | 1 | STM2006 | 3-6 | 42 | STM2737 | 6-9 | 34 |
| STM1421 | 2-11 | 3 | STM1703 | 4-21 | 1 | STM2006 | 4-18 | 10 | STM2742 | 4-18 | 2 |
| STM1421 | 2-12 | 3 | STM1703 | 10-2 | 20 | STM2012 | 3-2 | 28 | STM3012 | 2-19 | 7 |
| STM1422 | 2-10 | 3 | STM1704 | 4-19 | 2 | STM2012 | 3-5 | 28 | STM3066 | 4-2 | 35 |
| STM1422 | 2-11 | 3 | STM1704 | 4-20 | 2 | STM2012 | 3-14 | 10 | STM3066 | 4-3 | 13 |
| STM1422 | 2-12 | 3 | STM1704 | 4-21 | 2 | STM2012 | 3-14 | 12 | STM3066 | 4-4 | 13 |
| STM1423 | 2-10 | 3 | STM1704 | 10-2 | 21 | STM2012 | 3-13 | 7 | STM3255 | 3-18 | 13 |
| STM1423 | 2-11 | 3 | STM1705 | 4-1 | 5 | STM2018 | 3-3 | 39 | STM3260 | 2-4 | 34 |
| STM1423 | 2-12 | 3 | STM1705 | 4-21 | 12 | STM2018 | 3-3 | 45 | STM3260 | 3-18 | 8 |
| STM1424 | 2-17 | 26 | STM1705 | 10-2 | 22 | STM2018 | 3-6 | 39 | STM3260 | 4-1 | 13 |
| STM1425 | 2-17 | 26 | STM1705 | 4-1 | 18 | STM2018 | 3-8 | 21 | STM3353 | 2-7 | 4 |
| STM1426 | 3-18 | 6 | STM1705 | 4-3 | 9 | STM2018 | 3-11 | 21 | STM3355 | 2-4 | 39 |
| STM1426 | 3-20 | 6 | STM1705 | 4-4 | 9 | STM2018 | 10-6 | 2 | STM3355 | 3-1 | 7 |
| STM1426 | 6-5 | 1 | STM1707 | 4-21 | 13 | STM2018 | 10-8 | 15 | STM3355 | 3-4 | 7 |
| STM1426 | 6-7 | 25 | STM1707 | 10-1 | 14 | STM2019 | 2-23 | 4 | STM3355 | 3-7 | 7 |
| STM1427 | 3-18 | 6 | STM1707 | 4-1 | 4 | STM2019 | 3-3 | 43 | STM3355 | 3-10 | 7 |
| STM1427 | 6-5 | 1 | STM1707 | 4-1 | 17 | STM2019 | 3-6 | 43 | STM3355 | 3-14 | 4 |
| STM1427 | 6-7 | 25 | STM1806 | 10-2 | 23 | STM2019 | 4-18 | 11 | STM3355 | 4-5 | 9 |
| STM1428 | 6-6 | 7 | STM1806 | 4-19 | 4 | STM2022 | 2-1 | 3 | STM3355 | 4-15 | 9 |
| STM1429 | 6-6 | 7 | STM1806 | 4-20 | 4 | STM2022 | 2-10 | 18 | STM3355 | 4-16 | 9 |
| STM1430 | 2-12 | 2 | STM1806 | 4-21 | 4 | STM2022 | 2-11 | 18 | STM3355 | 4-17 | 9 |
| STM1431 | 2-12 | 2 | STM1807 | 4-19 | 3 | STM2022 | 2-12 | 18 | STM3355 | 2-19 | 8 |
| STM1432 | 2-12 | 2 | STM1807 | 4-20 | 5 | STM2022 | 6-4 | 19 | STM3355 | 4-1 | 19 |
| STM1436 | 2-11 | 2 | STM1807 | 4-21 | 3 | STM2022 | 10-1 | 13 | STM3355 | 4-3 | 10 |
| STM1437 | 2-11 | 2 | STM1807 | 10-2 | 24 | STM2022 | 10-3 | 11 | STM3355 | 4-4 | 10 |
| STM1438 | 2-11 | 2 | STM1808 | 4-19 | 5 | STM2022 | 10-4 | 13 | STM3518 | 3-3 | 47 |
| STM1439 | 6-10 | 46 | STM1808 | 4-20 | 6 | STM2022 | 10-5 | 11 | STM3518 | 10-9 | 6 |
| STM1440 | 6-10 | 47 | STM1808 | 4-21 | 5 | STM2258 | 2-4 | 38 | STM3518 | 10-11 | 27 |
| STM1441 | 6-9 | 33 | STM1808 | 10-2 | 25 | STM2258 | 2-7 | 7 | STM3518 | 10-13 | 27 |
| STM1515 | 3-4 | 3 | STM1851 | 4-21 | 6 | STM2258 | 3-18 | 12 | STM3528 | 5-1 | 14 |
| STM1610 | 2-6 | 31 | STM1852 | 4-21 | 10 | STM2260 | 2-5 | 16 | STM3528 | 5-3 | 14 |
| STM1610 | 4-21 | 8 | STM2005 | 2-21 | 7 | STM2260 | 3-19 | 18 | STM3528 | 10-1 | 11 |
| STM1610 | 5-1 | 7 | STM2005 | 2-22 | 7 | STM2260 | 3-20 | 10 | STM3546 | 2-2 | 11 |
| STM1610 | 5-3 | 7 | STM2005 | 2-23 | 6 | STM2387 | 4-18 | 4 | STM3549 | 2-3 | 31 |
| STM1610 | 5-5 | 5 | STM2005 | 3-15 | 5 | STM2507 | 2-4 | 41 | STM3555 | 2-5 | 5 |

| art.nr. / part | pag. page | pos. | art.nr. / part | pag. page | pos. | art.nr. / part | pag. page | pos. | art.nr. / part | pag. page | pos. |
|----------------|-----------|------|----------------|-----------|------|----------------|-----------|------|----------------|-----------|------|
| STM3562 | 2-6 | 28 | STM3762 | 4-2 | 30 | STM4050 | 1-2 | 7 | STM6050 | 10-12 | 11 |
| STM3565 | 2-6 | 36 | STM3762 | 4-3 | 19 | STM4050 | 10-13 | 39 | STM6101 | 2-1 | 1 |
| STM3565 | 2-9 | 1 | STM3762 | 4-6 | 7 | STM4055 | 2-8 | 7 | STM6102 | 2-1 | 2 |
| STM3566 | 2-4 | 37 | STM3767 | 4-21 | 11 | STM4055 | 2-23 | 7 | STM6103 | 5-1 | 1 |
| STM3566 | 2-6 | 37 | STM3773 | 5-4 | 21 | STM4055 | 3-14 | 2 | STM6104 | 5-1 | 10 |
| STM3566 | 2-9 | 2 | STM3779 | 6-3 | 5 | STM4055 | 3-14 | 14 | STM6104 | 5-3 | 10 |
| STM3586 | 2-10 | 6 | STM3796 | 3-3 | 41 | STM4055 | 4-5 | 13 | STM6104 | 5-5 | 9 |
| STM3586 | 2-11 | 6 | STM3796 | 3-6 | 41 | STM4055 | 6-3 | 3 | STM6104 | 5-6 | 9 |
| STM3586 | 2-12 | 6 | STM3796 | 3-8 | 30 | STM4055 | 10-3 | 18 | STM6104 | 10-1 | 8 |
| STM3600 | 2-10 | 15 | STM3796 | 3-11 | 30 | STM4055 | 10-4 | 21 | STM6105 | 5-3 | 2 |
| STM3600 | 2-11 | 15 | STM3796 | 6-3 | 6 | STM4055 | 10-5 | 18 | STM6105 | 10-1 | 1 |
| STM3600 | 2-12 | 15 | STM3796 | 10-9 | 3 | STM4055 | 10-10 | 8 | STM6106 | 5-1 | 3 |
| STM3604 | 2-13 | 8 | STM3797 | 6-1 | 2 | STM4055 | 10-12 | 8 | STM6106 | 5-5 | 2 |
| STM3612 | 2-14 | 30 | STM3797 | 10-9 | 2 | STM4056 | 2-1 | 10 | STM6106 | 5-6 | 2 |
| STM3613 | 2-15 | 33 | STM3890 | 4-12 | 3 | STM4056 | 5-1 | 11 | STM6106 | 10-1 | 2 |
| STM3614 | 2-15 | 37 | STM3930 | 4-14 | 8 | STM4056 | 5-3 | 11 | STM6107 | 5-3 | 4 |
| STM3620 | 2-14 | 21 | STM3967 | 10-7 | 3 | STM4056 | 5-5 | 10 | STM6108 | 3-1 | 3 |
| STM3683 | 4-14 | 10 | STM3967 | 10-8 | 3 | STM4056 | 5-6 | 10 | STM6109 | 3-15 | 1 |
| STM3690 | 1-1 | 3 | STM4010 | 2-1 | 5 | STM4056 | 10-1 | 9 | STM6109 | 3-16 | 16 |
| STM3690 | 1-2 | 3 | STM4010 | 5-1 | 16 | STM4061 | 6-1 | 8 | STM6109 | 3-18 | 1 |
| STM3690 | 6-1 | 5 | STM4010 | 5-3 | 16 | STM4061 | 6-3 | 11 | STM6109 | 3-20 | 1 |
| STM3690 | 6-3 | 8 | STM4010 | 10-2 | 26 | STM4104 | 10-3 | 16 | STM6111 | 5-1 | 5 |
| STM3690 | 10-10 | 12 | STM4011 | 2-1 | 6 | STM4104 | 10-4 | 19 | STM6111 | 5-3 | 5 |
| STM3690 | 10-12 | 12 | STM4011 | 5-1 | 17 | STM4104 | 10-5 | 16 | STM6111 | 5-5 | 3 |
| STM3695 | 3-3 | 49 | STM4011 | 5-4 | 17 | STM4537 | 4-15 | 3 | STM6111 | 5-6 | 3 |
| STM3696 | 6-1 | 3 | STM4011 | 10-2 | 27 | STM4537 | 4-16 | 3 | STM6112 | 3-2 | 33 |
| STM3705 | 4-5 | 14 | STM4013 | 2-10 | 19 | STM4591 | 6-4 | 30 | STM6112 | 3-5 | 33 |
| STM3705 | 10-14 | 2 | STM4013 | 2-11 | 19 | STM4593 | 4-5 | 8 | STM6112 | 3-9 | 35 |
| STM3712 | 4-2 | 29 | STM4013 | 2-12 | 19 | STM4614 | 1-2 | 1 | STM6112 | 3-12 | 35 |
| STM3712 | 4-3 | 18 | STM4013 | 4-13 | 2 | STM4614 | 4-5 | 4 | STM6113 | 1-1 | 2 |
| STM3712 | 4-6 | 6 | STM4013 | 6-1 | 7 | STM5103 | 5-2 | 18 | STM6113 | 1-2 | 2 |
| STM3713 | 4-2 | 28 | STM4014 | 10-1 | 18 | STM5162 | 5-2 | 18 | STM6113 | 3-1 | 10 |
| STM3713 | 4-3 | 17 | STM4014 | 10-10 | 4 | STM5163 | 5-2 | 18 | STM6113 | 3-4 | 10 |
| STM3714 | 4-2 | 26 | STM4014 | 10-12 | 4 | STM5171 | 5-2 | 22 | STM6114 | 2-19 | 4 |
| STM3714 | 4-3 | 15 | STM4016 | 6-3 | 10 | STM5176 | 5-2 | 21 | STM6115 | 6-1 | 6 |
| STM3715 | 4-2 | 27 | STM4018 | 6-1 | 9 | STM5177 | 5-2 | 21 | STM6116 | 3-2 | 30 |
| STM3715 | 4-3 | 16 | STM4018 | 6-3 | 12 | STM5352 | 5-2 | 18 | STM6116 | 3-5 | 30 |
| STM3736 | 10-6 | 11 | STM4018 | 10-1 | 15 | STM5353 | 5-2 | 18 | STM6116 | 3-8 | 32 |
| STM3749 | 4-14 | 7 | STM4018 | 10-2 | 19 | STM5402 | 5-2 | 18 | STM6116 | 3-9 | 41 |
| STM3749 | 4-15 | 11 | STM4018 | 10-3 | 12 | STM5403 | 5-2 | 18 | STM6116 | 3-11 | 32 |
| STM3749 | 4-16 | 11 | STM4018 | 10-4 | 14 | STM5442 | 5-2 | 18 | STM6116 | 3-12 | 41 |
| STM3749 | 4-17 | 11 | STM4018 | 10-5 | 12 | STM5443 | 5-2 | 18 | STM6116 | 3-13 | 6 |
| STM3749 | 2-19 | 9 | STM4037 | 10-13 | 40 | STM5900 | 10-2 | 30 | STM6117 | 3-2 | 22 |
| STM3750 | 3-7 | 3 | STM4038 | 10-13 | 41 | STM6049 | 6-3 | 7 | STM6117 | 3-5 | 22 |
| STM3750 | 3-10 | 3 | STM4038 | 10-13 | 41 | STM6049 | 6-1 | 4 | STM6118 | 3-3 | 36 |
| STM3750 | 10-6 | 13 | STM4043 | 3-7 | 5 | STM6050 | 6-1 | 1 | STM6118 | 3-6 | 36 |
| STM3758 | 5-4 | 20 | STM4043 | 3-10 | 5 | STM6050 | 6-3 | 4 | STM6118 | 3-9 | 38 |
| STM3760 | 5-4 | 20 | STM4049 | 10-13 | 38 | STM6050 | 10-10 | 11 | STM6118 | 3-12 | 38 |

| art.nr. / part | pag. page | pos. | art.nr. / part | pag. page | pos. | art.nr. / part | pag. page | pos. | art.nr. / part | pag. page | pos. |
|----------------|-----------|------|----------------|-----------|------|----------------|-----------|------|----------------|-----------|------|
| STM6119 | 2-19 | 1 | STM6147 | 3-3 | 38 | STM6178 | 3-9 | 42 | STM6229 | 4-3 | 12 |
| STM6120 | 2-18 | 7 | STM6147 | 3-6 | 38 | STM6178 | 3-12 | 42 | STM6231 | 4-2 | 34 |
| STM6120 | 2-19 | 5 | STM6152 | 3-2 | 23 | STM6178 | 3-13 | 2 | STM6235 | 3-3 | 50 |
| STM6120 | 2-20 | 2 | STM6152 | 3-5 | 23 | STM6179 | 3-7 | 13 | STM6235 | 10-6 | 15 |
| STM6121 | 3-2 | 19 | STM6152 | 3-7 | 12 | STM6179 | 3-10 | 13 | STM6236 | 3-9 | 40 |
| STM6121 | 3-5 | 19 | STM6152 | 3-10 | 12 | STM6180 | 6-1 | 10 | STM6236 | 3-12 | 40 |
| STM6121 | 3-8 | 18 | STM6155 | 2-6 | 27 | STM6185 | 6-2 | 22 | STM6238 | 4-21 | 14 |
| STM6121 | 3-11 | 18 | STM6155 | 3-2 | 34 | STM6185 | 6-4 | 24 | STM6240 | 2-19 | 2 |
| STM6121 | 4-15 | 2 | STM6155 | 3-6 | 34 | STM6185 | 10-11 | 35 | STM6241 | 2-19 | 3 |
| STM6121 | 4-16 | 2 | STM6155 | 3-9 | 36 | STM6185 | 10-13 | 35 | STM6246 | 4-3 | 1 |
| STM6123 | 3-13 | 3 | STM6155 | 3-12 | 36 | STM6186 | 6-2 | 23 | STM6246 | 4-4 | 1 |
| STM6124 | 3-2 | 27 | STM6155 | 3-17 | 7 | STM6186 | 6-4 | 26 | STM6248 | 4-3 | 2 |
| STM6124 | 3-5 | 27 | STM6155 | 3-19 | 22 | STM6189 | 6-2 | 18 | STM6248 | 4-4 | 2 |
| STM6124 | 3-13 | 4 | STM6155 | 3-20 | 14 | STM6190 | 6-2 | 19 | STM6249 | 3-16 | 2 |
| STM6126 | 3-2 | 24 | STM6156 | 3-3 | 37 | STM6191 | 6-2 | 20 | STM6250 | 3-2 | 31 |
| STM6126 | 3-5 | 24 | STM6156 | 3-6 | 37 | STM6192 | 6-2 | 21 | STM6250 | 3-5 | 31 |
| STM6126 | 3-7 | 14 | STM6156 | 3-9 | 39 | STM6196 | 3-3 | 46 | STM6250 | 3-8 | 33 |
| STM6126 | 3-10 | 14 | STM6156 | 3-12 | 39 | STM6198 | 3-8 | 20 | STM6250 | 3-11 | 33 |
| STM6126 | 3-15 | 3 | STM6157 | 3-2 | 18 | STM6198 | 3-11 | 20 | STM6250 | 3-17 | 13 |
| STM6126 | 3-16 | 10 | STM6157 | 3-5 | 18 | STM6198 | 10-6 | 3 | STM6251 | 2-17 | 24 |
| STM6126 | 3-18 | 3 | STM6157 | 3-7 | 11 | STM6198 | 10-8 | 16 | STM6251 | 3-2 | 32 |
| STM6126 | 3-20 | 3 | STM6157 | 3-10 | 11 | STM6199 | 3-3 | 44 | STM6251 | 3-5 | 32 |
| STM6127 | 3-15 | 2 | STM6158 | 2-19 | 3 | STM6199 | 3-8 | 22 | STM6251 | 3-9 | 34 |
| STM6127 | 3-16 | 8 | STM6160 | 3-15 | 6 | STM6199 | 3-11 | 22 | STM6251 | 3-12 | 34 |
| STM6127 | 3-18 | 2 | STM6161 | 3-16 | 5 | STM6199 | 10-6 | 1 | STM6251 | 3-17 | 12 |
| STM6127 | 3-20 | 2 | STM6162 | 3-15 | 8 | STM6201 | 5-3 | 12 | STM6252 | 2-16 | 15 |
| STM6128 | 3-1 | 9 | STM6162 | 3-16 | 14 | STM6203 | 4-2 | 21 | STM6252 | 2-18 | 10 |
| STM6128 | 3-4 | 9 | STM6163 | 3-15 | 9 | STM6204 | 4-7 | 13 | STM6252 | 3-2 | 21 |
| STM6131 | 3-1 | 12 | STM6164 | 3-15 | 10 | STM6204 | 4-8 | 13 | STM6252 | 3-5 | 21 |
| STM6131 | 3-4 | 12 | STM6166 | 3-15 | 12 | STM6207 | 4-8 | 18 | STM6252 | 3-8 | 19 |
| STM6133 | 2-19 | 2 | STM6167 | 3-15 | 13 | STM6208 | 4-7 | 17 | STM6252 | 3-11 | 19 |
| STM6134 | 4-1 | 1 | STM6168 | 3-16 | 7 | STM6209 | 4-8 | 17 | STM6253 | 4-1 | 10 |
| STM6135 | 4-1 | 2 | STM6168 | 3-15 | 14 | STM6211 | 4-10 | 7 | STM6254 | 2-9 | 4 |
| STM6138 | 3-2 | 29 | STM6169 | 3-16 | 6 | STM6212 | 4-10 | 10 | STM6254 | 3-1 | 6 |
| STM6138 | 3-5 | 29 | STM6169 | 3-15 | 15 | STM6216 | 10-1 | 12 | STM6254 | 3-4 | 6 |
| STM6138 | 3-8 | 31 | STM6170 | 3-16 | 12 | STM6219 | 10-1 | 3 | STM6254 | 3-7 | 6 |
| STM6138 | 3-11 | 31 | STM6170 | 3-15 | 16 | STM6222 | 4-12 | 5 | STM6254 | 3-10 | 6 |
| STM6138 | 3-13 | 1 | STM6171 | 3-16 | 1 | STM6222 | 4-2 | 25 | STM6254 | 3-14 | 6 |
| STM6139 | 2-19 | 6 | STM6171 | 3-15 | 17 | STM6223 | 4-2 | 25 | STM6255 | 6-2 | 25 |
| STM6139 | 2-20 | 3 | STM6172 | 3-15 | 18 | STM6223 | 4-12 | 5 | STM6255 | 6-7 | 18 |
| STM6140 | 3-1 | 2 | STM6172 | 3-16 | 11 | STM6224 | 4-2 | 25 | STM6256 | 6-2 | 24 |
| STM6140 | 3-4 | 2 | STM6173 | 3-16 | 13 | STM6224 | 4-12 | 5 | STM6256 | 6-7 | 17 |
| STM6142 | 3-1 | 1 | STM6173 | 3-15 | 19 | STM6225 | 4-2 | 25 | STM6257 | 6-2 | 26 |
| STM6142 | 3-4 | 1 | STM6174 | 3-15 | 20 | STM6225 | 4-12 | 5 | STM6257 | 6-7 | 16 |
| STM6143 | 4-2 | 23 | STM6176 | 3-7 | 2 | STM6226 | 10-2 | 29 | STM6258 | 6-2 | 27 |
| STM6144 | 4-2 | 24 | STM6176 | 3-10 | 2 | STM6227 | 2-19 | 2 | STM6258 | 6-7 | 15 |
| STM6145 | 4-2 | 22 | STM6177 | 3-7 | 1 | STM6228 | 2-19 | 3 | STM6259 | 6-2 | 28 |
| STM6146 | 4-1 | 3 | STM6177 | 3-10 | 1 | STM6229 | 4-2 | 33 | STM6259 | 6-7 | 14 |

| art.nr. / part | pag. page | pos. | art.nr. / part | pag. page | pos. | art.nr. / part | pag. page | pos. | art.nr. / part | pag. page | pos. |
|----------------|-----------|------|----------------|-----------|------|----------------|-----------|------|----------------|-----------|------|
| STM6263 | 3-17 | 10 | STM6909 | 10-2 | 33 | STM7602 | 10-5 | 5 | STM8372 | 3-21 | 21 |
| STM6263 | 3-19 | 25 | STM6910 | 10-2 | 34 | STM7603 | 10-3 | 6 | STM8372 | 6-3 | 14 |
| STM6263 | 4-14 | 14 | STM6912 | 4-9 | 2 | STM7603 | 10-4 | 6 | STM8372 | 10-13 | 42 |
| STM6264 | 4-18 | 1 | STM6918 | 4-9 | 13 | STM7603 | 10-5 | 6 | STM8390 | 4-5 | 15 |
| STM6265 | 4-18 | 5 | STM6920 | 4-11 | 7 | STM7604 | 10-4 | 11 | STM8391 | 10-4 | 15 |
| STM6266 | 4-18 | 6 | STM6921 | 4-4 | 12 | STM7606 | 10-4 | 1 | STM8568 | 10-10 | 7 |
| STM6267 | 4-18 | 7 | STM6941 | 4-6 | 1 | STM7606 | 10-5 | 1 | STM8568 | 10-12 | 7 |
| STM6268 | 3-17 | 21 | STM6942 | 4-6 | 1 | STM7607 | 10-3 | 2 | STM8569 | 3-21 | 24 |
| STM6268 | 4-18 | 8 | STM6943 | 4-6 | 1 | STM7608 | 10-4 | 2 | STM8569 | 6-3 | 17 |
| STM6269 | 2-17 | 25 | STM6944 | 4-6 | 1 | STM7608 | 10-5 | 2 | STM8726 | 2-21 | 3 |
| STM6269 | 3-17 | 20 | STM6945 | 4-6 | 2 | STM7611 | 10-3 | 4 | STM8726 | 2-22 | 3 |
| STM6269 | 4-18 | 9 | STM6946 | 4-6 | 2 | STM7612 | 10-3 | 9 | STM8726 | 3-21 | 22 |
| STM6269 | 4-18 | 17 | STM6947 | 4-6 | 2 | STM7612 | 10-4 | 9 | STM8726 | 6-3 | 15 |
| STM6275 | 4-2 | 31 | STM6948 | 4-6 | 2 | STM7614 | 10-3 | 15 | STM8726 | 10-13 | 43 |
| STM6276 | 4-2 | 32 | STM7056 | 6-1 | 16 | STM7615 | 10-3 | 10 | STM9050 | 4-5 | 2 |
| STM6277 | 4-14 | 1 | STM7056 | 6-4 | 21 | STM7616 | 10-4 | 4 | STM9050 | 4-1 | 15 |
| STM6278 | 4-14 | 2 | STM7056 | 10-11 | 31 | STM7616 | 10-5 | 4 | STM9050 | 4-3 | 6 |
| STM6279 | 2-4 | 40 | STM7056 | 10-13 | 31 | STM7617 | 10-5 | 9 | STM9050 | 4-4 | 6 |
| STM6279 | 5-2 | 19 | STM7059 | 3-14 | 8 | STM7618 | 10-5 | 10 | STM9052 | 4-1 | 14 |
| STM6279 | 5-4 | 19 | STM7059 | 5-6 | 5 | STM7619 | 10-5 | 15 | STM9052 | 4-3 | 5 |
| STM6279 | 5-5 | 8 | STM7059 | 5-6 | 5 | STM7620 | 10-4 | 10 | STM9052 | 4-4 | 5 |
| STM6279 | 5-6 | 8 | STM7059 | 6-1 | 13 | STM7621 | 10-4 | 18 | STM9056 | 4-2 | 36 |
| STM6279 | 10-1 | 6 | STM7222 | 4-10 | 16 | STM7648 | 3-1 | 13 | STM9056 | 4-3 | 14 |
| STM6293 | 5-5 | 1 | STM7222 | 4-11 | 13 | STM7648 | 3-4 | 13 | STM9056 | 4-12 | 3 |
| STM6293 | 5-6 | 1 | STM7254 | 4-10 | 17 | STM7688 | 3-16 | 3 | STM9063 | 4-1 | 7 |
| STM6294 | 5-5 | | STM7254 | 4-11 | 14 | STM7689 | 3-16 | 4 | STM9063 | 4-1 | 16 |
| STM6294 | 5-6 | | STM7294 | 4-20 | 3 | STM7691 | 3-16 | 15 | STM9064 | 4-10 | 10 |
| STM6295 | 2-19 | 2 | STM7437 | 4-15 | 1 | STM7696 | 3-16 | 9 | STM9065 | 4-10 | 1 |
| STM6296 | 2-19 | 3 | STM7437 | 4-16 | 1 | STM8002 | 2-13 | 11 | STM9065 | 4-11 | 1 |
| STM6299 | 3-2 | 26 | STM7438 | 4-15 | 6 | STM8002 | 3-15 | 11 | STM9066 | 4-10 | 2 |
| STM6299 | 3-5 | 26 | STM7438 | 4-16 | 6 | STM8057 | 6-2 | 17 | STM9066 | 4-11 | 2 |
| STM6299 | 3-7 | 16 | STM7438 | 4-17 | 6 | STM8057 | 6-4 | 23 | STM9067 | 4-10 | 7 |
| STM6299 | 3-10 | 16 | STM7439 | 1-1 | 6 | STM8057 | 10-11 | 32 | STM9068 | 4-10 | 8 |
| STM6300 | 2-7 | 2 | STM7439 | 1-2 | 6 | STM8057 | 10-13 | 32 | STM9068 | 4-11 | 8 |
| STM6301 | 2-7 | 1 | STM7439 | 3-17 | 10 | STM8061 | 3-15 | 7 | STM9069 | 4-10 | 15 |
| STM6305 | 2-7 | 3 | STM7439 | 3-19 | 25 | STM8076 | 1-1 | 4 | STM9069 | 4-10 | 12 |
| STM6306 | 2-7 | 8 | STM7439 | 3-21 | 17 | STM8076 | 1-2 | 4 | STM9069 | 4-11 | 12 |
| STM6341 | 4-18 | 13 | STM7439 | 4-15 | 12 | STM8129 | 10-13 | 44 | STM9070 | 4-10 | 13 |
| STM6343 | 10-6 | 10 | STM7439 | 4-16 | 12 | STM8168 | 2-7 | 5 | STM9113 | 4-5 | 7 |
| STM6345 | 5-1 | | STM7439 | 4-17 | 12 | STM8168 | 2-23 | 3 | STM9119 | 4-12 | 3 |
| STM6345 | 5-3 | 10 | STM7440 | 4-15 | 13 | STM8177 | 4-3 | 8 | STM9132 | 4-12 | 3 |
| STM6345 | 5-5 | 9 | STM7446 | 3-1 | 11 | STM8177 | 4-4 | 8 | STM9135 | 4-12 | 2 |
| STM6345 | 5-6 | 9 | STM7446 | 3-4 | 11 | STM8214 | 10-11 | 24 | STM9136 | 4-12 | 4 |
| STM6617 | 10-6 | 12 | STM7584 | 2-1 | 8 | STM8214 | 10-13 | 24 | STM9164 | 4-7 | 13 |
| STM6904 | 10-1 | 16 | STM7587 | 10-8 | 14 | STM8326 | 4-18 | 14 | STM9164 | 4-8 | 13 |
| STM6905 | 10-2 | 31 | STM7595 | 2-1 | 9 | STM8332 | 10-3 | 3 | STM9168 | 4-7 | 2 |
| STM6906 | 10-2 | 32 | STM7601 | 10-3 | 5 | STM8332 | 10-4 | 3 | STM9168 | 4-8 | 2 |
| STM6909 | 10-1 | 17 | STM7601 | 10-4 | 5 | STM8332 | 10-5 | 3 | STM9169 | 4-9 | 4 |

| art.nr. / part | pag. page | pos. | art.nr. / part | pag. page | pos. | art.nr. / part | pag. page | pos. |
|----------------|-----------|------|----------------|-----------|------|----------------|-----------|------|
| STM9169 | 4-7 | 4 | STM9316 | 10-9 | 4 | STM9731 | 4-9 | 16 |
| STM9169 | 4-8 | 4 | STM9316 | 10-10 | 18 | STM9775 | 10-10 | 2 |
| STM9169 | 4-10 | 4 | STM9316 | 10-12 | 18 | STM9775 | 10-12 | 2 |
| STM9169 | 4-11 | 4 | STM9468 | 6-2 | 19 | STM9888 | 4-7 | 18 |
| STM9170 | 4-7 | 5 | STM9479 | 2-19 | 2 | STM9888 | 4-8 | 8 |
| STM9170 | 4-8 | 5 | STM9480 | 2-19 | 3 | STM9888 | 4-9 | 20 |
| STM9170 | 4-9 | 5 | STM9500 | 3-8 | 28 | STM9888 | 4-10 | 14 |
| STM9171 | 4-7 | 6 | STM9500 | 10-6 | 9 | STM9905 | 10-9 | 1 |
| STM9171 | 4-8 | 6 | STM9500 | 10-7 | 11 | STM9905 | 10-10 | 17 |
| STM9171 | 4-9 | 6 | STM9501 | 3-8 | 25 | STM9905 | 10-12 | 17 |
| STM9172 | 4-9 | 7 | STM9501 | 10-6 | 6 | STM9906 | 10-9 | 7 |
| STM9172 | 4-10 | 5 | STM9501 | 10-7 | 7 | STM9907 | 10-9 | 8 |
| STM9172 | 4-11 | 5 | STM9502 | 3-8 | 27 | STM9907 | 10-11 | 23 |
| STM9172 | 4-7 | 7 | STM9502 | 3-11 | 27 | STM9907 | 10-12 | 23 |
| STM9172 | 4-8 | 7 | STM9502 | 10-6 | 8 | STM9908 | 10-9 | 9 |
| STM9173 | 4-7 | 8 | STM9502 | 10-7 | 9 | STM9908 | 10-11 | 22 |
| STM9174 | 4-7 | 9 | STM9502 | 10-8 | 9 | STM9908 | 10-12 | 22 |
| STM9176 | 4-9 | 8 | STM9503 | 3-8 | 26 | STM9909 | 10-9 | 10 |
| STM9177 | 4-9 | 9 | STM9503 | 3-11 | 26 | STM9910 | 10-9 | 11 |
| STM9177 | 4-8 | 20 | STM9503 | 10-6 | 7 | STM9911 | 10-9 | 12 |
| STM9180 | 4-7 | 14 | STM9503 | 10-7 | 8 | STM9911 | 10-11 | 19 |
| STM9180 | 4-8 | 14 | STM9503 | 10-8 | 8 | STM9911 | 10-12 | 19 |
| STM9180 | 4-9 | 14 | STM9504 | 3-8 | 23 | STM9912 | 10-9 | 13 |
| STM9184 | 4-1 | 8 | STM9504 | 3-11 | 23 | STM9912 | 10-11 | 20 |
| STM9184 | 4-3 | 3 | STM9504 | 10-6 | 5 | STM9912 | 10-12 | 20 |
| STM9184 | 4-4 | 3 | STM9504 | 10-7 | 6 | STM9913 | 10-9 | 14 |
| STM9185 | 1-1 | 1 | STM9504 | 10-8 | 6 | VBELTCOV-ERM23 | 2-22 | 13 |
| STM9185 | 4-1 | 9 | STM9505 | 3-8 | 24 | VD60090 | 10-11 | 29 |
| STM9185 | 4-3 | 4 | STM9505 | 3-11 | 24 | VD60090 | 10-13 | 29 |
| STM9185 | 4-4 | 4 | STM9505 | 10-6 | 4 | | | |
| STM9186 | 4-7 | 1 | STM9505 | 10-7 | 5 | | | |
| STM9186 | 4-8 | 1 | STM9505 | 10-8 | 5 | | | |
| STM9186 | 4-9 | 1 | STM9507 | 3-7 | 4 | | 2-22 | |
| STM9188 | 4-9 | 17 | STM9507 | 3-10 | 4 | | | |
| STM9188 | 4-10 | 11 | STM9507 | 10-6 | 14 | | | |
| STM9188 | 4-11 | 11 | STM9507 | 10-7 | 4 | | | |
| STM9188 | 4-7 | 16 | STM9507 | 10-8 | 4 | | | |
| STM9188 | 4-8 | 16 | STM9511 | 3-12 | 44 | | | |
| STM9197 | 4-8 | 17 | STM9511 | 10-8 | 12 | | | |
| STM9215 | 4-9 | 12 | STM9512 | 3-12 | 43 | | | |
| STM9215 | 4-10 | 6 | STM9512 | 10-8 | 13 | | | |
| STM9215 | 4-11 | 6 | STM9513 | 3-11 | 25 | | | |
| STM9215 | 4-7 | 12 | STM9513 | 10-8 | 7 | | | |
| STM9215 | 4-8 | 12 | STM9514 | 3-11 | 28 | | | |
| STM9262 | 6-1 | 15 | STM9514 | 10-8 | 11 | | | |
| STM9262 | 6-4 | 22 | STM9563 | 4-15 | 14 | | | |
| STM9262 | 10-11 | 30 | STM9563 | 4-16 | 14 | | | |
| STM9262 | 10-13 | 30 | STM9563 | 4-17 | 14 | | | |

VETUS b.v.

FOKKERSTRAAT 571 - 3125 BD SCHIEDAM - HOLLAND
TEL.: +31 0(0)88 4884700 - sales@vetus.nl - www.vetus.com

341131.06 2020-03 Printed in the Netherlands

M2.02 M2.04 M2.06 M2.C5 M2.D5 M2.13 M2.18