

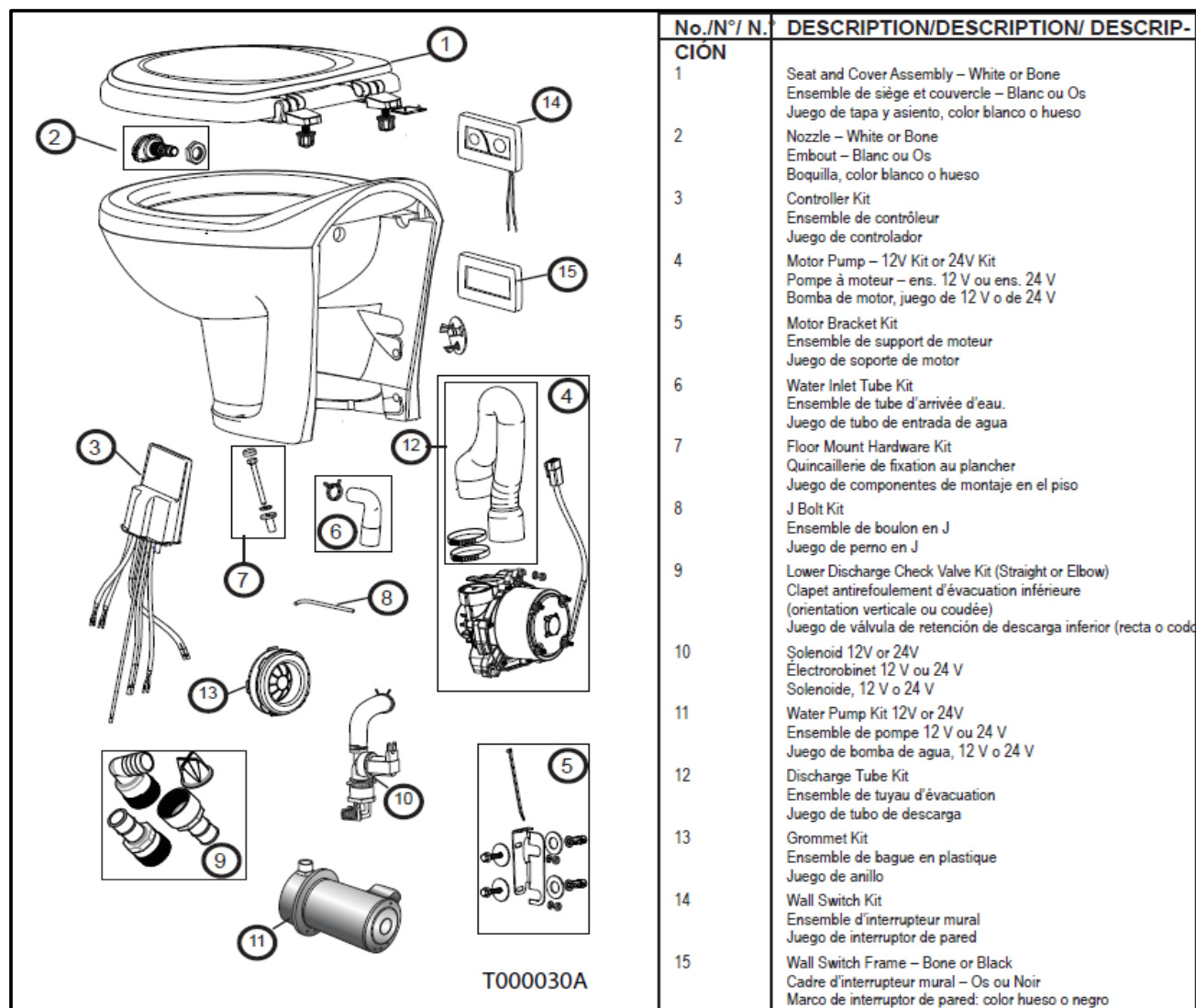


**TECMA COMPACT LINE
SPARE PARTS & ACCESSORIES**

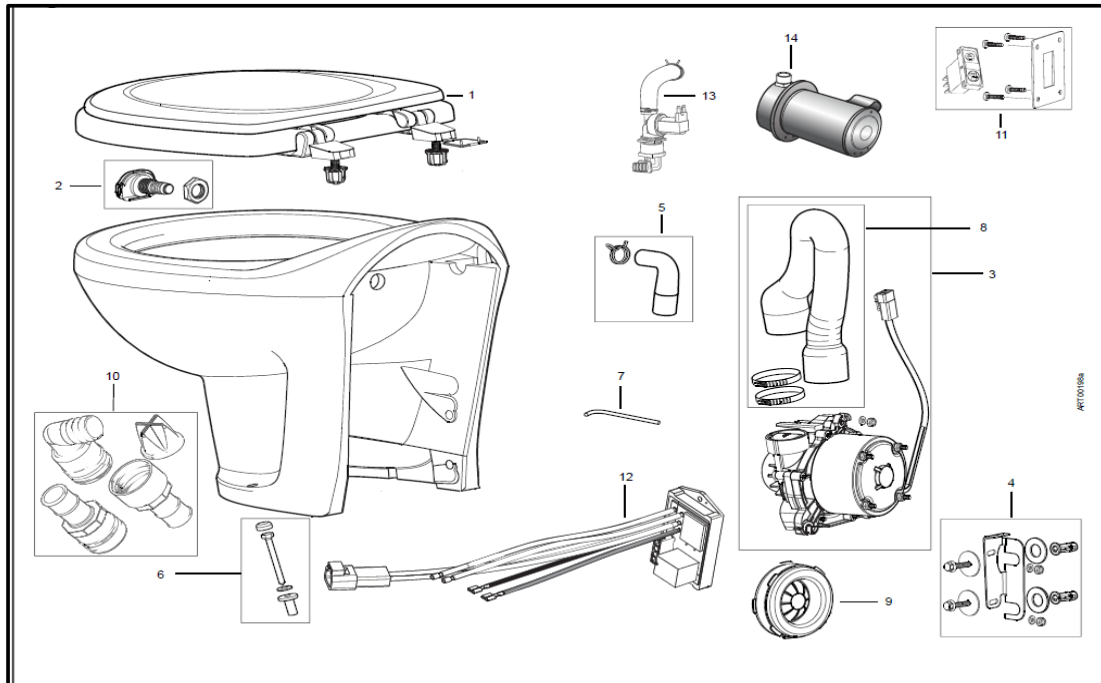


SPARE PARTS LIST COMPACT LINE
MODEL: EASYFIT (PREMIUM PLUS, ECO)

EASYFIT PREMIUM PLUS



EASYFIT ECO



No./ N°/ N.º	Description / Description / Descripción
1	Seat & Cover / Siège et couvercle / Asiento y tapa
2	Nozzle / Embout / Boquilla
3	Pump & Discharge Tube / Pompe et tuyau d'évacuation / Bomba y tubo de descarga
4	Motor Bracket / Support de moteur / Soporte del motor
5	Water Inlet / Prise d'eau / Entrada de agua
6	Floor Mount Hardware / Quincaillerie de fixation au plancher / Herraje de montaje en el piso
7	J-Bolt / Boulon en J / Perno "J"
8	Discharge Tube / Tuyau d'évacuation / Tubo de descarga
9	Grommet / Bague en plastique / Anillo
10	Lower Discharge Check Valve / Clapet antirefoulement pour l'évacuation inférieure / Válvula de retención inferior de descarga
11	Rocker Switch & Bezel / Interrupteur à bascule et plaque / Interruptor oscilante y marco
12	Relay Module / Module de relais / Módulo de relé
13	Solenoid (12V) / Électrovanne (12V) / Solenoide (12 V)
14	Water Pump Kit / Ensemble de pompe à eau / Juego de la bomba de agua

EASYFIT SPARES

ECO	PP	DESCRIPTION	VOLTAGE	CODE
1	1	WHITE SEAT AND COVER REPLACING KIT - EASYFIT		T-PF.PE03
1	1	BONE SEAT AND COVER REPLACING KIT - EASYFIT		T-PF.PE04
2	2	WHITE WATER INLET NOZZLE KIT / RAW WATER PREMIUM PLUS FITTING KIT		T-PF.P03/B
2	2	PERGAMON WATER INLET NOZZLE KIT / RAW WATER PREMIUM PLUS FITTING KIT		T-PF.P03/P
	3	CONTROLLER PREMIUM PLUS		T-PF.PE07
12		CONTROLLER ECO	12 volts	T-CONTROLLERECO12
12		CONTROLLER ECO	24 volts	T-CONTROLLERECO24
3	4	MACERATOR PUMP MAC4 12v KIT (L) (WITH LONG DISCHARGE HOSE)	12 volts	T-PF.PE09
3	4	MACERATOR PUMP MAC4 24V KIT (L) (WITH LONG DISCHARGE HOSE)	24 volts	T-PF.PE10
7	8	J-BOLT KIT - EASYFIT		T.PF.PE14
6	7	MOTOR BRACKET KIT - EASYFIT		T.PF.PE11
5	6	FLOOR MOUNTING HARDWARE - EASYFIT		T.PF.PE17
4	5	WATER INLET TUBE KIT		T.PF.P57
10	9	LOWER DISCHARGE CHECK VALVE (DOUBLE DUCK-BILL)		T-PF.P86
13	10	SOLENOID COMPACT LINE	12 volts	T.PF.P14/I
13	10	SOLENOID COMPACT LINE	24 volts	T.PF.P15/I
14	11	RAW WATER INLET PUMP	12 volts	T-PF.P27
14	11	RAW WATER INLET PUMP	24 volts	T-PF.P28
8	12	LONG DISCHARGE TUBE KIT		T-PF.PE08
8	12	SHORT DISCHARGE TUBE KIT		T-786
9	13	GROMMET KIT		T-PF.PE15
11+13		ECO CONTROL PANEL KIT (SOLENOID kit +HARNESS + ROCKER SWITCH)	12 volts	T-PF.PE21
11+13		ECO CONTROL PANEL KIT (SOLENOID kit +HARNESS + ROCKER SWITCH)	24 volts	T-PF.PE22
	14	PREMIUM PLUS CONTROL PANEL		T-PF.PE13
	15	CONTROL PANEL FRAME - PREMIUM PLUS BONE		T-PF.PE01
	15	CONTROL PANEL FRAME - PREMIUM PLUS BLACK		T-PF.PE02
NOT SHOWN		ECO CONTROL PANEL KIT RAW WATER (HARNESS + ROCKER SWITCH) 12V		T-PF.PE23
NOT SHOWN		ECO CONTROL PANEL KIT RAW WATER (HARNESS + ROCKER SWITCH) 24V		T-PF.PE24
NOT SHOWN		MIRUS CELL FULL TANK SENSOR / FOR COMPACT LINE		T-PF.PE18
NOT SHOWN		MIRUS CELL MID TANK SENSOR / FOR COMPACT LINE		T-PF.PE19

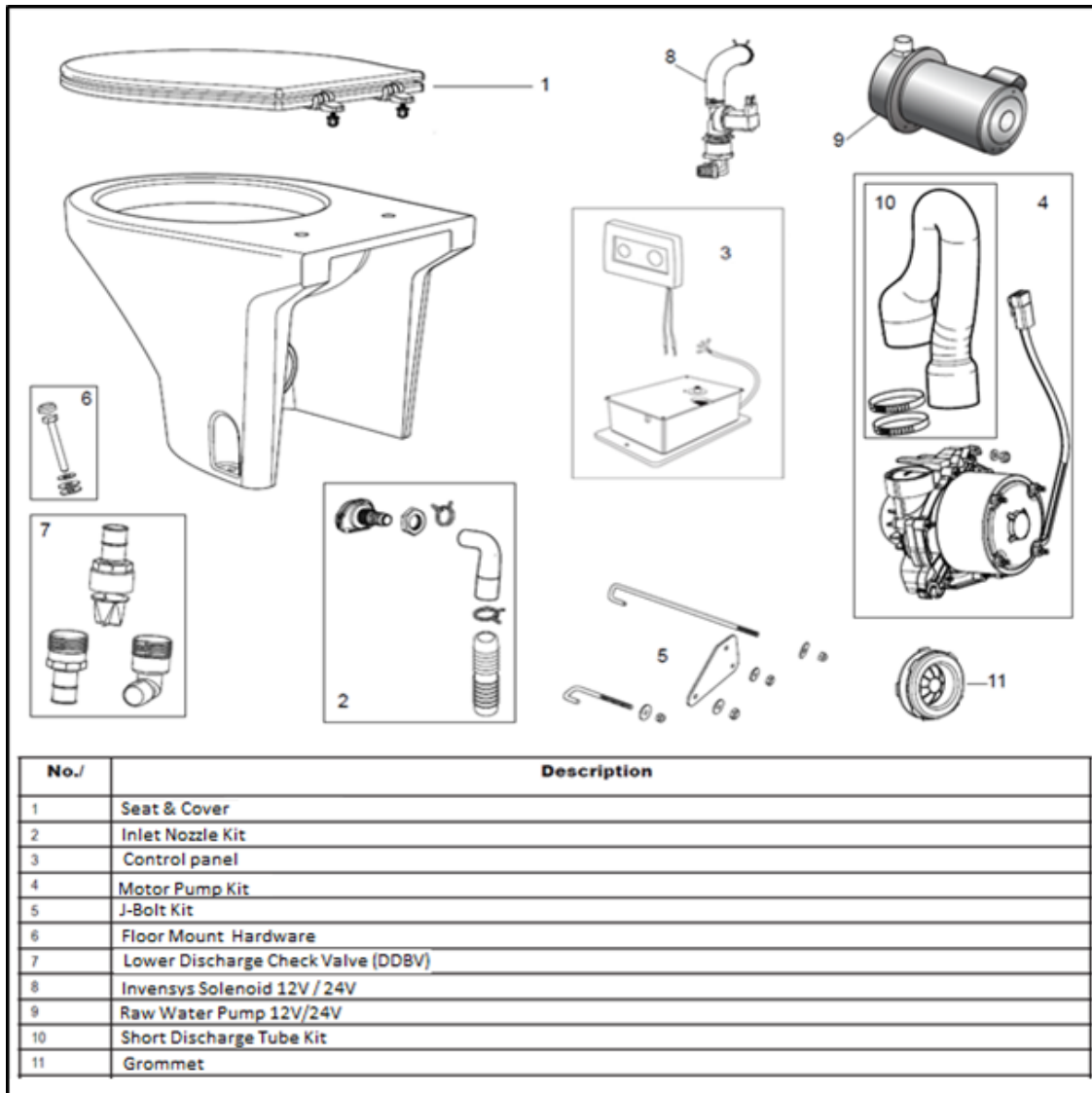


SPARE PARTS LIST COMPACT LINE

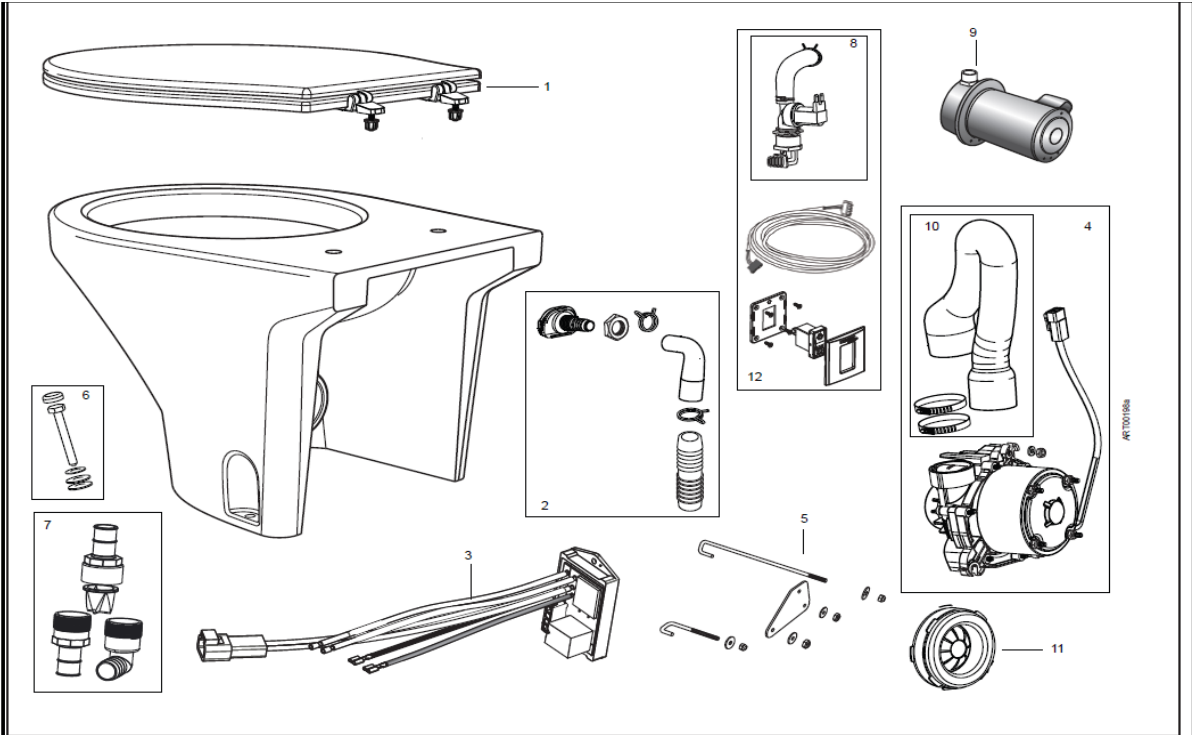
MODELS: COMPASS (Touch SFT Multifunction, ECO, All In One SFT,
Multiframe SFT)

NANO (Touch SFT Multifunction, ECO, All In One SFT,
Multiframe SFT)

COMPASS TSFT-MTSFT-AIO SFT

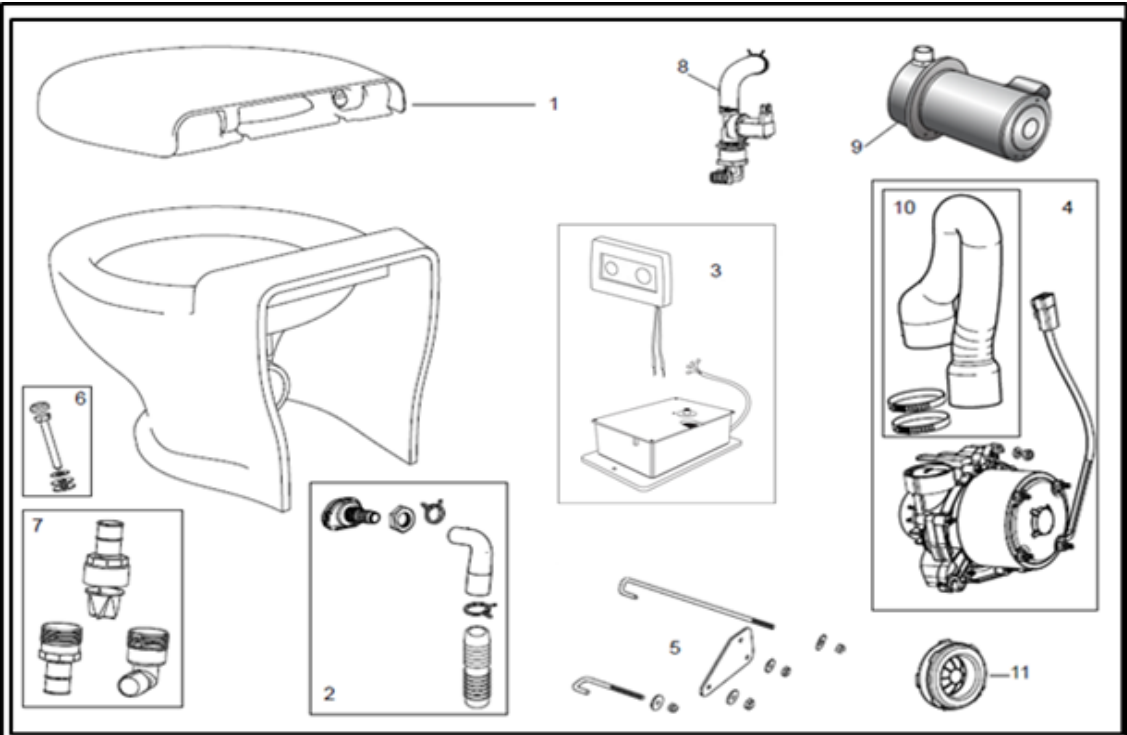


COMPASS ECO



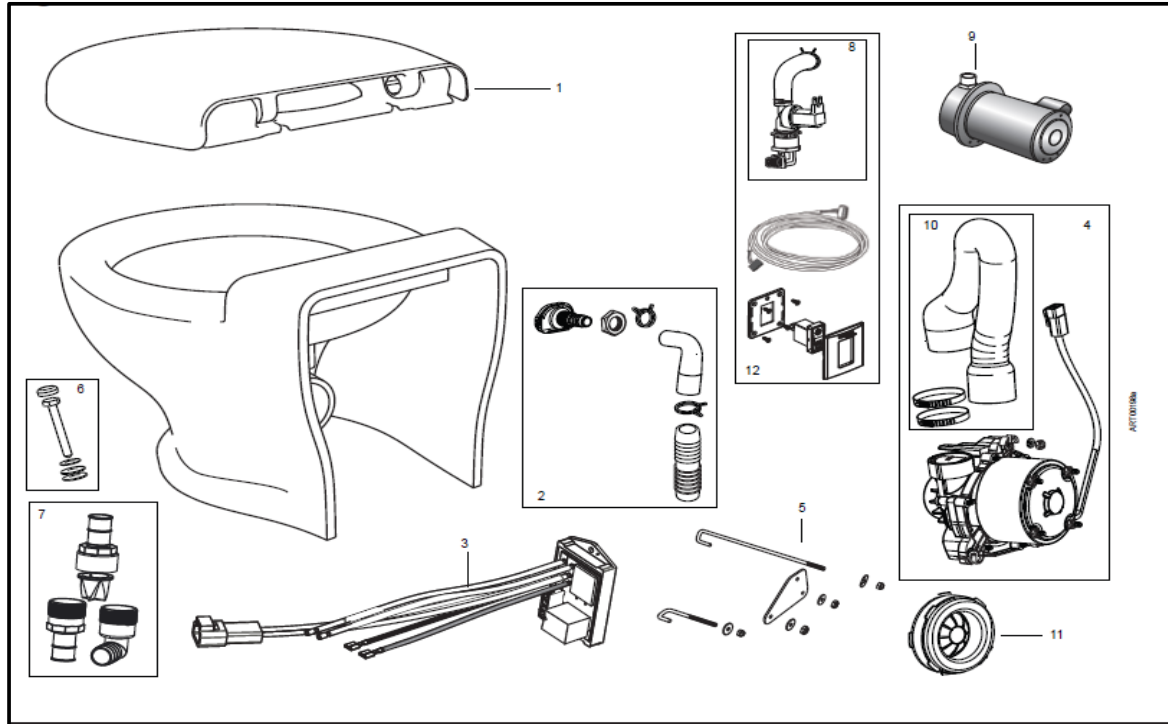
No./	Description
1	Seat & Cover
2	Inlet Nozzle Kit
3	Controller Eco
4	Motor Pump kit (S)
5	J-Bolt kit
6	Floor Mount Hardware
7	Lower Discharge Check Valve (Double Duck Bill)
8	Invensys Solenoid 12V/ 24V
9	Raw Water Pump 12V/24V
10	Short Discharge Tube Kit
11	Grommet
12	ECO Solenoid/Rocker Switch Kit

NANO TSFT-MTSFT-AIO SFT



No./	Description
1	Seat & Cover
2	Inlet Nozzle Kit
3	Control panel
4	Motor Pump Kit
5	J-Bolt Kit
6	Floor Mount Hardware
7	Lower Discharge Check Valve (DBV)
8	Invensys Solenoid 12V / 24V
9	Raw Water Pump 12V/24V
10	Short Discharge Tube Kit
11	Grommet

NANO ECO



No./	Description
1	Seat & Cover
2	Inlet Nozzle Kit
3	Controller Eco
4	Motor Pump kit (S)
5	J-Bolt kit
6	Floor Mount Hardware
7	Lower Discharge Check Valve (Double Duck Bill)
8	Invensys Solenoid 12V/ 24V
9	Raw Water Pump 12V/24V
10	Short Discharge Tube Kit
11	Grommet
12	ECO Solenoid/Rocker Switch Kit

COMPASS - NANO SPARES

ECO	SFT	DESCRIPTION	VOLTAGE	CODE	
1	1	COMPASS WHITE SEAT AND COVER SOFT CLOSING REPLACING KIT -		T-781TBFR	
1	1	NANO WHITE SEAT AND COVER		T-236TB	
1	1	HINGES NANO THERMOSETTING SEAT AND COVER		T-630	
2	2	WHITE WATER INLET NOZZLE KIT (RAW WATER PREMIUM PLUS FITTING KIT)		T-PF.P03/B	
2	2	PERGAMON WATER INLET NOZZLE KIT		T-PF.P03/P	
NOT SHOWN		CONTROLLER PREMIUM PLUS		T-PF.PE07	
	3	ALL IN ONE SFT - Smart Flush Technology 1 BUTTON CONTROL PANEL		T- PF.P11B	NEW
	3	ALL IN ONE SFT - Smart Flush Technology 2 BUTTONS CONTROL PANEL		T- PF.P11	NEW
	3	MULTIFRAME SFT - Smart Flush Technology 2 BUTTONS CONTROL PANEL		T- PF.P11M2	NEW
	3	TOUCH SFT - Smart Flush Technology Multifunction CONTROL PANEL		T- PF.P11T2	NEW
3		CONTROLLER ECO	12 volts	T- CONTROLLER ECO12	
3		CONTROLLER ECO	24 volts	T- CONTROLLER ECO24	
4	4	MACERATOR PUMP MAC4 12v KIT (S) (WITH SHORT DISCHARGE HOSE T-786)	12 volts	T-PF.P01C	
4	4	MACERATOR PUMP MAC4 24V KIT (S) (WITH SHORT DISCHARGE HOSE T-786)	24 volts	T-PF.P01D	
5	5	J-BOLT / MOTOR BRACKET KIT - COMPASS/NANO		T-PF.P88	
6	6	FLOOR MOUNTING HARDWARE - COMPASS/NANO		T.PF.P80	
7	7	LOWER DISCHARGE CHECK VALVE (DOUBLE DUCK-BILL)		T-PF.P86	
8	8	SOLENOID COMPACT LINE	12 volts	T.PF.P14/I	
8	8	SOLENOID COMPACT LINE	24 volts	T.PF.P15/I	
9	9	RAW WATER INLET PUMP	12 volts	T-PF.P27	
9	9	RAW WATER INLET PUMP	24 volts	T-PF.P28	
10	10	SHORT DISCHARGE TUBE KIT		T-786	
11	11	GROMMET KIT		T-PF.PE15	
12		ECO CONTROL PANEL KIT (SOLENOID kit + HARNESS + ROCKER SWITCH) 12V	12 volts	T-PF.PE21	
12		ECO CONTROL PANEL KIT (SOLENOID kit + HARNESS + ROCKER SWITCH) 24V	24 volts	T-PF.PE22	
NOT SHOWN		ECO CONTROL PANEL KIT RAW WATER (HARNESS + ROCKER SWITCH) 12V	12 volts	T-PF.PE23	
NOT SHOWN		PREMIUM PLUS CONTROL PANEL		T-PF.PE13	
NOT SHOWN		ECO CONTROL PANEL KIT RAW WATER (HARNESS + ROCKER SWITCH) 24V	24 volts	T-PF.PE24	
NOT SHOWN		MIRUS CELL FULL TANK SENSOR / FOR COMPACT LINE (only for Premium Plus)		T-PF.PE18	
NOT SHOWN		MIRUS CELL MID TANK SENSOR / FOR COMPACT LINE (only for Premium Plus)		T-PF.PE19	