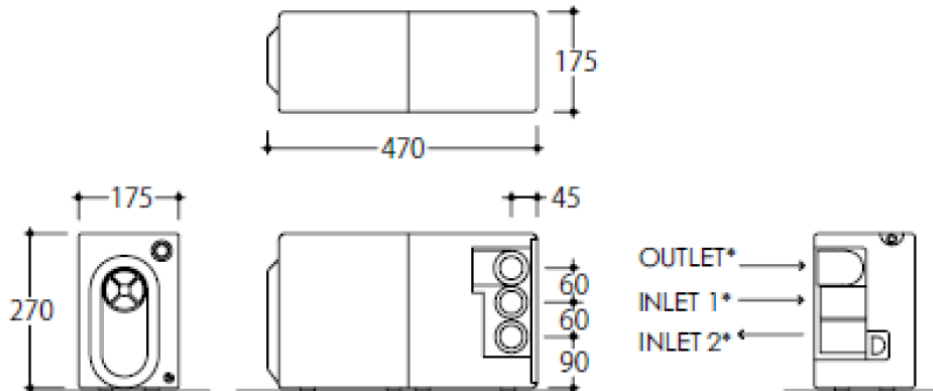


## SANISPLIT NK SPARE PARTS LIST



W 43A2EES52

DESCRIPTION	VOLTAGE	CODE
SANISPLIT - FAS MOTOR NK 12V - PUMP ASSEMBLY BOX	12V	T-PF.SPLITFAS12V
SANISPLIT - FAS MOTOR NK 24V - PUMP ASSEMBLY BOX	24V	T-PF.SPLITFAS24V
SANISPLIT - FAS MOTOR NK 230V - PUMP ASSEMBLY BOX	230V	T-PF.SPLITFAS230V
SANISPLIT - FAS MOTOR NK 230V - PUMP ASSEMBLY BOX	110V	T-PF.SPLITFAS110V
SANISPLIT - FIX PART / WATER INLET - OUTLET - HOSES AND TANK BOX		T-PF.P58/NK

