



HPP 6 SWIMMING POOL HEAT PUMP

Function

The HPP 6 is a heat pump especially designed for heating of small and medium sized outdoor pools and spa.

In a HPP 6 pool heat pump hot refrigerant passes through a condenser coil with pool water and the hot refrigerant gives up its heat to the cooler pool water. The heated pool water circulates back to the pool and the now cold refrigerant returns to its former liquid state. The liquid refrigerant passes through an expansion valve and then through an evaporator where it is heated by energy extracted from the warm ambient air. Now the preheated refrigerant is ready to be compressed and the whole process starts all over again.

The HPP heat pump features a 'smart' pool pump control. The control tells the pump to start if heat is required, thus overriding the timer. A pressure gauge shows if there is sufficient refrigerant in the system.

The HPP 6 can operate from 3°C outside air temperatures. In this way the pool season can be extended for several months.

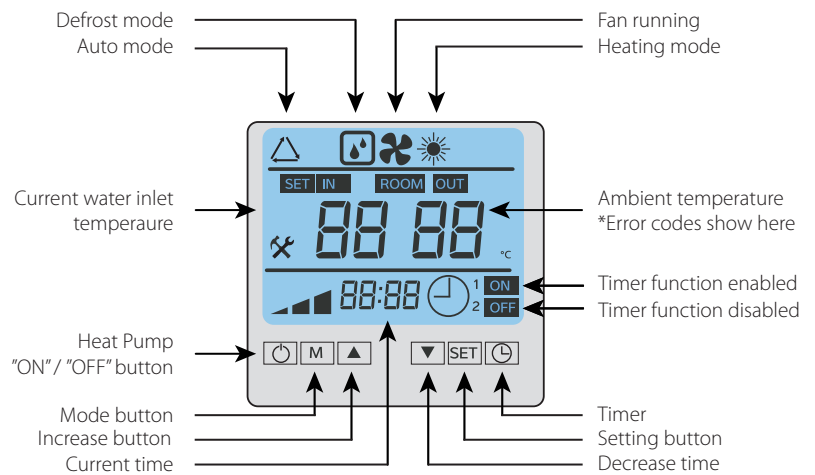
Applications

- Outdoor pools and spa
- Fresh water pools
- Salt water pools (up to 3% salt)
- Therapy pools

FEATURES

- Low sound level
- Nice design
- High efficiency titanium heat exchanger
- ABS cabinet
- 'Smart' pool pump control
- Water flow switch
- Pressure gauge

CONTROL



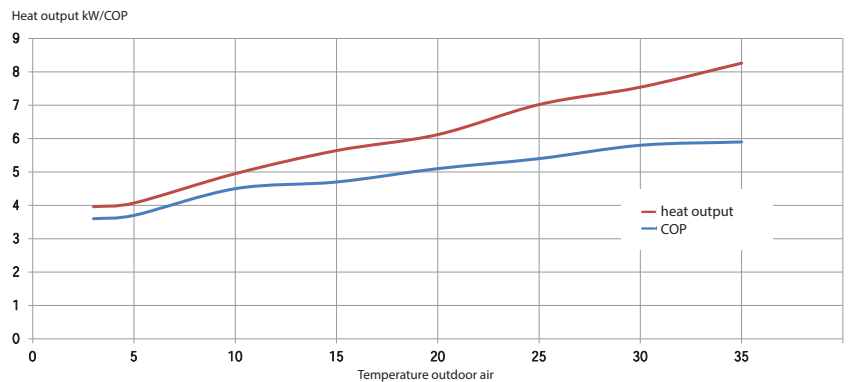
Accessories
Winter protection cover

TECHNICAL DATA

Model	HPP 6
Operating range – air temperature	3-35°C
Operating range – water temperature	15-40°C
Max. power consumption, nominal*	1,5 kW
Max. ampere consumption, nominal	6,5 A
Nominal air flow +/- 10%	2.200 m ³ /h
Nominal water flow +/- 10%	3.000 l/h
Power supply	230 V/50 Hz
Sound level (3 m distance)	< 37 dB(A)
Protection class	IPX4
Material - cabinet	ABS
Colour - cabinet	Merlin Grey RAL 1804005
Material - heat exchanger	Titanium
Refrigerant	R410a
Compressor type	Rotary
Weight, net	51 kg
GWP	2088

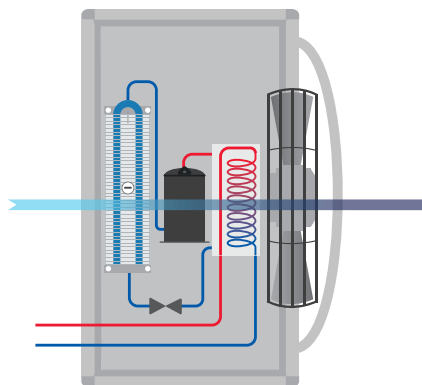
*Water temperature 32°C and outside condition 30°C, 45% RH.

CAPACITY CURVES

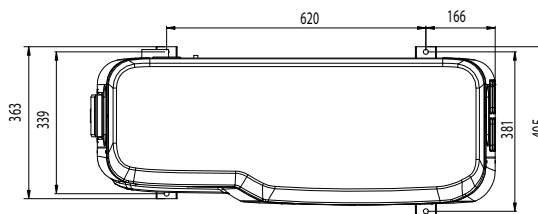
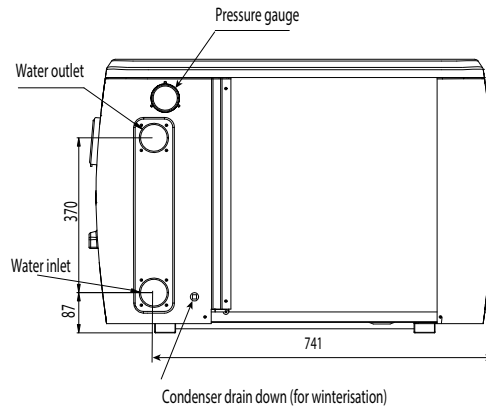
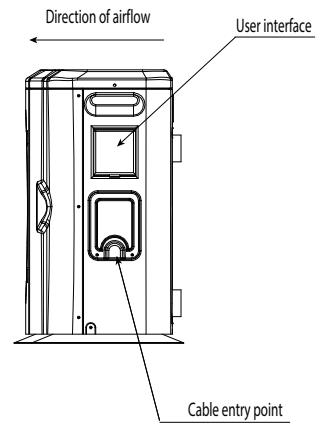
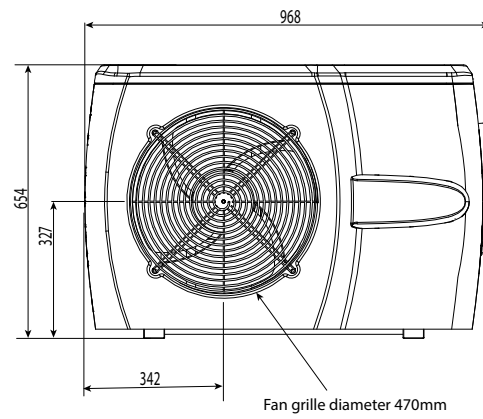


The curve is based on water temperature = 26°C and different outdoor temperatures are given at typical corresponding RH values.

HPP HEAT PUMP WORKING PRINCIPLE



DIMENSIONS





HPP 8 SWIMMING POOL HEAT PUMP

Function

The HPP 8 is a heat pump especially designed for heating of small and medium sized outdoor pools and spa.

In a HPP 8 pool heat pump hot refrigerant passes through a condenser coil with pool water and the hot refrigerant gives up its heat to the cooler pool water. The heated pool water circulates back to the pool and the now cold refrigerant returns to its former liquid state. The liquid refrigerant passes through an expansion valve and then through an evaporator where it is heated by energy extracted from the warm ambient air. Now the preheated refrigerant is ready to be compressed and the whole process starts all over again.

The HPP heat pump features a 'smart' pool pump control. The control tells the pump to start if heat is required, thus overriding the timer. A pressure gauge shows if there is sufficient refrigerant in the system.

The HPP 8 can operate from 3°C outside air temperatures. In this way the pool season can be extended for several months.

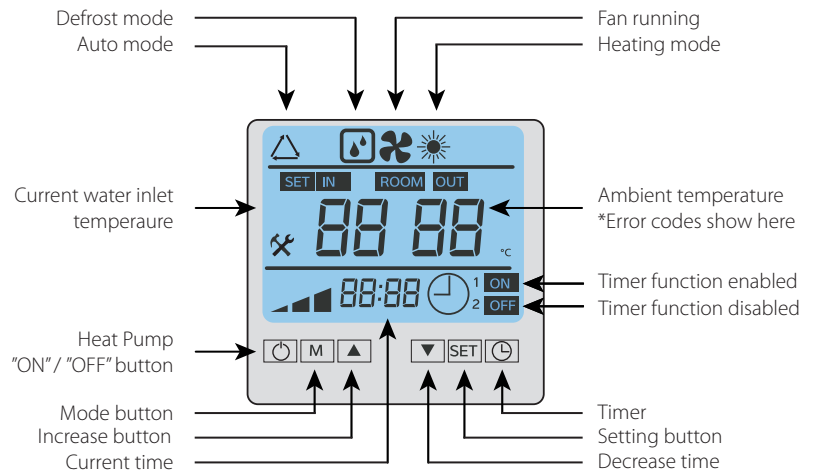
Applications

- Outdoor pools and spa
- Fresh water pools
- Salt water pools (up to 3% salt)
- Therapy pools

FEATURES

- Low sound level
- Nice design
- High efficiency titanium heat exchanger
- ABS cabinet
- 'Smart' pool pump control
- Water flow switch
- Pressure gauge

CONTROL



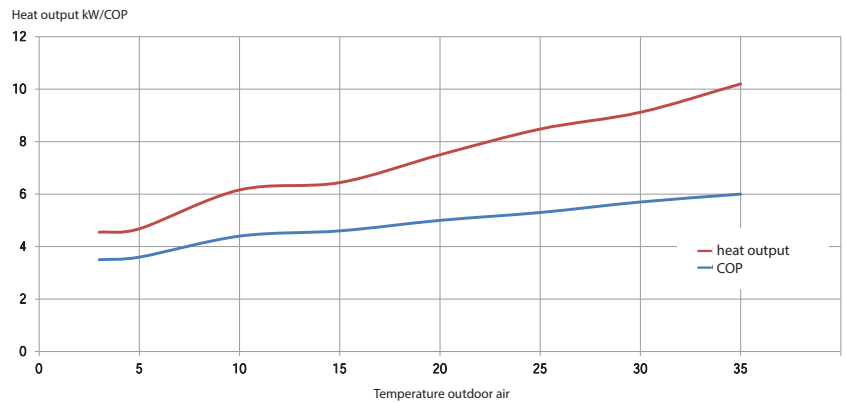
Accessories
Winter protection cover

TECHNICAL DATA

Model	HPP 8
Operating range – air temperature	3-35°C
Operating range – water temperature	15-40°C
Max. power consumption, nominal*	1,8 kW
Max. ampere consumption, nominal	7,8 A
Nominal air flow +/- 10 %	2.000 m ³ /h
Nominal water flow +/- 10 %	4.200 l/h
Power supply	230 V/50 Hz
Sound level (3 m distance)	< 38 dB(A)
Protection class	IPX4
Material - cabinet	ABS
Colour - cabinet	Merlin Grey RAL 1804005
Material - heat exchanger	Titanium
Refrigerant	R410a
Compressor type	Rotary
Weight, net	53 kg
GWP	2088

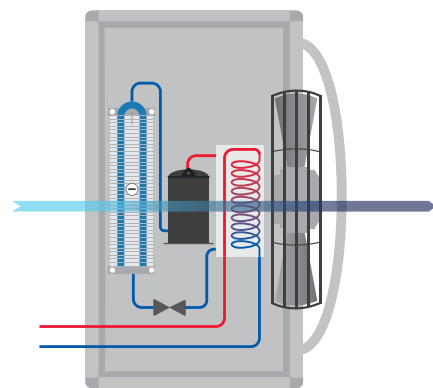
*Water temperature 32°C and outside condition 30°C, 45% RH.

CAPACITY CURVES

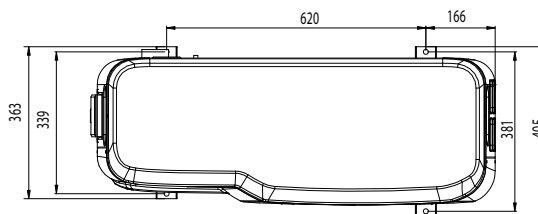
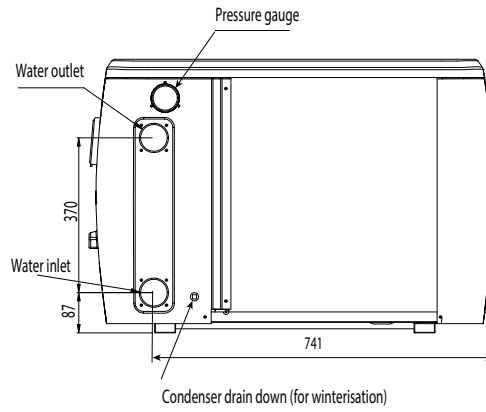
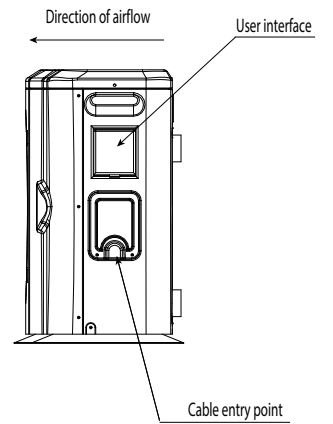
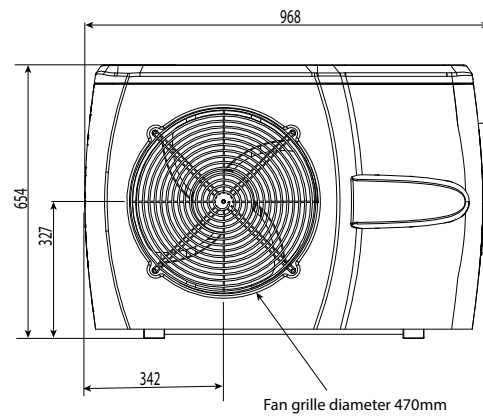


The curve is based on water temperature = 26°C and different outdoor temperatures are given at typical corresponding RH values.

HPP HEAT PUMP WORKING PRINCIPLE



DIMENSIONS





HPP 12 SWIMMING POOL HEAT PUMP

Function

The HPP 12 is a heat pump especially designed for heating of small and medium sized outdoor pools and spa.

In a HPP 12 pool heat pump hot refrigerant passes through a condenser coil with pool water and the hot refrigerant gives up its heat to the cooler pool water. The heated pool water circulates back to the pool and the now cold refrigerant returns to its former liquid state. The liquid refrigerant passes through an expansion valve and then through an evaporator where it is heated by energy extracted from the warm ambient air. Now the preheated refrigerant is ready to be compressed and the whole process starts all over again.

The HPP heat pump features a 'smart' pool pump control. The control tells the pump to start if heat is required, thus overriding the timer. A pressure gauge shows if there is sufficient refrigerant in the system.

The HPP 12 can operate from 3°C outside air temperatures. In this way the pool season can be extended for several months.

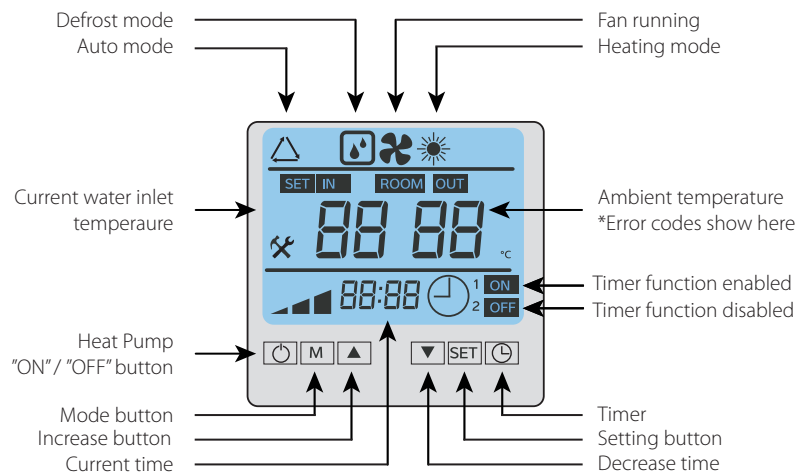
Applications

- Outdoor pools and spa
- Fresh water pools
- Salt water pools (up to 3% salt)
- Therapy pools

FEATURES

- Low sound level
- Nice design
- High efficiency titanium heat exchanger
- ABS cabinet
- 'Smart' pool pump control
- Water flow switch
- Pressure gauge

CONTROL



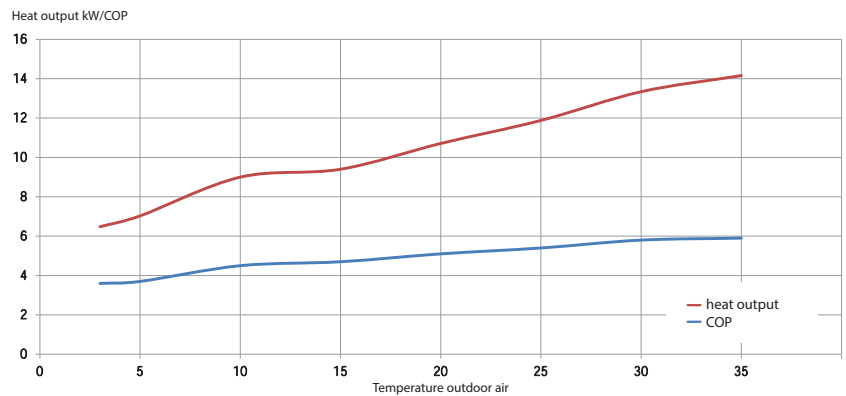
Accessories
Winter protection cover

TECHNICAL DATA

Model	HPP 12
Operating range – air temperature	3-35°C
Operating range – water temperature	15-40°C
Max. power consumption, nominal*	2,6 kW
Max. ampere consumption, nominal	10,9 A
Nominal air flow +/- 10%	3.900 m ³ /h
Nominal water flow +/- 10%	6.300 l/h
Power supply	230 V/50 Hz
Sound level (3 m distance)	< 39 dB(A)
Protection class	IPX4
Material - cabinet	ABS
Colour - cabinet	Merlin Grey RAL 1804005
Material - heat exchanger	Titanium
Refrigerant	R410a
Compressor type	Rotary
Weight, net	72 kg
GWP	2088

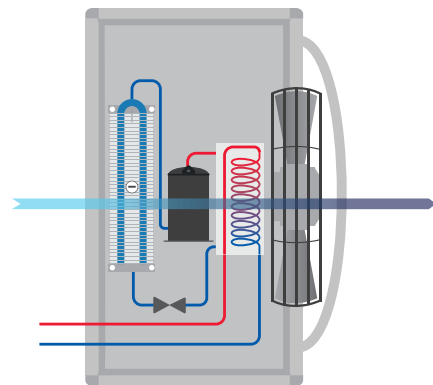
*Water temperature 32°C and outside condition 30°C, 45% RH.

CAPACITY CURVES

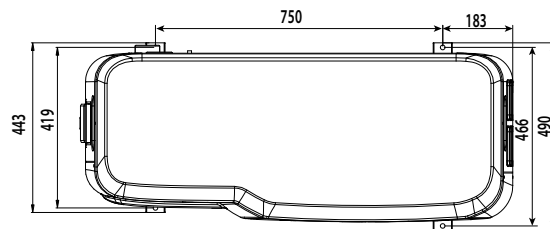
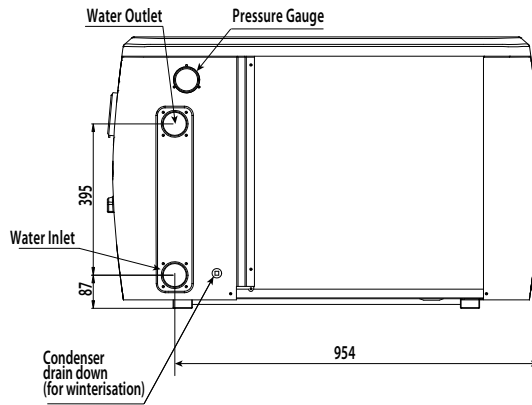
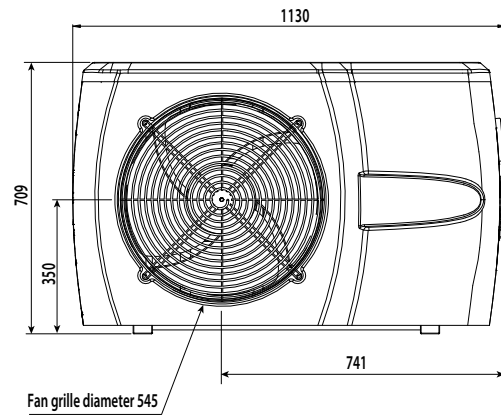


The curve is based on water temperature = 26°C and different outdoor temperatures are given at typical corresponding RH values.

HPP HEAT PUMP WORKING PRINCIPLE



DIMENSIONS





HPP 15 SWIMMING POOL HEAT PUMP

Function

The HPP 15 is a heat pump especially designed for heating of small and medium sized outdoor pools and spa.

In a HPP 15 pool heat pump hot refrigerant passes through a condenser coil with pool water and the hot refrigerant gives up its heat to the cooler pool water. The heated pool water circulates back to the pool and the now cold refrigerant returns to its former liquid state. The liquid refrigerant passes through an expansion valve and then through an evaporator where it is heated by energy extracted from the warm ambient air. Now the preheated refrigerant is ready to be compressed and the whole process starts all over again.

The HPP heat pump features a 'smart' pool pump control. The control tells the pump to start if heat is required, thus overriding the timer. A pressure gauge shows if there is sufficient refrigerant in the system.

The HPP 15 can operate from 3°C outside air temperatures. In this way the pool season can be extended for several months.

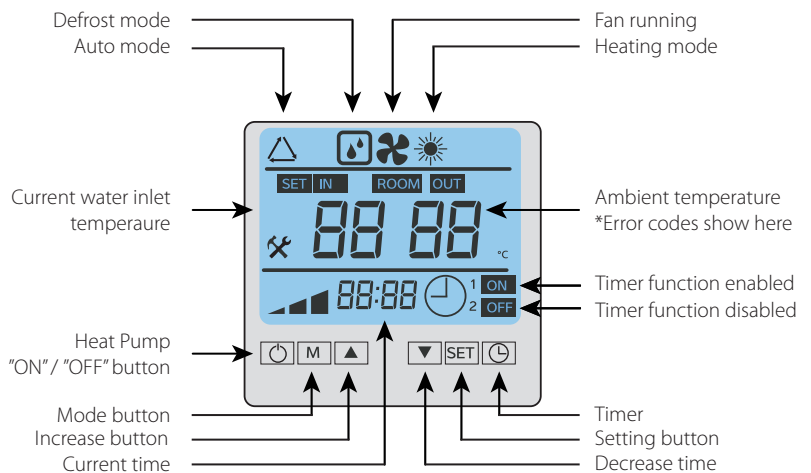
Applications

- Outdoor pools and spa
- Fresh water pools
- Salt water pools (up to 3% salt)
- Therapy pools

FEATURES

- Low sound level
- Nice design
- High efficiency titanium heat exchanger
- ABS cabinet
- 'Smart' pool pump control
- Water flow switch
- Pressure gauge

CONTROL



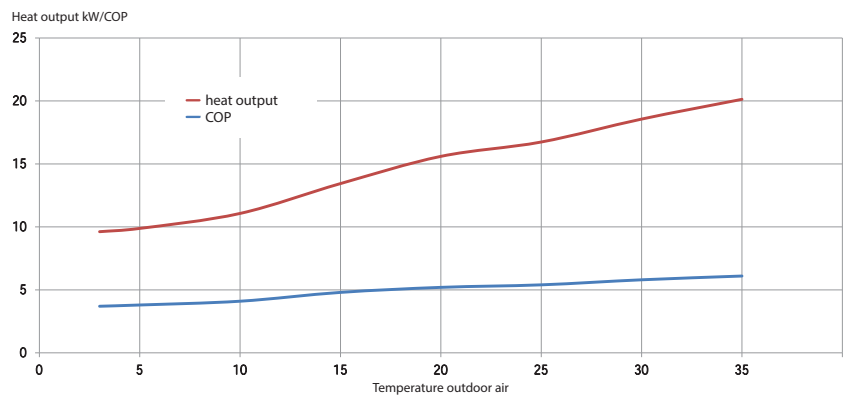
Accessories
Winter protection cover

TECHNICAL DATA

Model	HPP 15
Operating range – air temperature	3-35°C
Operating range – water temperature	15-40°C
Max. power consumption, nominal*	3,6 kW
Max. ampere consumption, nominal	15,6 A
Nominal air flow +/- 10 %	3.800 m ³ /h
Nominal water flow +/- 10 %	7.200 l/h
Power supply	230 V/50 Hz
Sound level (3 m distance)	< 39 dB(A)
Protection class	IPX4
Material - cabinet	ABS
Colour - cabinet	Merlin Grey RAL 1804005
Material - heat exchanger	Titanium
Refrigerant	R410a
Compressor type	Scroll
Weight, net	93 kg
GWP	2088

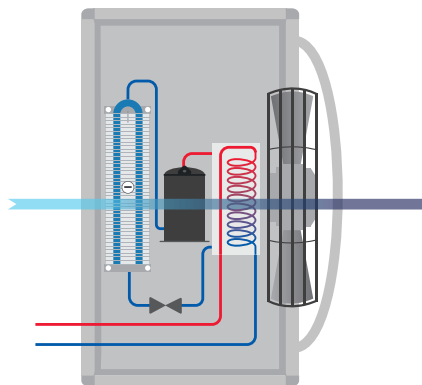
*Water temperature 32°C and outside condition 30°C, 45% RH.

CAPACITY CURVES

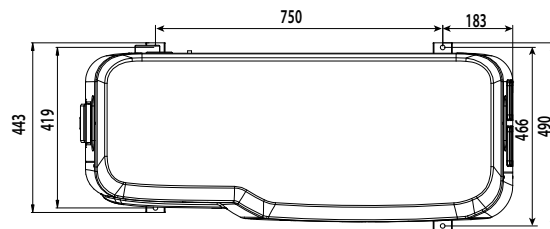
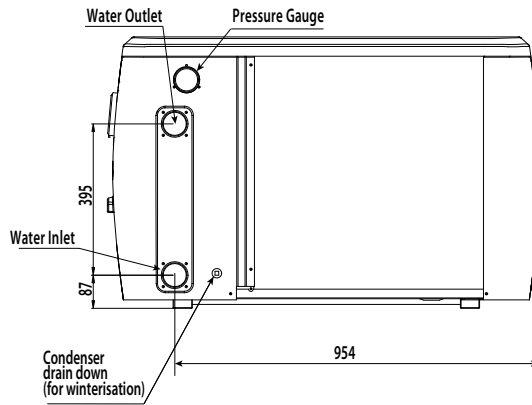
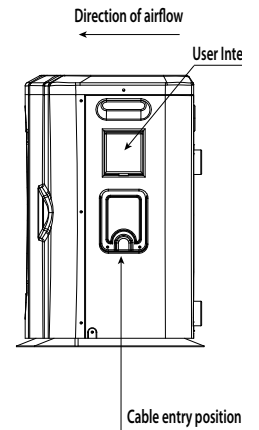
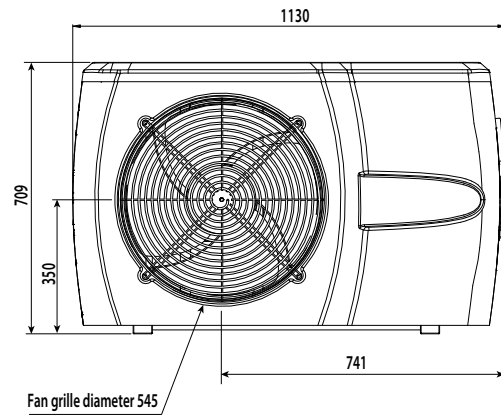


The curve is based on water temperature = 26°C and different outdoor temperatures are given at typical corresponding RH values.

HPP HEAT PUMP WORKING PRINCIPLE



DIMENSIONS





HPP 20 SWIMMING POOL HEAT PUMP

Function

The HPP 20 is a heat pump especially designed for heating of small and medium sized outdoor pools and spa.

In a HPP 20 pool heat pump hot refrigerant passes through a condenser coil with pool water and the hot refrigerant gives up its heat to the cooler pool water. The heated pool water circulates back to the pool and the now cold refrigerant returns to its former liquid state. The liquid refrigerant passes through an expansion valve and then through an evaporator where it is heated by energy extracted from the warm ambient air. Now the preheated refrigerant is ready to be compressed and the whole process starts all over again.

The HPP heat pump features a 'smart' pool pump control. The control tells the pump to start if heat is required, thus overriding the timer. A pressure gauge shows if there is sufficient refrigerant in the system.

The HPP 20 can operate from 3°C outside air temperatures. In this way the pool season can be extended for several months.

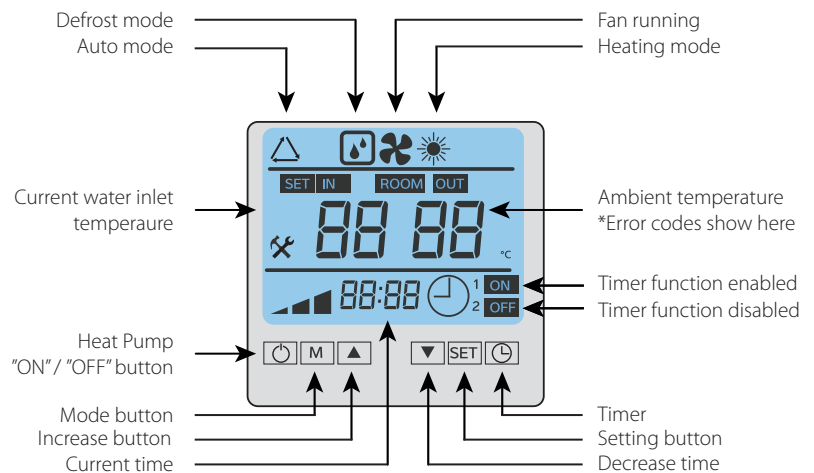
Applications

- Outdoor pools and spa
- Fresh water pools
- Salt water pools (up to 3% salt)
- Therapy pools

FEATURES

- Low sound level
- Nice design
- High efficiency titanium heat exchanger
- ABS cabinet
- 'Smart' pool pump control
- Water flow switch
- Pressure gauge

CONTROL



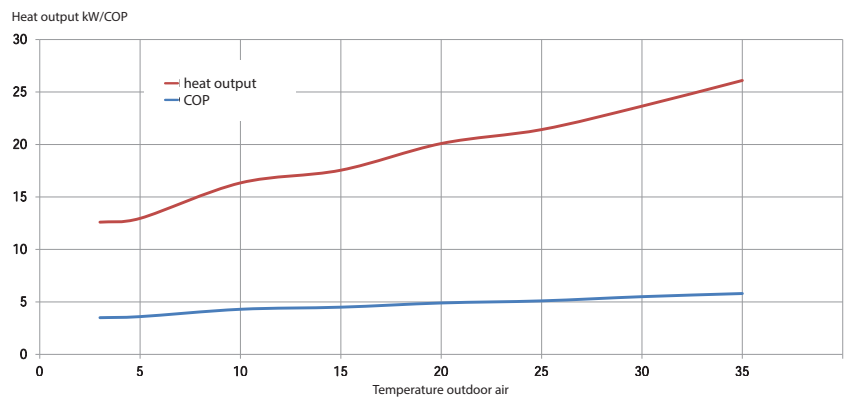
Accessories
Winter protection cover

TECHNICAL DATA

Model	HPP 20
Operating range – air temperature	3-35°C
Operating range – water temperature	15-40°C
Max. power consumption, nominal*	5,1 kW
Max. ampere consumption, nominal	7,4 A
Nominal air flow +/- 10 %	7.000 m ³ /h
Nominal water flow +/- 10 %	9.000 l/h
Power supply	400 V/3 ph/50 Hz
Sound level (3 m distance)	<41 dB(A)
Protection class	IPX4
Material - cabinet	ABS
Colour - cabinet	Merlin Grey RAL 1804005
Material - heat exchanger	Titanium
Refrigerant	R410a
Compressor type	Scroll
Weight, net	117 kg
GWP	2088

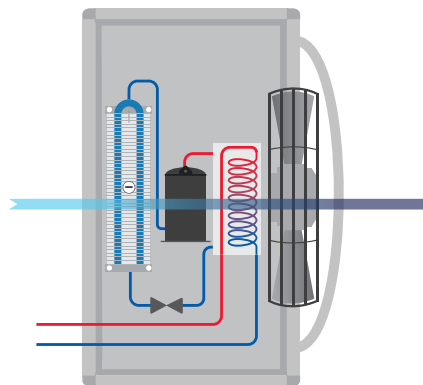
*Water temperature 32°C and outside condition 30°C, 45% RH.

CAPACITY CURVES



The curve is based on water temperature = 26°C and different outdoor temperatures are given at typical corresponding RH values.

HPP HEAT PUMP WORKING PRINCIPLE



DIMENSIONS

