

CLASSIC BLADE TRIM INSTALLATION GUIDE

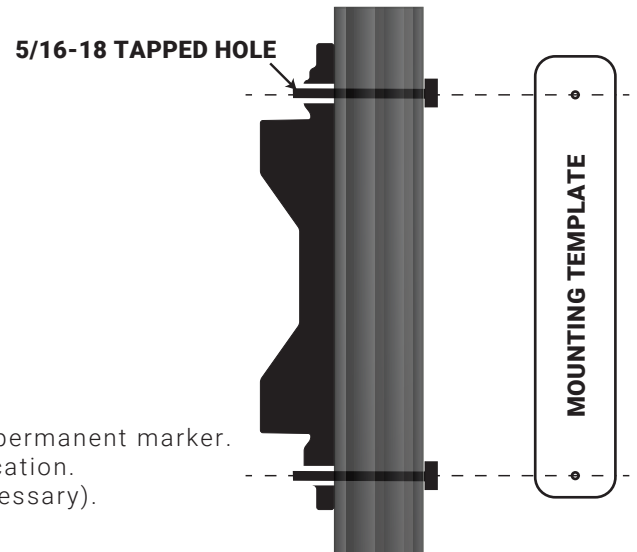
TOLL FREE: 1-800-705-1446 WE CAN HELP!

TOOLS REQUIRED

- Mounting Template (Provided)
- Mounting Hardware Packet (Provided)
- 3/8" Drill Bit
- 1/2" Wrenches
- Permanent Marker
- Tape Measure
- Hammer
- Center Punch
- Local Sign Ordinance Height and Location Requirements

INSTRUCTIONS

- 1) Hole location for sign installation is determined by the height requirement and orientation of the completed installation.
- 2) Measure from the top of post to the first hole location & mark w/ permanent marker.
- 3) Use the mounting template to locate and mark the bottom hole location.
- 4) Use hammer and center punch to dimple the hole locations (if necessary).
- 5) Use 3/8" drill bit to drill clearance hole.
- 6) Repeat steps 1-5 to drill holes on opposite side of post
- 7) Repeat steps 1-5 to drill holes on each side of post for second street sign
- 8) Mount Classic Blade Trim to post using 5/16-18 stainless steel bolts & washers (provided).
Cast aluminum bracket has (2) 5/16-18 tapped holes to accept thru-bolts.



NOTE: Mounting bracket will seat best to fluted post when mounting holes are drilled center in the recessed flute.



HARDWARE REQUIRED

ATTACHMENT FOR 3" ROUND FLUTED, SMOOTH OR SQUARE POST

- (2) 5/16-18 X 4" stainless steel hex bolts
- (4) 5/16" stainless steel flat washers
- (2) 5/16" stainless steel split lock washers

ATTACHMENT FOR 4" ROUND FLUTED, SMOOTH OR SQUARE POST

- (2) 5/16-18 X 5" stainless steel hex bolts
- (4) 5/16" stainless steel flat washers
- (2) 5/16" stainless steel split lock washers

COMPLETED SIGN INSTALLATION



NOTE: Sign face orientation and direction is a key component of the installation process. It is important to plan ahead to ensure that each sign may be viewed properly from each direction. It will be necessary to offset the height of two street blades mounted perpendicular to each other to avoid interference of the mounting hardware.

IMPORTANT: Hardware only included if purchased with post or if specified at time of order.

CLASSIC PADDLE TRIM INSTALLATION GUIDE

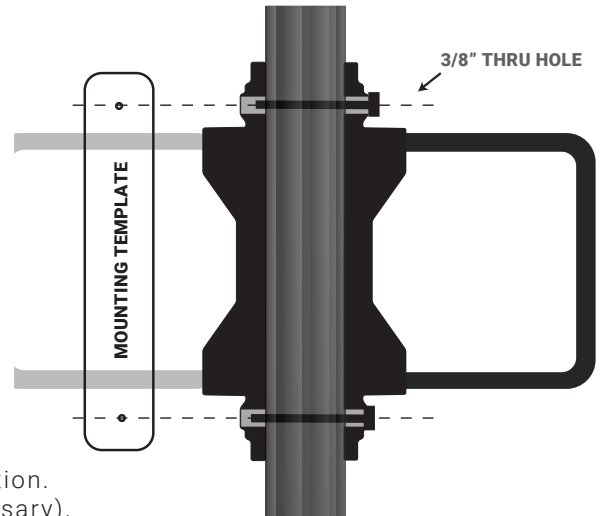
TOLL FREE: 1-800-705-1446 WE CAN HELP!

TOOLS REQUIRED

- Mounting Template (Provided)
- Mounting Hardware Packet (Provided)
- 3/8" Drill Bit
- 1/2" Wrenches
- Permanent Marker
- Tape Measure
- Hammer
- Center Punch
- Local Sign Ordinance Height and Location Requirements

INSTRUCTIONS

- 1) Hole location for sign installation is determined by the height requirement and orientation of the completed installation.
- 2) Measure from the top of post to the first hole location & mark w/ permanent marker.
- 3) Use the mounting template to locate and mark the bottom hole location.
- 4) Use hammer and center punch to dimple the hole locations (if necessary).
- 5) Use 3/8" drill bit to drill clearance hole.
- 6) Repeat steps 1-5 to drill holes on opposite side of post
- 7) Repeat steps 1-5 to drill holes on each side of post for second street sign
- 8) Mount Paddle Trim to post using 5/16-18 stainless steel bolts & washers (provided).
Cast aluminum bracket has (2) 5/16-18 tapped holes to accept thru-bolts.



NOTE: Brackets are pre-drilled with 3/8" holes ONLY when mounting 180 degree from classic blade trims. As specified in drawings. If not specified, brackets will come standard with 5/16-18 tapped holes

NOTE: Mounting bracket will seat best to fluted post when mounting holes are drilled center in the recessed flute.

HARDWARE REQUIRED

ATTACHMENT FOR 3" ROUND FLUTED, SMOOTH OR SQUARE POST

- (2) 5/16-18 X 4" stainless steel hex bolts
- (4) 5/16" stainless steel flat washers
- (2) 5/16" stainless steel split lock washers

ATTACHMENT FOR 4" ROUND FLUTED, SMOOTH OR SQUARE POST

- (2) 5/16-18 X 5" stainless steel hex bolts
- (4) 5/16" stainless steel flat washers
- (2) 5/16" stainless steel split lock washers

COMPLETED SIGN INSTALLATION



NOTE: Sign face orientation and direction is a key component of the installation process. It is important to plan ahead to ensure that each sign may be viewed properly from each direction. It will be necessary to offset the height of two street blades mounted perpendicular to each other to avoid interference of the mounting hardware.

IMPORTANT: Hardware only included if purchased with post or if specified at time of order.