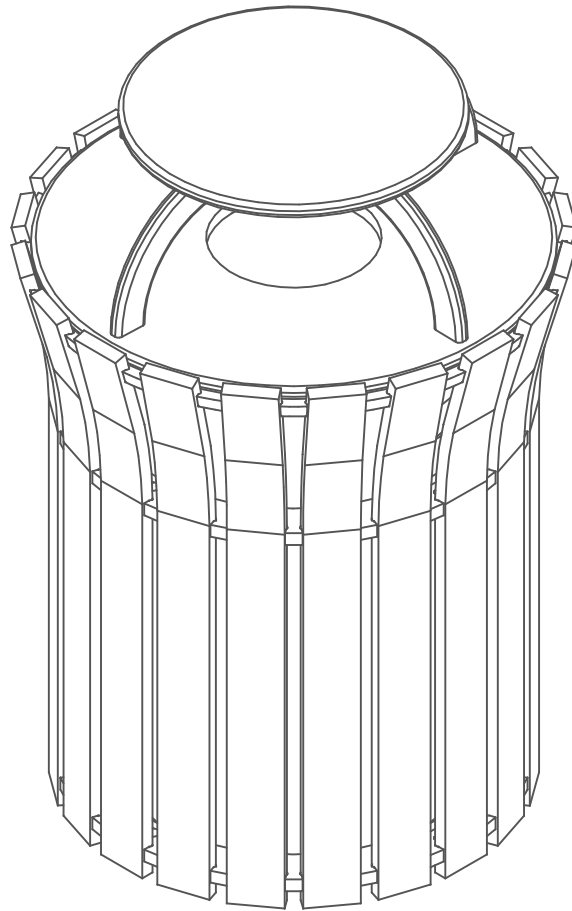


33 Gallon Capped Flare Top Receptacle

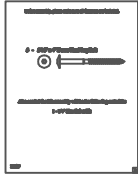
For Fastener Pack
(FP-RF33C-CU-01)



Congratulations !!

You have just purchased the finest recycled plastic
receptacle available. Enjoy !!!

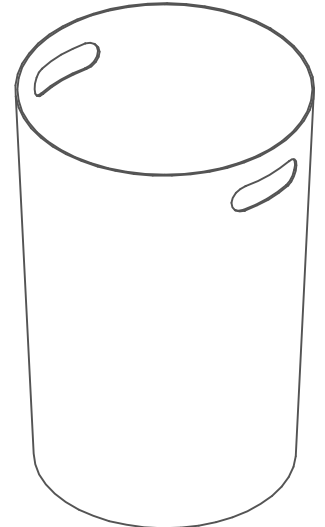
Before assembly, please make sure all components are included.



(1) - One Fastener Pack
FP-RF33C-CU-01

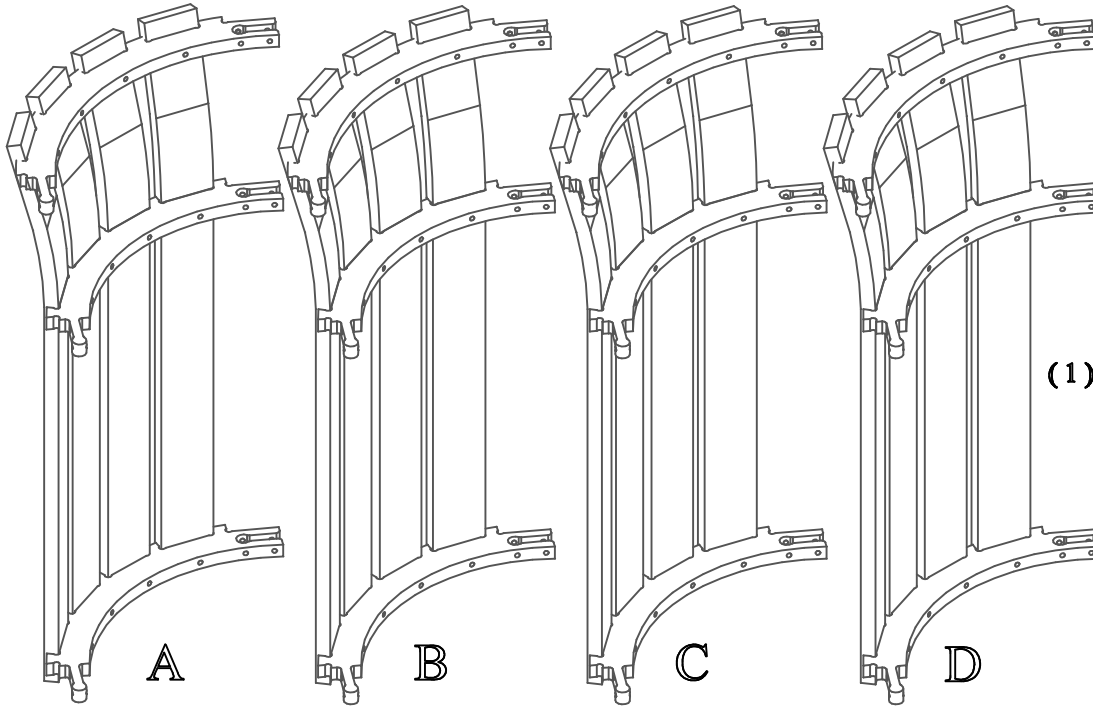
FP - Fastener Pack

(1) - One - 33 gal. Liner
S7852-00-159

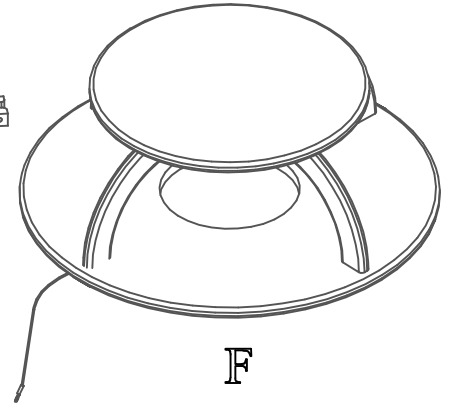


E

(4) - Four- 1/4 Panels
RTSA-RF33-QP-00

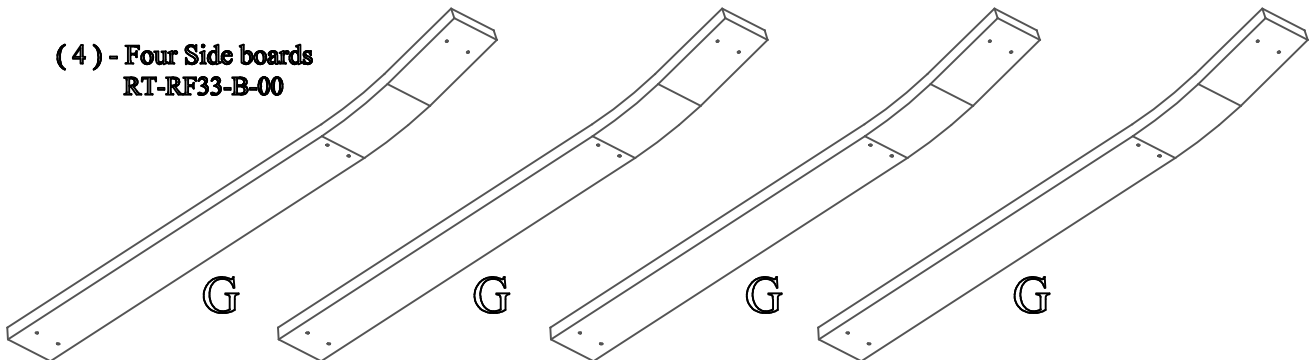


(1) - One Circular Capped Lid with Lanyard
RTSA-RT49C-A-01



F

(4) - Four Side boards
RT-RF33-B-00



FS-RF33C-CAP-01

Before assembly, please make sure all fasteners are included.

8 - #12 x 2-1/2" Pan Head Phillips Screw



16 - #12 x 2-1/4" Pan Head Phillips Screw

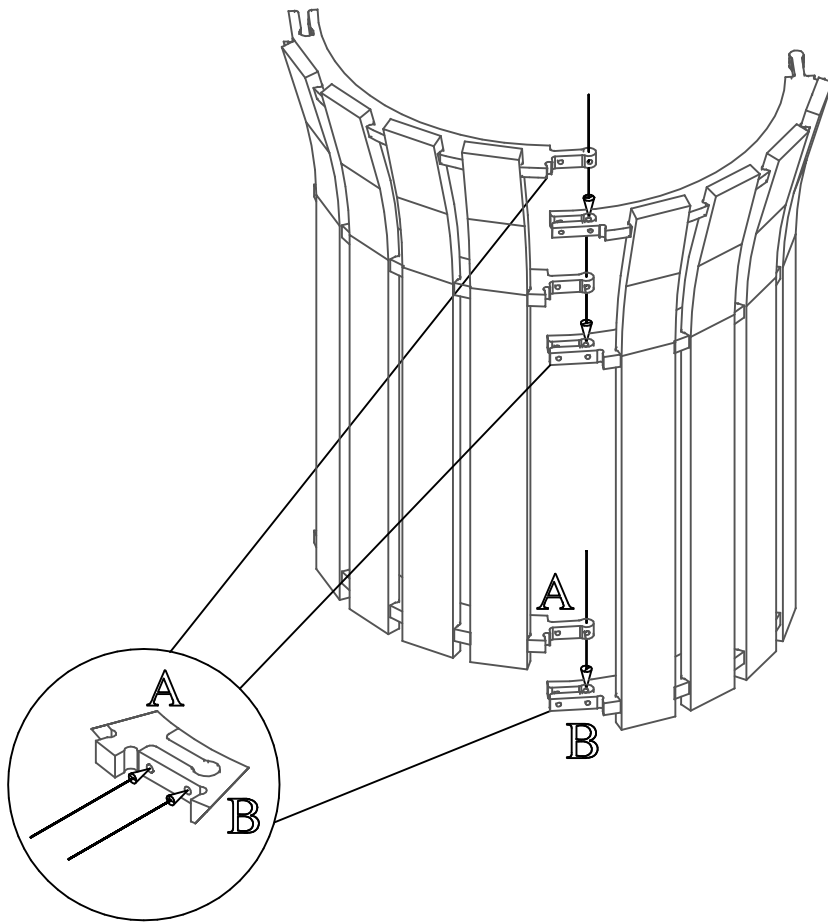


Also needed for this assembly will be the following materials:

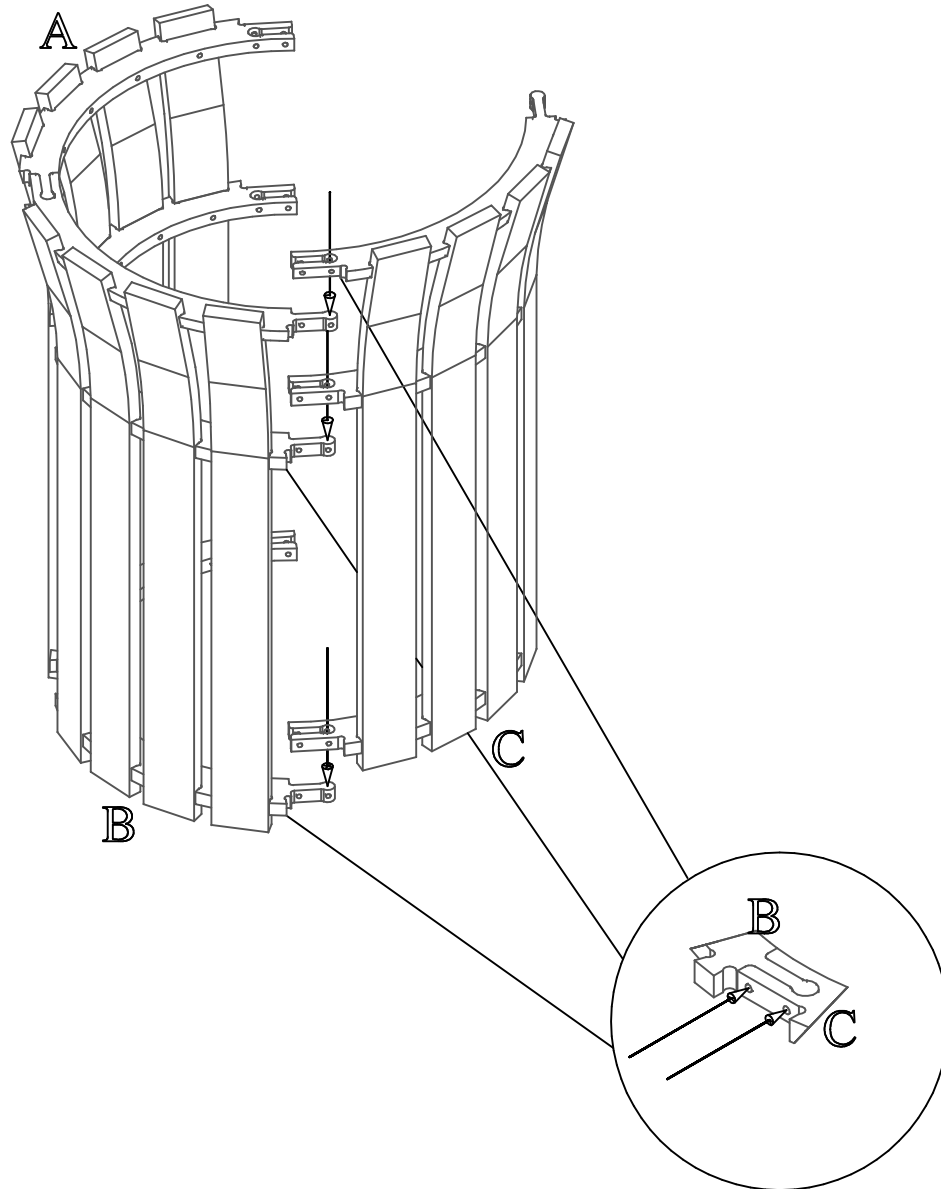
1 - #3 Phillips Drive Bit

***IMPORTANT NOTICE*:**

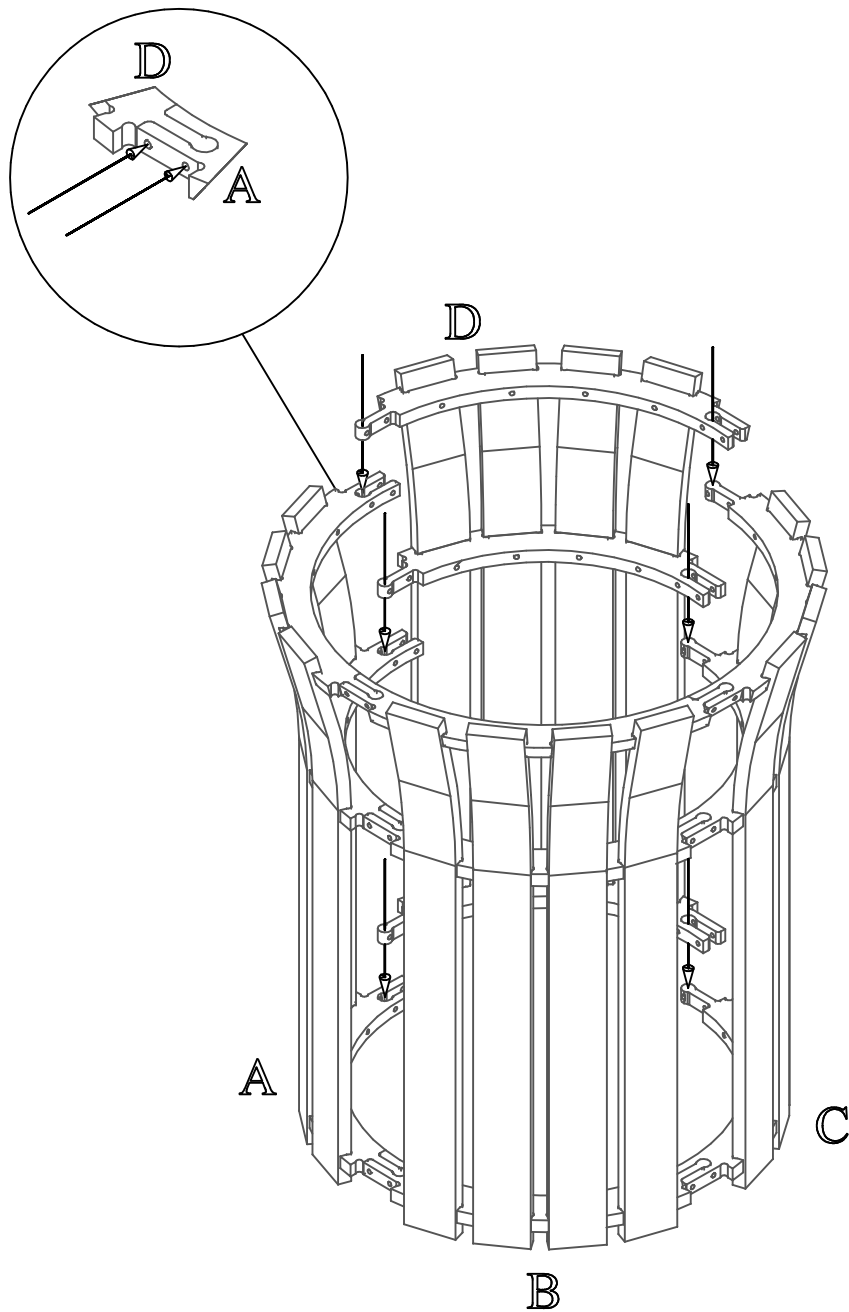
- * DO NOT OVER-TIGHTEN SCREWS.
- * USE A DRILL WITH ADJUSTABLE TORQUE FOR BEST RESULTS.
- * OVER-TIGHTENING MAY RESULT IN STRIPPING OUT THE PILOT HOLE, AND SCREW MAY "SINK" INTO THE PLASTIC WHICH MAY CAUSE A STRESS FRACTURE.



Step 1: Take Panel A and place it in the vertical position, align panel B with panel A in the vertical position making sure the rail aligns with the top and the bottom. Slide the rails in a downward motion until they are even. Make sure the holes in the rails are aligned.

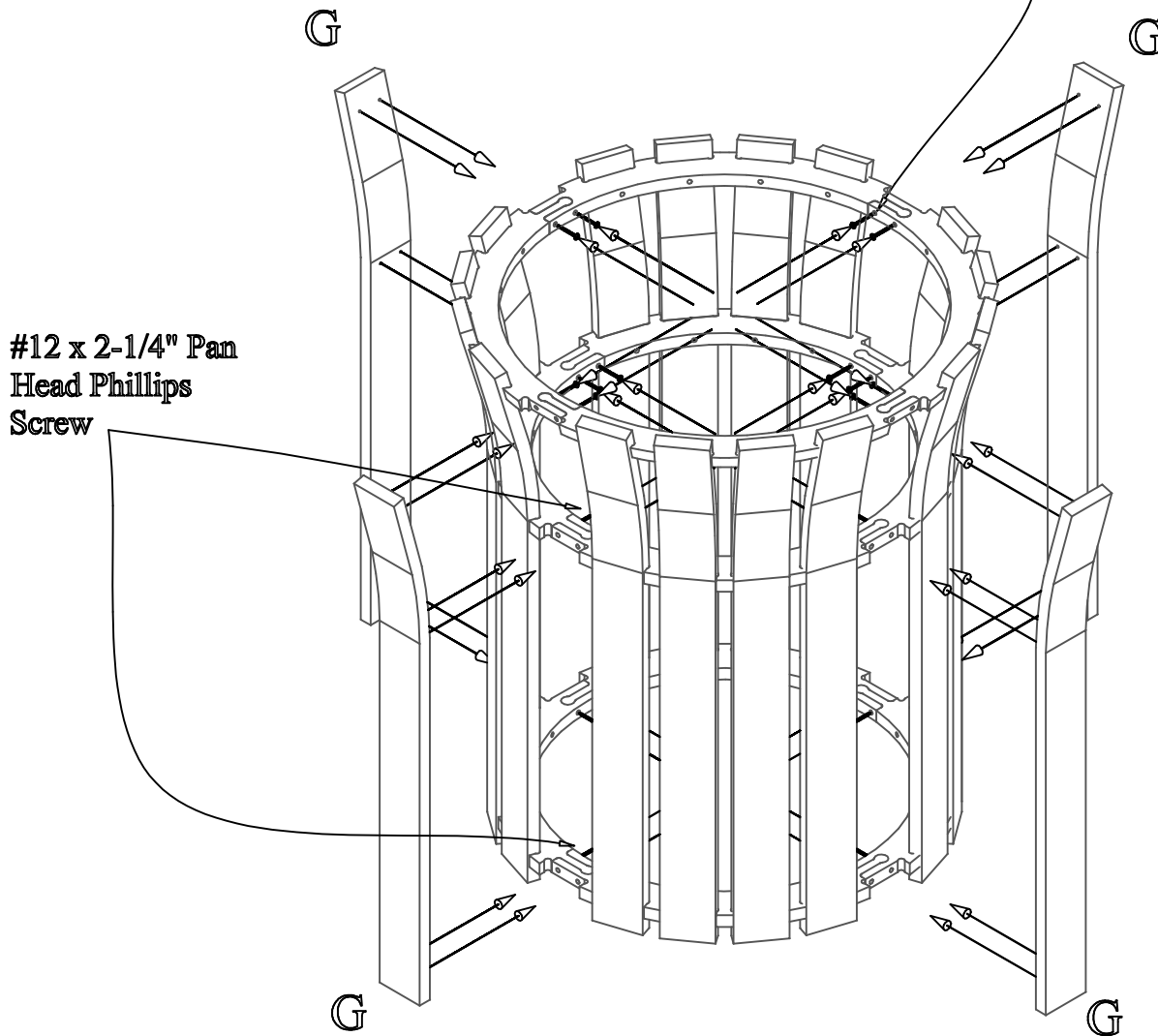


Step 2: Take Panel C place it in the vertical position, aligning it with Panel B. Slide the rail of panel C in a downward motion and align the holes in the rail.



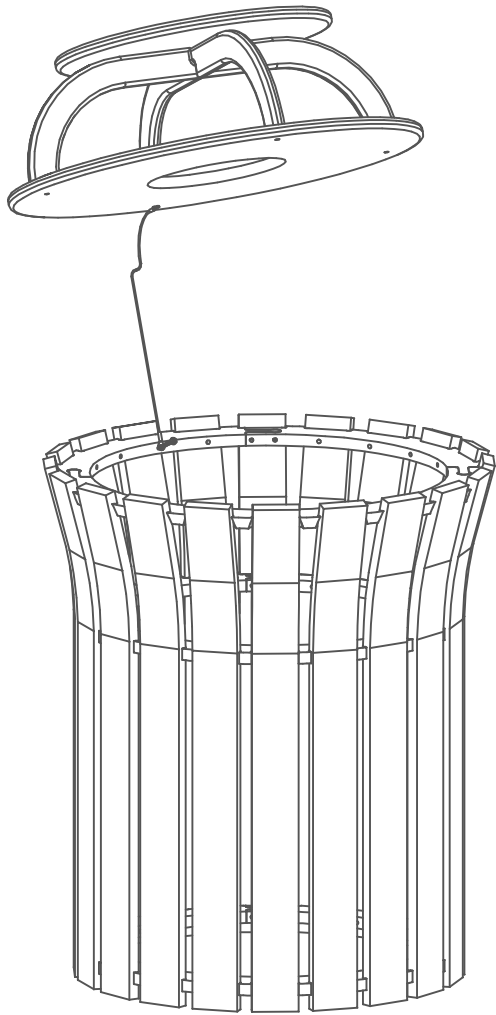
Step 3: Take Panel D place it in the vertical position, aligning it with Panels A and C. Slide the rail of panel D in a downward motion and align the holes in the rail.

#12 x 2-1/2" Pan
Head Phillips
Screw



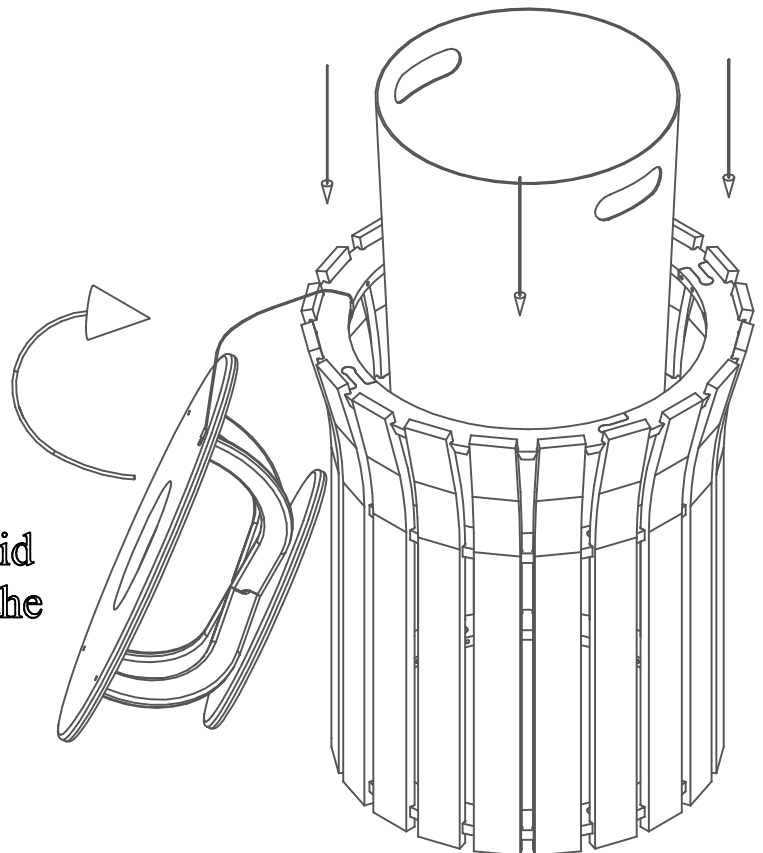
#12 x 2-1/4" Pan
Head Phillips
Screw

Step 4: Place board G in the proper alignment with the top, middle and bottom rails carefully aligning the holes in the rails with the pilot holes in board G. Once you have the holes aligned insert (1) - One #12 x 2-1/2"- Pan Head Phillips Screw per hole of the TOP RING ONLY and (1) - One #12 x 2-1/4" - Pan Head Phillips Screw per hole in the bottom and middle rings. Make sure both screws are all the way in and tight on the top rail before moving to the middle rail. Once you have gone all the way around the top and middle rails, flip the trash can up-side-down and repeat the previous steps to complete the bottom rail. (Note: Please be careful to not over-tighten the screws.)



Step 5: If you would like to take advantage of the supplied Lid Lanyard, just remove the desired screw from the top rail and re-secure it with the lanyard attached.

(Just remove the screw in the lid if you would like to forgo the use of the Lid Lanyard.)



Step 6: Finally, put the liner in the receptacle as shown and place the lid on the top rail with the lanyard on the underside (if attached).

DEAR VALUED CUSTOMER,

THANK YOU FOR PURCHASING THIS PRODUCT. THIS PRODUCT IS MANUFACTURED USING RECYCLED MATERIALS AND MAY HAVE SLIGHT COLOR VARIATIONS, OCCASIONAL SPECKS OF COLOR OR IRREGULAR SURFACE PATTERNS. THESE ARE NORMAL CONDITIONS OF RECYCLED PLASTICS AND MAKE EACH PIECE OF FURNITURE UNIQUE. THESE CHARACTERISTICS DO NOT AFFECT THE STRENGTH, QUALITY OR PERFORMANCE OF THE PRODUCT.

THANK YOU AGAIN FOR PURCHASING THIS PRODUCT AND HELPING OUR ENVIRONMENT.