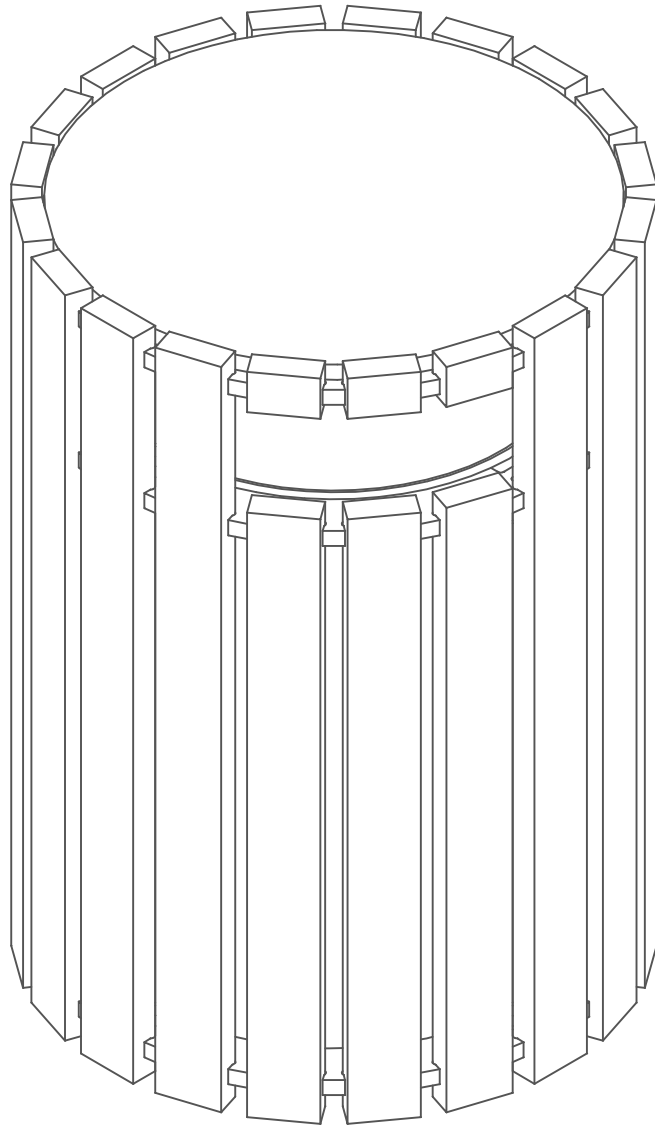


33 Gallon Round Receptacle

For Fastener Pack
(FP-R33C-CU-01)

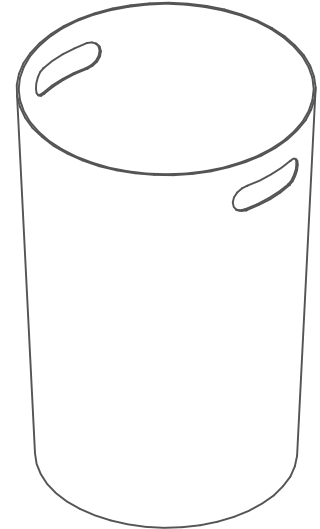


Congratulations !!

You have just purchased the finest recycled plastic
receptacle available. Enjoy !!!

Before assembly, please make sure all components are included.

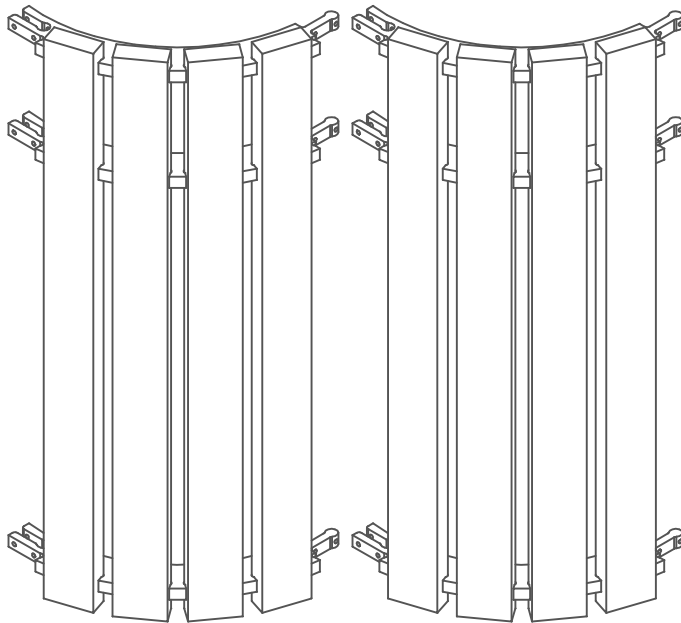
(1) - One - 33 gal. Liner
S7852-00-159



33 gal. Liner

E

(2) - Two - 1/4 Panel's
RTSA-R33C-QPA-01

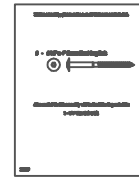


RTSA-R33C-QPA-01

A

RTSA-R33C-QPA-01

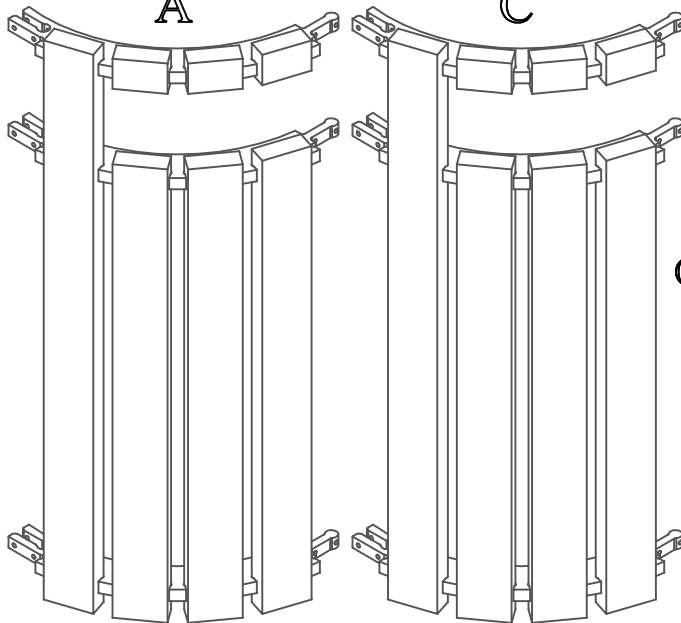
C



(1) - One Fastener Pack
FP-R33C-CU-01

FP - Fastener Pack

(2) - Two - 1/4 Panel's w/opening
RTSA-R33C-QPB-01



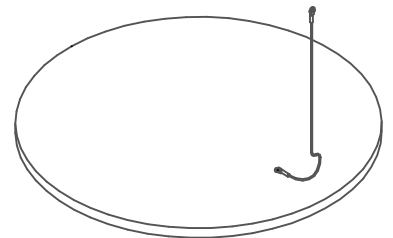
RTSA-R33C-QPB-01

B

RTSA-R33C-QPB-01

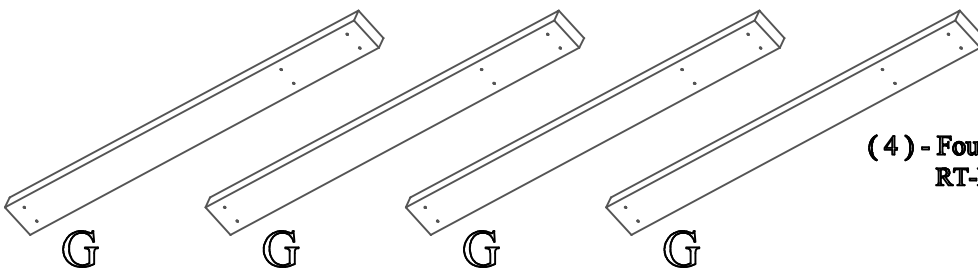
D

(1) - One Circular Lid w/ Lanyard
RT-R33C-D-01



F

(4) - Four Side boards
RT-R33C-B-01



G

G

G

G

RT-R33C-B-01 RT-R33C-B-01 RT-R33C-B-01 RT-R33C-B-01

FS-R33C-CAP-01

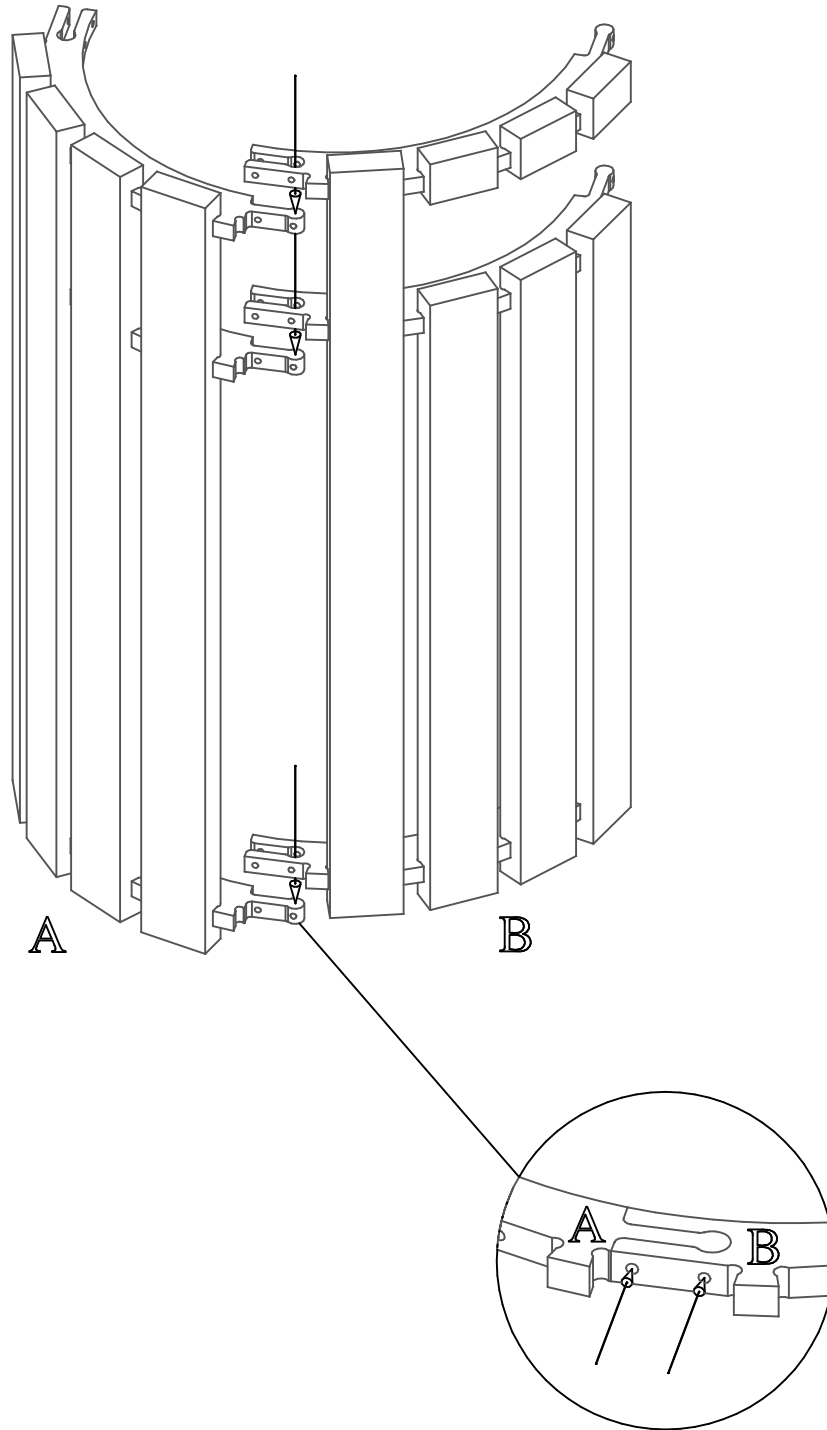
Before assembly, please make sure all fasteners are included.

24 - #12 x 2 1/2" Pan Head Phillips Screw

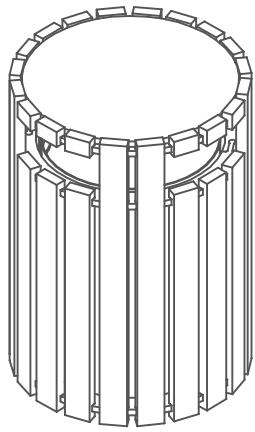


Also needed for this assembly will be the following materials:

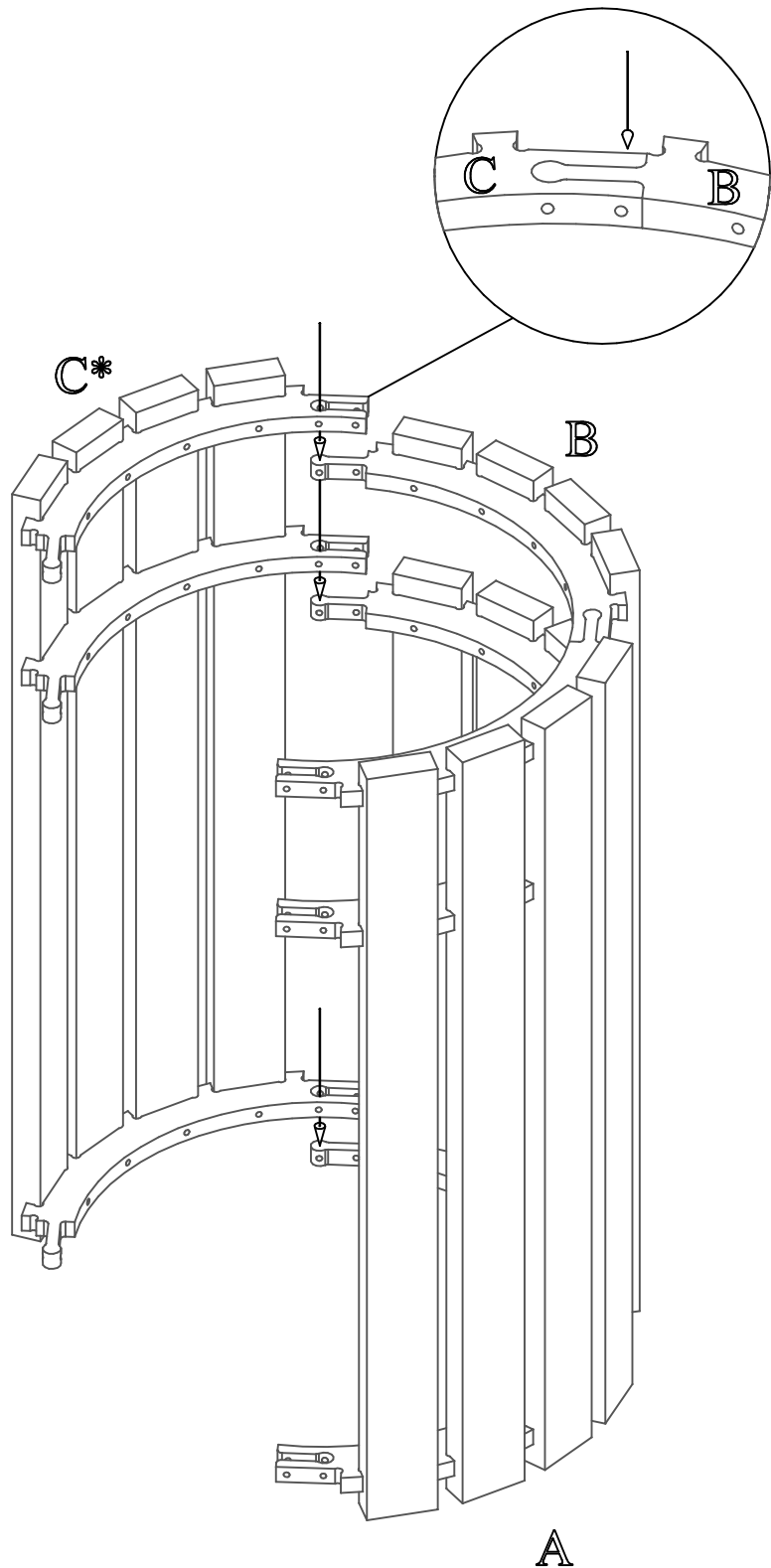
1 - #3 Phillips Drive Bit



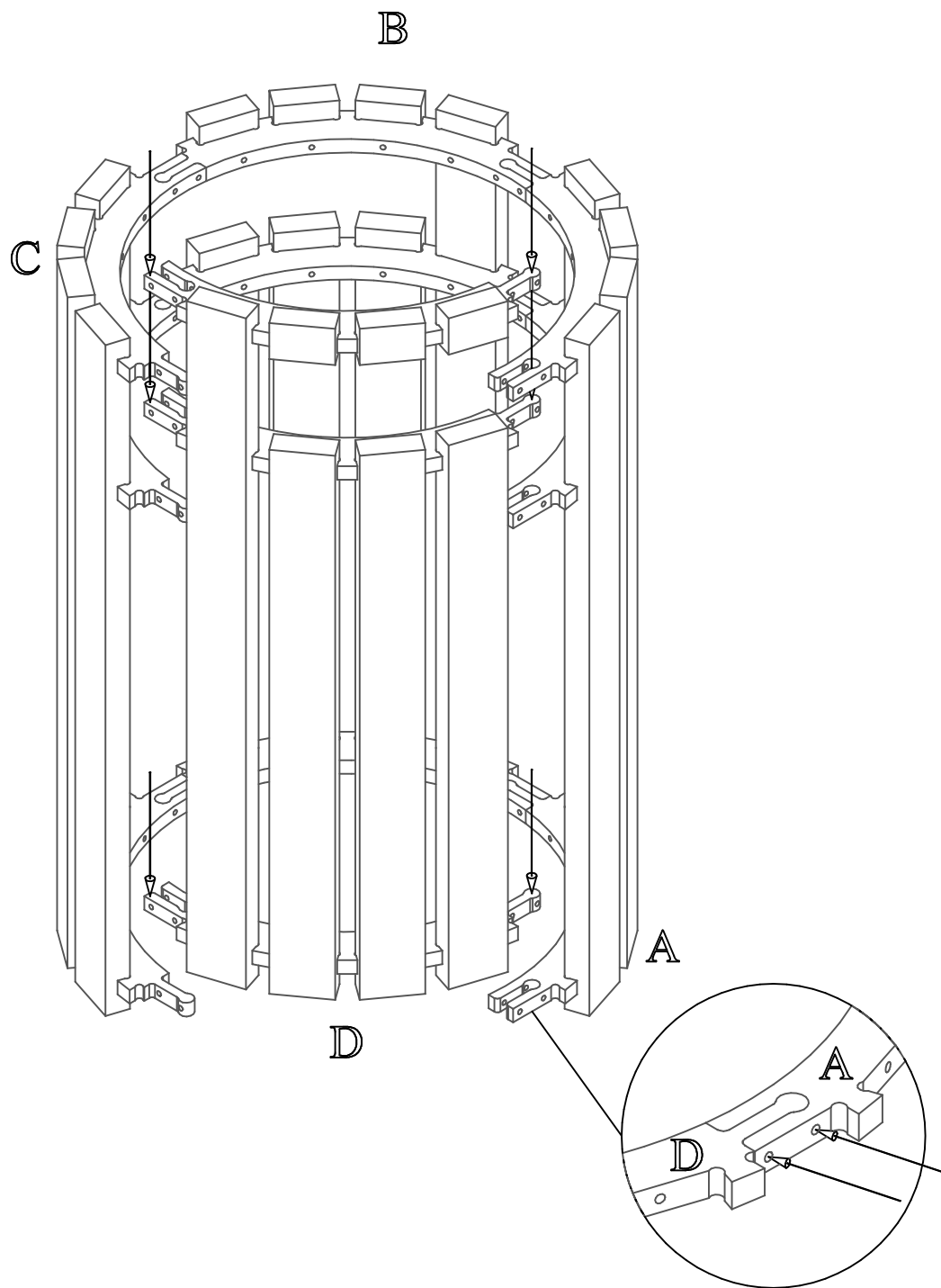
Step 1: Take Panel A and place it in the vertical position, align panel B with panel A in the vertical position making sure the rails align with the top and the bottom. Slide the rails in a downward motion until they are even. Make sure the holes in the rails are aligned.



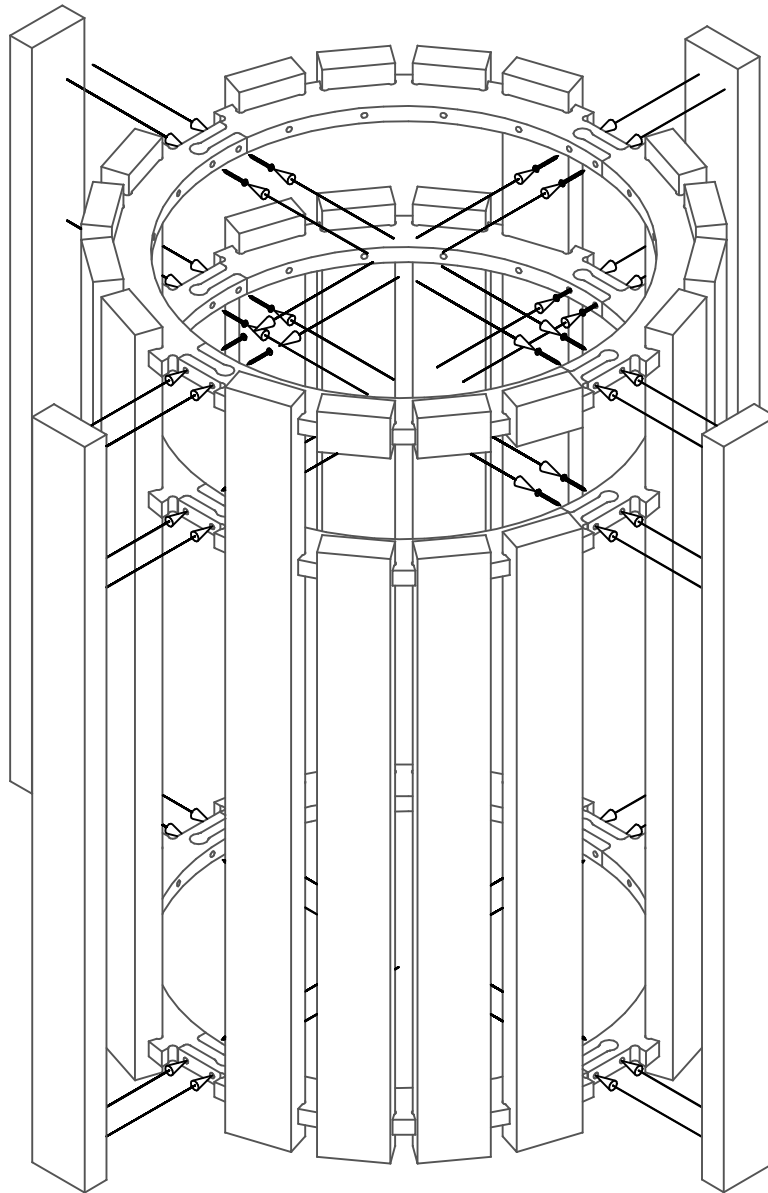
***NOTE: IF YOU WOULD LIKE YOUR RECEPTACLE IN THE CONFIGURATION ABOVE (FOR CORNER LOCATIONS), SWAP PANEL C WITH PANEL D IN THIS STEP.**



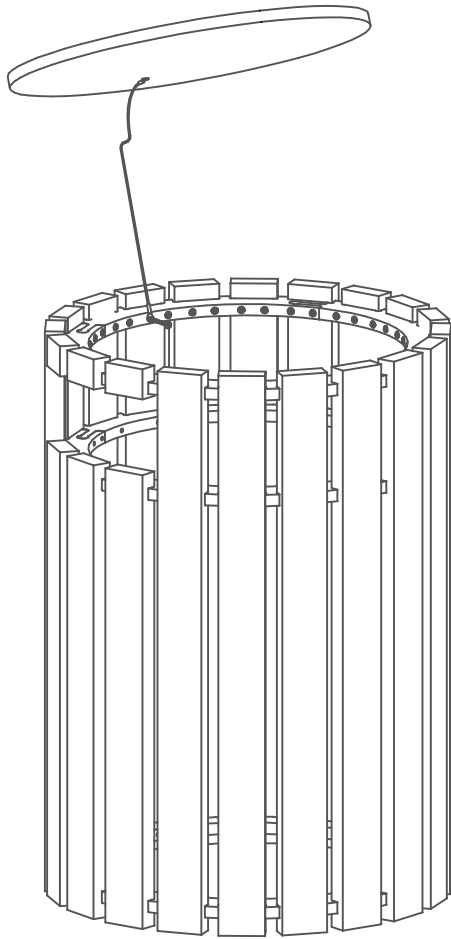
Step 2: Take Panel C* place it in the vertical position, aligning it with Panels A and B. slide the rail of panel C in a downward motion and align the holes in the rail.



Step 3: Take Panel D place it in the vertical position, aligning it with Panels A and C. Slide the rail of panel D in a downward motion and align the holes in the rail.

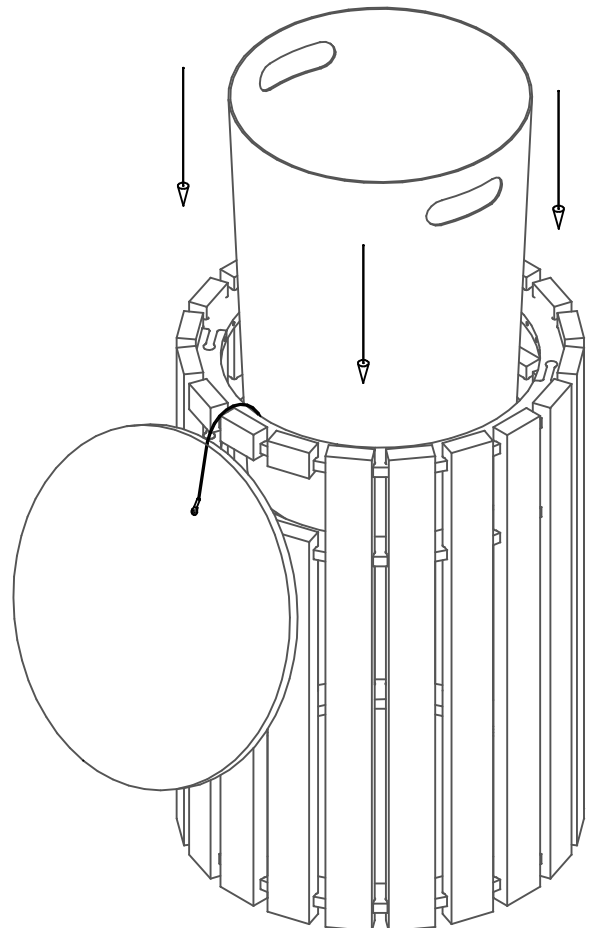


Step 4: Place board G in the proper alignment with the top and bottom rails carefully aligning the holes in the rails with the pilot holes in board G. Once you have the holes aligned insert (1) - One #12 x 2 1/2"- Pan Head Phillips Screw per aligned hole. Make sure both screws are in and secure on the top two rails (Note: Please be careful to not over tighten the screws.) Once you have gone around both of the top rails, flip the receptacle up-side down and repeat the previous steps to complete the bottom rail.



Step 5: If you would like to take advantage of the supplied Lid Lanyard, just remove the desired screw from the top rail and re-secure it with the lanyard attached. Just remove the screw in the lid if you would like to forgo the use of the Lid Lanyard.

Step 6: Finally, put the liner in the receptacle as shown and place the lid on the top rail with the lanyard on the underside (if attached).



DEAR VALUED CUSTOMER,

THANK YOU FOR PURCHASING THIS PRODUCT. THIS PRODUCT IS MANUFACTURED USING RECYCLED MATERIALS AND MAY HAVE SLIGHT COLOR VARIATIONS, OCCASIONAL SPECKS OF COLOR OR IRREGULAR SURFACE PATTERNS. THESE ARE NORMAL CONDITIONS OF RECYCLED PLASTICS AND MAKE EACH PIECE OF FURNITURE UNIQUE. THESE CHARACTERISTICS DO NOT AFFECT THE STRENGTH, QUALITY OR PERFORMANCE OF THE PRODUCT.

THANK YOU AGAIN FOR PURCHASING THIS PRODUCT AND HELPING OUR ENVIRONMENT.