



| | |
|-----------------|-------|
| Catalog Number: | |
| Project: | |
| Comments: | |
| Prepared By: | Date: |

Description

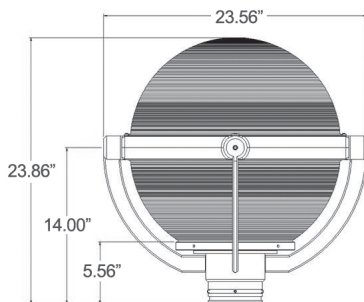
At Lumecon, we strive to provide you with the best quality American Made plastic enclosures available on the market. The Thirty-Five West post-top fixture utilizes our patented thermal integrated trim ring for maximum heat dissipation and superior lumen uniformity to illuminate your next downtown, park, or commercial development project.

Performance Data

| Model | Watts | Equiv | Delivered Lumens | Efficacy |
|------------------------------------|-------|----------|------------------|----------|
| Thirty-Five West L35W - 1 (Type V) | 54W | 100W HID | 3,876 Lm | 72 LPW |
| Thirty-Five West L35W - 2 (Type V) | 84W | 175W HID | 5,953 Lm | 72 LPW |
| Thirty-Five West L35W - 3 (Type V) | 118W | 250W HID | 8,426 Lm | 72 LPW |

Dimensions & Weights

| Model | Ring Diameter | Globe Height | Weight |
|-------|---------------|--------------|------------|
| L35W | 23.56" | 23.86" | 35.35 lbs. |



Technical Specifications

INPUT VOLTAGE: 120-277V or 347-480V

LIGHT DISTRIBUTION: LEDs are mounted to the inside of the fixture trim ring which serves as a heat sink to ensure optimal heat dissipation. This type of mounting allows for a Type 5 light distribution pattern.

GLOBE: Our two-piece acrylic lens post top features precise prisms achievable only through injection molding. The prisms provide pleasing daytime "prismatic sparkle" and provide excellent uniformity, light distribution and efficiency for nighttime performance. The globe carries a 20 year warranty which includes resistance to yellowing as we define as having a yellowness index of less than 7.

A cutoff light lid and a diffuser panel option are available to help limit the amount of uplight emitted from the fixture. The cutoff light lid is a solid polished reflector that virtually eliminates light to the upper globe, while the diffuser panel is a frosted panel that allows for 30% uplight to provide a pleasing glow to the upper section of the fixture.

FITTER: Slip fits over 2 7/8" and 3" OD tenons on most decorative poles. Uses A356 aluminum comprises 92.05% Aluminum, 7% Silicon, 0.35% Magnesium, 0.20% Iron, 0.20% Copper, 0.10% Manganese, and 0.10% Zinc. It is lightweight and highly corrosion-resistant, like stainless steel. Heat treated to improve strength—low impurities cause high strength and ductility.

FINISH: Cast aluminum housing with textured or 60% gloss polyester powder coat finishes for maximum durability. The base aluminum material is prepared using an environmentally friendly non-chrome 2-step surface cleaning and passivation process. The process results in a more durable conversion layer than traditional chromate conversion coatings and allows maximum powder coating adhesion to the aluminum fitter.

EFFECTIVE PROJECTED AREA (EPA): 0.65 ft²

COLOR TEMPERATURE: 2200K, 2700K, 3000K, 4000K, and 5000K.

LED LIFETIME: All LED's are rated for a minimum of 100,000 hours of continuous operation at ambient temperatures from -40°F/-40°C to 115°F/46°C.

COLOR RENDERING INDEX (CRI): Minimum of 80 or higher.

Dimming: 0-10V standard dimming capability.

SURGE PROTECTION: Thermally protected 20kA/ 40kV varistor type surge suppressor is included and meets ANSI C136.2-2015: Extreme Level. Also meets IEC61643-11 Class II / EN61643-11 Type 2, and US Dept of Energy MSSLC Model Spec for surge protection. The device is wired in series with the luminaire input power in order to interrupt power to the luminaire when consumed, protecting the LED power supply and circuit boards from additional electrical surges.

LUMECON ETD™ SYSTEM: The enhanced thermal dissipation system engines are thermally bonded to provide maximum thermal dissipation to the exterior of the fixture to ensure long life. To protect the light engine panel from moisture and corrosion, the LED light engine panel is uniformly coated with a UV stabilized acrylic polymer resin that meets MIL and ASTM dielectric standards, UL, and IPC standards for flammability, moisture resistance and thermal shock.

MANUFACTURING ORIGIN: US Manufactured and Assembled.

BABA COMPLIANT: Meets Build America, Buy America Act Included in the Infrastructure Investment and Jobs Act, Public Law Number 117-58, Title IX, Subtitle A, Part I – Buy America Sourcing Requirements, Sections 70911-70917 stating Manufactured in the U.S. The cost of components mined, produced, or manufactured in the U.S. is greater than 55 percent of the total cost of all manufactured product components.

WARRANTY: 10 Year L70 performance based warranty. For full warranty terms, please visit our website: www.lumecon.com



Ordering Information

L35W Options / Ordering Example: L35W-1-1-NW-B-D

| Wattage / Distribution | Voltage | Color Temperature | Paint Color |
|------------------------|---------------|-------------------|------------------------------|
| 1 - 54W / Type V | 1 - 120v-277v | 22 - 2200K | B - Black |
| 2 - 84W / Type V | 2 - 347v-480v | WW - 2700K | CC - Custom Color |
| 3 - 117W / Type V | | OW - 3000K | <i>*Will need RAL number</i> |
| | | NW - 4000K | |
| | | CW - 5000K | |

Options & Accessories

PC1 - 120v-277v Button Eye Style

PC4 - 347v-480v Button Eye Style

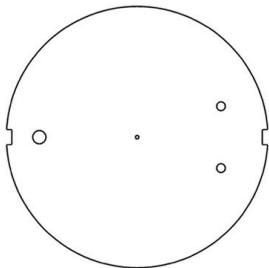
7P - Seven-pin Twist Lock Photocell Receptacle Only

C - Cutoff Reflective Litelid

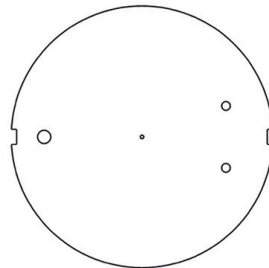
D - Diffuser Cutoff Litelid

3TA - 3" Pole Adapter

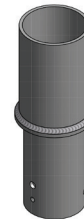
Options & Accessories Images



C - Cutoff Reflective Litelid:
A thin, MIRO(r) reflective-full cut off lite lid that is strong, ultra-lightweight and dark sky compliant.



D - Diffuser Cutoff Litelid:
An acrylic/polycarbonate diffused lite lid that's tough and lightweight, with outstanding optical properties diffusing 80% of up light.



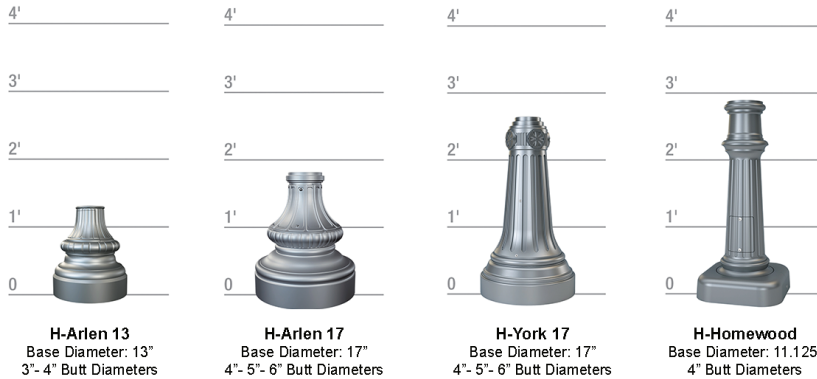
3TA: 3" Pole Adapter

OPTIONAL BASE AND POLE ORDERING INFORMATION

| POLE OPTIONS | DECORATIVE BASE OPTIONS |
|---|--|
| X - None | X - None |
| H-RSA - Round Straight Aluminum | Arlen-13 |
| H-RTA - Round Tapered Aluminum | Arlen-17 |
| H-RFA - Round Fluted Aluminum | York-17 |
| | Homewood |
| For additional Options click here: Pole Options | For additional Options click here: Decorative Base Options |

Decorative Bases Ordering Information

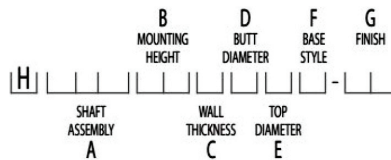
Over 58 Base options available. The most popular listed below. [To view all options, download Base guide here.](#)



Pole Ordering Information

Pole Ordering Example: H-RTA30D8B4-01

Rounded Tapered Aluminum, 30' Mounting Height, .188" Wall Thickness, 8" Butt Diameter, 4.5" Top Diameter, 4-Bolt Base, Satin Aluminum Finish



A General Assembly

H-RSA - Round Straight Aluminum
H-RTA - Round Tapered Aluminum
H-RFA - Round Fluted Aluminum

B Mounting Heights

08 - 8" 14 - 14" 20 - 20"
10 - 10" 16 - 16" 25 - 25"
12 - 12" 18 - 18" 30 - 30"

C Wall Thickness

B - 0.125" F - 0.250"
C - 0.156" G - 0.312"
D - 0.188" H - 0.375"
E - 0.219"

D Butt Diameter

1 - 10" 5 - 5" 7 - 7"
2 - 12" 6 - 6" 8 - 8"
4 - 4" J - 6.625 9 - 9"

E Top Diameter

A - 3"
B - 4.5"
C - 6"

F Base Style

3 - 3-Bolt Anchor Base
4 - 4-Bolt Anchor Base
V - Bee Hive Base
H - Hinged Anchor Base
E - Direct Buried (Embed)
F - Breakaway Transformer Base

G Finish

01 - Satin Aluminum (RTA and RSA)
02 - Satin Aluminum (SSA)
BA - Black Powder Coat
BH - White Powder Coat
BM - Dark Bronze Powder Coat
BV - Dark Green Powder Coat
GC - Gray Powder Coat
.. - Specify Finish

For additional Options, download [Pole Guide Here](#)