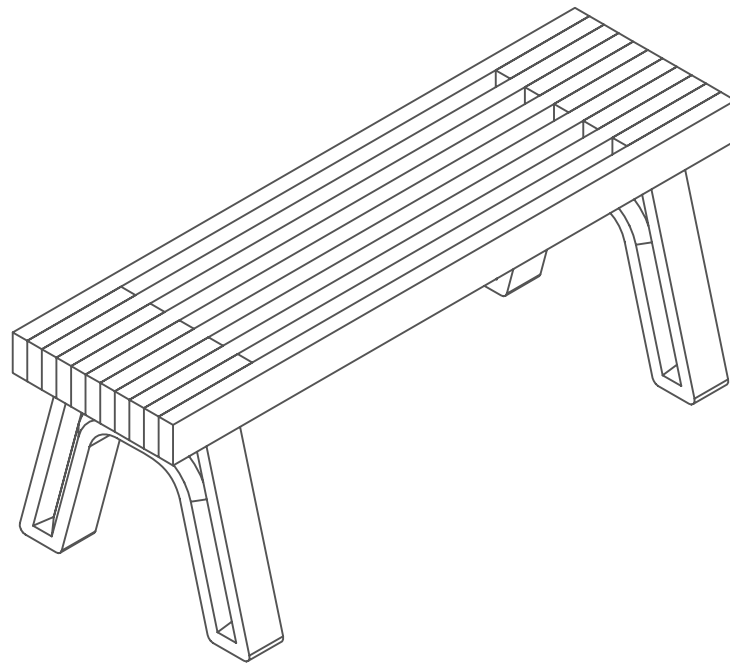


# 4 Foot Elite Flat Park Bench

For Fastener Pack  
(FP-EB4F-CU-02)



Congratulations !!

You have just purchased the finest recycled plastic  
park bench available. Enjoy !!!

Before assembly, please make sure all components are included.

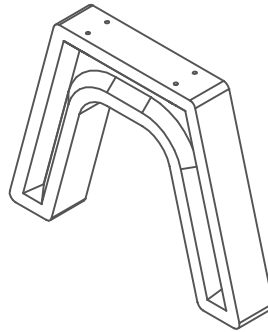
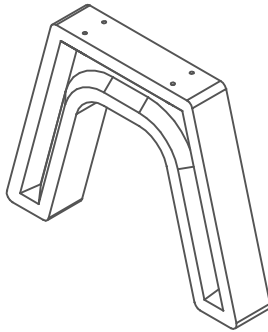


**( 1 ) - One Fastener Pack  
FP-EB4F-CU-02**

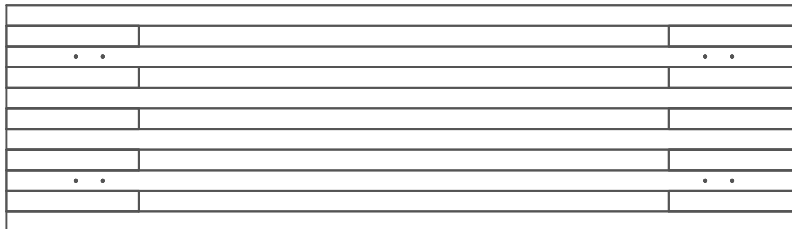
**FP - Fastener Pack**

**A - Bench End**

**A - Bench End**



**( 2 ) - Two Bench Ends  
PS-SFBE-EB-01**



**( 1 ) - One Bench Board  
BSA-EB4F-A-02**

Before assembly, please make sure all fasteners are included.

8 - #12 x 2 1/2" Flat Head Phillips Screw



Also needed for this assembly will be the following materials:

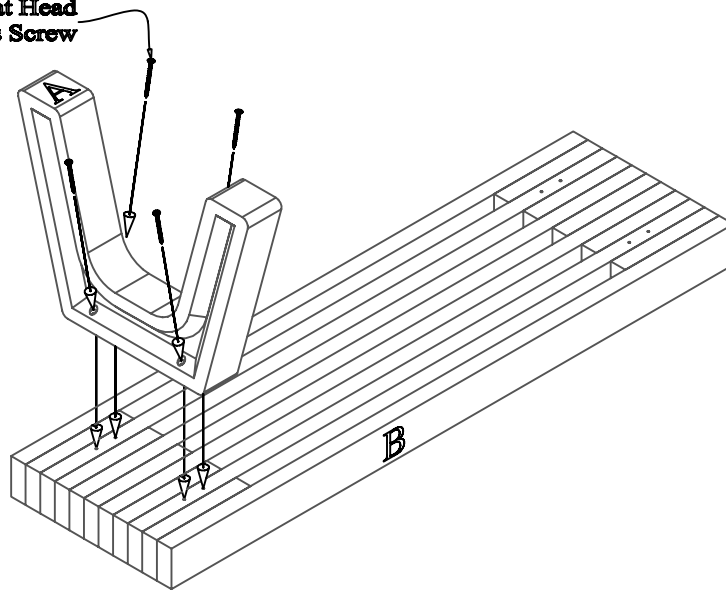
1 - #3 Phillips Drive Bit

In order to make assembly a little easier, dip threads of fasteners in some liquid soap.

## Step #1:

On a level surface place the Bench Board on the cardboard that your bench was shipped in with the pilot holes facing up.

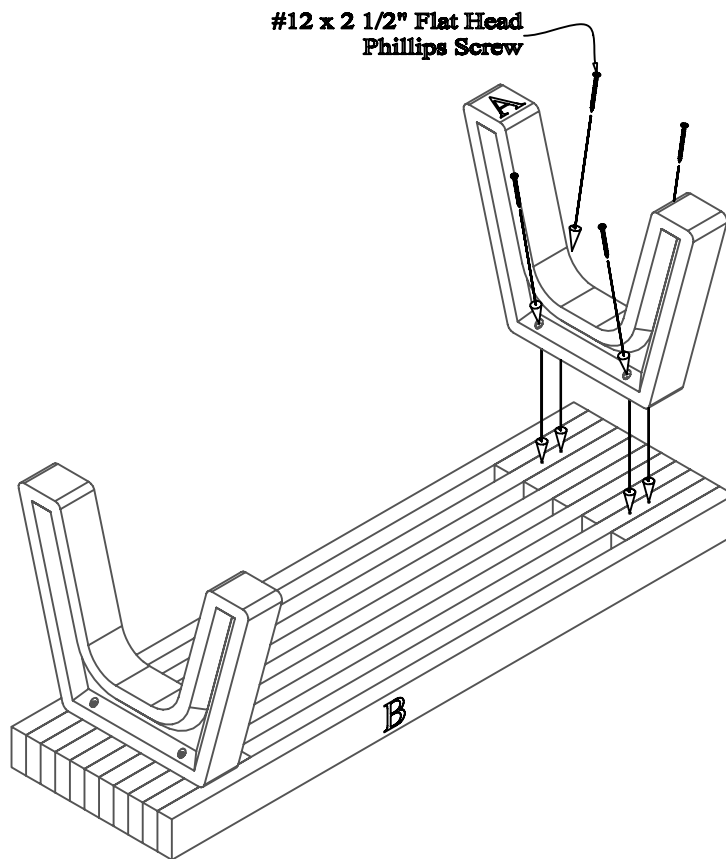
#12 x 2 1/2" Flat Head  
Phillips Screw



## Step #2:

Position (1) One Bench End being sure to align the pre-drilled holes to the pilot holes in the bench seat. After the holes are properly aligned, fasten with (1) One #12 x 2 1/2" Flat Head Phillips Screw per hole to secure.

Note: Do not tighten screws completely. This will be done in a later step.



**Step #3:**

Align the remaining Bench End with the remaining pilot holes in the bench seat. After the holes are properly aligned, fasten with (1) One #12 x 2 1/2" Flat Head Phillips Screw per hole to secure.

**Note:** Be sure to tighten all screws completely after this step.

DEAR VALUED CUSTOMER,

THANK YOU FOR PURCHASING THIS PRODUCT. THIS PRODUCT IS MANUFACTURED USING RECYCLED MATERIALS AND MAY HAVE SLIGHT COLOR VARIATIONS, OCCASIONAL SPECKS OF COLOR OR IRREGULAR SURFACE PATTERNS. THESE ARE NORMAL CONDITIONS OF RECYCLED PLASTICS AND MAKE EACH PIECE OF FURNITURE UNIQUE. THESE CHARACTERISTICS DO NOT AFFECT THE STRENGTH, QUALITY OR PERFORMANCE OF THE PRODUCT.

THANK YOU AGAIN FOR PURCHASING THIS PRODUCT AND HELPING OUR ENVIRONMENT.