



<b>Project:</b>	<b>Type:</b>
<b>Prepared By:</b>	<b>Date:</b>

The Turtle In-Use weatherproof cover protects in-use electrical devices in wet locations. Strong and durable enough to last in all weather conditions, year round. Clear cover with colored back plate.

Color: Black

Weight: 0.4 lbs

**Technical Specifications**

**Compliance**

**UL Listed:**

Suitable for wet locations. Fixtures with ground wire must be used.

**Construction**

**Materials:**

Post PVC Cap ABS In-Use Cover Clear PVC MP  
Adapter ABS Junction Box Polycarbonate

**Set Screw:**

Locks cap to post and prevents rotation

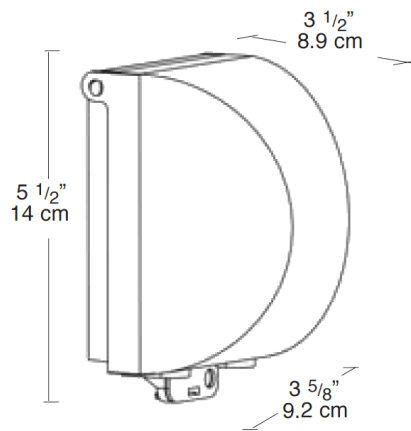
**Other**

**Patents:**

Pat. D533,510.

**Buy American Act Compliance:**

RAB values USA manufacturing! Upon request, RAB may be able to manufacture this product to be compliant with the Buy American Act (BAA). Please contact customer service to request a quote for the product to be made BAA compliant.

**Dimensions****Features**

- Clear PVC plastic turtle cover with lockable latch
- Fits all standard rectangular covers
- Durable molded ABS Post Adapter
- Close up plug included
- Knockout holes in bottom of Post Adapter for easy wiring
- Mighty Post Adapter extends post height to keep outlets about plants and snow
- Add an electrical box to your Might Post and Lawn Light combo