



High quality polycarbonate PL floodlight. Supplied with one, two or three 13 Watt twin tube compact fluorescent lamps. Adjustable swivel mounting arm with 1/2" thread. Lamps supplied.

Color: Bronze

Weight: 3.5 lbs

Project:	Type:
Prepared By:	Date:

Technical Specifications

Compliance

UL Listed:

Suitable for wet locations. (PLF 13 &26) For side wall mounting only.

Construction

Housing and Lens:

Corrosionproof and vandal resistant polycarbonate

Lens Gasket:

High-temperature tubular silicone

Reflector:

Anodized aluminum

Minimum Temperature:

0°F

Electrical

Sockets:

GX23 base

Optical

Lamp:

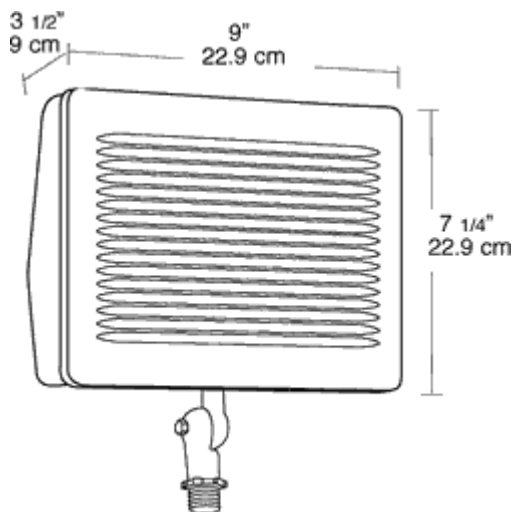
Three 13 watt compact fluorescent lamps supplied with fixture

Other

Buy American Act Compliance:

RAB values USA manufacturing! Upon request, RAB may be able to manufacture this product to be compliant with the Buy American Act (BAA). Please contact customer service to request a quote for the product to be made BAA compliant.

Dimensions



Features

- Corrosion and vandal resistant polycarbonate housing and lens
- Anodized aluminum reflector
- 0°F minimum operating temperature
- High temperature tubular silicone gasket on PLF39 model
- Heavy duty cast aluminum mounting arm and swivel with stainless steel screw
- 1/2" thread fits all standard covers