



Specification grade HID floodlight with cutting edge design, architectural quality, superior features and mounting options at competitive prices.

Color: Bronze

Weight: 18.1 lbs

Project:

Type:

Prepared By:

Date:

Lamp Info

Type	ED17
Watts	150W
Shape/Size	N/A
Base	N/A
ANSI	N/A
Hours	10,000
Lamp Lumens	12,500
Efficacy	67.6 lm/W

Ballast Info

Type	CWA-HPF QT
120V	1.3/1.8A
208V	.8/1.1A
240V	.7/.9A
277V	.6/.8A
Input Watts	185W

Technical Specifications

Compliance

UL Listed:

Suitable for wet locations. Suitable for ground mounting.

Construction

Housing:

Precision die-cast aluminum. 1/2" NPS locking Swivel Arm, Wall Bracket Trunnion or Slip Fitter.

Reflector:

Anodized aluminum. Field adjustable beam spread. Rotates 90° for horizontal or vertical lamp position.

Lens Frame & Glare Shield:

Precision die cast aluminum. Hinged for easy access. Phillips head screws for added security.

Finish:

Formulated for high durability and long-lasting color

Lens:

Thermal tempered shock resistant glass, 3/16" thick

Lens Gasket:

High-temperature one piece molded silicone set in die cast retaining groove. Remains in place during relamping.

Ground Mounting:

Use the new MPM19 PVC Mighty Post with aluminum cap for sturdy installation

EPA:

Maximum EPA 1.1

Electrical

Socket:

HID Porcelain 4kv Pulse Rated socket with nickel plated screw shell CFL Plug in type, GX24q-4 base

Quad Tap:

Fixture works with 120, 208, 240 and 277 Volts

Other

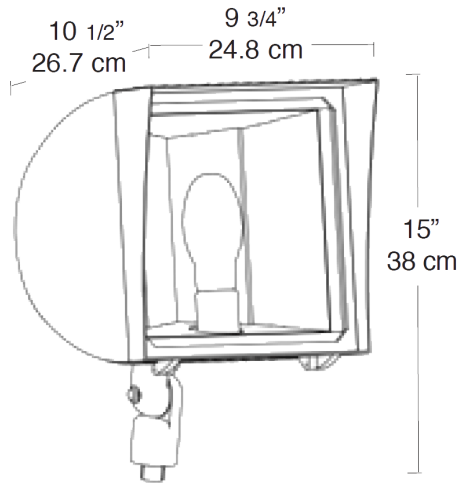
Patents:

Pat. D545,472

Buy American Act Compliance:

RAB values USA manufacturing! Upon request, RAB may be able to manufacture this product to be compliant with the Buy American Act (BAA). Please contact customer service to request a quote for the product to be made BAA compliant.

Dimensions



Features

- Integra hood glare shield for friendly lighting when properly aimed
- Silicone gasket for durable weatherproofing & easy relamping
- Precision die cast aluminum housing and lens frame with durable polyester powder coating
- Anodized aluminum reflector rotates for horizontal or vertical lamp position
- Medium base 4kv pulse rated socket
- Two field adjustable socket positions allow fine tuning of beam spread)
- Fins for heat dissipation extend lamp and ballast life