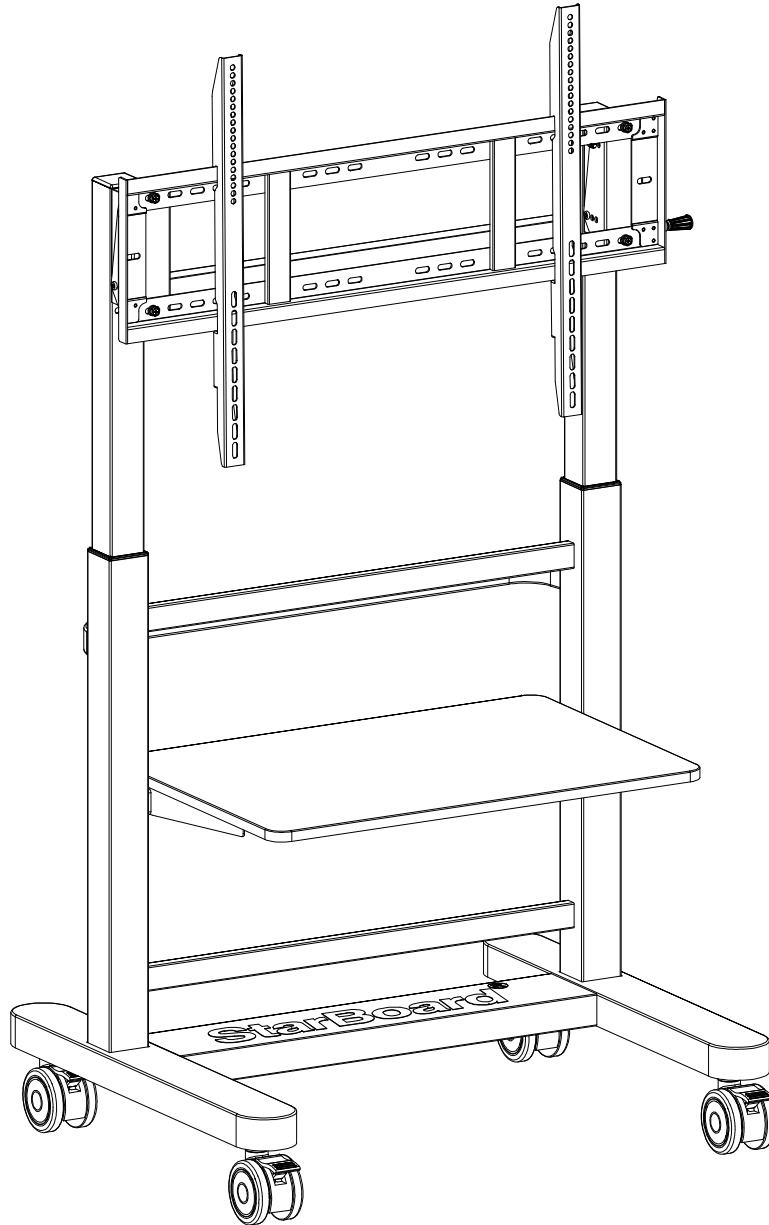


SB-WH3193-52 Assembly Instructions

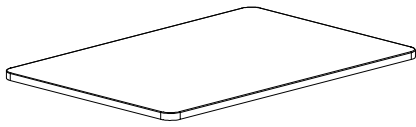


Model : SB-WH3193-52

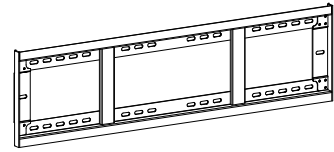
- For safe use, please read this booklet carefully before assembling.
- This product is suitable for 55-86 inch displays.
- Be careful of the cutting edge when using the cutter.
- Load capacity: 80KG

StarBoard®

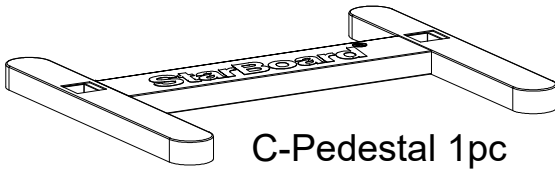
● Components



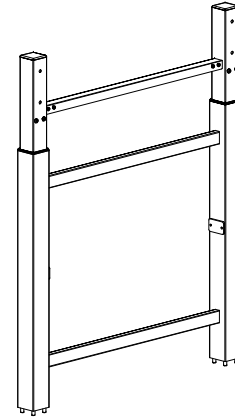
A-PC Shelf Board 1pc



B-Hanging Bracket 1pc



C-Pedestal 1pc



D-Stand Prop 1pc



E-Handle 1pc



F-Angle adjustment 2pcs



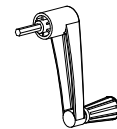
H-Shelf support (Right) 1pc



G-Shelf support (Left) 1pc








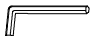




I-Display Bracket 2pcs
With long screw (M6 x 120 mm)

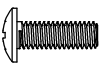


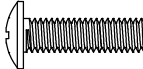
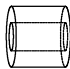
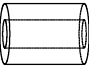



J-Lever 1pc

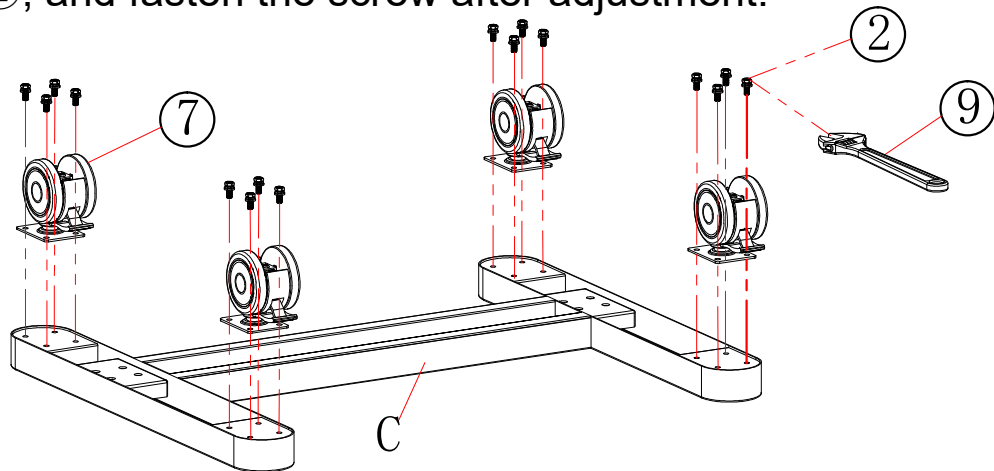
● Assembly Tools

① Hexagon Plus Bolt	M8×80	4pcs	
② Hexagon Plus Bolt	M8×20	20pcs	
③ Hexagon Plus Bolt	M6×8	12pcs	
④ M10 Flat Washer	∅18×∅10.5×1.2	8pcs	
⑤ M10 Spring Washer	M10×∅10.5×2.5	8pcs	
⑥ M10 Fall Prevention Nut	M10×10	8pcs	
⑦ Caster with ∅100mm Stopper		4pcs	
⑧ Hex Wrench	4mm×56	1pc	
⑨ Wrench (not included)		1pc	
⑩ Plus Screwdriver (not included)		1pc	

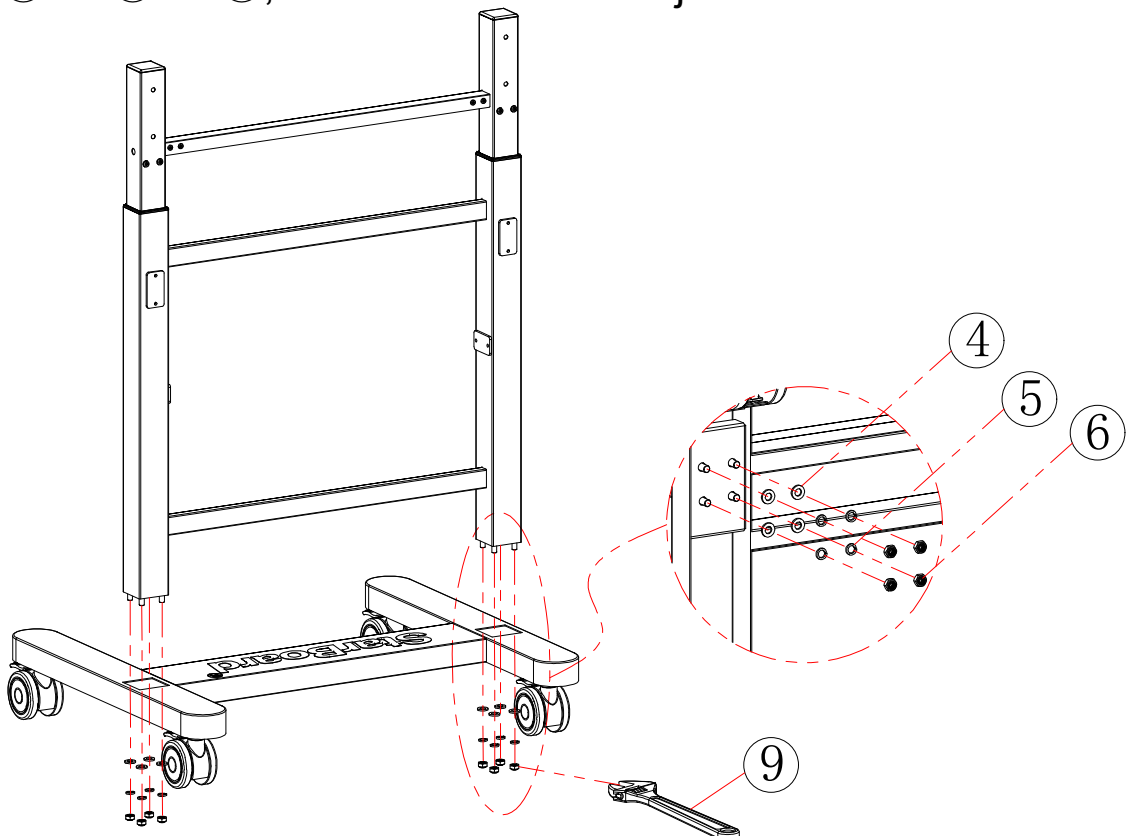
● Display selection general-purpose parts (Please use other if the screws do not fit.)

				
a--M6X20 Cross pan screw 4pcs	b--M6X30 Cross pan screw 4pcs	c--M8X20 Cross pan screw 4pcs	d--M8X30 Cross pan screw 4pcs	e-- $\varnothing 18 \times \varnothing 8.5 \times 5$ Resin washer 4pcs
				
f-- $\varnothing 18 \times \varnothing 8.5 \times 10$ Resin washer 4pcs	g-- $\varnothing 20 \times \varnothing 8.5 \times 1.5$ M8 flat washer 10pcs			

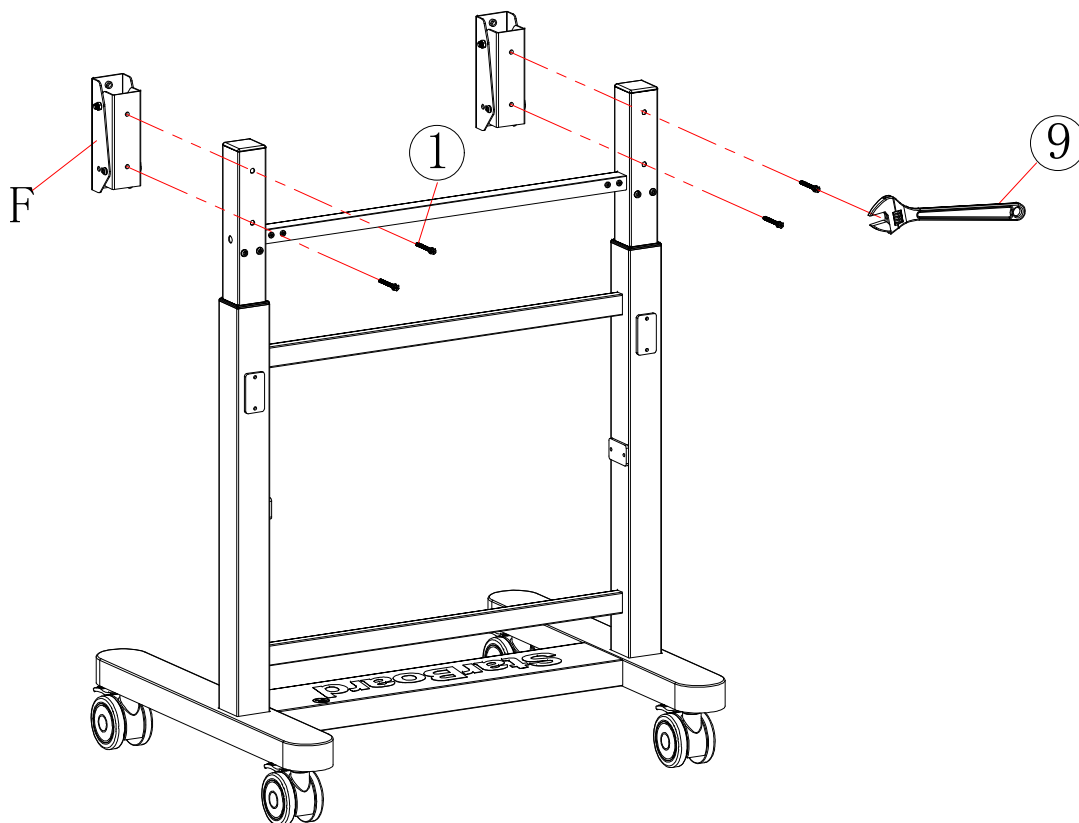
Step 1: Temporarily fix the $\Phi 100\text{mm}$ caster ⑦ to the pedestal C with the 16 pieces of ②, and fasten the screw after adjustment.



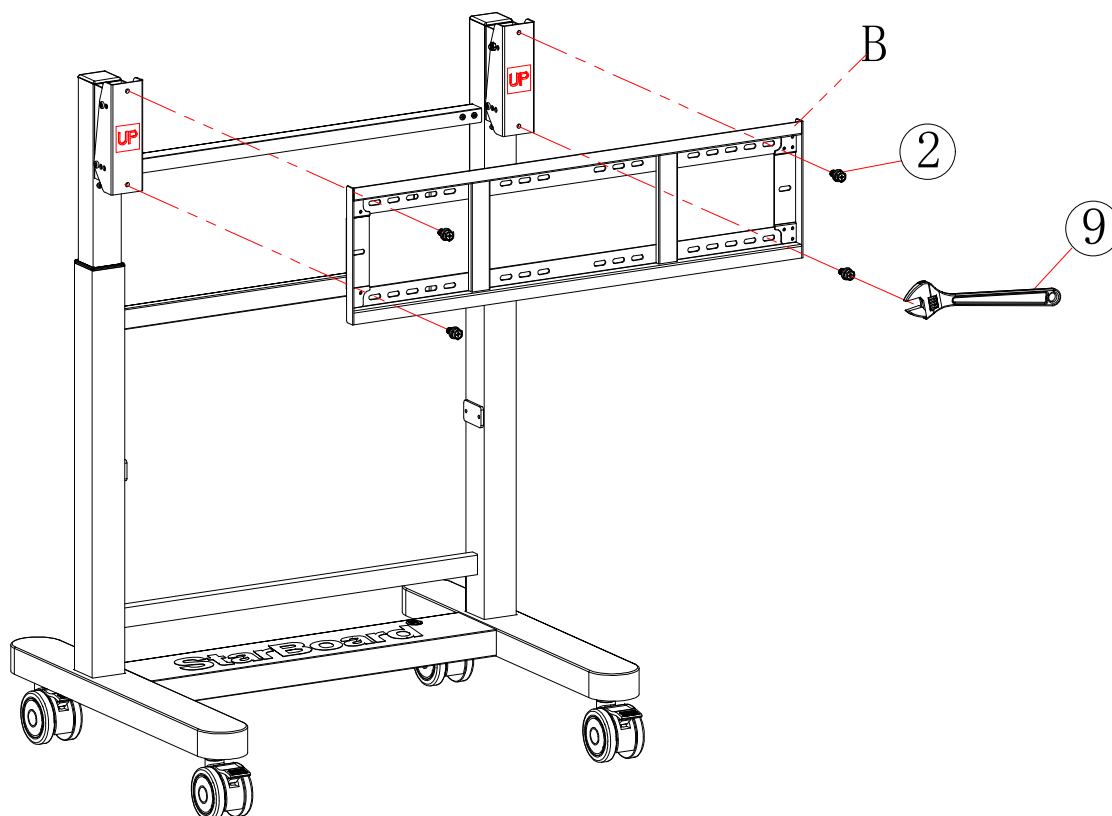
Step 2: Temporarily fix the stand support D to the pedestal C in the order of ④ → ⑤ → ⑥, and fasten it after adjustment.



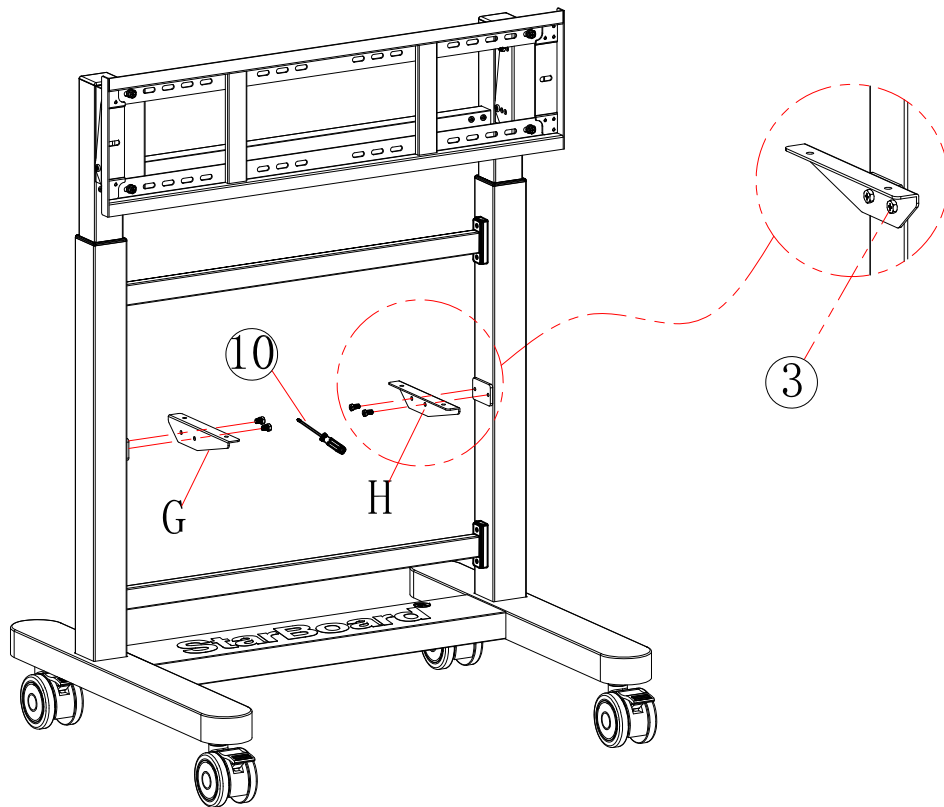
Step 3: Attach the angle adjustment unit F to the stand support D, temporarily fix it with ①, and fasten it after adjustment.



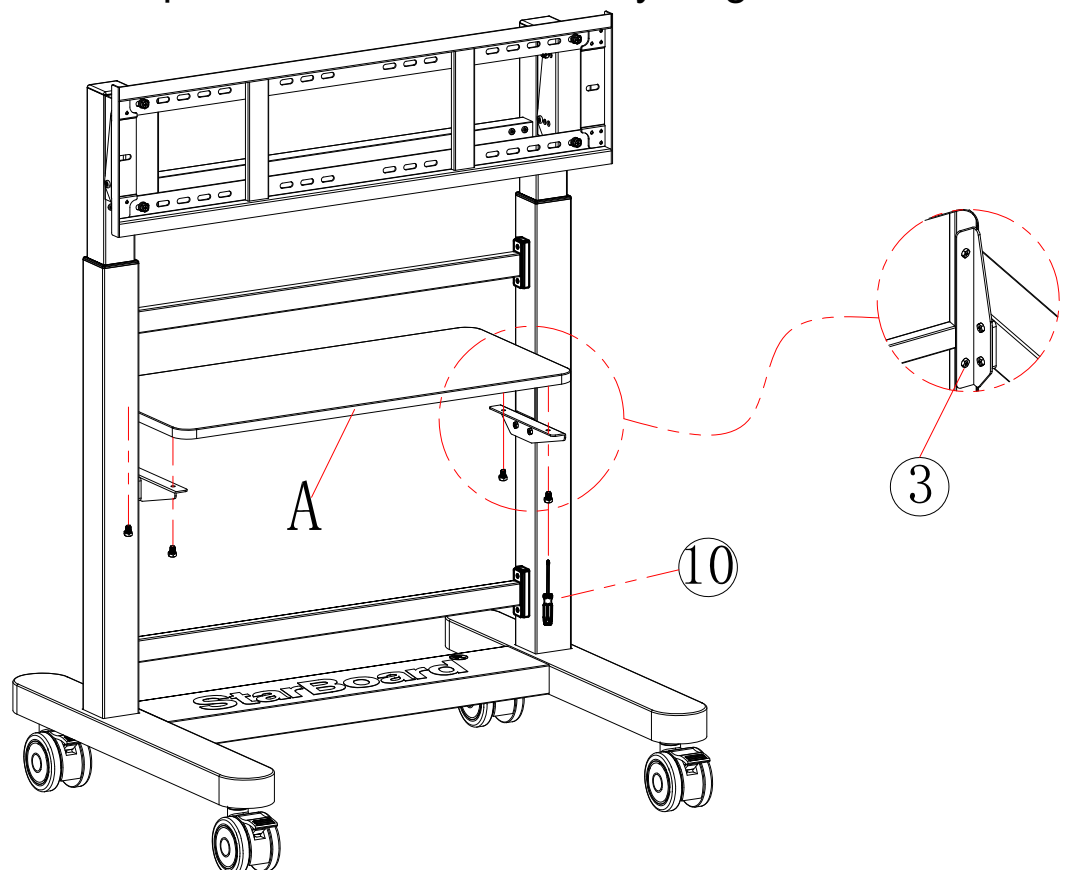
Step 4: Temporarily fix the monitor hanging bracket B to the angle adjustment unit F with ②, and fasten it after adjustment.



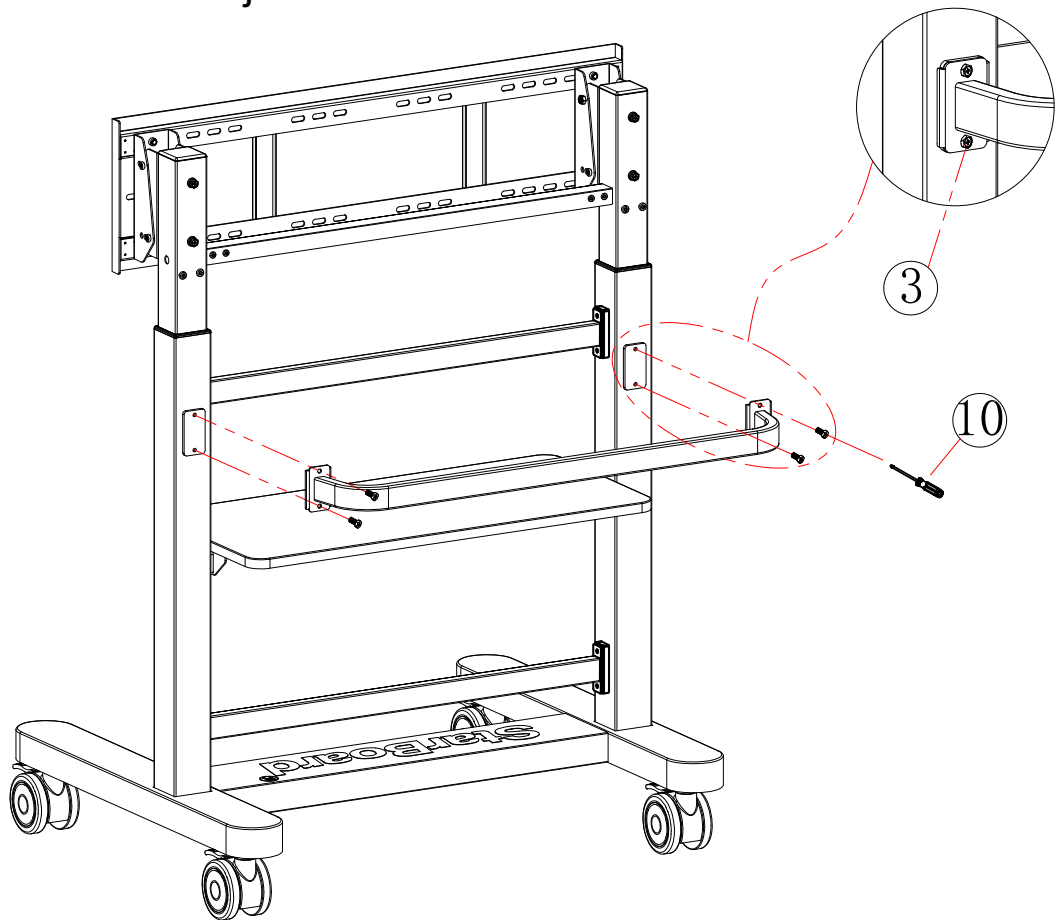
Step 5: Temporarily attach the left and right shelf support brackets GH to the stand support D.



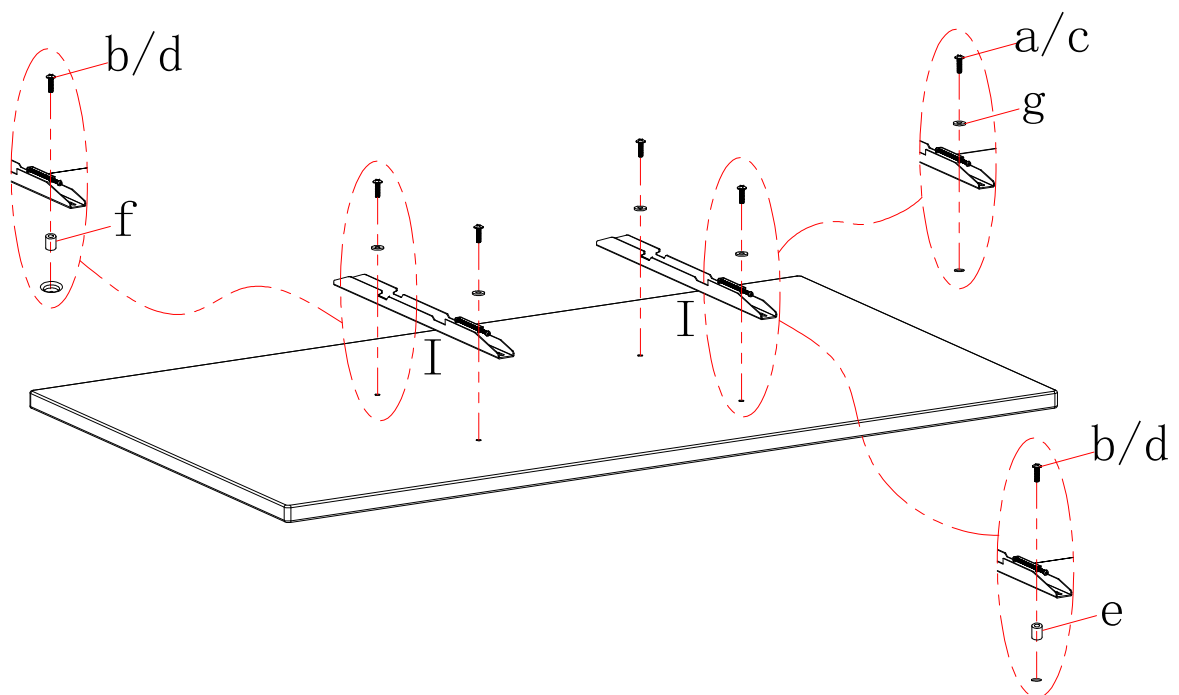
Step 6: Temporarily fix the PC shelf board A to the left and right shelf support brackets GH with the four pieces of ③, adjust with the parts temporarily fixed in step 5, and then fasten everything.

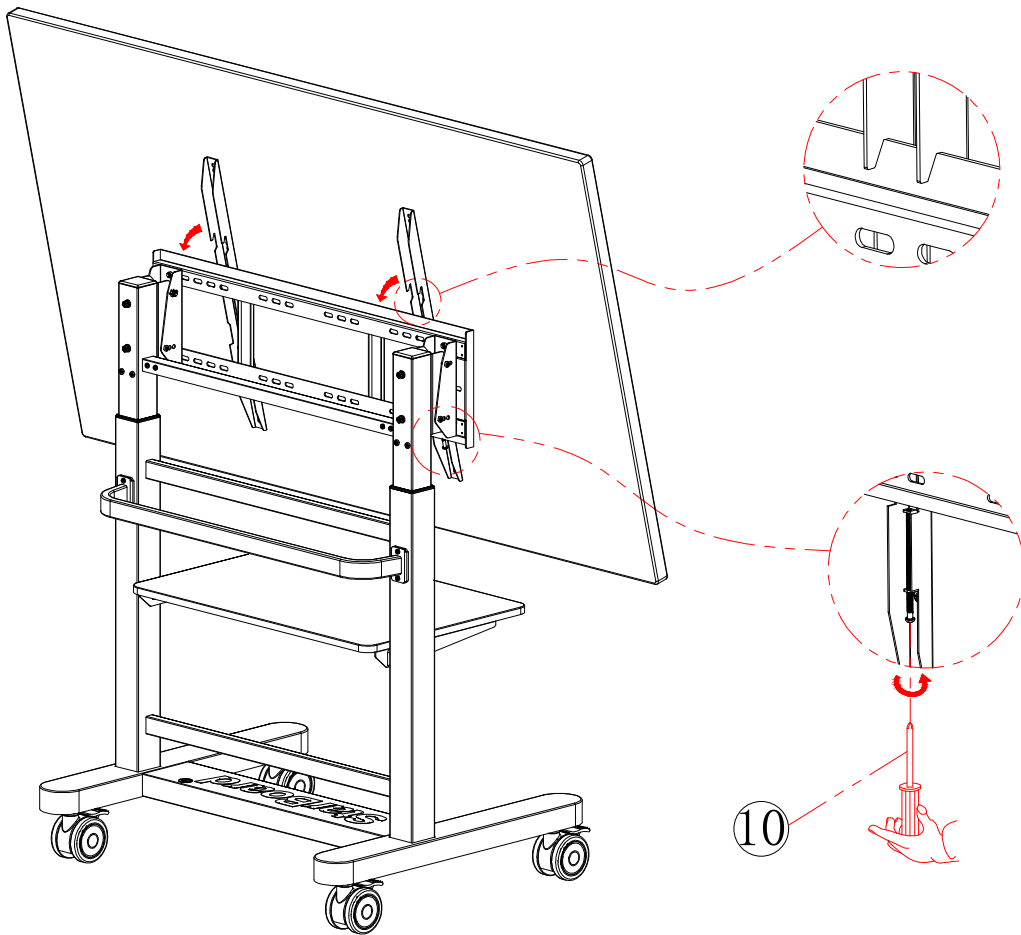


Step 7: Temporarily fix the handle E to the stand support D with the four ③, and fasten it after adjustment.

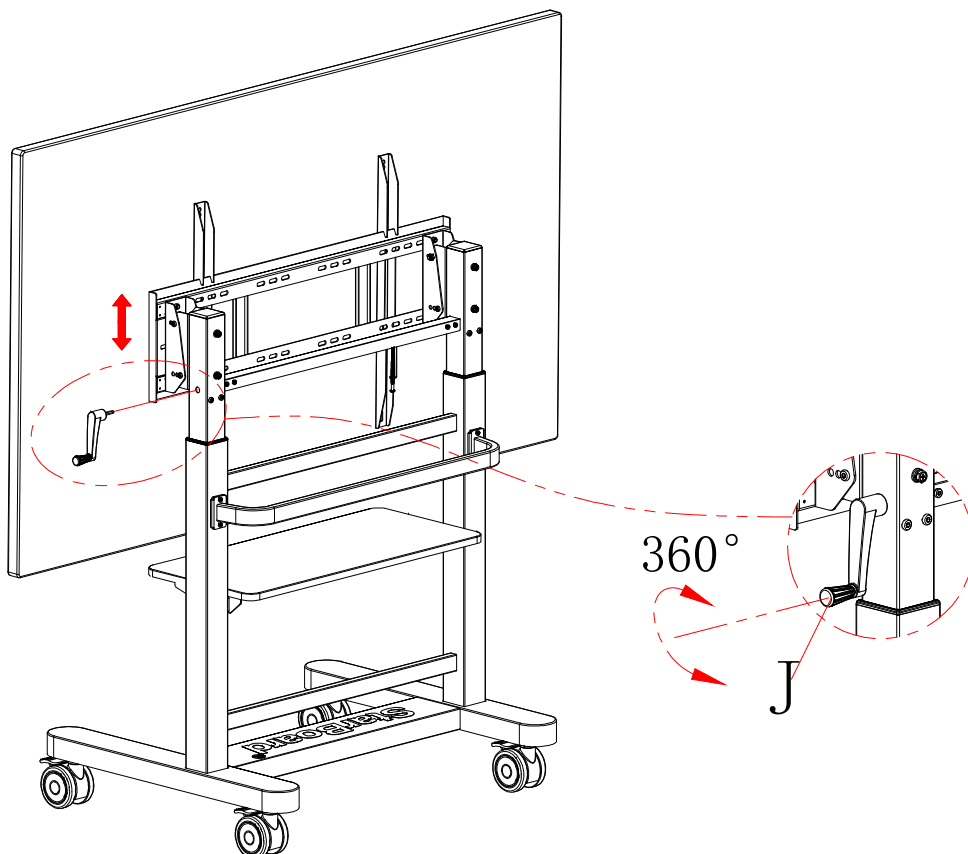


Step 8: Attach the display bracket I to the base hole. After attaching the display to the hanging bracket B, firmly fix the long screw for fall prevention.





Step 9: Insert the lever J as shown in the figure and adjust the height.



● Assembled Stand drawing

