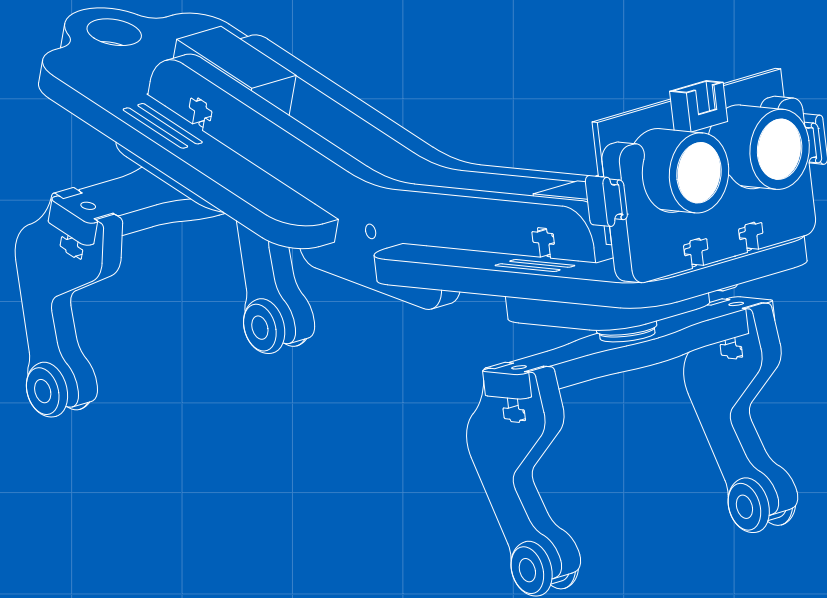


Mission:

Piper Make Robotic Walker

SIDE A

Assembly



1 ●○○○○○

Repeat 4× to install Grommets onto each Leg

2 ●●○○○○

Make sure the arrows are facing upwards

Attach Legs to Servo Horn with Screws and Nuts

Repeat 2× with all four legs

3 ●●●○○○

Install the Spines on both the Torso and Trunk

4 ●●●●○○

Install Torso and Trunk Servos so motors are facing OUTWARDS.

Do not overtighten the screws

NOTE

The "knees" should face towards the tail of Walker, like a dog.

INVENTORY

1 Torso	1 O-Ring
1 Trunk	2 FS90 Servo Motor
4 Legs	6 #4-40 Screws (A)
4 Grommet	2 Small Screws (B)
2 Servo Horn	4 #4-40 Screws (C)
2 Servo Holder	10 Hex Nuts
2 Spine	1 Ultrasonic Range Finder

5 ●●●●●○

Use O-Ring to attach Range Finder to Holder

Insert Holder into Rover Base

ASSEMBLY COMPLETE!

Head to Piper Make to continue your mission

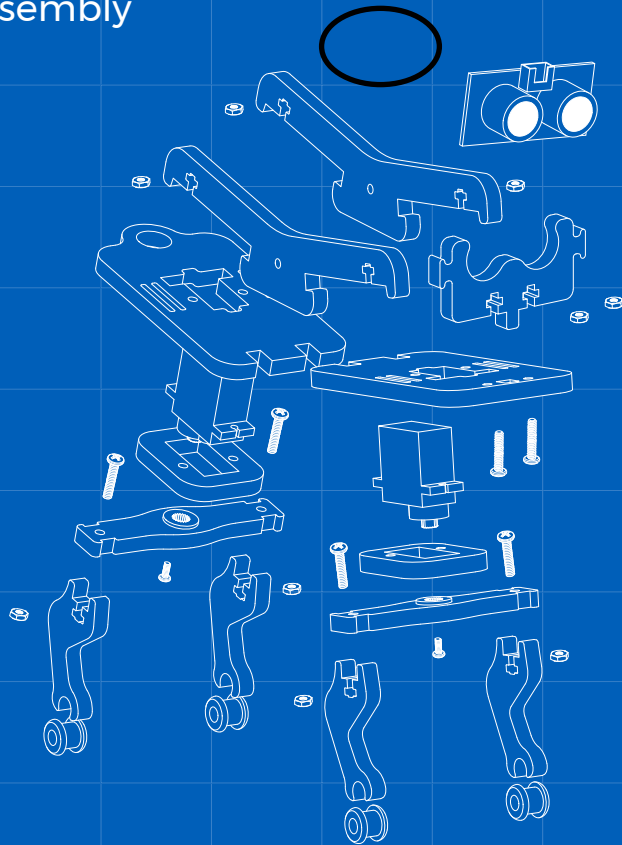
make.playpiper.com →

Mission:

Piper Make Robotic Walker

SIDE B

Disassembly



INVENTORY

- | | |
|----------------|---------------------------|
| 1 Torso | 1 O-Ring |
| 1 Trunk | 2 FS90 Servo Motor |
| 4 Legs | 6 #4-40 Screws (A) |
| 4 Grommet | 2 Small Screws (B) |
| 2 Servo Horn | 4 #4-40 Screws (C) |
| 2 Servo Holder | 10 Hex Nuts |
| 2 Spine | 1 Ultrasonic Range Finder |

1 ●○○○○○

Remove Screws and Nut

A

Detach Holder from Rover Base

Remove O-Ring to detach Range Finder from Holder

Place each item on its spot on the Components sheet

2 ●●○○○○

Detach Legs by removing Screws

B

Uninstall Servo Motors by removing the Screws and Nuts

C

3 ●●●○○○

Detach the Spines from both the Torso and Trunk

4 ●●●●○○

Deattach Legs from Servo Horn by removing Screws and Nuts

Repeat 2x with all four legs

A

5 ●●●●●○

Remove Grommet from each Leg

Repeat 4x

DISASSEMBLY COMPLETE!

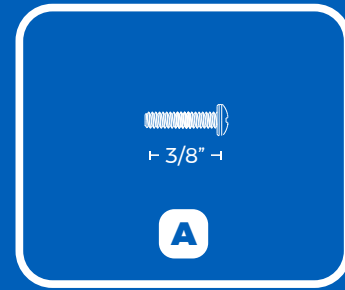
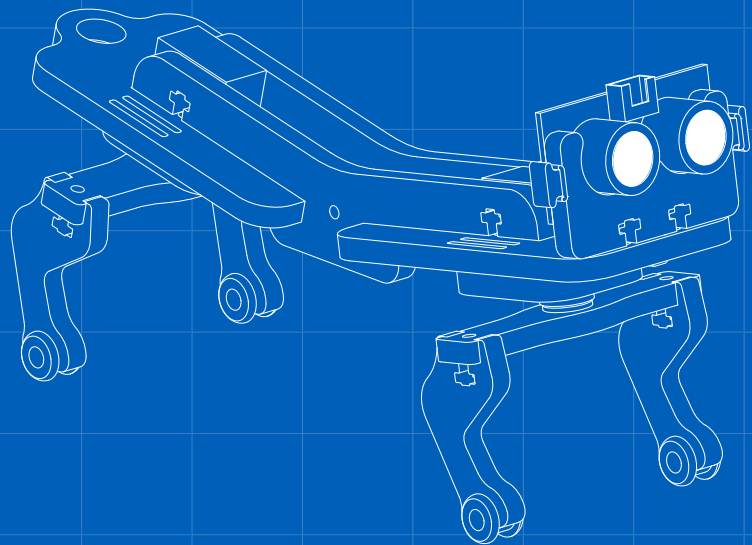
If not already done, place each piece on its spot on the Components sheet

Mission:

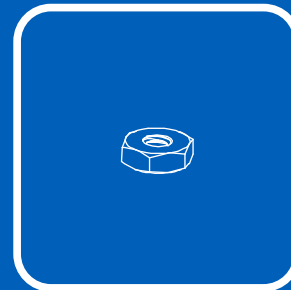
Piper Make Robotic Walker

Components Sheet

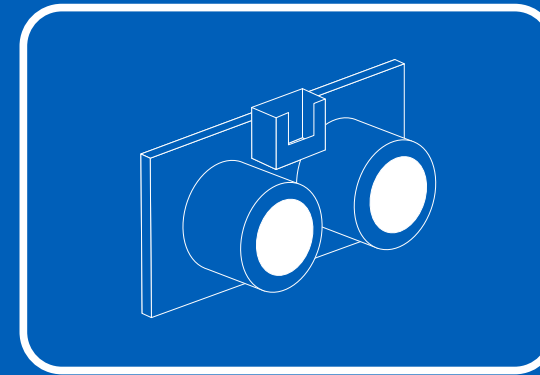
Gather and organize your supplies



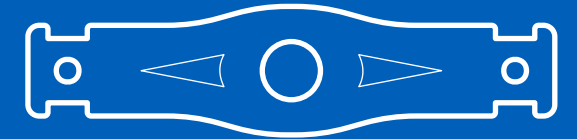
#4-40 Screw x 6



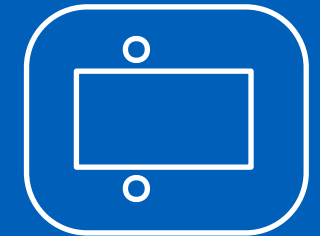
#4-40 Nut x 10



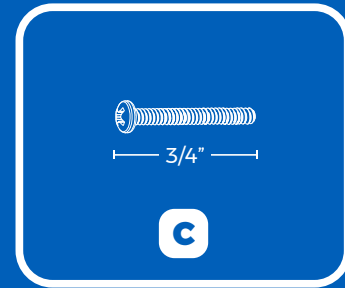
Ultrasonic Range Finder x 1



Servo Horn x 2



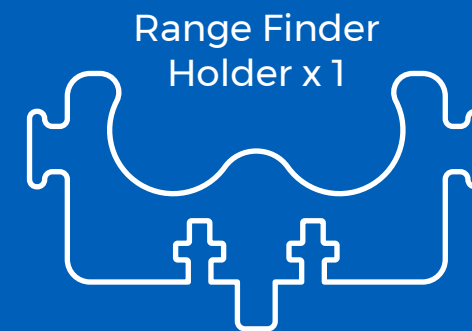
Servo Holder x 2



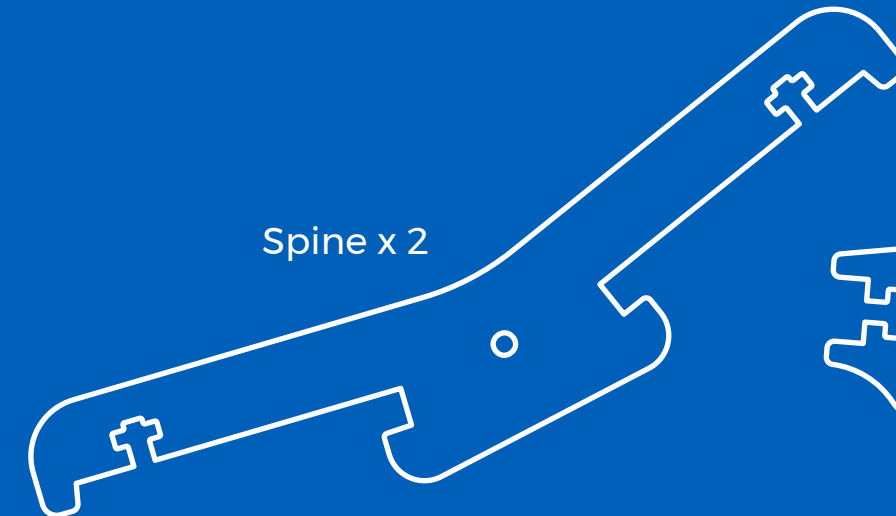
#4-40 Screw x 4



Grommet x 4



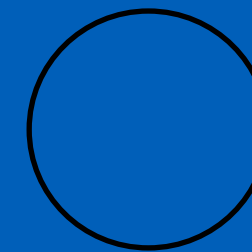
Range Finder Holder x 1



Spine x 2

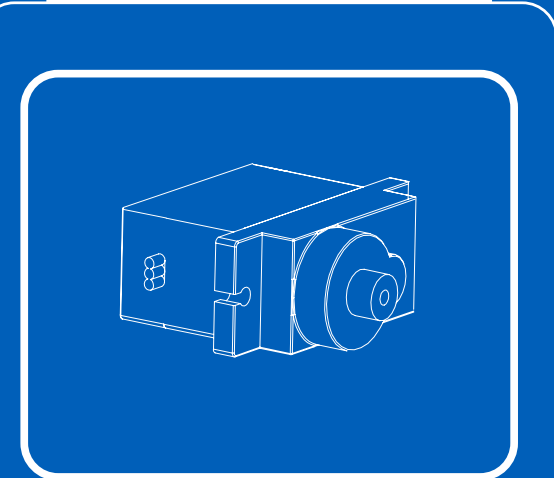


Legs x 4



O-Ring x 1

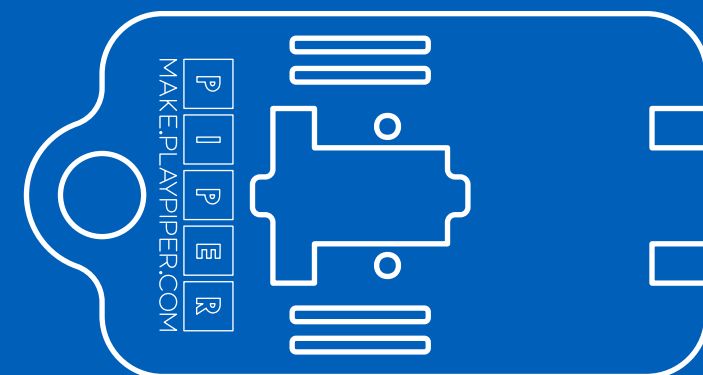
Servo Motors



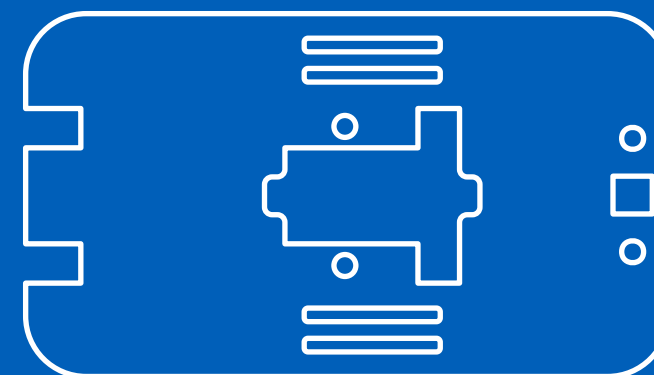
FS90R Servo Motor x 2



Small Screws x 2



Trunk x 1



Torso x 1