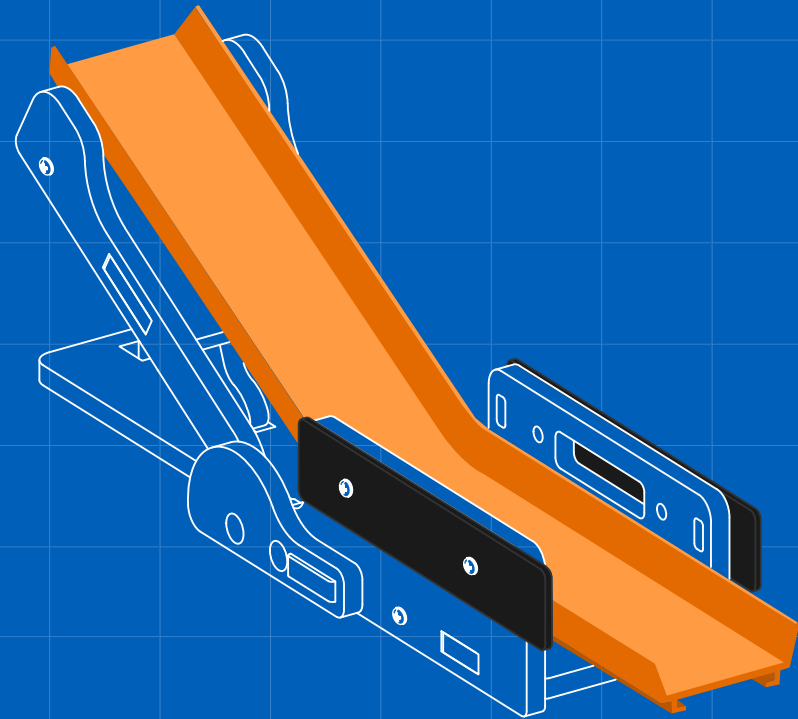


Mission:

Piper Make Beam Break

SIDE A Assembly

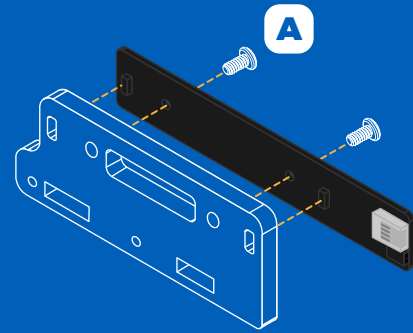


INVENTORY

- | | |
|---------------|------------------------|
| 1 Large Base | 2 IR Beam Sensors |
| 2 Side Pieces | 1 Track Spacer |
| 1 Ramp | 1 Track Connector |
| 2 Arm Pieces | 2 Plastic Track |
| 1 Small Base | 8 1/2" Pan-Head Screws |
| 1 Small Slope | 4 1/4" Pan-Head Screws |
| 1 Large Slope | 2 Flat-Head Screws |
| 2 Protractors | 8 Hex Nuts |
| 4 Gummy Foot | |

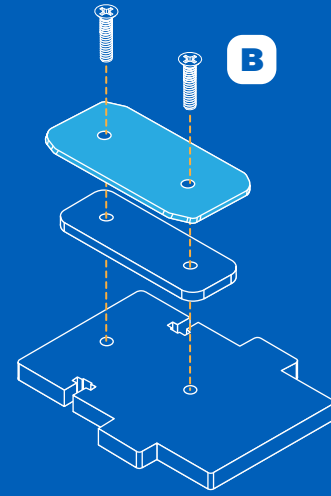
1 ● ○ ○ ○ ○ ○ ○ ○

Attach sensors to both side pieces with Pan-head Screws



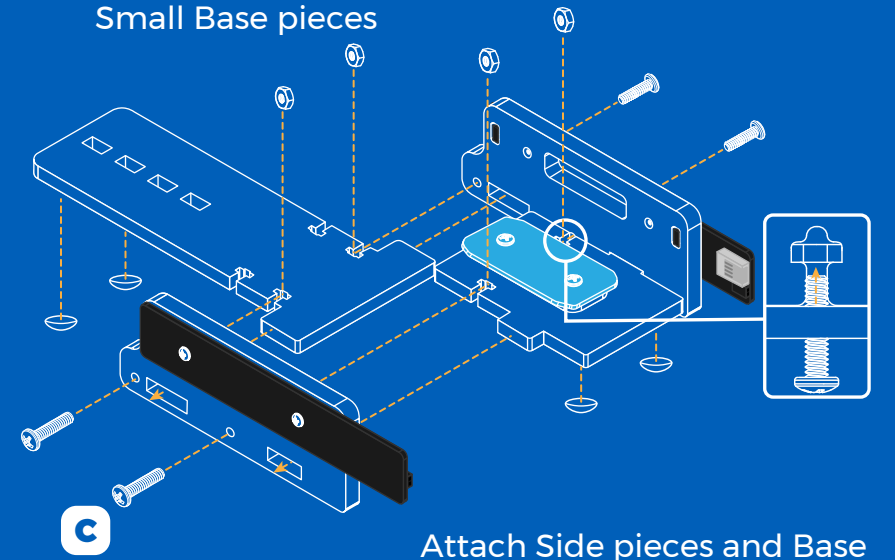
2 ● ● ○ ○ ○ ○ ○ ○

Attach Track Connector, Track Spacer and Small Base with Flat-head Screws



3 ● ● ● ○ ○ ○ ○ ○

Attach Gummy Feet to corners of Large and Small Base pieces

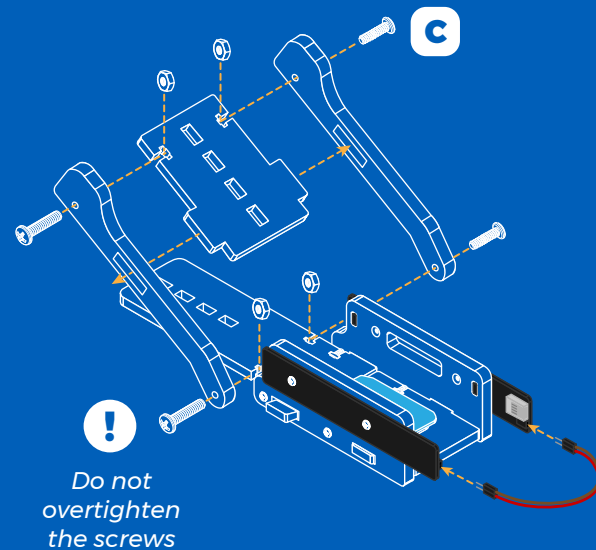


Attach Side pieces and Base pieces with Screws and Nuts

4 ● ● ● ● ○ ○ ○ ○

Connect both Arm pieces to the Ramp piece with Screws and Nuts

Then attach Arms to the Large Base piece

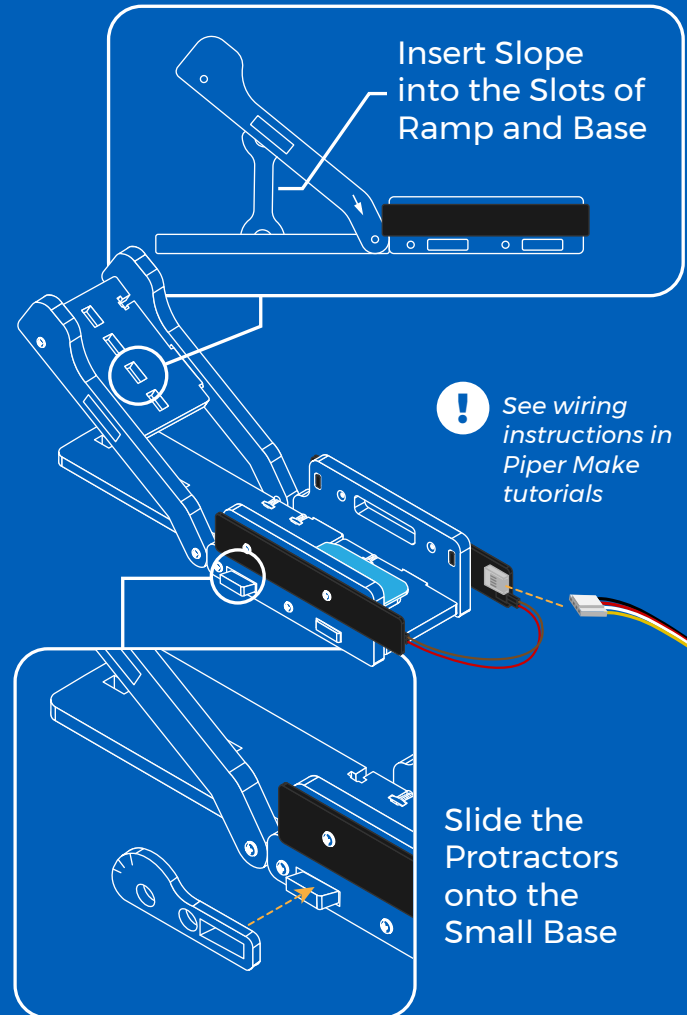


Do not overtighten the screws

Insert Pin Cable to connect IR Beam Sensor

5 ● ● ● ● ● ○ ○ ○

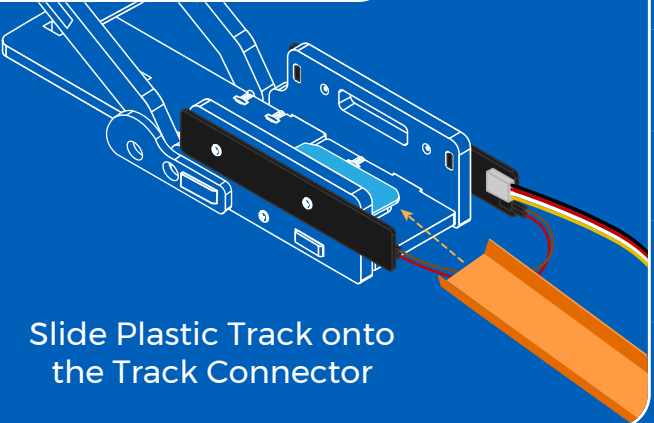
Insert Slope into the Slots of Ramp and Base



See wiring instructions in Piper Make tutorials

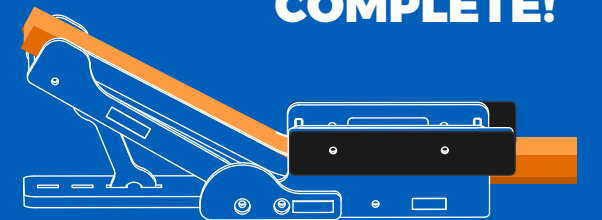
Slide the Protractors onto the Small Base

6 ● ● ● ● ● ● ○ ○



Slide Plastic Track onto the Track Connector

ASSEMBLY COMPLETE!



Head to Piper Make to continue your mission

make.playpiper.com

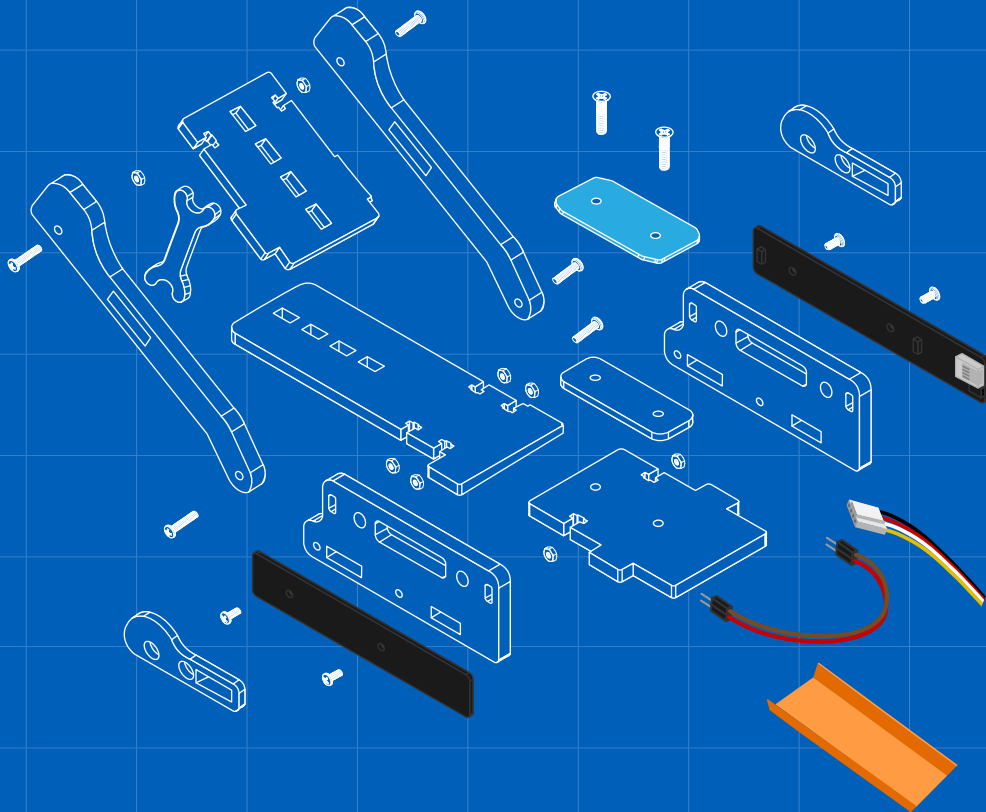


Mission:

Piper Make Beam Break

SIDE B

Disassembly



INVENTORY

- | | |
|---------------|------------------------|
| 1 Large Base | 2 IR Beam Sensors |
| 2 Side Pieces | 1 Track Spacer |
| 1 Ramp | 1 Track Connector |
| 2 Arm Pieces | 2 Plastic Track |
| 1 Small Base | 8 1/2" Pan-Head Screws |
| 1 Small Slope | 4 1/4" Pan-Head Screws |
| 1 Large Slope | 2 Flat-Head Screws |
| 2 Protractors | 8 Hex Nuts |
| 4 Gummy Foot | |

1 ● ○ ○ ○ ○ ○

Disconnect wiring

Slide out the Plastic Track

2 ● ● ○ ○ ○ ○

Remove Slope and Protractor Pieces

3 ● ● ● ○ ○ ○

Unscrew Screws to remove Arm and Ramp pieces

4 ● ● ● ● ○ ○

Remove Screws to remove Side pieces

5 ● ● ● ● ● ○

Detach Sensors from both Side pieces by unscrewing screws

6 ● ● ● ● ● ●

Remove Screws to separate Track Connector, Track Spacer and Small Base pieces

DISASSEMBLY COMPLETE!

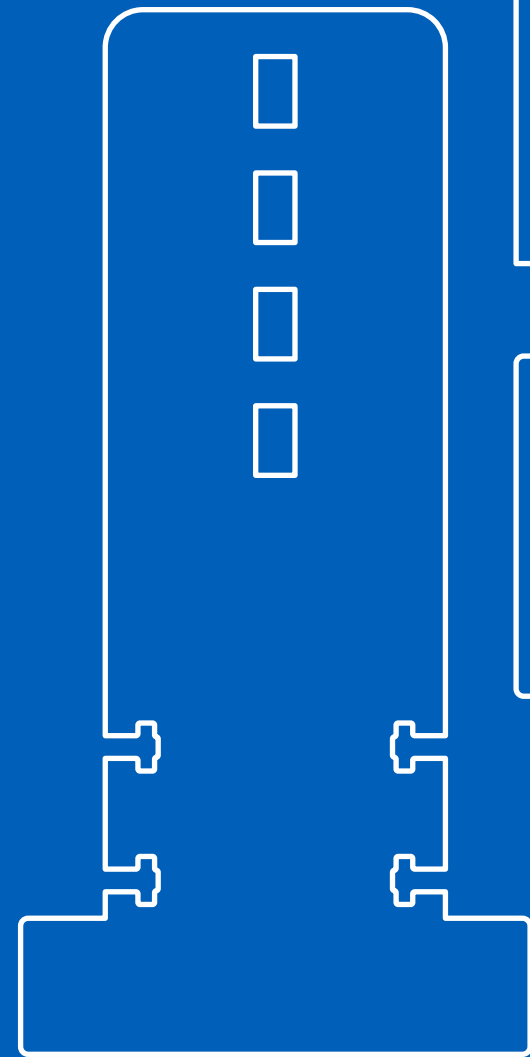
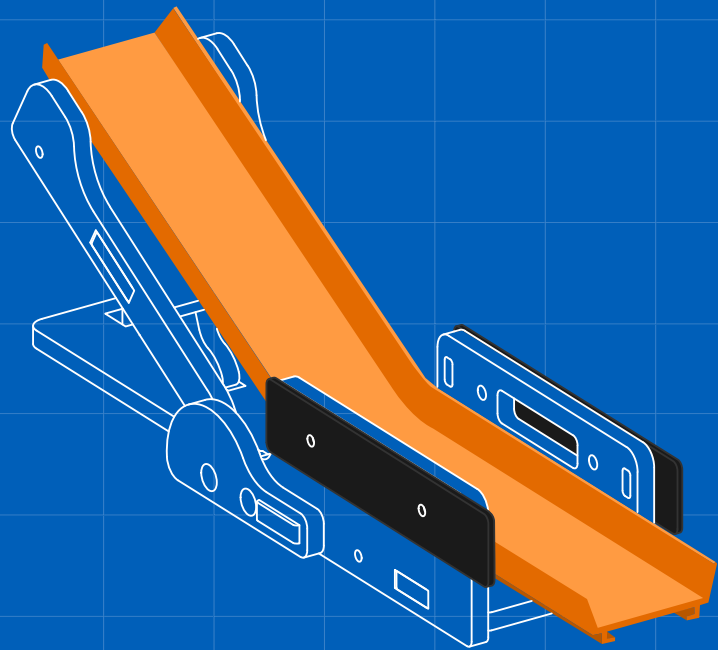
If not already done, place each piece on its spot on the components sheet

Mission:

Piper Make Beam Break

Components Sheet

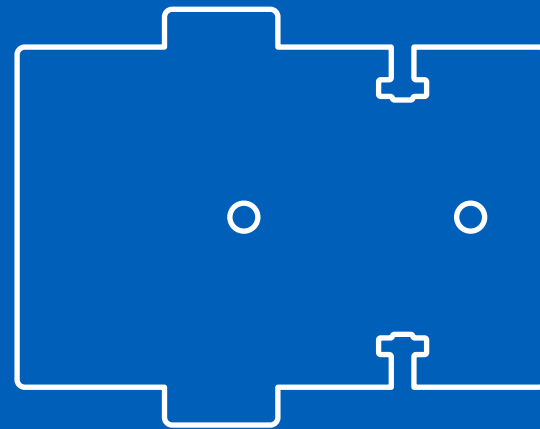
Gather and organize your supplies



Large Base x 1



Plastic Track x 2



Small Base x 1



Track Spacer x 1



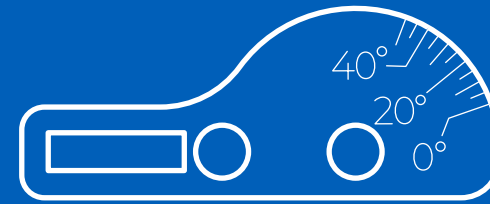
Track Connector x 1



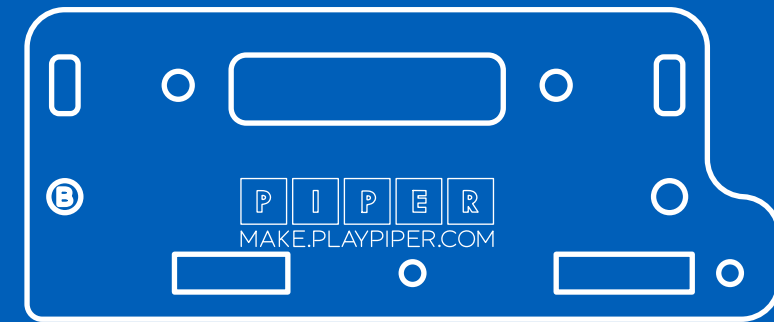
Large Slope x 1



Small Slope x 1



Protractor x 2



Side x 2

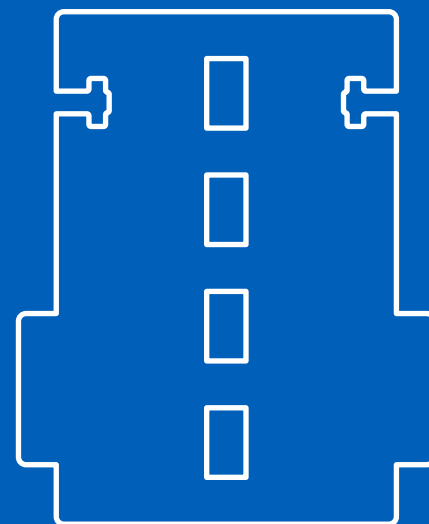
Arm x 2



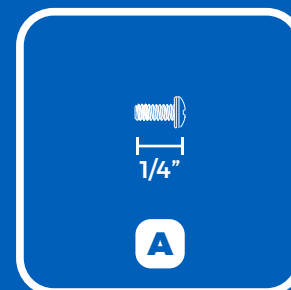
Gummy Foot x 4



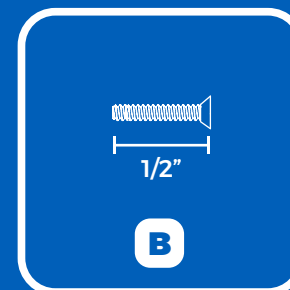
IR Beam Sensors x 2



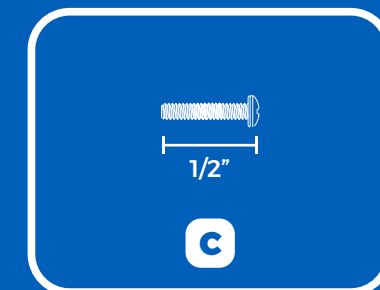
Ramp x 1



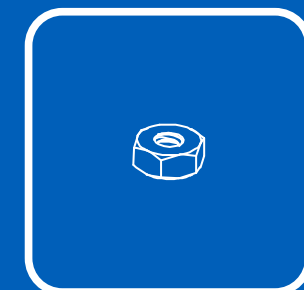
Pan-head Screw x 4



Flat-head Screws x 2



Pan-head Screw x 8



Hex Nuts x 8