

Snapmaker Artisan 3-in-1 3D Printer

Turn Your Desktop Into a Workshop



Next-Gen Linear Modules



400 × 400 × 400 Work Area



60s Quick-swap



300°C Dual Extrusion



10W

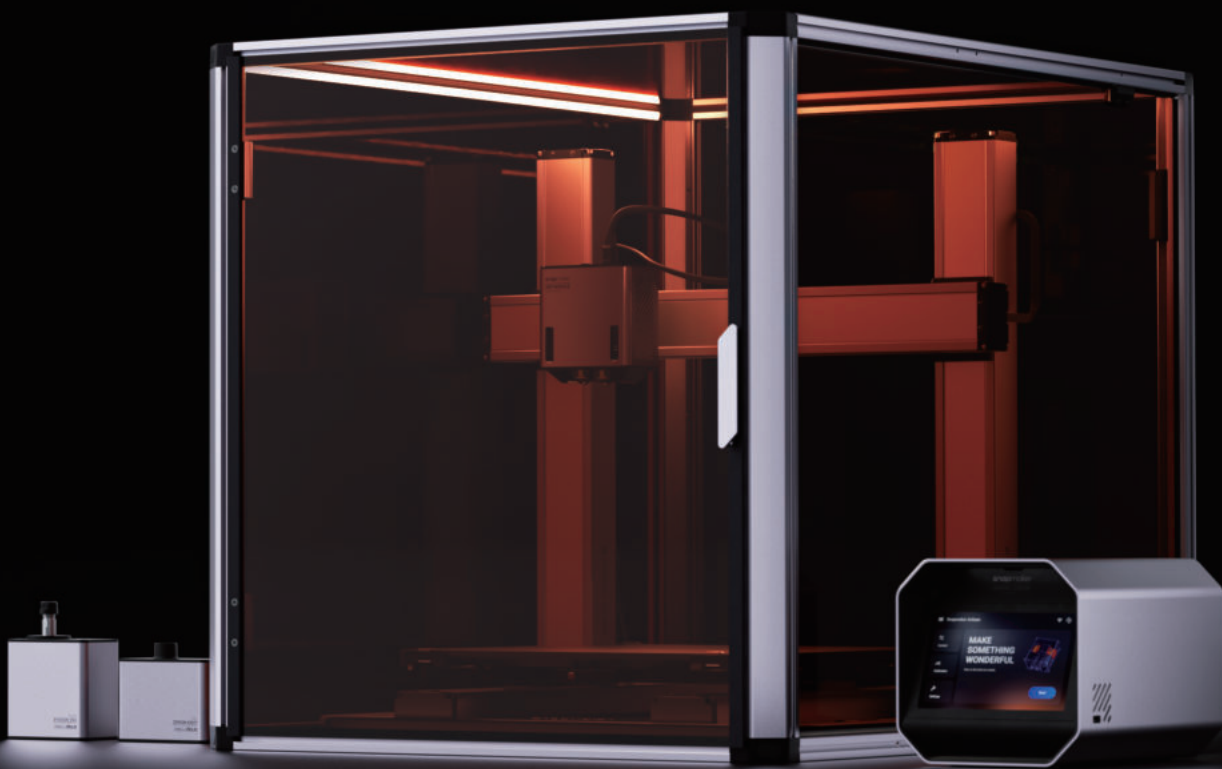
10W Laser



200W

200W CNC

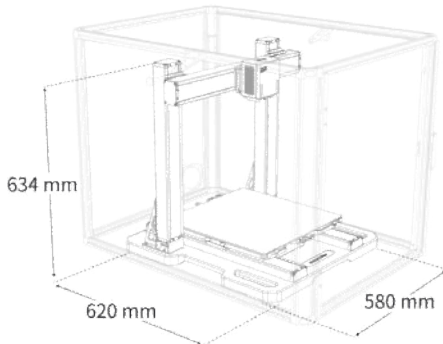
The Latest Generation of
3-in-1 3D Printer
Larger, Faster, and More Powerful



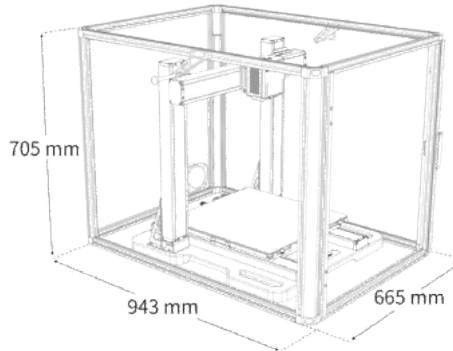
Specifications

General

Dimensions (Machine)



Dimensions (Machine & Enclosure)



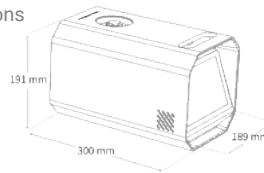
Frame Material	Aluminum alloy Enclosure Panel: Acrylic
Weight	52.9 kg
Package Weight	34.8 kg (Box A) 31.5 kg (Box B)
Repeatability (Linear Module)	±0.05 mm
Data Transmission Methods	Wi-Fi, USB cable, USB flash drive
Supported Software	Snapmaker Luban, and third-party software
OS Supported by Luban	Windows, macOS, Linux

Linear Module

Motor Driver Chip	TMC2209
X-axis Lead	40 mm
Y-axis Lead	40 mm
Z-axis Lead	8 mm

Integrated Controller

Dimensions



Touchscreen Size	7 inches
Power	300W + 450W
OS	Android 10.0

3D Printing

Work Area (W × D × H)	350 mm × 400 mm × 400 mm (Dual Nozzle) Only Left Nozzle is Used: 375 mm × 400 mm × 400 mm Only Right Nozzle is Used: 400 mm × 400 mm × 400 mm	Build Plate	Double-sided PEI-coated Glass
Dimensional Accuracy ¹	±0.1 mm	High-temperature Zone (Inner Zone)	260 mm × 260 mm
Nozzle Diameter	0.4 mm (Standard) 0.2 mm, 0.6 mm, 0.8 mm (Optional)	Max. Heated Bed Temperature	110°C (Inner Zone) 80°C (Outer Zone)
Nozzle Material	Brass (Standard) Hardened steel (Optional)	Supported Materials ²	PLA, ABS, ASA, PETG, TPU, Breakaway PLA, PVA, HIPS, Nylon, Carbon Fiber Reinforced Nylon, Glass Fiber Reinforced Nylon
Max. Nozzle Temperature	300°C	Supported Material Diameter	1.75 mm
Max. Recommended Printing Speed	180 mm/s	Supported Formats	stl, obj

Laser Engraving and Cutting

Work Area (W × D)	400 mm × 400 mm	Supported Materials for Engraving	Basswood, Paulownia, Pinewood, Plywood, Beech, Walnut, Bamboo, MDF, Painted Metal, Copper Clad Laminate, Tinplate, Stainless Steel, Anodized Aluminum, Dark Glass, Slate, Ceramics, Jade, Marble, Shale, Leather, Fabric, Canvas, Corrugated Paper, Cardboard, Plastic, Dark Acrylic (Blue excluded)
Power	10W	Supported Materials for Cutting	Basswood, Paulownia, Pinewood, Plywood, Beech, Walnut, Bamboo, MDF, Leather, Fabric, Canvas, Corrugated Paper, Cardboard, Plastic, Dark Acrylic (Blue excluded)
Laser Type	450 nm–460 nm Semi-conductor	Supported Formats	stl, svg, png, jpg, jpeg, bmp, dxf
Max. Engraving Speed	6000 mm/min		
Max. Cutting Depth (Paulownia)	8 mm		
Operating Temperature	0°C–35°C		
Laser Spot Dimension	0.05 mm × 0.2 mm		

CNC Carving and Cutting

Work Area (W × D)	400 mm × 400 mm	Maximum Stepdown	2 mm (Beech); 1 mm (Acrylic)
Power	200W	Shank Diameter	0.5 mm–6.35 mm
Max. Spindle Speed	18,000 RPM	Supported Materials	Hardwood (Beech, Walnut), Softwood, HDF, MDF, Plywood, Jade, Carbon Fiber, Acrylic, Epoxy Tooling Board, PCB
Max. Work Speed ³	50 mm/s (Beech); 33 mm/s (Acrylic)	Supported Formats	stl, svg, png, jpg, jpeg, bmp, dxf

Notes 1: The test result was obtained by printing a 100 mm × 100 mm × 100 mm cube with PLA filament, and using 0.4 mm nozzle. Dimensional accuracy may vary depending on the testing conditions and product iteration, and is for reference only.

Notes 2: Hardened steel nozzle should be used when printing with nylon and reinforced nylon filaments.

Notes 3: The data is obtained by cutting beech with 3.175 mm Double Flute Flat End Mill and Acrylic with 3.175 mm Single Flute Flat End Mill. Depending on the CNC bits and materials used, the cutting speed might vary.

*These parameters are subject to change due to iterations.