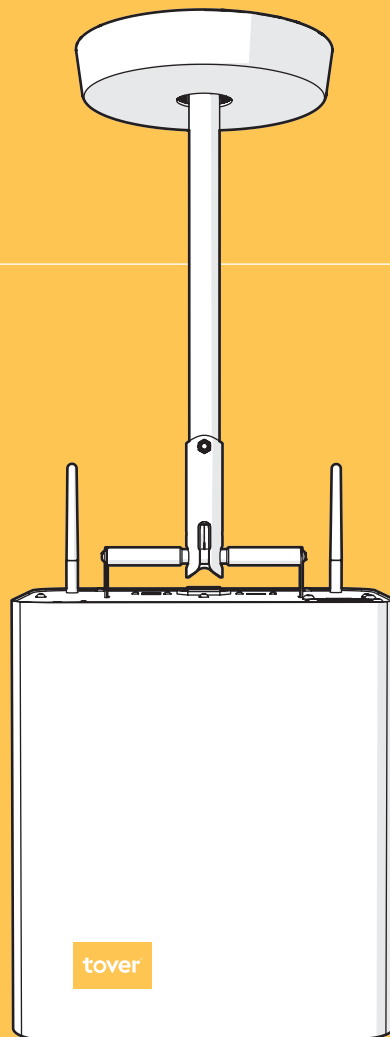


Tovertafel

Installation manual



tover[®]

US – Translation of the original manual
November 2020

Table of contents

1. Introduction	4		
1.1. Important: before you begin installing	4	4.2.3. Installing for use on the floor	14
1.2. Assistance	4	4.3. Saw the tube to size	15
1.3. Key to symbols	4	4.3.1. Parts included	15
		4.3.2. Tools required	15
		4.3.3. Attaching the mounting plate to the ceiling	19
2. Product	5	4.3.4. Finishing	24
2.1. Specifications	5	4.4. Installing aerials	25
2.1.1. Hanging heights	5	4.5. Finishing off around the suspended ceiling	26
2.1.2. Projection sizes	6	4.6. Preparing the Tovertafel for use	28
2.2. Parts included	7		
2.3. Tools required	8		
		5. Cleaning and maintenance	30
3. Safety instructions	9	5.1. Cleaning	30
3.1. General instructions	9	5.1.1. Cleaning the Tovertafel	30
3.2. Positioning the product.	9	5.1.2. Cleaning the lens	30
3.3. Using the product	9	5.2. Maintenance	30
3.4. Battery instructions for remote control	10	5.3. Storing the product	30
4. Installation	11	6. Common problems	31
4.1. Checking the package contents	11		
4.2. Installing the Tovertafel	11	7. Legal information	31
4.2.1. Determining the location for the suspension point	12		
4.2.2. Installing for use on the table	13	8. Disposal or recycling	31

1. Introduction

First of all we would like to thank you for choosing Tover!

At Tover, we take play seriously. With positive effects on physical, social, sensory and cognitive functioning and well-being, we believe play offers the solution. The Tovertafel (Magic Table) is a healthcare innovation that promotes unlimited and meaningful play experiences. The portable unit is mounted on the ceiling and projects interactive games on to the surface below, such as a table or floor. Sensors in the Tovertafel detect the movements made by users, allowing them to play the games. The remote control can be used to navigate the menu and select different games. The Tovertafel can be connected to the Internet to ensure the system is kept updated with the latest software and security features, new licensed games and game improvements. The Tovertafel games are specifically designed for older people with dementia, adults with intellectual disabilities and children with special needs. Together, we make a proven impact on quality of life.

1.1. Important: before you begin installing

Carefully read the installation and user manual before using the Tovertafel. Please pay special attention to the safety instructions to ensure correct operation of the Tovertafel. We recommend that you save the original packaging in the event that you need to return the Tovertafel. If the instructions in the installation manual and user manual are not complied with and/or the Tovertafel is used for purposes other than those described in the manual, the product guarantee will be compromised and we will accept no liability.

1.2. Assistance



The product is under continuous development. Some functions in this manual may differ and been improved on in the meantime. For the most up-to-date information and extended support, please go to www.tover.care/manual

Having problems installing or using the Tovertafel? Please contact our service team.

Service team:

service@tover.care

www.tover.care/service

Purchased the Tovertafel 2 through one of our local distributors? Please contact that distributor for any service questions. See our website

www.tover.care/manual or the documentation included for a list of distributors.

1.3. Key to symbols

	Reference to a choice you can make to a step.
	Warning Indicates a hazardous situation. Failure to follow the safety instructions may result in death or serious injury.
	Caution Indicates a hazardous situation. Failure to follow the safety instructions may result in minor to moderate injury.
	Comment information that should be regarded as important but which is unrelated to injury.
	Tip useful information.
	Shopping trolley indicates that items that can be ordered as options.

2. Product

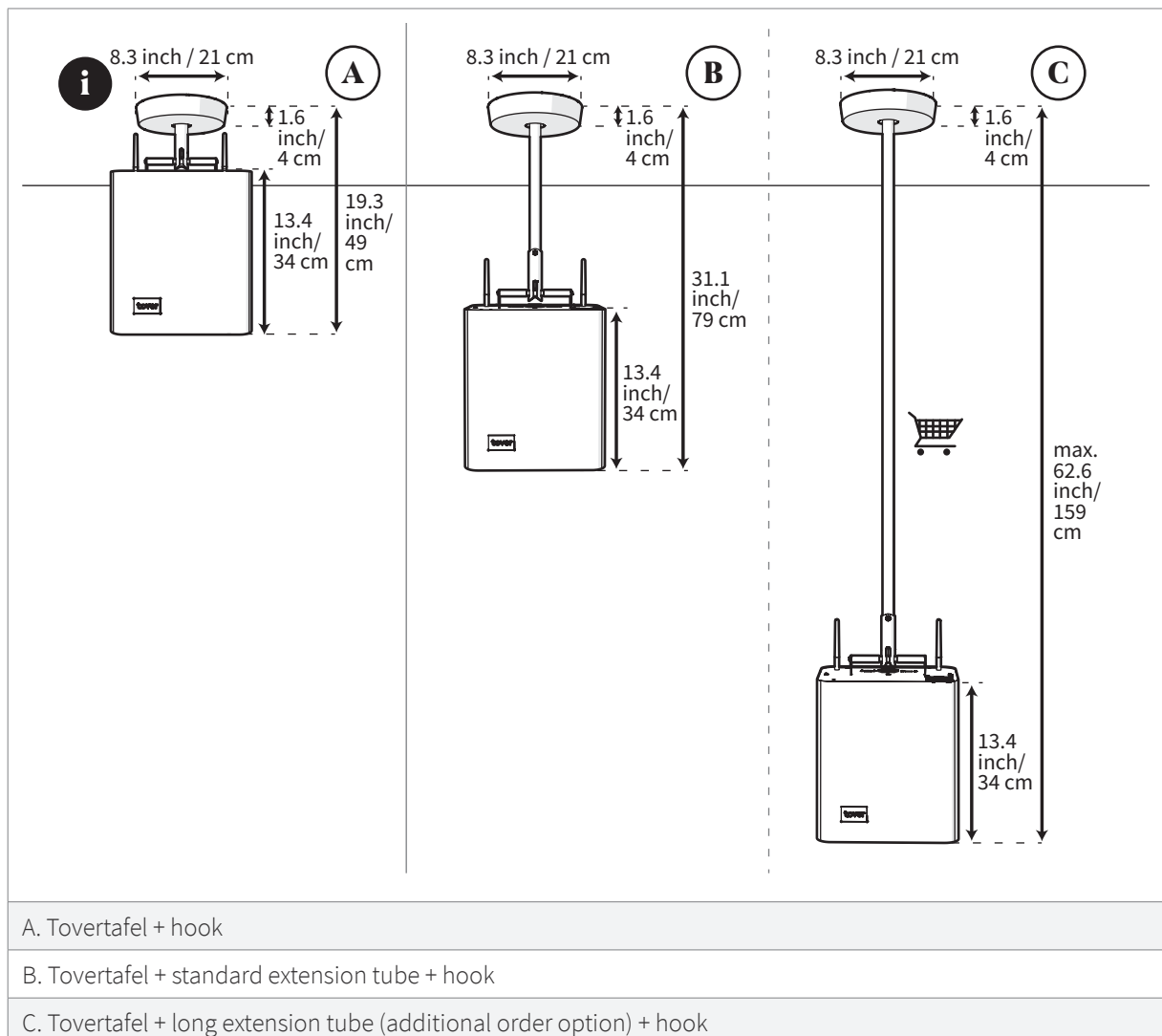
2.1. Specifications

Product	Tovertafel 2
Dimensions (h x w x d)	13.4 x 12.2 x 8.1 inch / 340 x 310 x 205 mm (without handle)
Weight	8.3 kg
Resolution (horizontal x vertical)	1280 x 800 px
Image ratio	4:10 PM
Lifespan of lamp	4000 hours of use
Brightness	3200 ANSI lumens

Contrast ratio	13000:1
Power supply	110 - 240 V
Maximum energy consumption	375 W
Remote control dimensions	6.0 x 1.4 x 0.8 inch / 150 x 36 x 20 mm
Batteries for remote control	2 x AAA / LR03
Computer system	Intel platform
USB	3.0

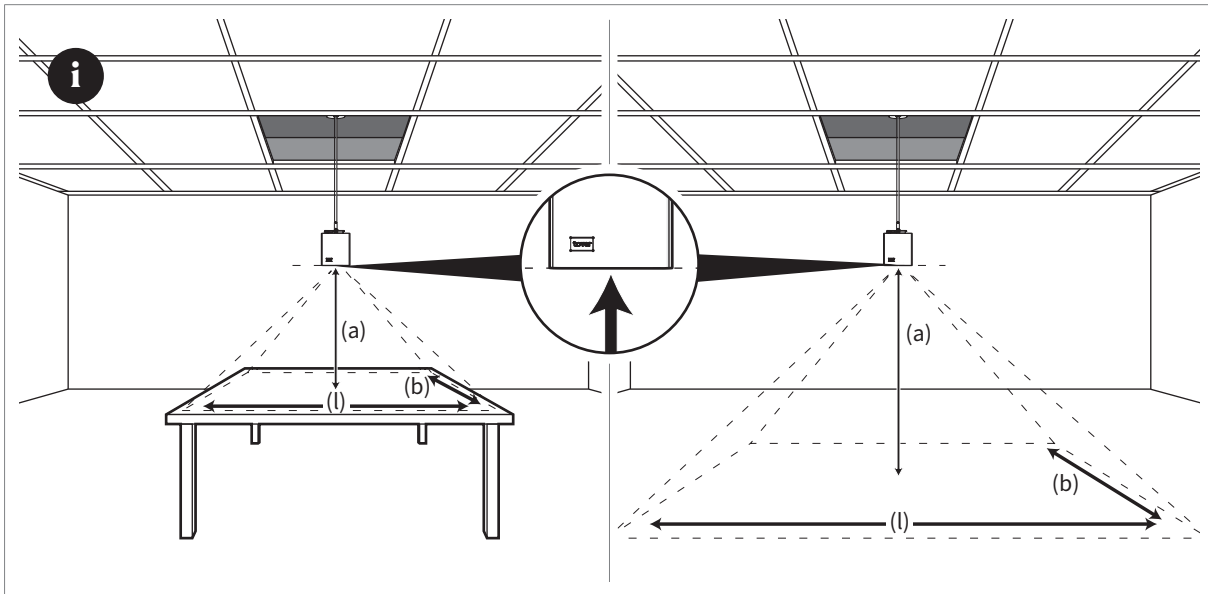
Tover B.V. retains the right to change products without being obliged to modify previously supplied products in the same way.

2.1.1. Hanging heights



2.1.2. Projection sizes

i The illustrations in this manual mainly show suspended ceilings. Since the structural ceiling is used with suspended ceilings, the measurements used also apply also to ceilings without a suspended ceiling.



The projection size depends on the height at which the Tovertafel is mounted: the higher it is mounted, the larger the projection. Below is a summary of the projection size and light intensity correlated to the different hanging heights of the Tovertafel.

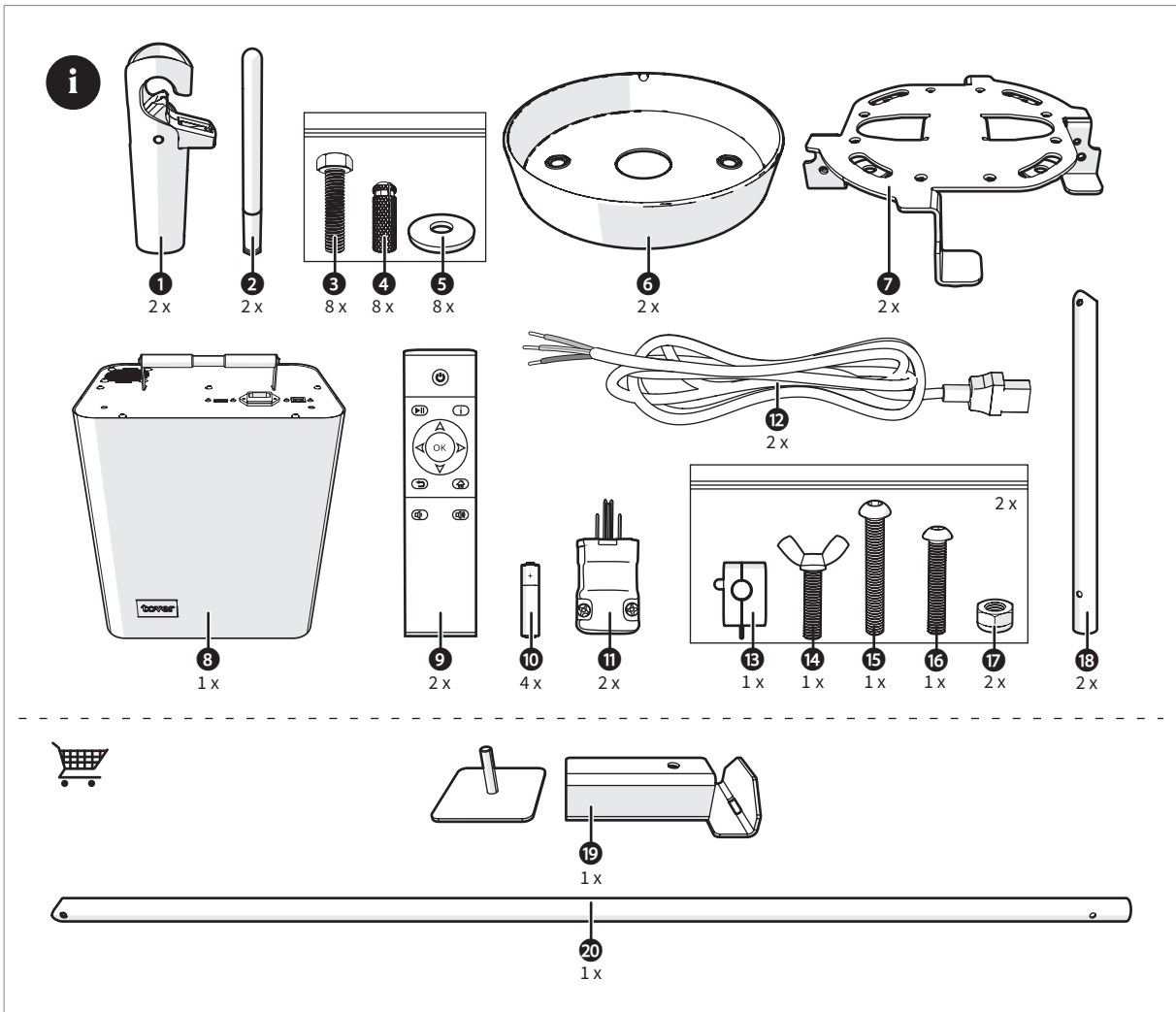
On a table:

(a)	Distance of white base plate Tovertafel - table (inch / cm)	43.3 / 110	45.3 / 115	47.2 / 120	49.2 / 125	51.2 / 130	53.1 / 135	55.1 / 140
(l)	Projection length (inch / cm)	50.8 / 129	53.1 / 135	55.5 / 141	57.9 / 147	60.2 / 153	62.6 / 159	65.0 / 165
(b)	Projection width (inch / cm)	31.9 / 81	33.5 / 85	34.6 / 88	36.2 / 92	37.8 / 96	39.0 / 99	40.6 / 103
	Light intensity (lux)	3057	2797	2569	2367	2189	2030	1887

For use on the floor:

(a)	Distance of white base plate Tovertafel - table (inch / cm)	80.7 / 205	82.7 / 210	84.6 / 215	86.6 / 220	88.6 / 225	90.6 / 230	92.5 / 235
(l)	Projection length (inch / cm)	94.9 / 241	97.2 / 247	99.6 / 253	102.0 / 259	104.3 / 265	106.7 / 271	108.7 / 276
(b)	Projection width (inch / cm)	59.4 / 151	60.6 / 154	62.2 / 158	63.8 / 162	65.0 / 165	66.5 / 169	68.1 / 173
	Light intensity (lux)	880	839	800	764	731	699	670

2.2. Parts included

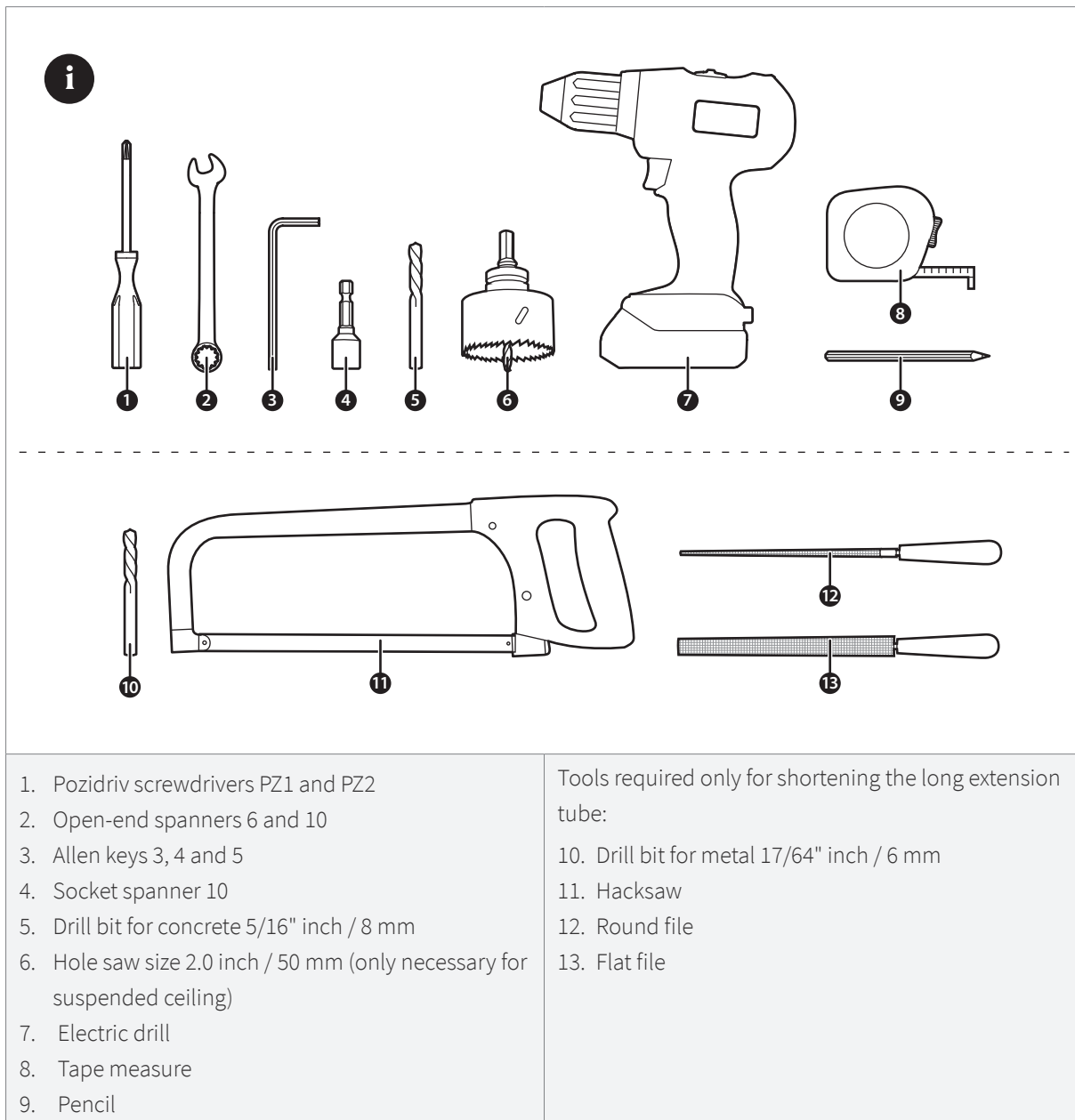


1. Hook
2. Aerial
3. Bolt M6 x 0.98 inch / 25 mm
4. Brass plug M6 x 0.87 inch / 22 mm
5. Washer M6 x 0.71 inch / 18 mm
6. Cover plate
7. Mounting plate
8. Tovertafel
9. Remote control
10. AAA battery
11. Plug
12. Power cable
13. Strain relief
14. Wing bolt M5 x 1.18 inch / 30 mm
(or socket-head screw M5 x 1.18 inch / 30 mm)
15. Socket-head screw M6 x 1.77 inch / 45 mm
16. Socket-head screw M6 x 1.5748 inch / 40 mm
17. Lock nut M6
18. Standard extension tube

May be ordered in combination:

19. Drilling aid
20. Long extension tube

2.3. Tools required



3. Safety instructions

Safety during use is only guaranteed if installation has been carried out correctly in a technical sense and in accordance with the installation instructions. The installer is liable for damage caused by improper installation (or installation in an unsuitable location).

3.1. General instructions

⚠WARNING

- Read the manual carefully. The Tovertafel may only be operated in a manner equivalent to the intended use; any other use may result in technical faults or accidents. The liability and product guarantee are compromised in the event of improper use.
- Danger of Tovertafel falling and risk of personal injury: avoid horizontal load on the hanging system. Avoid pushing against or swinging from the hanging system.
- The Tovertafel exerts a vertical load on the hanging system: never hang anything on it that would increase the prescribed vertical load, that could cause the mounting plate to fail.

NOTICE

- Before removing the plug from the power socket always turn the Tovertafel off first. If the device's software is not shut down correctly, it could cause the device to malfunction.

3.2. Positioning the product.

⚠WARNING

- Risk of fire and electric shocks. Always connect the Tovertafel to an earthed power socket, never to an unearthed one. Ensure the plug is properly inserted into the power socket to prevent the plug from moving.
- Danger of a short circuit and risk of electric shocks. Always connect the power cable to the plug in the correct manner (see step 18).
- Danger of a short circuit and risk of electric shocks. Always attach the power cable with a loop to the strain relief so that the power cable is never under strain. The cable must always be secured through the strain relief in the correct

manner to prevent damage to the cable (see step 20).

- Risk of personal injury and choking. Keep children out of the vicinity while installing the Tovertafel. Both during and after the installation, keep the packaging, the wrapping film and the plastic out of the reach of children.

3.3. Using the product

⚠WARNING

- Danger of a short circuit and risk of electric shocks. Prevent unnecessary pulling on, wear or damage to the power cable.
- Risk of fire. Never expose the Tovertafel to direct sunlight, open fire or heat. Never position the product near flammable materials.
- Risk of overheating and fire. Never place any objects in front of the lens or cover it. Never cover the openings in the product's casing.
- Risk of fire and electric shocks. Never expose the Tovertafel to water, rain, moisture or high humidity. Never immerse the product in water. Never touch the product with wet or damp hands.
- Risk of a short circuit. Never position the product in damp or dusty areas.
- Danger of a short circuit and risk of electric shocks from lightning. Turn off the product using the remote control and the power switch on the bottom of the Tovertafel. Lastly, remove the plug from the power socket. Never touch the aerials during a thunder storm.
- Danger of a short circuit and risk of electric shocks. Do not insert any metal objects into the end of the power cable when it is in the power socket. Never touch the plug immediately after removing it from the power socket. Never open the product itself.
- Risk of Tovertafel falling. Always click the handle of the Tovertafel firmly onto the hook and always ensure that the hook locks into place.
- Risk of personal injury. Never allow children to play with the physical device, climb on or hang from the Tovertafel.
- Risk of eye damage. Never look directly into the lens of the Tovertafel for a prolonged period of time.

⚠ CAUTION

- Risk of damage. Never allow the product to fall; avoid jolting it. Never touch the Tovertafel's lens.

NOTICE

- Risk of fault. Never use a product that makes use of high voltage current (e.g. an electronic fly swatter) near the Tovertafel.

3.4. Battery instructions for remote control

⚠ WARNING

- Risk of fire due to fluid leakage from cracked batteries. Always replace batteries on time. Avoid combining partially used batteries with unused ones in the remote control. If you are not going to use the remote control for a prolonged period, remove the batteries.
 - Risk of fire, explosion, injury and environmental damage due to cracked or leaking batteries. When inserting a battery, ensure that the plus (+) and minus (-) polarity markings of the battery match the plus (+) and minus (-) polarity markings in the remote control.
 - Risk of fire and explosion. Never expose the batteries to direct sunlight, flame, sparks, electrical heating, or temperatures above 60 °C; do not store them where there is high humidity or excessive heat. Never throw batteries around or disassemble batteries, thereby preventing fluid leakage from cracked batteries.
 - Risk of fire and explosion. Never dispose of batteries in the normal waste. Dispose of batteries in the correct manner. Comply with local rules and regulations for such disposal.
 - Risk of fire and explosion. Only use batteries that meet the indicated specifications. Never replace a battery with a battery of the incorrect type.
 - Risk of personal injury. Supervise children's use of the remote control. Ensure that children never put the remote control batteries in their mouth. If a battery is swallowed, call for medical assistance immediately.
 - Risk of personal injury. If the batteries in the remote control leak, throw the entire remote control away in the chemical waste. Order a new remote control via service / assistance
- Chapter 1.2.

- Risk of personal injury. In the event of battery leakage, ensure the fluid never comes into contact with the skin or eyes. Should this occur anyway, rinse the fluid off immediately using plenty of water and call for medical assistance.

4. Installation



The product is under continuous development. For the most up-to-date instructions and detailed support in video and text, go to www.tover.care/manual

4.1. Checking the package contents

Check that all components are present (see Chapter 2.2. Parts included) and there is no visible damage to the components. If components are missing or damaged, please contact Tover B.V. or one of our approved distributors. (see Chapter 1.2. Assistance). Note the serial number in the documentation folder. The serial number can be found on the top of the product indicated by S/N.

4.2. Installing the Tovertafel

⚠WARNING

- The Tovertafel should be suspended eccentrically relative to the table. This means that the Tovertafel should not be mounted precisely above the center of the table (see step 1 for more details).
- The height at which the Tovertafel should be suspended depends on the desired projection size (see Chapter 2.1.2. Projection sizes).

⚠WARNING

- Risk of overheating and fire. Never obstruct the Tovertafel's ventilation openings. Never install the product in a suspended ceiling. It can be mounted under a suspended ceiling, provided there is enough space around the Tovertafel.
- Danger of a short circuit and risk of electric shock. File the long extension tube until all sharp edges are removed to prevent damage to the cable.

Danger of the Tovertafel falling and risk of personal injury:

- Use the hanging system supplied to mount the Tovertafel. Preferably fix the hanging system from a concrete ceiling.
- With correct mounting using the brass plugs supplied, the system can withstand a maximum

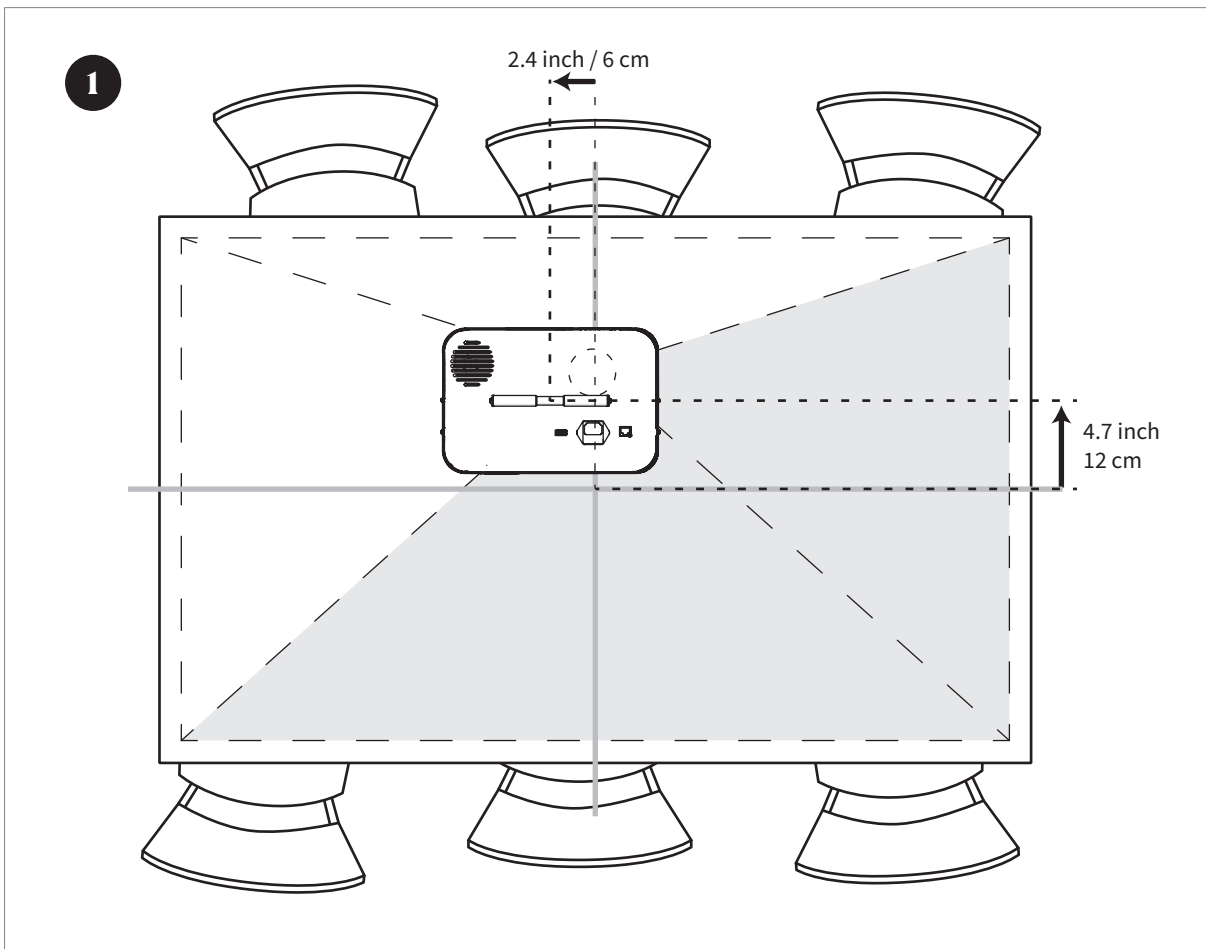
load of 110 kg (1.1 kN). This is to bear the weight of the Tovertafel and the hanging system (in total approximately 10 kg) and limit any risk from improper use (e.g. when a person hangs on the Tovertafel or external forces are exerted on it in some other way). Fix the system to a ceiling that is capable of bearing this weight, at minimum.

- Never mount the Tovertafel to a suspended ceiling, but always to a proper ceiling above it.
- Tighten the bolts, nuts and screws correctly (see step 15). Prevent breaking the screw joint by avoiding over-tightening the screws.
- Always drill new drill holes for attaching the mounting plate. Ensure the drill holes are not too large, too deep or too shallow. Always use new and suitable bolts, plugs, washers and screws. Using the supplied parts is preferable.
- Always attach the mounting plate to the ceiling at all four points.

NOTICE

- Avoid installing the Tovertafel further than 2.36 inch / 60 cm from a power socket.
- The Tovertafel may be used for a projection onto the floor or onto a table. For an ideal image result, we recommend that you choose a smooth, even, light and stable surface.
- **i** Ensure that the projection from the Tovertafel is a minimum of 59.0 inch / 1.5 meters away from the windows and walls for safety and maximum light intensity.
- **i** The room in which the Tovertafel is to be located must preferably be fitted with (dark) curtains or blinds so the room can be darkened on sunny days. For an ideal image result, install the Tovertafel in a shaded place.

4.2.1. Determining the location for the suspension point



Step 1: Determine the location for the mounting plate on the ceiling.

i In the above picture, you can see the top of the Tovertafel with a table and chairs underneath. The center point of the Tovertafel is **not** the center of the projection. The center point of the Tovertafel, and thus of the mounting plate as well, must be shifted relative to the center of the table by 2.4 inch / 6 cm over the length and by 4.7 inch / 12 cm over the width.

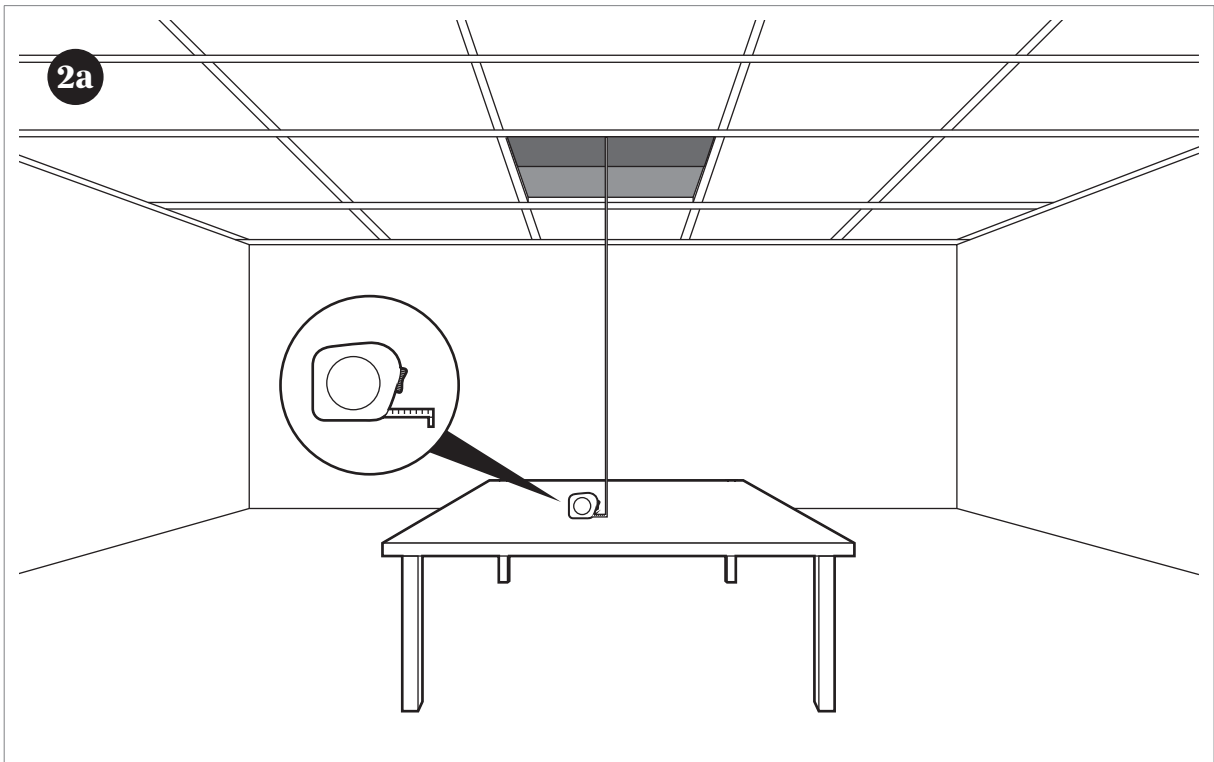


How do you intend to use the Tovertafel?

Projection onto a table: go to **step 2a**

Projection onto the floor: go to **step 2b**

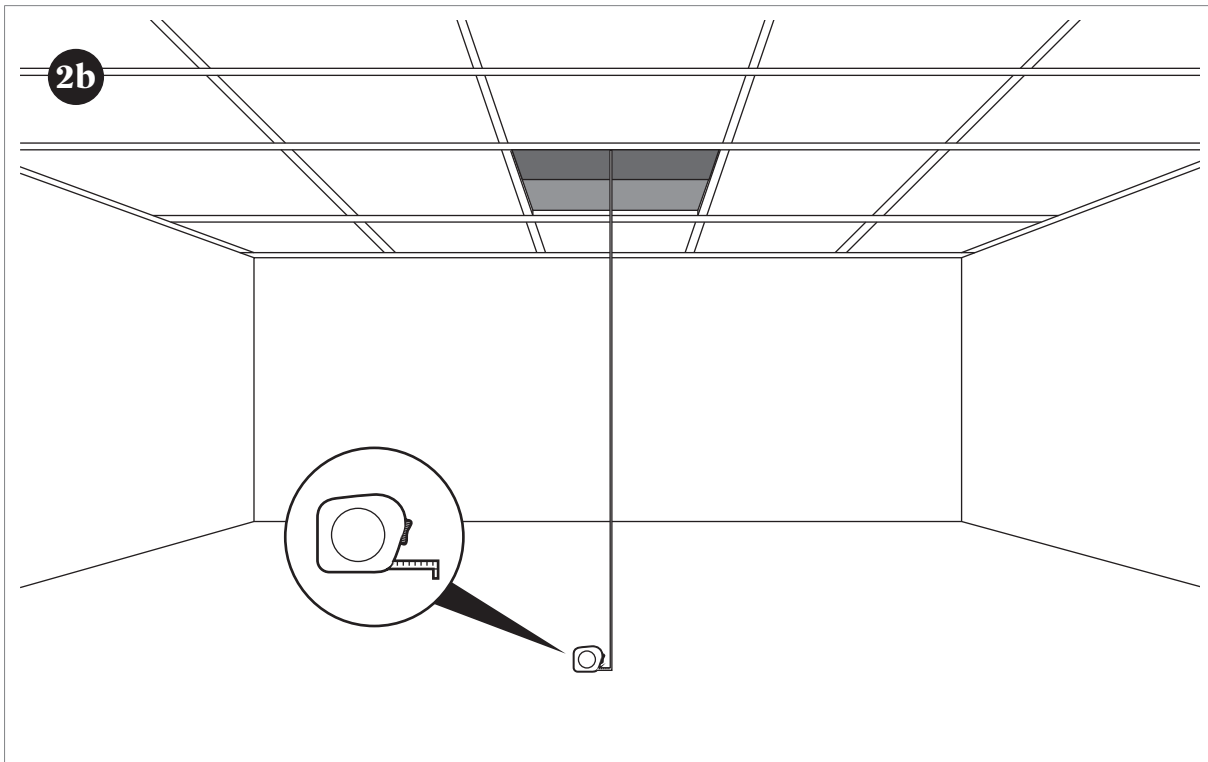
4.2.2. Installing for use on the table



Step 2 a: Measure the height from the ceiling to the table.

<p>60.6 - 72.4 inch 154 - 184 cm</p>	<p>72.4 - 84.3 inch 184 - 214 cm</p>	<p>+ 84.3 inch / 214 cm</p>
<p>Step 3 a: For a height of 60.6 - 72.4 inch / 154 - 184 cm, use the hook only. For a suspended ceiling, use the standard extension tube. Go to step 12.</p>	<p>Step 3b: For a height of 72.4 - 84.3 inch / 184 - 214 cm, use the standard extension tube and go to step 12.</p>	<p>Step 3c: For a height of more than 84.3 inch / 214 cm, use the long extension tube (optional order item) and go to step 4 to saw the tube to size.</p>

4.2.3. Installing for use on the floor



Step 2b: Measure the height from the ceiling to the floor.



<p>3d</p> <p>98.0 – 109.8 inch 249 – 279 cm</p>	<p>3e</p> <p>109.8 – 121.7 inch 279 – 309 cm</p>	<p>3f</p> <p>+ 121.7 inch / 309 cm</p>
<p>Step 3d: For a height of 98.0 – 109.8 inch / 249 – 279 cm, use the hook only. For a suspended ceiling, use the standard extension tube. Go to step 12.</p>	<p>Step 3e: For a height of 109.8 – 121.7 inch / 279 – 309 cm, use the standard extension tube and go to step 12.</p>	<p>Step 3f: For a height of more than 121.7 inch / 309 cm, use the long extension tube (optional order item) and go to step 4 to saw the tube to size.</p>

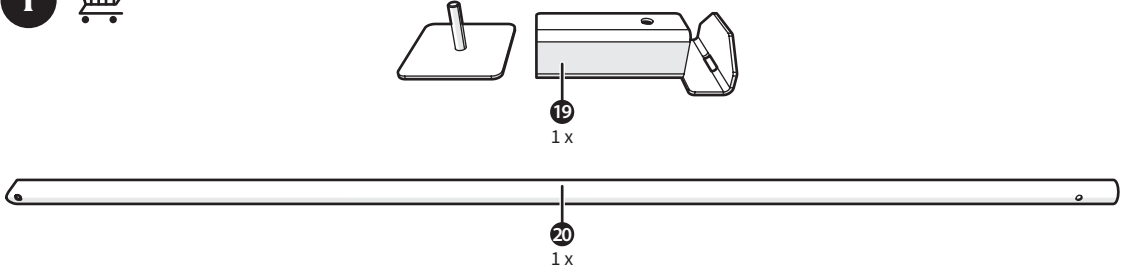
4.3. Saw the tube to size



The product is under continuous development. For the most up-to-date instructions and detailed support in video and text, go to www.tover.care/manual

4.3.1. Parts included




19
1 x

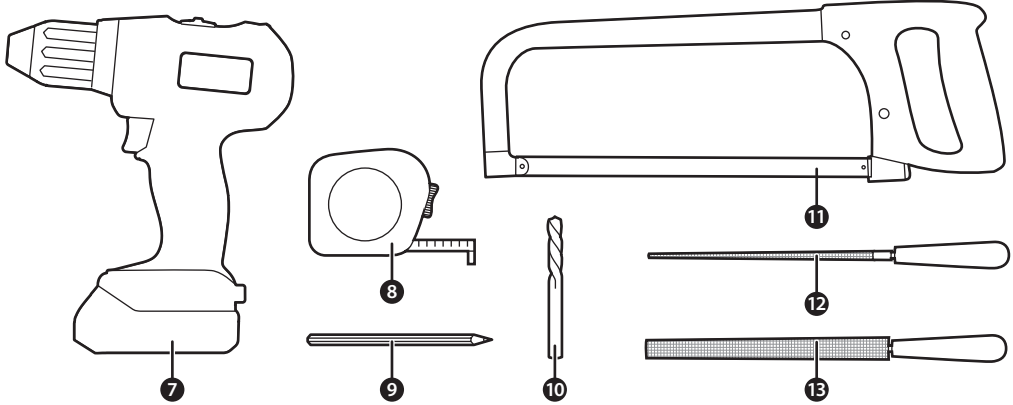
20
1 x

May be ordered in combination:

- 19. Drilling aid
- 20. Long extension tube

4.3.2. Tools required





7. Electric drill

8. Tape measure

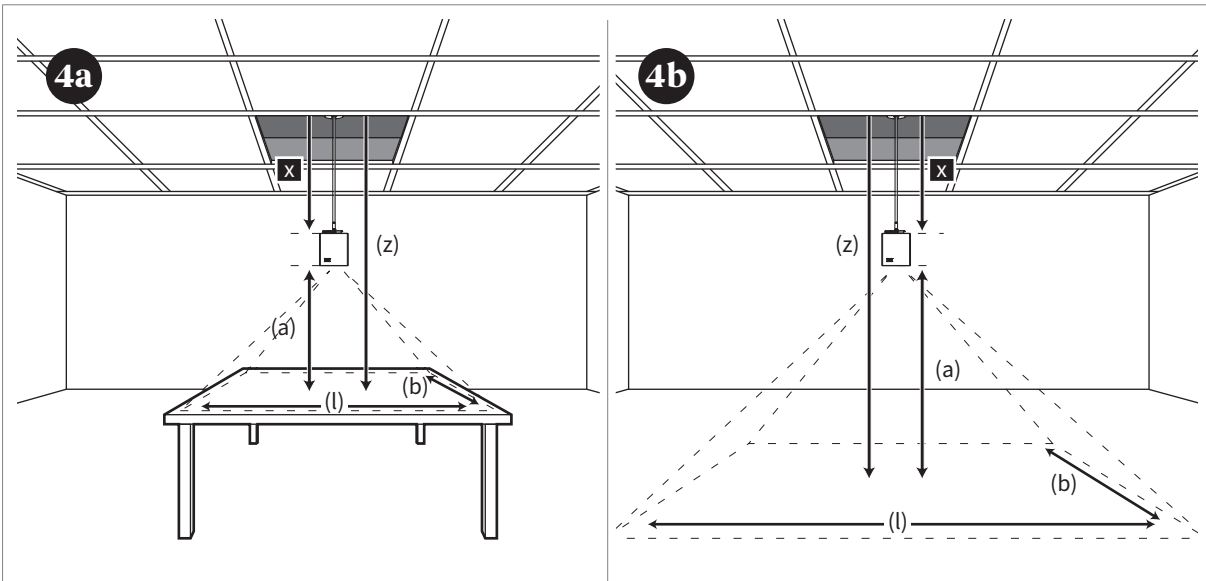
9. Pencil

10. Drill bit for metal 17/64" inch / 6 mm

11. Hacksaw

12. Round file

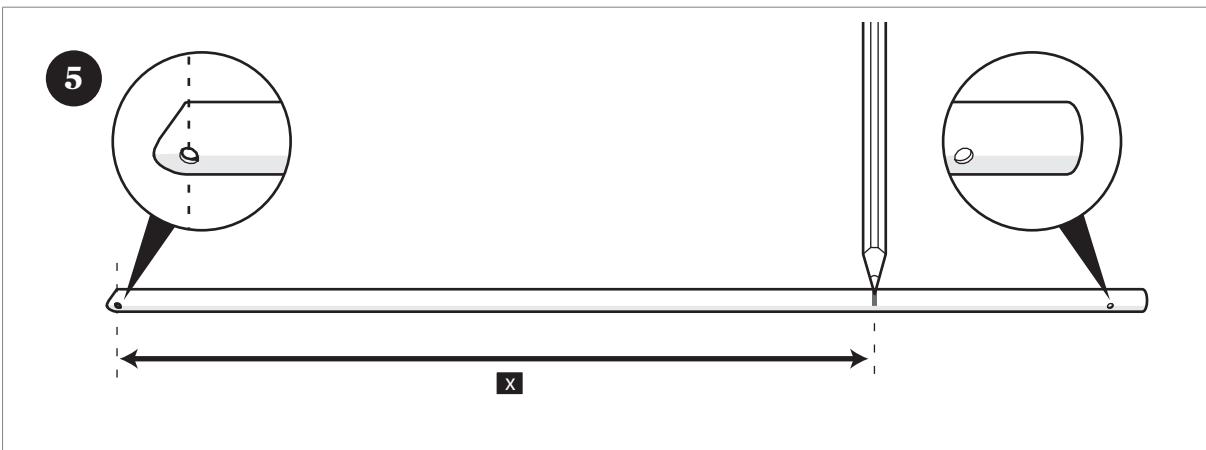
13. Flat file



Step 4: Determine the length of the tube (x).

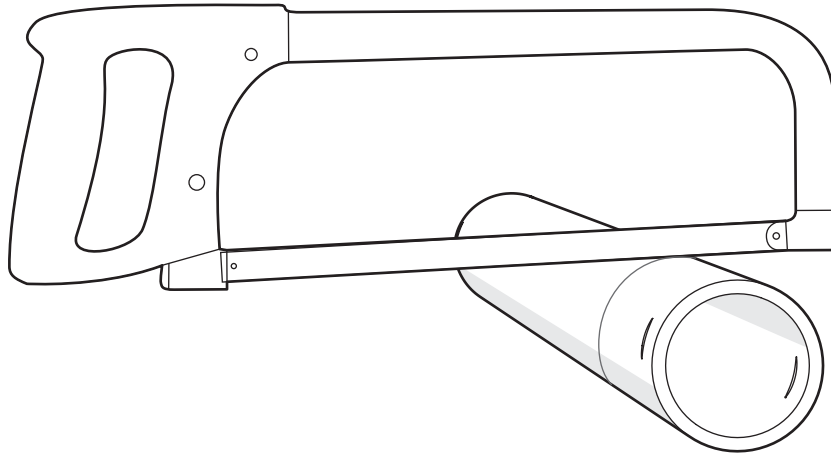
1. Measure the distance from the ceiling to the table or floor (z).
2. Measure the length of (l).
3. Determine (a) using the measurement (l) in the table in Chapter 2.1.2.Projection sizes.
4. Calculate the formula: $(z) - (a) - 15.7 \text{ inch} / 40 \text{ cm} = (x)$

Calculation aid: (z)..... - (a)..... - 15.7 inch / 40 cm = (x).....



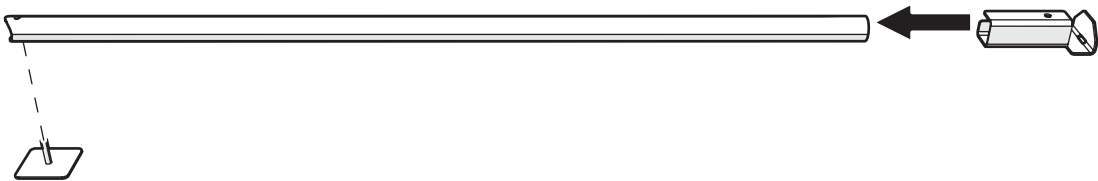
Step 5: Mark off (x) inch / cm on the tube.

6



Step 6: Saw the tube on the marked line.

7



Step 7: Place the pin of the drilling aid in the hole of the tube. Then slide the second part of the drilling aid over the recently sawn part of the tube. Ensure that the end of the tube is opposite the position.

8

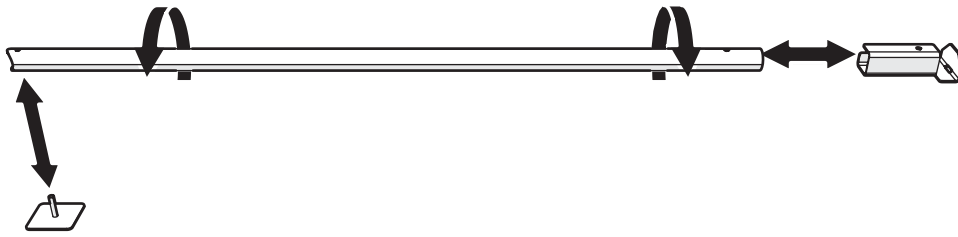


⚠ WARNING

- Drill through the first wall of the tube only; do not drill right through the tube.

Step 8: Using a 17/64" inch / 6 mm drill bit for metal, drill a hole at the top edge of the tube. Use the hole in the drilling aid to position the hole.

9



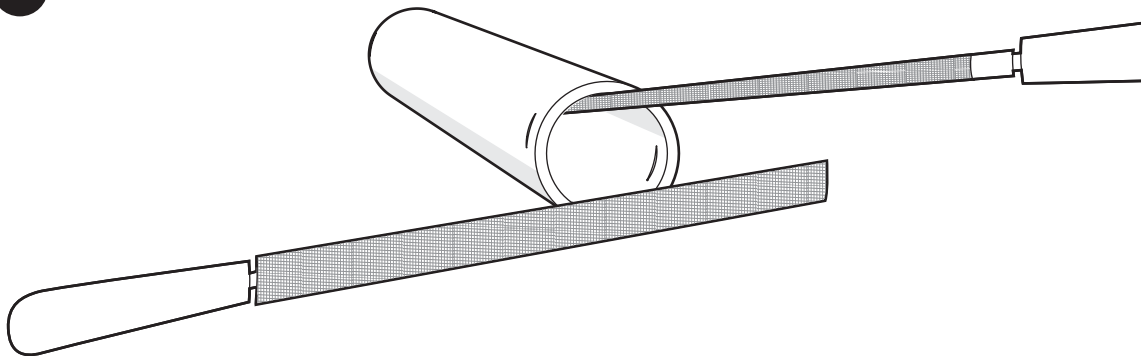
Step 9: Turn the tube 180 degrees and place the drilling aid in and around the tube for a second time. Ensure that the end of the tube is opposite the position.

10



Step 10: Using a 17/64" inch / 6 mm drill bit for metal, drill a hole through the tube via the hole of the drilling aid.

11

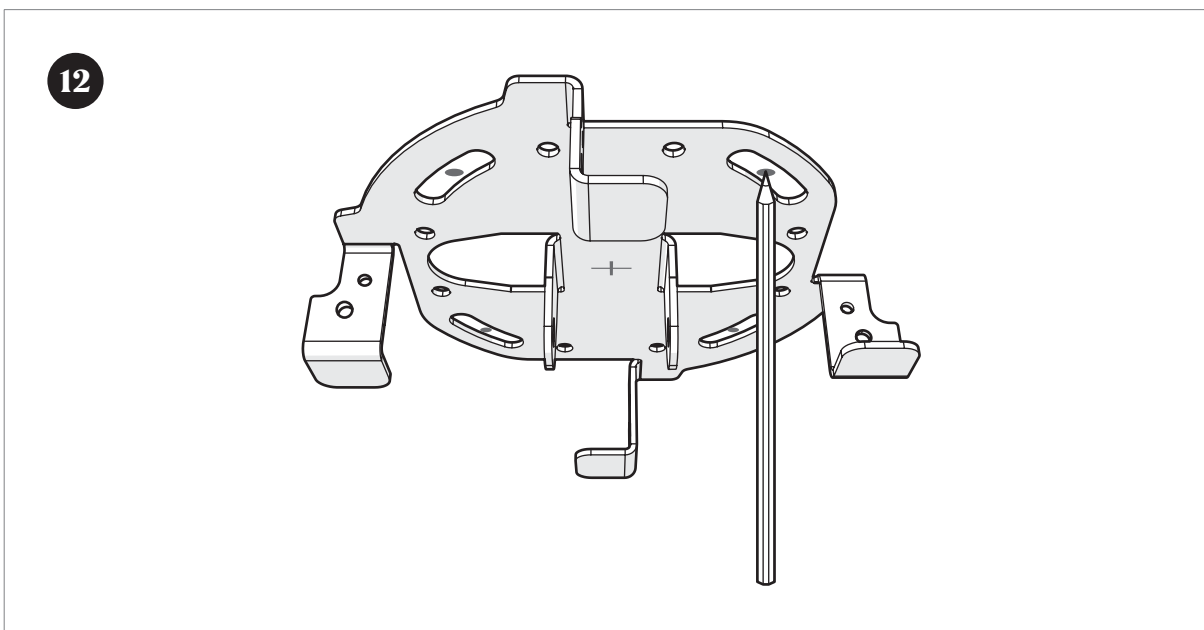


Step 11: File the end of the tube on the inside and outside.

⚠WARNING

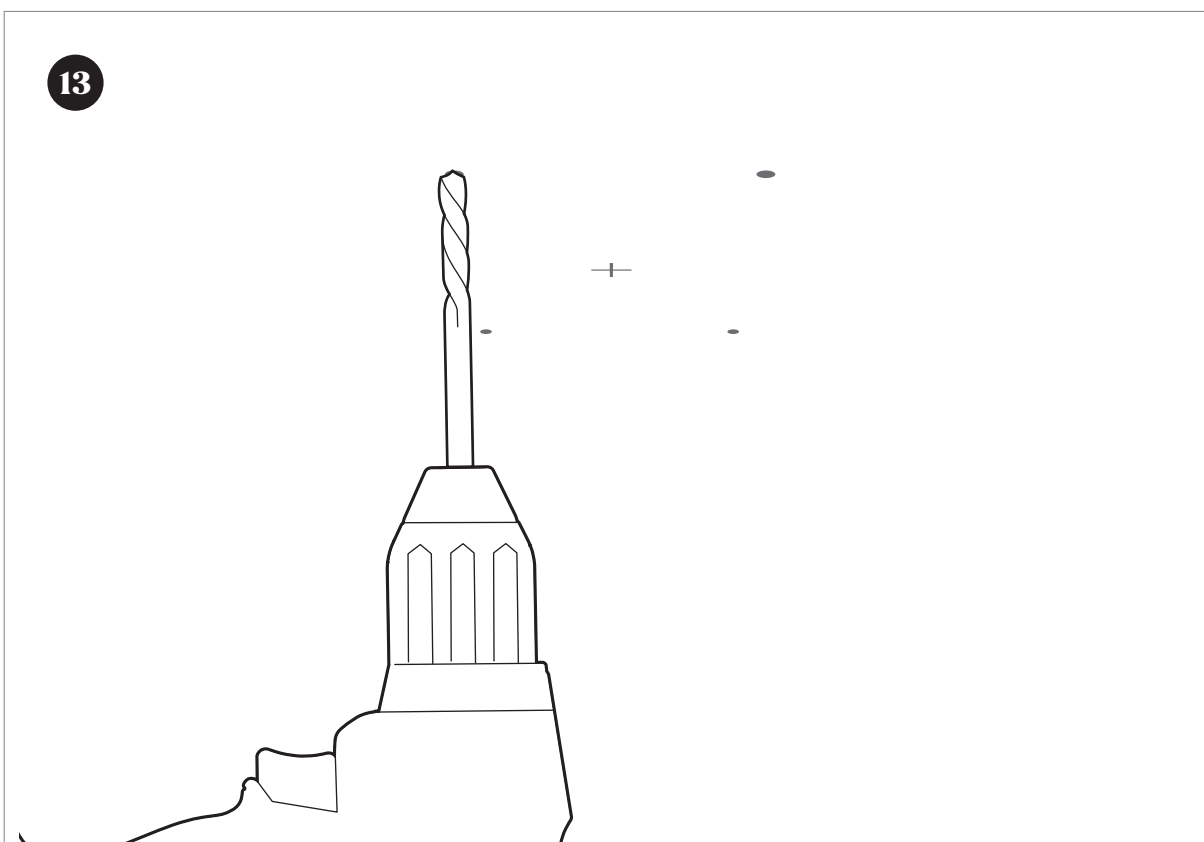
- Danger of a short circuit and risk of electric shock. File the long extension tube until all sharp edges are removed to prevent damage to the cable.

4.3.3. Attaching the mounting plate to the ceiling



i The rotation of the ceiling plate must be aligned with the table.

Step 12: Hold the mounting plate against the ceiling and mark the positions for the drill holes on the ceiling.

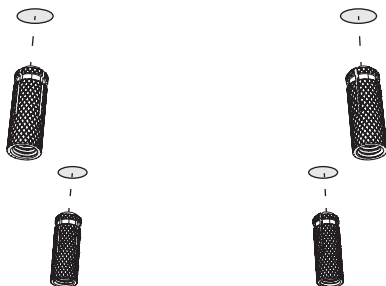


Step 13: Drill the marked positions 1.4 inch / 35 mm deep using a 5/16" inch / 8 mm drill bit for concrete.

⚠WARNING

- Danger of Tovertafel falling and risk of personal injury: Always drill new drill holes for fixing the mounting plate. Ensure the drill holes are not too large, too deep or too shallow.

14

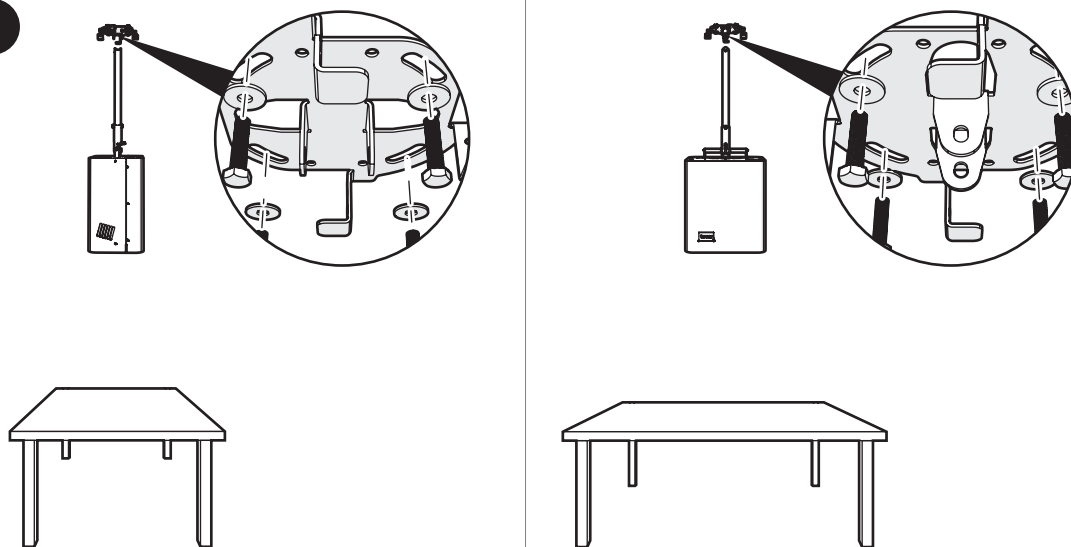


Step 14: Place the brass plugs supplied in the drilled holes.

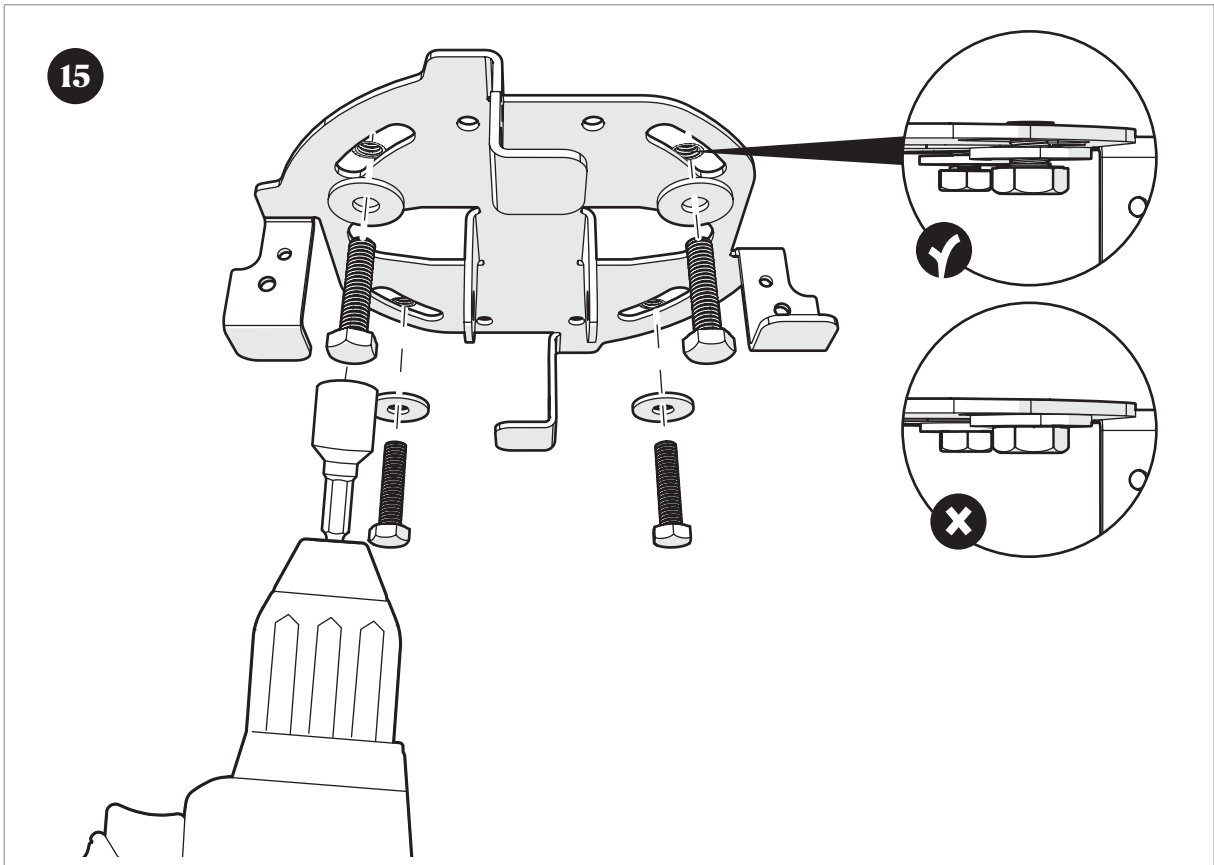
⚠ WARNING

- Always use new and suitable bolts, plugs, washers and screws. Using the supplied parts is preferable.

i



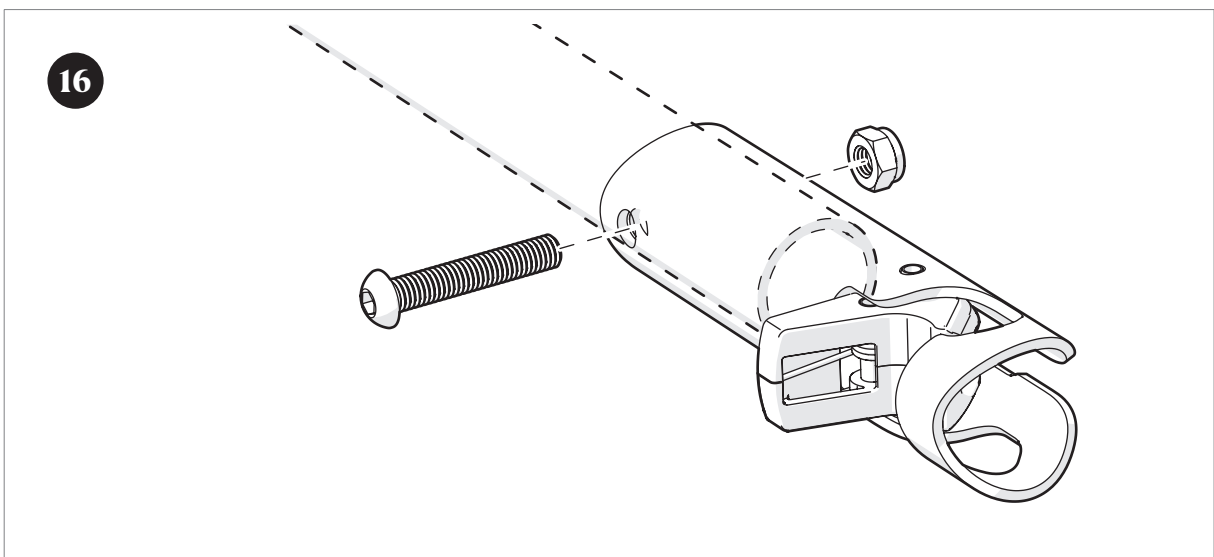
- i** The mounting plate can be fixed to the ceiling in two directions. In the next step, use the direction applicable to mounting. The tube must be able to swing in the longitudinal direction of the projection.



Step 15: Fasten the mounting plate to the ceiling with the bolts and washers. Do not tighten the bolts fully yet so that you can still adjust the mounting plate to the correct position. Once the mounting plate is in the desired position, tighten the bolts in a controlled fashion.

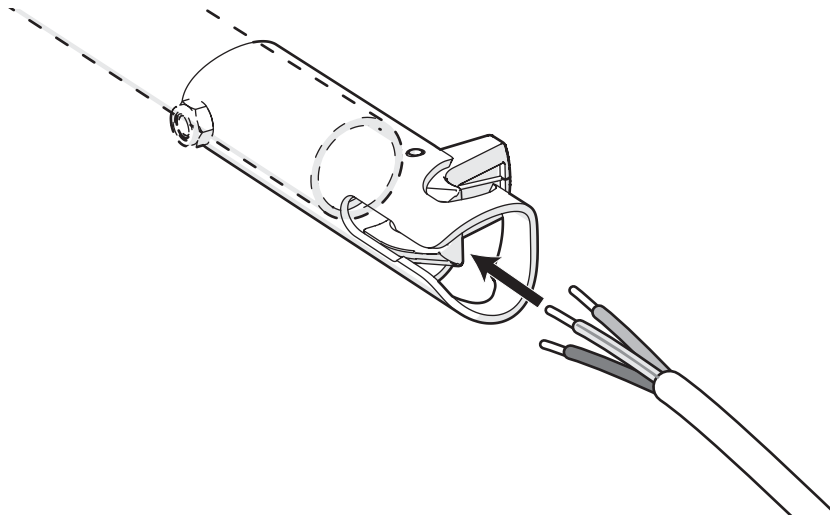
⚠ WARNING

- Danger of Tovertafel falling and risk of personal injury: Tighten the bolts, nuts and screws correctly. Prevent breaking the screw joint by avoiding over-tightening the screws.
- ⓘ The rotation of the ceiling plate must be aligned with the table. A slight angular displacement is already visible in the projection.



Step 16: When using an extension tube: Attach the hook to the tube with the supplied M6 x 1.5748 inch / 40 mm socket-head screw and M6 locking nut.

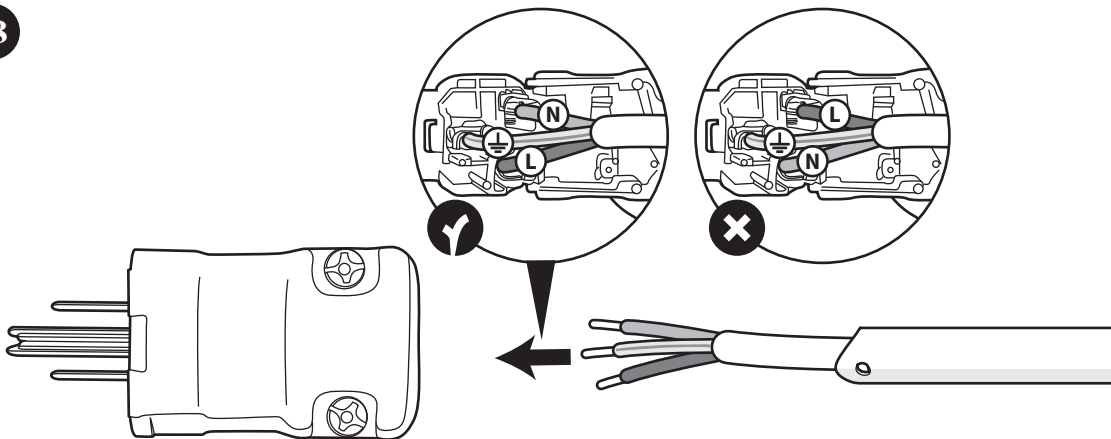
17



Step 17: Pull the cable through the hook and tube or just through the hook. Ensure that there is 8 inch / 20 cm of power cable remaining at the bottom of the hook in order to connect the Tovertafel to the plug.

i Tape the ends of the cables together with some tape so it is easier to pull the cable through the tube.

18

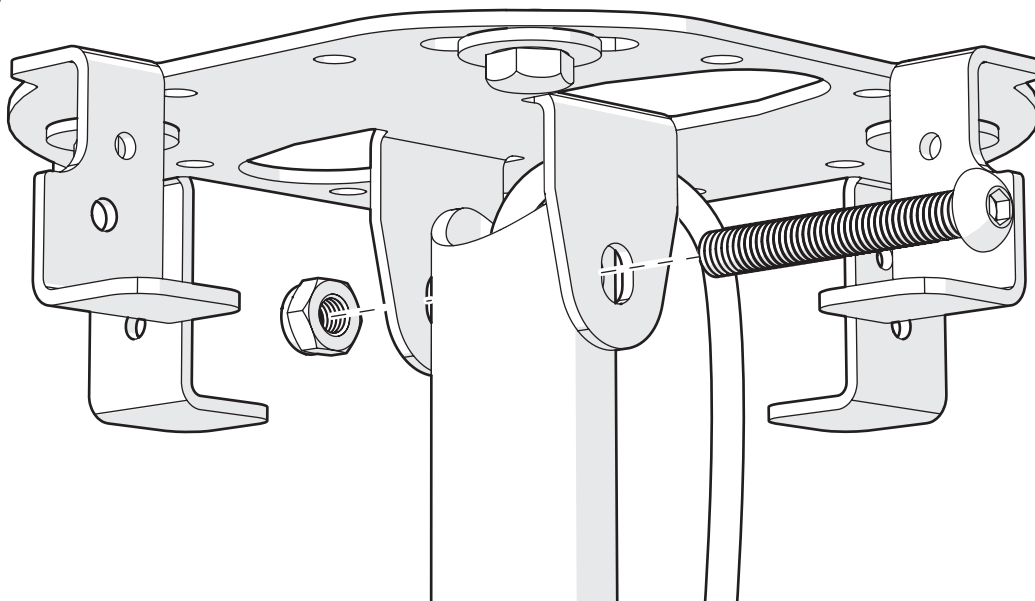


Step 18: Insert the power cable into the plug.

⚠ WARNING

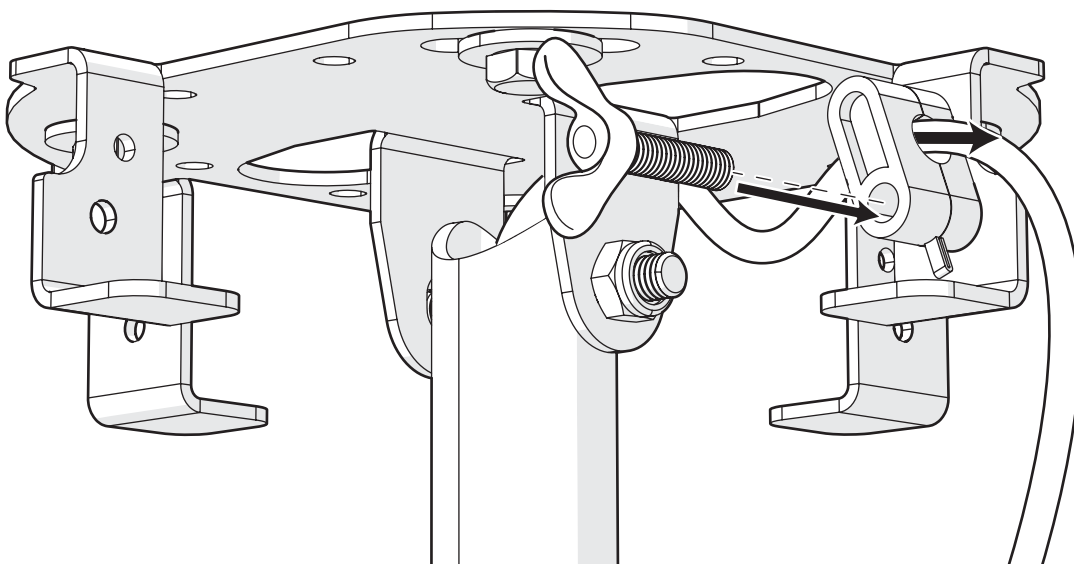
- Danger of a short circuit and risk of electric shocks. Always connect the power cable to the plug in the correct manner. Ask for professional help if you are unfamiliar with connecting plugs.

19



Step 19: Attach the hook (or the tube with the hook) to the mounting plate using a M6 x 1.77 inch / 45 mm socket-head screw and M6 locking nut.

20



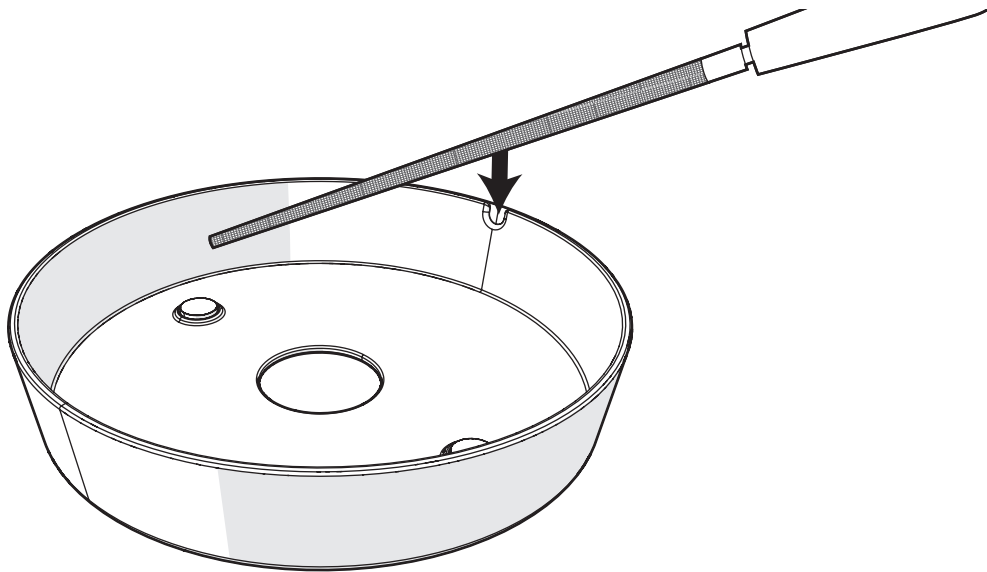
Step 20: Pull the power cable through the hole of the black plastic strain relief. Tighten the M5 x 1.18 inch / 30 mm wing bolt (or socket-head screw M5 x 1.18 inch / 30 mm) in the black plastic strain relief until the power cable can no longer move backwards or forwards.

⚠ WARNING

- Danger of a short circuit and risk of electric shocks. Always attach the power cable with a loop to the strain relief, so that the power cable is never under strain. The cable must always be secured through the strain relief in the correct manner to prevent damage to the cable.

4.3.4. Finishing

21

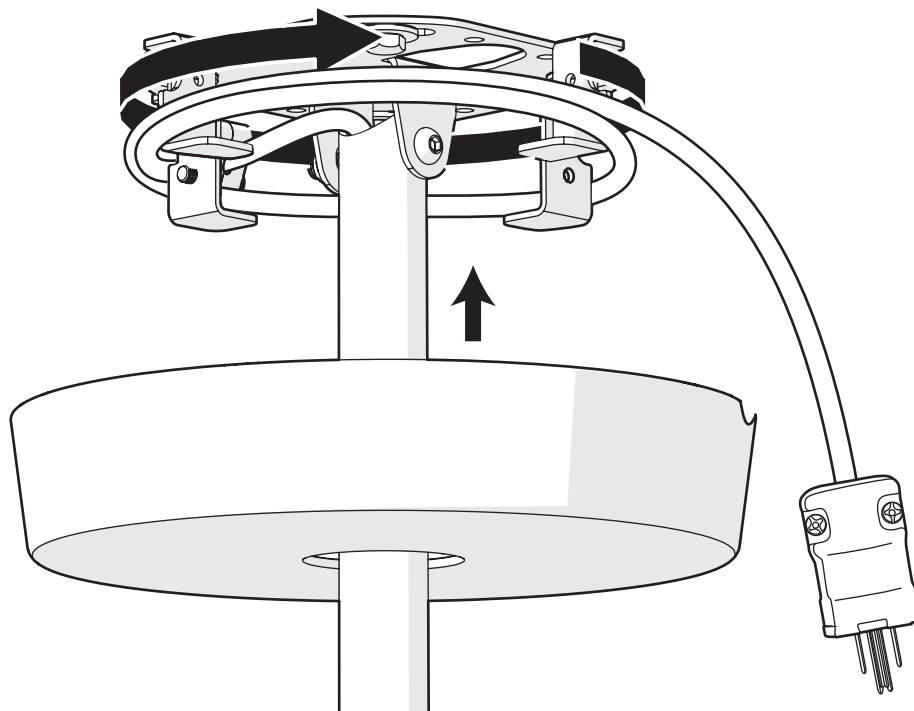


Step 21: Use the round file to make a hole in the side of the cover plate.

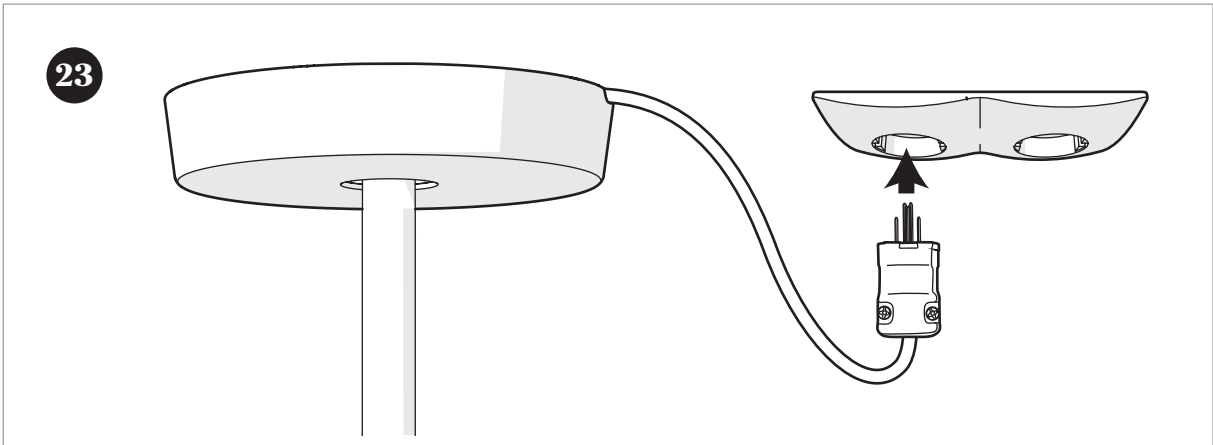
⚠ WARNING

- Danger of a short circuit and risk of electric shocks. File until all sharp edges are removed to prevent damage to the cable.

22



Step 22: Wind the remainder of the cable around the mounting plate and press the cover plate against the mounting plate so that the magnets fall onto the feet.

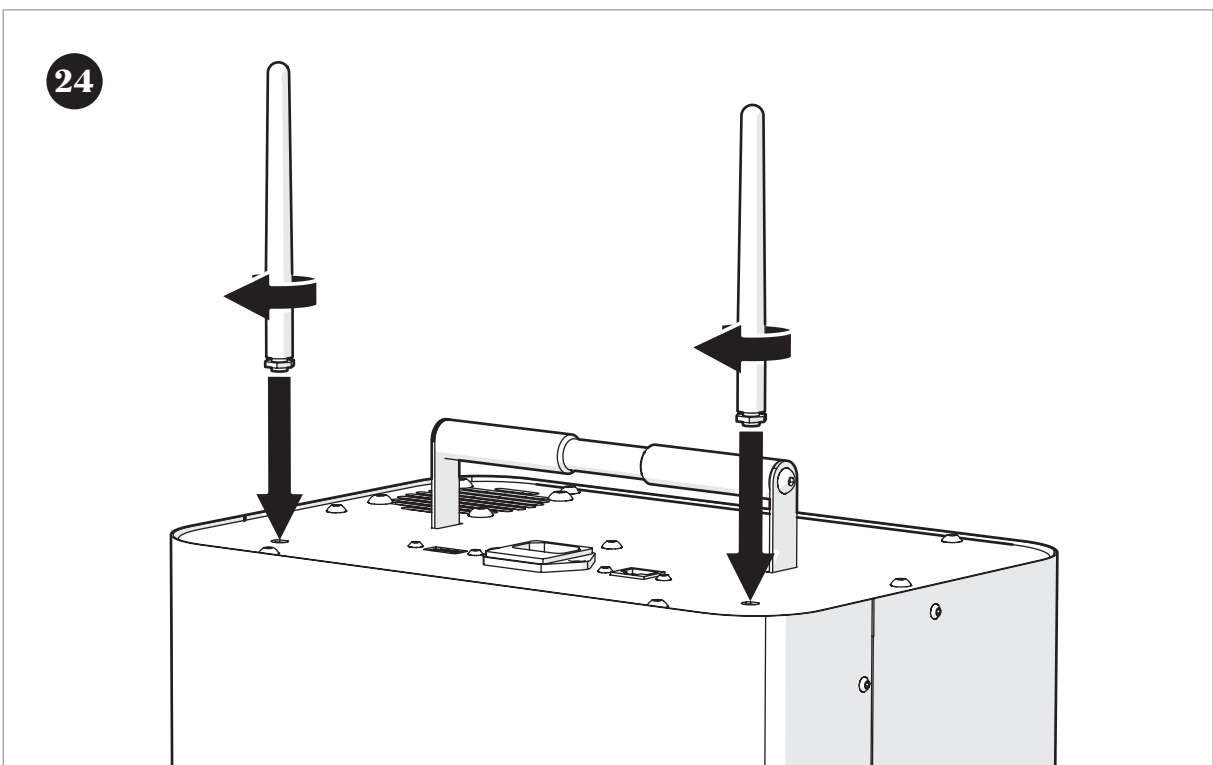


Step 23: Insert the plug into the power socket.

⚠ WARNING

- Risk of fire and electric shocks. Always connect the Tovertafel to an earthed power socket, never to an unearthed one. Ensure the plug is properly inserted into the power socket to prevent the plug from moving.

4.4. Installing aerials



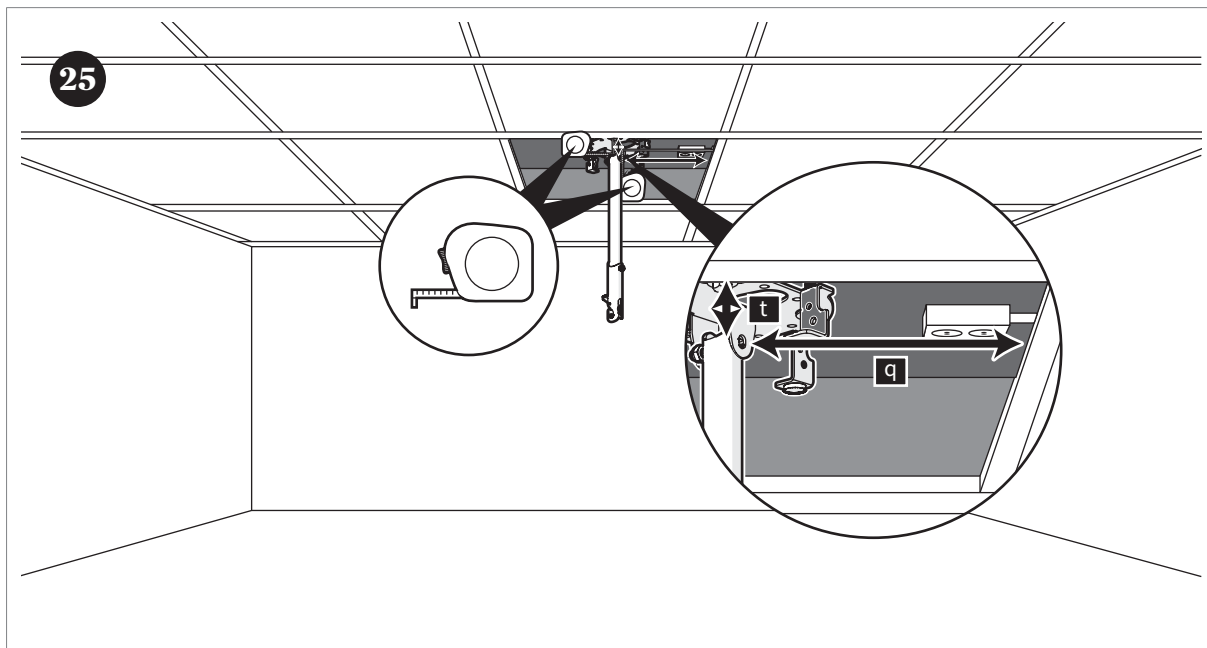
Step 24: Tighten the aerials on the top of the Tovertafel.

⚠ WARNING

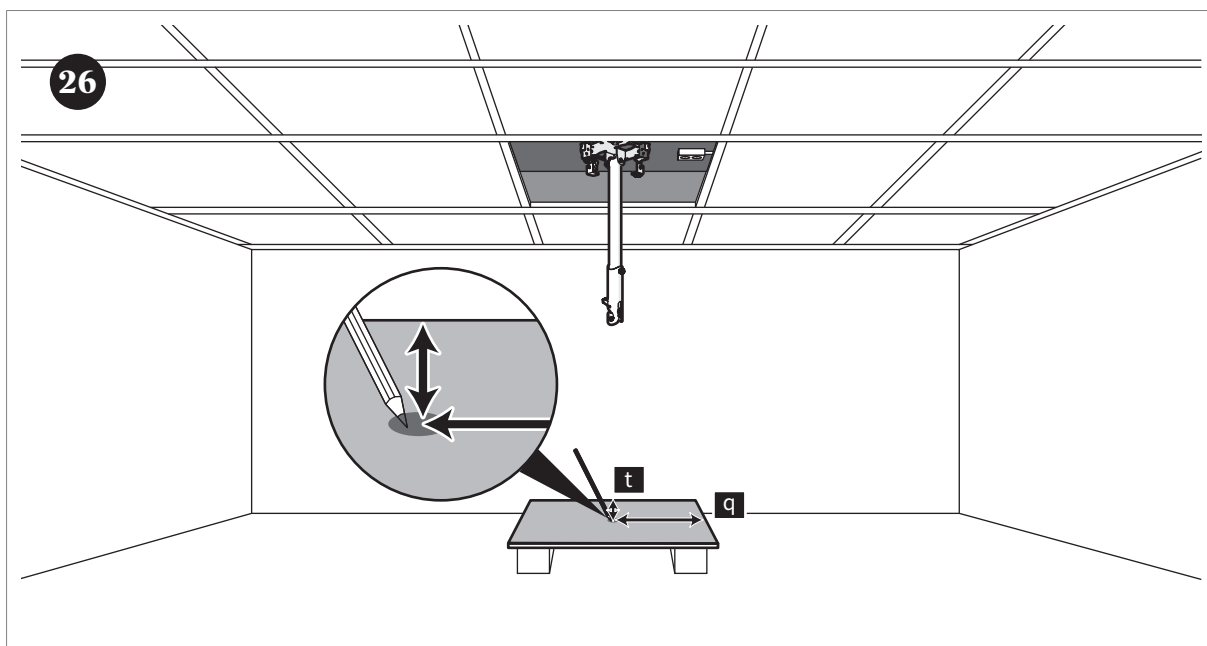
- Never touch the aerials during a thunder storm.

	Is there a suspended ceiling that needs to be finished off?
	Yes: continue with Step 25
	No: go to step 29

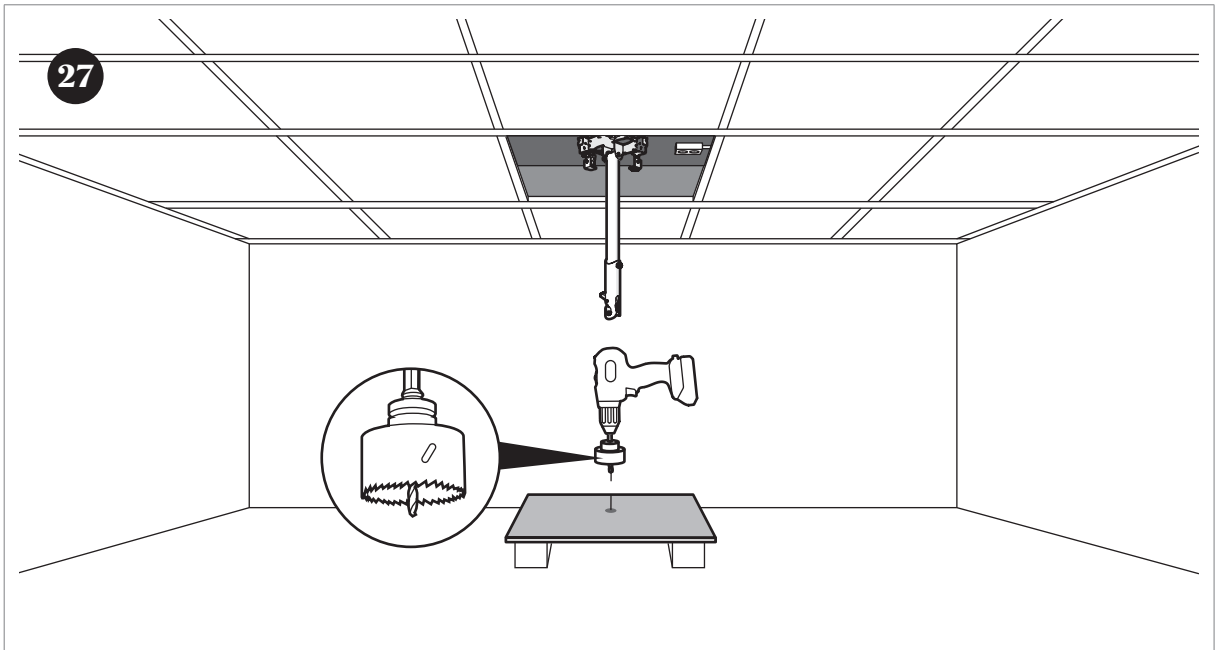
4.5. Finishing off around the suspended ceiling



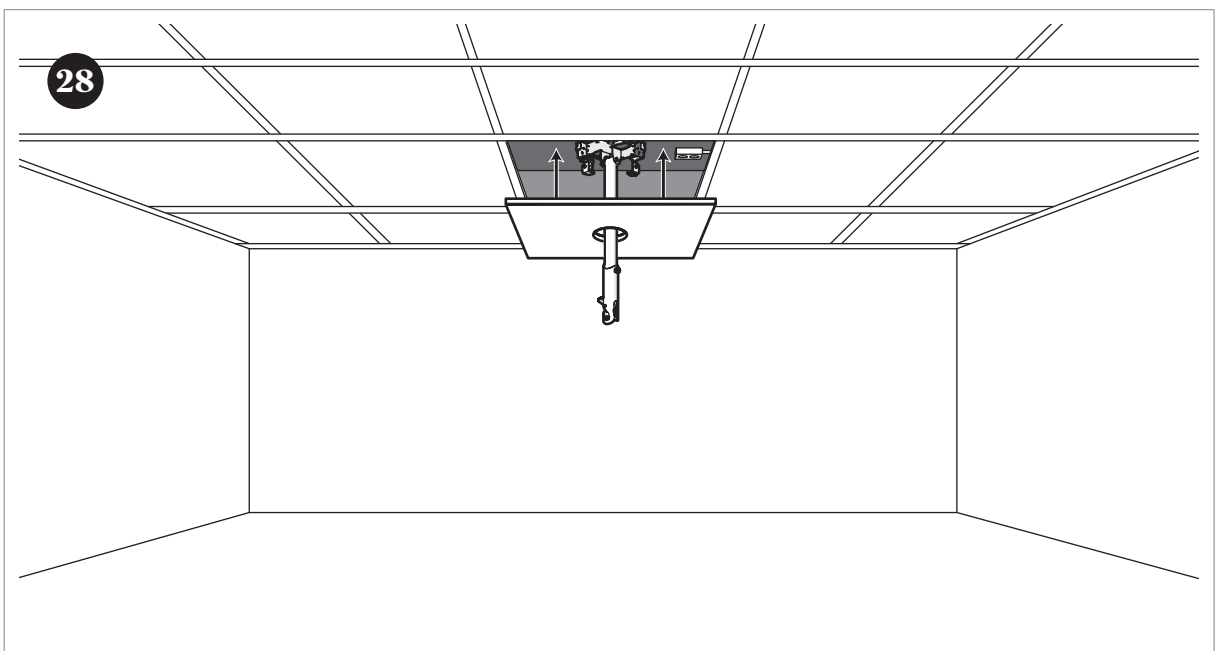
Step 25: Measure the distances t and q (distance from the tube to the edge of the suspended ceiling).



Step 26: Mark t and q on the reverse side (non-visible side) of the ceiling panel.

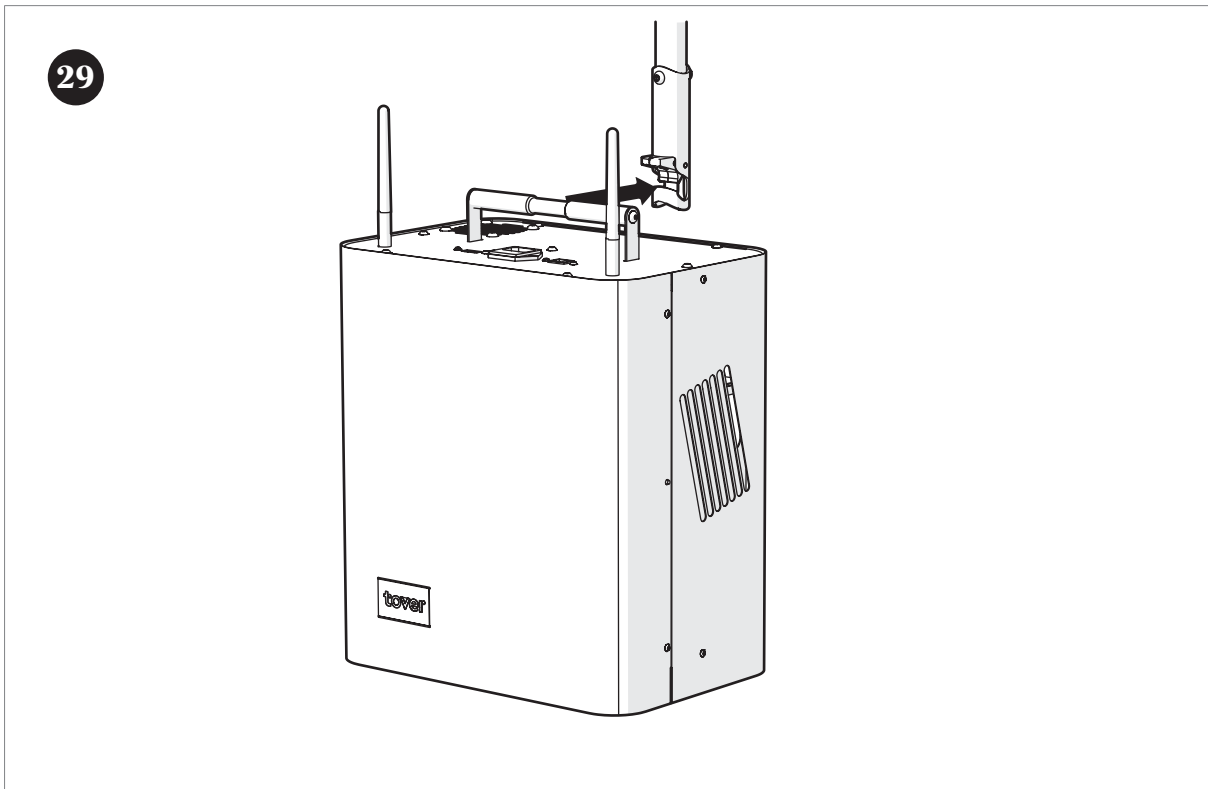


Step 27: Drill a hole in the ceiling panel with a hole saw size 2.0 inch / 50 mm.

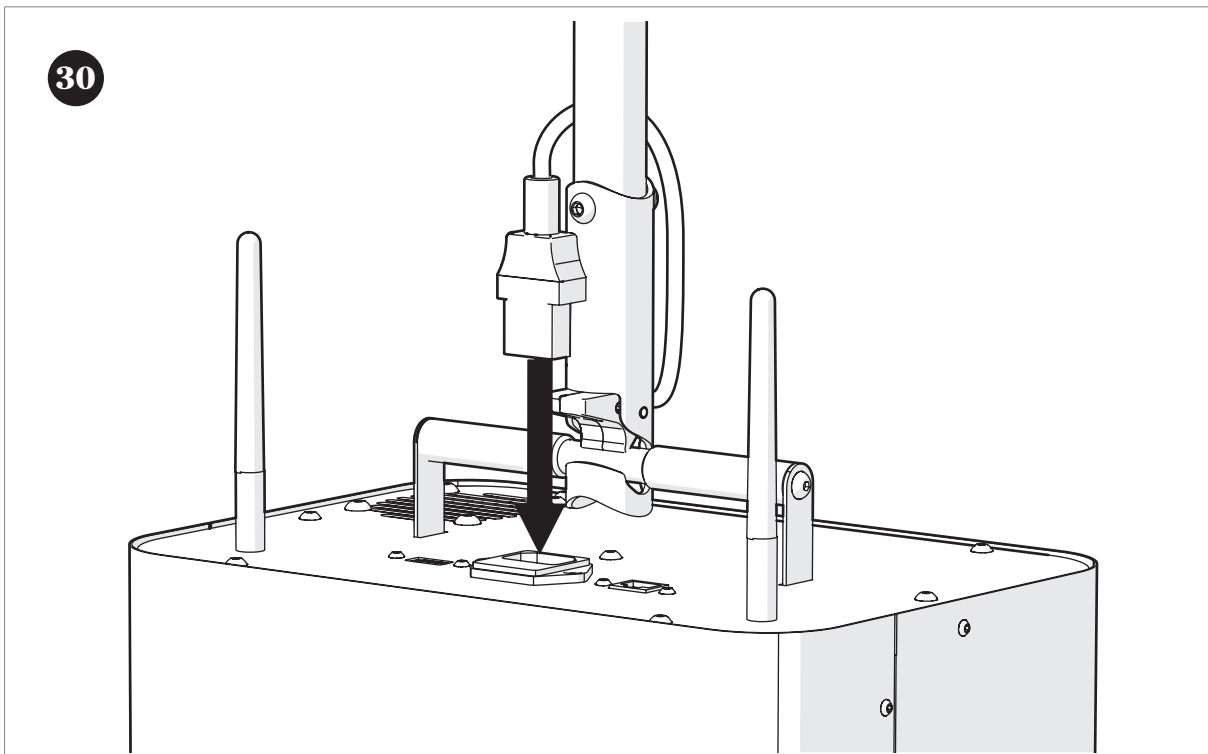


Step 28: Place the ceiling panel back in the suspended ceiling.

4.6. Preparing the Tovertafel for use

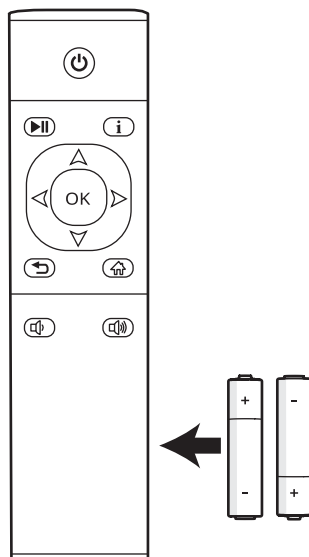


Step 29: Mount the handle of the Tovertafel on the hook. The safety lock is engaged.



Step 30: Insert the power cable into the Tovertafel.

31



Step 31: Place the batteries in the remote control.

⚠ WARNING

- Risk of fire and explosion. Only use batteries that meet the indicated specifications. Never replace a battery with a battery of the incorrect type.



Continue with the following chapters in the user manual:

For 'Turning on the Tovertafel', go to **Chapter 4.1 Turning on the Tovertafel.**

For 'adjusting the playing field', go to **Chapter 5.1 Adjusting the playing field.**

For 'calibrating', go to **Chapter 5.2 Sensor adjustment (calibration).**

For 'connecting to the Internet', go to **Chapter 5.3 Connecting to the Internet.**

For 'disconnecting', go to **Chapter 6.1 Removing the Tovertafel.**

5. Cleaning and maintenance

5.1. Cleaning

⚠ WARNING

- Risk of fire and electric shocks. Never expose the Tovertafel to water, rain, moisture or high humidity. Never immerse the product in water. Never touch the product with wet or damp hands.
- Ensure the Tovertafel is turned off, has cooled down and that the power cable has been removed from the product before you start cleaning.

NOTICE

- Before removing the plug from the power socket always turn the Tovertafel off first. If the device's software is not shut down correctly, it could cause the device to malfunction.
- Never clean the inside of the product. If you suspect that dust or other contamination has accumulated, please contact Tover B.V.'s customer service. (see Chapter 1.2. Assistance)

5.1.1. Cleaning the Tovertafel

- Clean the product carefully with a soft, clean, dry cloth or a slightly damp cloth. Prevent liquids from penetrating the Tovertafel and dry it immediately afterwards.

⚠ CAUTION

- Do not use any aggressive chemical cleaners or sprays to clean the Tovertafel.

5.1.2. Cleaning the lens

1. Clean the lens carefully with a soft, clean, dry cloth or compressed air spray.
2. If necessary, remove dust or marks with a cotton bud.

⚠ CAUTION

- Do not use any cleaning agents, polishes, abrasives, aggressive chemical cleaners, sprays or water to clean the lens of the Tovertafel.

5.2. Maintenance

The user may not repair or modify the Tovertafel. Use only the supplied power cable and other accessories. If the Tovertafel itself, the hanging system, the power cable, aerials, remote control or other separate components are damaged, please contact Tover B.V. (see Chapter 1.2. Assistance).

5.3. Storing the product

⚠ WARNING

- Risk of fire. Ensure the product is turned off and has cooled down before storing the Tovertafel.
- Risk of fire due to fluid leakage from cracked batteries. Always replace batteries on time. Avoid combining partially used batteries with unused ones in the remote control. If you are not going to use the remote control for a prolonged period, remove the batteries.

NOTICE

- Risk of damage to the Tovertafel. If you do not intend to use the Tovertafel for some time, turn it off using the remote control and the power switch on the bottom of the product. Lastly, remove the plug from the power socket, see User Manual Chapter 6.1 Removing the Tovertafel.
- Tover B.V. recommends storing the Tovertafel in its original packaging. Cover the ventilation grids properly to prevent dust accumulating in those openings. Store the product in a dry place out of direct sunlight.

6. Common problems



The majority of common problems are covered in the user manual.

For a complete overview of the most common problems and detailed support in video and text, go to

www.tover.care/manual

7. Legal information

NOTICE

- All brands and product names mentioned in this manual are registered trademarks and are the property of their respective owners.
- The texts and images in this Installation manual are copyright protected and vested in Tover B.V. and/or its licensors. No part of this manual may be reproduced or published without the prior written permission of Tover B.V. and/or its licensors, unless otherwise stipulated by law.
- The warranty provided by Tover B.V. for the product and under what conditions can be found on the enclosed warranty card or at www.tover.care/manual.

8. Disposal or recycling

Before returning, please contact

service@tover.care



Never dispose of the product with other household waste. Prevent possible damage to the environment or human health and recycle the product to promote the sustainable re-use of raw materials.

Return the product to Tover B.V., the manufacturer or another specialized recycling company.



tover[®]
purposeful play