

***HURRICANE PRO***  
**OWNER'S MANUAL**

## CONTENTS

Instructions	1
Warnings	2
Explanatory drawing of the overall bike configuration	3
Schematic diagram of the electric bicycle	4
Main technical parameters	5
Throttle control and gears	6
Operation stages	7
P.A.S. Control	9-10
Charging your battery	11
Battery mounting and removal	12
Front wheel installation and seat adjustment	13
Brakes	14
Pedas and tire adjustment	15
Chain	16
Commoun faults and maintenance	17
Troubleshooting	18
FAQ	19
Contact us	20

# Instructions

1. Please read the manual carefully before using your EMOJO electric bicycle.
2. Make sure all parts are locked tightly, such as the frame joint, handlebar, seat post and pedal, etc. before using. Do not use electric bicycle before carefully reading the instructions and knowing about the performance of the electric bicycle. Do not lend the electric bicycle to anyone who does not know how to operate it.
3. Develop a habit of charging when the power of the battery pack shows a red light. Please charge and maintain the battery pack consistently to have longer service; if the bicycle is not to be used for a long period, it is suggested to turn power of the battery pack to the OFF position and charge-discharge the battery once per month.
4. Frequent braking, starting, uphill, still starting, muddy and uneven ground, overloading of people and goods will assume larger electricity, thus influencing the travel mileage. If you want to get the best travel mileage, we suggest you follow the following instructions:  
Ride the bicycle to a certain speed by pedaling prior to turning on pedal-assist or throttle power.  
Try to decrease the frequency of braking and starting while maintaining safe riding habits.  
Please assist with pedal when the slope angle is steep, or the wind speed is fast.
5. When you lift the battery, please do not insert any metal objects (such as wires, keys, etc) into the charging socket or bridge the negative and positive poles of the battery cell. This can cause battery short-circuit, resulting in a fire and putting your safety at risk.
6. This e-bike is not intended to be ridden through water. When the water level inundates the controller, electrical circuitry or motor hub, it is possible that it will cause short circuit and damage the circuit, please pay attention to avoid burning down the electronic control system!
7. The standard load weight of this bike is 230 lbs. (including the cyclist), overloading may cause the travel mileage to decrease, or cause the spare parts of the bike damage and reduce working life of battery.
8. Warranty will be void if a non-approved battery charger or other non-original EMOJO spare parts are used.
9. Minors, pregnant women or anyone that does not have full dexterity of hands and legs should not use this product.
10. Please check the tightening state of front axle, bottom bracket shell, rear axle, etc. frequently in use.
11. Children younger than 14 should not ride the electric bicycle.

# Warnings

Please pay attention to the following items for your safety:

Disassembling and refitting the bicycle may bring hidden safety hazards to your electric bike, therefore, causing risk.	Mak sure to check the set up and stability of the brakes, saddle, frame, handlebar, wheels , etc. before riding to make sure all is in proper working condition.
Downhill speeding should be moderate, please do not apply the front brake fully when slamming the brakes at high speed to avoid the front wheel to lock and losing control.	Avoid climbing sharp objects like stairs or rocks which can damage the tires and wheels.
The brakes should not be oiled to avoid causing iffy braking and endangering your personal safety.	Do not attach any objects to the handlebar that may obstruct your vision or handling.
Wear the appropriate protecting apparel when riding under the rain. Never use an umbrella and/or operate the bicycle with one handl.	This bicycle is for a single rider, not intended to carry any passengers. Always wear a helmet.

## Battery warnings

Do not keep, approach or store the battery near high heat sources. Avoid areas near flammable or explosive liquids or gas.	Do not attempt to short-circuit the battery electrodes, which can damage the battery, the bicycle controller and the charger.
Do not disassemble the battery case, do not attempt to make any modifications or external conections. You will lose your warranty.	Do not drop the battery, do not immerse in water and keep it away from high-humidity areas.

## Battery warnings

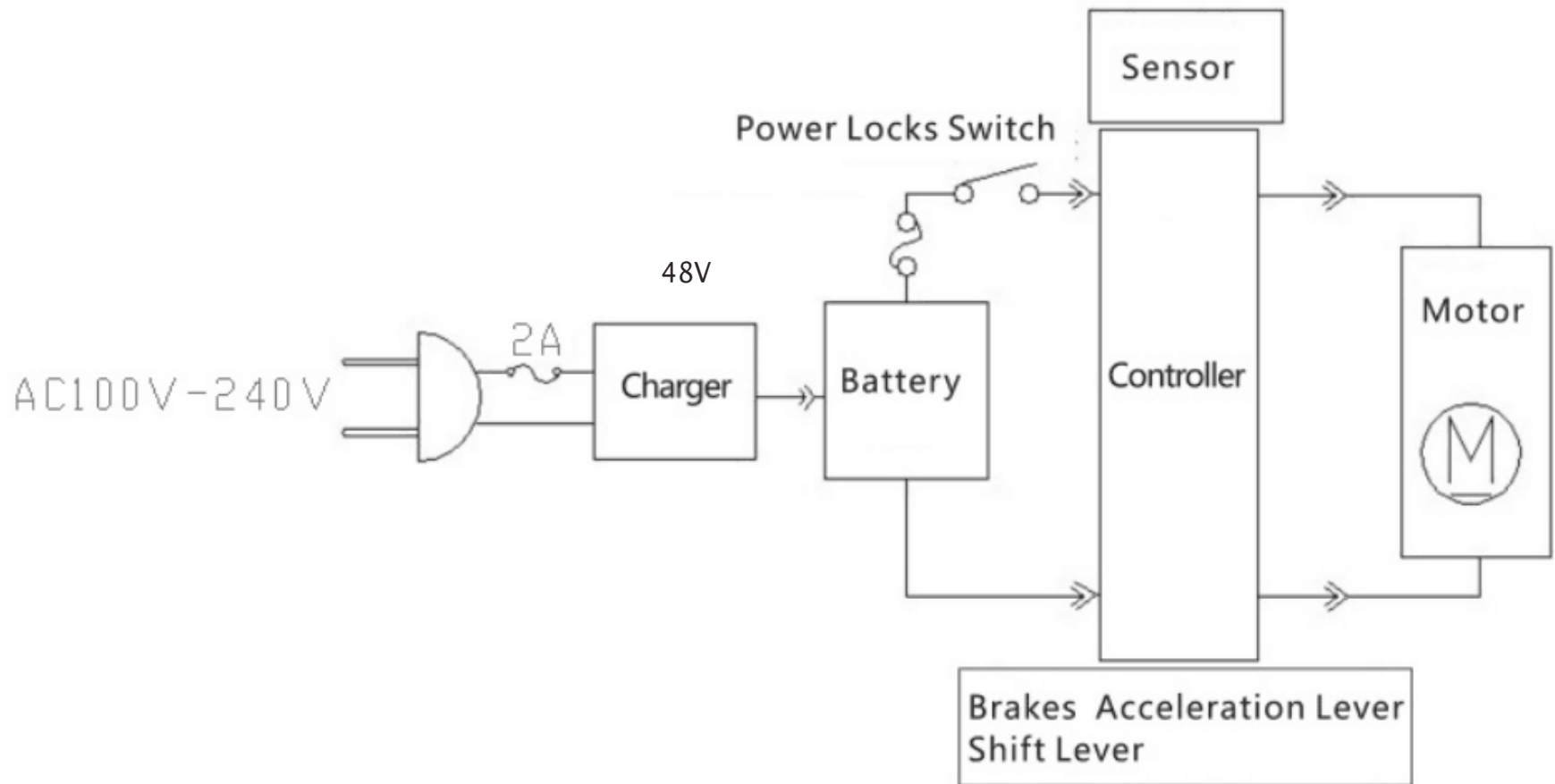
Do not tamper or disassemble the charger. Avoid violent dropping or smashing it.	Charge your battery in a well ventilated area, free of humidity and far from flammable or explosive objects.
Always keep your hands dry while plugging and unplugging the power plug and when handling the battery.	While charging, there should be no foreign objects on the charger or the battery shell.
The battery is not a toy, keep children away.	Avoid contact between eh conductive objects and the battery poles at the same time to avoid short-circuit and damaging the battery.

# Overall Bike Layout



Actual product may slightly differ from this picture

## Diagram of the Electric Bicycle:



## Main Technical Parameters

Item		Index	
Total Weight lbs.		60	
Load weight (including the Weight of Cyclist) lbs.		230	
Travel Mileage on a single Charge Miles w/pedal		Winter::::20	Summer::::25
assist Power Consumption on a single Charge			
(kilowatt) Power Consumption per Kilometer		<0.6	
(kilowatt) Battery	Type	<1.2	
	Voltage / Capacity	Lithium Ion Battery	
Motor	Motor Type	48v 10.4 Ah	
	Rated Output Power	Permanent Magnet DC Hi-Speed Motor 500W	
	Rated Voltage	48V	
Protection	Under-voltage	30.5V±0.5V/41.5 V±0.5V	
	Controller	15A±IA/17A±IA	
Charger	Over-current Protection Model	48V 2A	
	Duration of Charge	Six to Eight Hours (Instant Charge two to four Hours)	
	Main Appliance Input Voltage	AC110-220±10%50HZ	
	Main Appliance Output voltage	42±0.2V/54. 6±0.2V	
	Charging Current	2.0±0.2A	

# Hand Throttle Control

Your electric bike is equipped with a power and throttle control on the right hand side. To power on your bike first make sure to turn on your bike by pressing and holding the M button on the left side.

You control the throttle by pushing with your thumb the paddle, the farther you push from its resting position, the more power is delivered to the motor to accelerate. When you want to slow down, you simply release the throttle and let it return to its resting position and simultaneously apply the brakes.

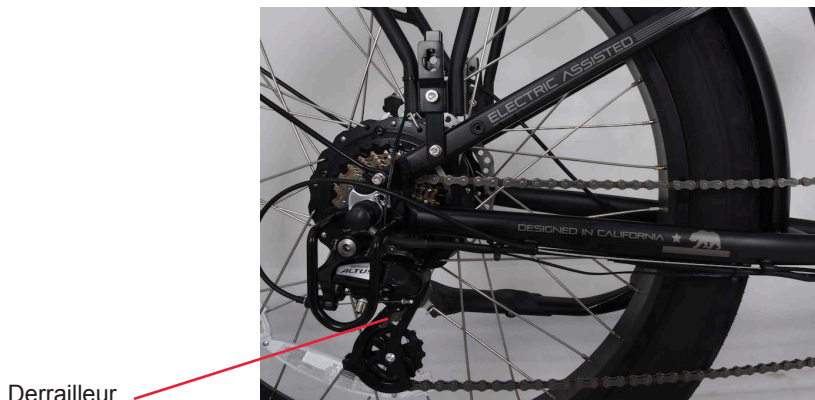


When the pedal assist mode is set to "0", the pedal assist and throttle function(s) do not engage. When the pedal assist mode is set to "5" the pedal assist function will engage to the maximum speed and the throttle will accelerate the bike forward. The throttle control is operated on the right hand side. You control the throttle by twisting it from its resting position. The farther the throttle switch is from its resting position, the more power is delivered to the motor to accelerate e-bike. When you want to slow down, you simply release the throttle and let it return to its resting position and simultaneously apply the brakes.

# Gears

This EMOJO electric bike is equipped with 7 mechanical gears in addition to the pedal assist levels. The first gear is for easier and uphill pedaling, the last gear is for maximum speed on leveled or downhills. Change gears only when pedaling. The rear wheel contains seven chain sprockets. When the chain is around the largest sprocket, you are in the 1st gear which is the "lowest" gear. The high gear will have the dérailleur positioned so that the chain is directed around the smallest gear selector and cause it to change gear. Adjustments require fine tuning and should be made by a qualified technician.

Avoid changing gears rapidly from 1st to the 7th gear or vice-versa. If you change multiple gears too quickly, you could have the chain come off the front sprocket.



Derrailleur



7-gears cassette



## Correct Operation Stages

### ! Warning:

"For your safety, please practice in a closed track the first time you ride your ebike". After mastering the controls of an electric bicycle, you may ride on regular roads and follow the traffic rules consciously. Do not let inexperienced people ride the electric bicycle, do not disassemble and refit the electric bicycle. please pay attention and brake in advance to allow longer braking distance in rainy or snowy weather.

### Operation Stages:

**Start:** Press and hold the M button on the left handlebar controls.

### Motor On/Pedal Assist

Start pedaling and the electric bicycle will drive forward normally. If you stop pedaling, the electric motor will stop working, but it will still drive forward a short distance because of inertia.

You can adjust the level of electrical assistance by toggling the up and down arrows. There are 5 levels of electrical assistance, level 5 being the highest.

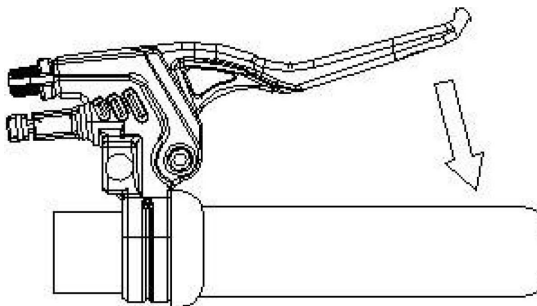


### B: Throttle only

You can use the thumb throttle only and the bicycle will move without you having to pedal. Click the M button on the handlebar control to turn on the system, with your right thumb press down the throttle, the further you push the throttle the faster it accelerates. To stop or reduce the speed release the throttle and apply the brakes the electric motor will stop working, but it will still drive forward a short distance because of inertia.

**Note:** A: For your safety concern, please hold the grip tightly with both hands while riding, and please brake in a timely manner when necessary.

B: This bicycle has the function of brake power cut. The brakes will cut off the motor power to ensure safety of riding. Always check your brakes and cables before riding.



Pull to brake. Brake sensor will shut off motor power.

# Pedal Assist Mode Control

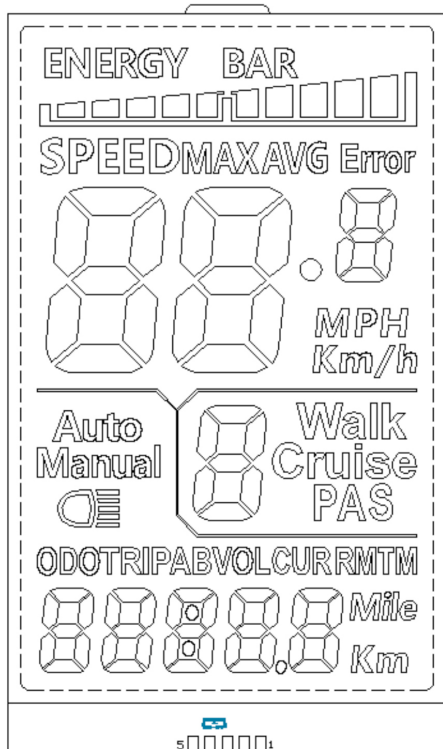
Please read the following steps and images to help you understand how to read and operate all the functions.

## ◆ Display Interface

After switching on the E-bike system, the display shows current speed and total distance except, battery indicator and assistance level

◆ To change the indicated information, press the MODE button to show in turn as follows: Current Speed (Km/h) → Trip Distance (Km) Trip Time (Hour) → Max. Speed (Km/h) → Avg. Speed (Km/h) → Motor-output (W) → Current Speed (Km/h).

◆ Switching PAS Off: There is a preset setting which allows your bike to cruise at a steady speed of 3.7 MPH (6Km/h), the letter "P" is shown at the screen. To engage this cruise control feature press and hold the "-" button for a few seconds until the letter "P" shows on the screen. To disengage this function press the brakes.



## ◆ Manual Clearance Function

Among of all functions, Trip Distance, Trip Time, Max. Speed and Avg. Speed, can only be cleared manually. If the above functions need to be cleared, After switching on the E-bike system and parking the E-bike, please to hold the **MODE** button and the **DOWN** button for 2 s, the above functions can be cleared at the same time.

Press the power button (M button) on the handlebar controls located near the left grip to turn it on.

You can adjust the pedal assist power level to have more power by hitting the [+] button (right button) and can move to a lower level power by hitting the [-] button (left button).

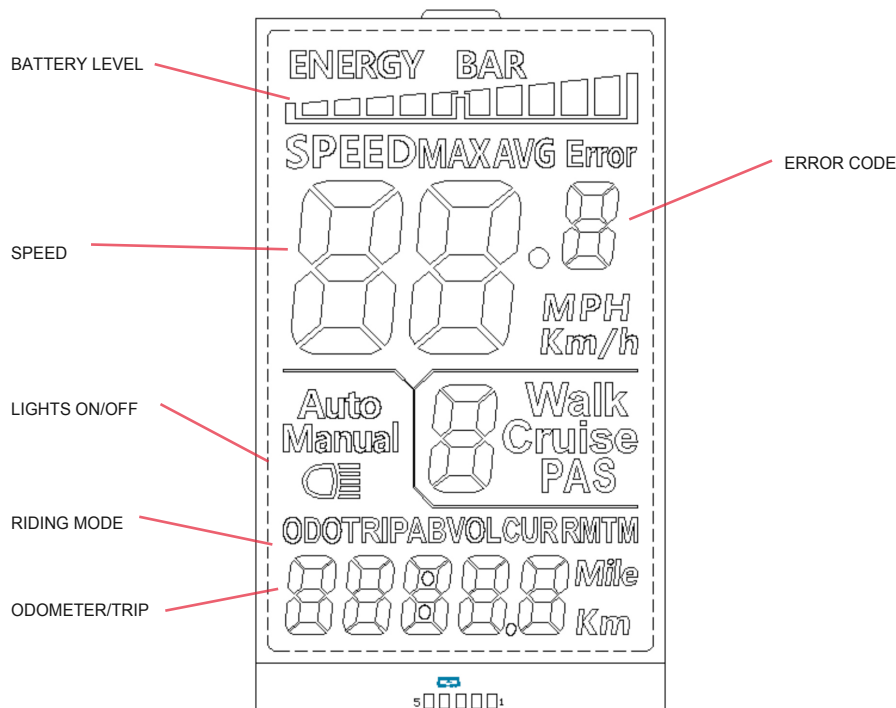
When not riding your bike, you can turn off the meter by holding down the power button (M button) for several seconds.

# Pedal Assist Mode LCD Screen

The LCD meter monitors pedal assist, speed, odometer, trip distance, riding time, and battery energy level. To turn the meter on, make sure the battery is fully inserted into the bike.

Press the power button (M button) on the two button selector located near the left grip on the handlebars to turn the meter on. You can adjust the pedal assist power level to have more power by hitting the [+] button (first button top to bottom) and can move to a lower level power by hitting the [-] button (third button top to bottom).

When not riding the bike, you can turn off the meter by holding down the power button (M button) for several seconds.



## Free Ride

Pedal just like a normal bicycle with all the display features active.

## Throttle Only

Full power on demand. No automatic pedal assistance.

# Display functions

## 1-Power On/Off

Press the M button to power on the display. To power off display and power supply to the bicycle press and hold for 3 seconds

## 2-Pedal assist (PAS)

The system has 5 PAS assistance modes, use the + - buttons to scroll between modes

## 3-Riding Modes

Walk: Walking boost, Cruise: Constant speed cruise, PAS: Pedal assist levels.

## 4-Multi function display

Press the M button once to switch between Total Mileage: ODO, Single Mileage: TRIP A, Single Mileage: TRIP B, current Voltage VOL, operating Current: CUR, Display Booting Time: TM, **Riding Time**. The riding time will be saved up to 100 hours unless you reset it

## 5-Battery Level Indicator (Energy bar)

Indicates battery level, there are 5 levels, each segment stands for 20% charge

## 7-Speed Indicator

Shows the speed either in MPH or KM/h

## 8-PAS Level

Indicates the level of motor assistance. Use the + - buttons to switch between PAS levels

**9-Lights:** Turn your display ON, then press and hold the UP arrow for a few seconds to turn on the lights. To turn them off press and hold again the UP arrow.

## Error codes

In the event of a system malfunction the screen will display an error code. You can troubleshoot the problem by identifying the code from the following chart.

Error Code	Definition
0	Normal system
1	Reserved, no function
2	Brake sensor error
3	PAS sensor failure
4	6 km/h capped top speed
5	Real time cruising
6	Low battery
7	Electric motor failure
8	Throttle failure
9	Controller failure
10	Communication-receiving error
11	Communication-sending error
12	BMS communication error
13	LED light failure

## End user adjustable settings

The display allows for a series of adjustments on the settings, however some are reserved exclusively for the use of a certified technician of the manufacturer. For those others within reach of the end user please follow the below list of settings.

To enter the program mode, press and hold the UP and DOWN arrows for a few seconds. Use the M button to navigate through the settings and up and down to change settings in each program. The settings will automatically save if you leave the display to go back to the home screen:

**P01:** Back-light Brightness (1: darkest; 3: brightest)

**P02:** Mileage Unit (0: KM; 1: MILE)

**P04:** Display sleep time (0: never, other figures refer to the sleep time) Unit: minute

**P08:** Speed Limit

Range: 0-100km/h, parameter 100 indicates no speed limit.

This parameter limits the max. speed of the vehicle.

For example, input value 25 means the max. speed is 25km/h, the vehicle traveling speed can only reach the preset value. Deviation:  $\pm 1$ km/h (applies to both PAS and throttle mode).

Note: The above-mentioned values are measured by metric unit (kilometers). When the measuring unit is switched to imperial unit (mile), the speed value displayed on the panel will be automatically switched to corresponding imperial unit, however the speed limit value in the imperial unit interface won't change accordingly.

**P16:** ODO Zero-Out: Long press the upper key for 5 seconds and ODO will zero out.

## Charging Methods and Steps

1. Always charge the battery fully for the first time. When the battery level is low plug it to charge it, use only the original charger provided with the battery.



Slide open the protective hatch to access the charging port on the right side

2. Insert the charging pin of the charger into the battery charging plug; pay attention to the direction of the pins, do not insert any other foreign objects or dismantle

3. Connect the power plug of charger into a household AC power outlet. Please do not insert the plug into the AC around water or with wet hands, avoid causing electric shock hazards.

4. Please check the charger indicator. When the LED indicator on the charger is red, it indicates the battery is charging, when the indicator is green, it indicates charging completed.



5. After charging completes, please pull out the charger power plug from the household AC and disconnect the plug from the battery

**Attention:**

1. Make sure the charger is the original charger.
2. All charging plugs must be inserted tightly.
3. The average charging time of the whole battery pack is 5 hours, please operate in strict accordance with above instructions and keep charger away from children.
4. Please do not charge under the rain or in wet environments.



## Battery mounting and removal

### I. installing the Battery

Your EMOJO bike comes with the battery installed and integrated into the main frame. You will seldom need to remove the battery, but shall you need to remove it for replacement or to perform a deeper cleaning on your ebike you can easily remove it:

Park the electric bicycle, unlock the battery switch until the key cylinder in the battery front section is free, hold the battery on the front side with one hand and gently pull it out. Do not let the battery drop to the floor.

Turn the key to lock or unlock the battery.

Hold the battery as you pull it out.



 **Warning!**

Note: While installing and removing, do not use extreme force to avoid damaging the battery pack and other components.

## Front wheel installation

Read the instructions carefully to identify and understand the components of the electric bicycle such as pedal, seat post etc. and the name of relevant spare parts. When specialized servicing of bike is required, please go to an authorized repair shop or store or another trusted bike professional.

### 1. Assembly of the front wheel unit:

**Your ebike has a quick-release front wheel mechanism.** Identify the nuts and the lock washers necessary for the front axle assembly.

Identify the hardware necessary to assemble the front wheel unit onto the front fork (Fig. A).

Insert the axle thru the fork starting from the right side (Fig. B opposite to the disc brake), add the washers and nuts on the left side and tighten the nut. Attention: when assembling, make sure the disc brake and the brake caliper are on the same side (left side), the disc brake must slide into the gap between the two brake pads of the disc brake caliper, make sure the wheel turns freely and does not rub against the brake pads when the front brake is not been pressed.

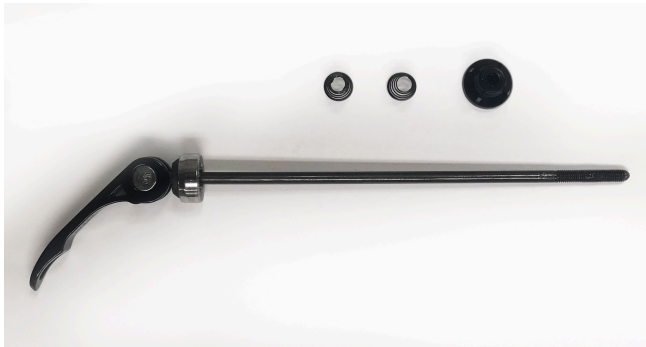
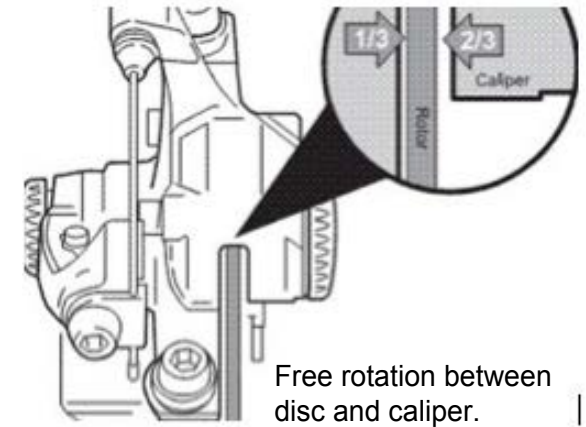


Fig A.



Fig B.

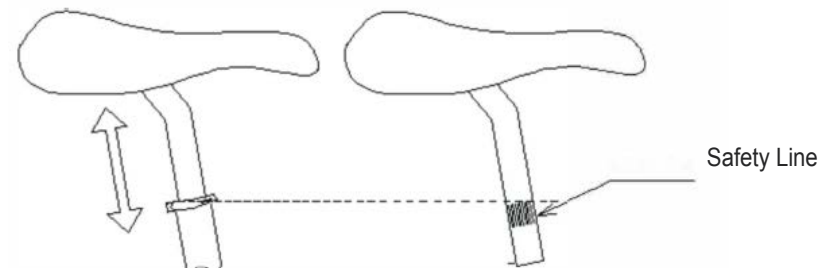


### 2 Front wheel quick release:

You can easily remove the front wheel of your bicycle to facilitate transportation or storage, use the quick release lever to loosen the front wheel and remove. **IMPORTANT:** Always make sure your quick release lever is fully tight once putting the wheel back on and before riding.

### 3. Adjustment of Saddle:

Adjust the saddle to the proper height. Using the socket hand wrench, lock the fixed screws on the seat post and clamp tightly. Please note that when adjusting the height of the standpipe and seat post, it has to keep the inserting depth above the safety line.



# Disc Brakes



Your electric bike is equipped with disc brakes for maximum reliability. Applying hand pressure to the brake levers will engage the brake pads against the brake rotor, creating friction and slowing down the wheel. The more hand pressure applied to the brake lever, the faster the bike will come to a stop. Check the front disc handle gap by depressing the brake lever about 10 times to check that everything is operating correctly (Fig. 1) If necessary you can adjust the brake by turning the dial on cable (shown with a red arrow). Your front wheel must spin free at all times without any friction from the brake when not applied.

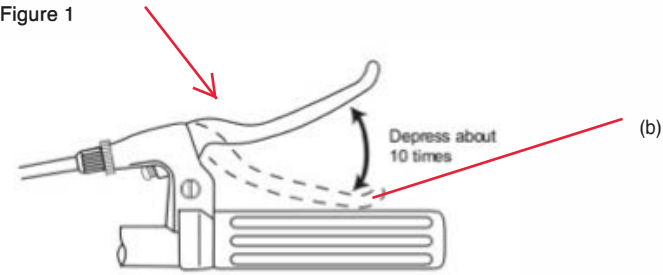
The rear brake should always be applied before or along with the front brake. Applying only the front brake to slow or stop at high speeds may result in the rider being ejected from the saddle and continuing forward over the handlebars. It is best to apply even pressure to both brake levers when slowing or stopping.

Bicycles equipped with disc brakes will occasionally make a slight scraping noise when the wheels are turning without the brakes being applied. This is normal.

Make sure that the brake lever does not contact the handlebar when full hand pressure is applied (b) The contact point should feel firm and solid. If the lever travels all the way to the handlebar or feels spongy, they may require service by a qualified bicycle technician.

If the brakes are still not operating correctly, they may require further adjustment by an experienced bicycle mechanic.

Figure 1



## WARNING:

- Disc brake rotors become hot during use. Do not touch or come in contact with the disc rotor shortly after use.
- Wet weather will require a longer distance to stop. Brake earlier and avoid sudden stops when riding in wet conditions.

## New Brakes Bed-in Procedure

New brakes will require a "bed-in" procedure prior to your first ride which will ensure the most consistent and powerful braking feel.

Find a safe riding area that will allow for moderate speed. Remain seated during the entire procedure for optimal results.

**IMPORTANT:**The caliper might need to be adjusted and aligned to ensure there is no constant friction when the brake is not applied avoiding unpleasant noises, premature wear or poor braking. If necessary, adjust your calipers by loosening the sockethead bolts, and gently moving the caliper with your hand until is centered and aligned with the disc. While holding with your hand the caliper in the correct position, tighten the adjustment bolts again.



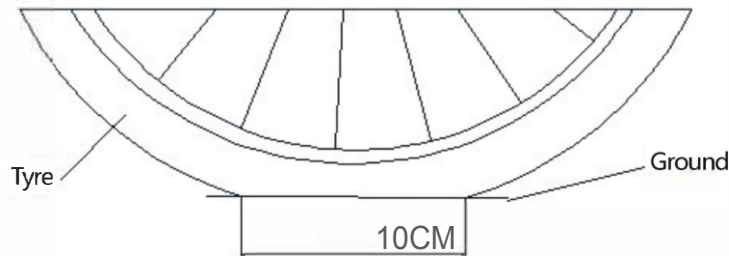


#### 4. Pedal Installation and Adjustment:

Take out pedals from the accessory box, install one of the pedals (pedals are marked with the letters "L" and "R" to indicate the side they belong to). When installing the pedals, insert the wrench stuck on the flat end of pedal axial head, and twist into the crank in clockwise direction.

#### 5. Check and Adjustment of Tire Pressure

Keep proper air pressure, the space between tire and ground contact is about 10 centimeters long when riding on the electric bicycle.



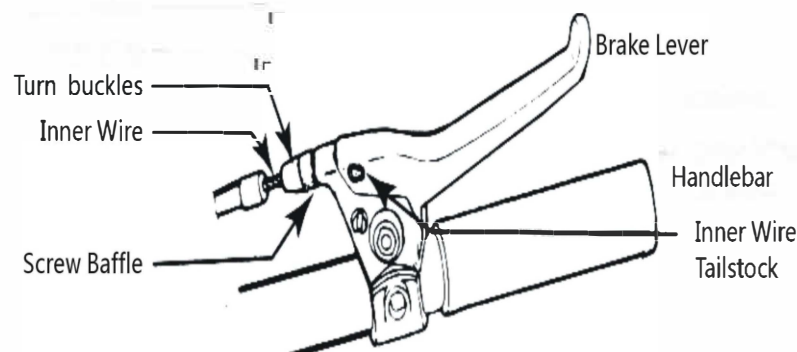
Tire size: 26 x 4.0  
Tube size: 26 x 4.0

The Standard Tire Pressure: **30 PSI**

#### 6. Brake Adjustment

A. When brake lever reaches 1/3 of unstressed state, the power will be cut out completely, when it is at 1/2, bike can brake completely.

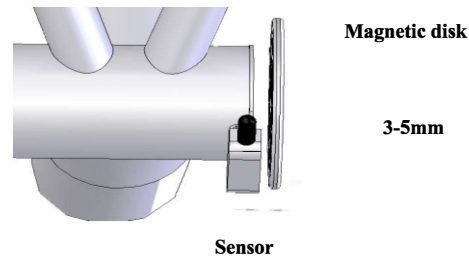
B. The distance between brake pad of front wheel and rim should not be more than 2mm, when the brake pads wear down, timely adjustment is possible, after adjustment, the brake pad should not interfere with other spare parts. When a worn brake pad reaches 1/2 of its thickness, it must be replaced.



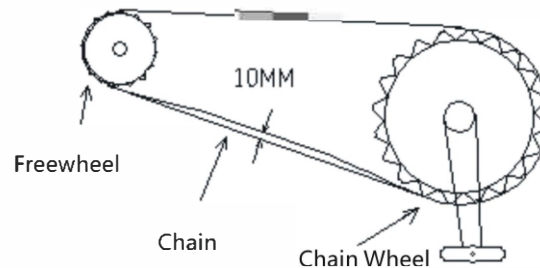
### 7. Adjustment of Power Assisting Hall Sensor

A: Turn the bike upside down, have it rest on the floor.

I: The distance between the sensor and the disk shall be 3-5 millimeters  
Installing the sensor on the side of chain ring, when forwarding the chain ring, the power assistance is effective.



**8. The Adjustment of Chain Tension** The over relaxation of the check and adjust regularly. The chain would cause chain failing thus threatening safety or damaging the motor. It is suggested to adjustment requirements: in case of single constant speed, when fixed gear, press the chain with hand, the range of the tension is within 10mm from horizontal line.



## Common Faults and Maintenance

Common Faults	Troubleshooting
Power on, there is no indicator on meter: Push thumb throttle, the motor does not work:	Check the battery power, if battery is low, it is possible that the power will fail, or some blown fuses of the controller are burned out.
	Check whether the speed controlling wire of left brake levers fail, and whether the connector of the controller or motor fails.
Motor kicks in, but speed is low	Check whether the brake is locked, the tightness of chain is proper; the air pressure of tire is proper; check whether the battery power is full, if not, please charge the battery.
Short Mileage	If the battery has not been in use for a long time, please recharge the battery in advance. Check whether the brake rubs against the rim because of tightness, and whether the tire pressure is full. Check whether the battery is full, if not, please recharge it.
Abnormal Noise of the Bike	Check for all screws and bolts to be properly tightened.

<b>Battery Not Charging</b>	<b>Check the charger and power. Check whether the battery connection is in good condition and is stable. Check whether the charger plugs board fails. Check for any blown fuses in the battery case or any disconnected wiring.</b>
-----------------------------	---

**Note: if you experience problems contact your retailer, dealer or the manufacturer.**

### Regular maintenance table

I: Inspection A. Adjust R: Replace L: Lubrication T: Tight lock			
Items to be Inspected	60 days	180 days	360 days
1. If the steering of handlebar loosens or wears down	A, T	I, L2	I, L2
2. If pedal, axis loosens or wears down	T	I, LI	I, LI
3. If the tire inflation is proper and the cover tire wears down		I	R
4. If anterior- posterior axis shift, axis bowl, hub spindle loosens or wears down	T A, LI	I, L2 A, LI	I, L2 I, LI
5. If middle axis bowl, hub spindle, axle cap loosens or wears down	A, L2	A, L2	I, L2
6. If the chain is loose		R	R
7. If the brake shoe wears down		I	I
8. If the wheel rim deflects or deforms		I	I
9. If the frame and front fork deform or are damaged		I	I
10. If spokes break down or becomes loose	I	I	I
11. If the brake operates smoothly	A	A	A
12. If brake lever is at its proper position		I	I
13. If the reflector is dirty or damaged		I	I
14. If the horn is loud or the front light is bright			I
15. If the charger plug and power line wears down or breaks off	A	A	A
16. If the height of saddle and handlebar is proper			
17. All screws positions are tight	I	I, T	T

**Note: LI- recommends using No.68 IIL hydraulic Lubricant L2- recommends using No2. Calcium-based Grease.**

# Power Shut Off Troubleshooting

If your electric bicycle experiences a sudden power shut off while in use, this can be related to several reasons but the problem has an easy fix.

## PROBLEM

The LCD starts to blink repeatedly followed by a power shut off. (Make sure the battery is not depleted)

1-Check the motor quick connector on the right side by the tail of the frame. Fig. 1

Fig. 1



If the battery is not depleted and the quick connector cable is all in place, contact your shop or EMOJO tech support: [info@emojobike.com](mailto:info@emojobike.com).

## Register your ebike

To activate your warranty please register your ebike online.

You can scan with your phone this QR code and fill in the information, it takes 2 minutes!



# Electric Bike FAQs

## Q. How long does it take to fully charge the battery?

A. Depends on the state of discharge but around 4-5 hours if completely discharged.

## Q. What are the running costs for an EMOJO electric bike?

A. You will have no worries about rising fuel prices at the pumps. All our electrically powered vehicles use household electricity. The average cost per full charge is about 10 cents per charge. If you charge the battery every single day for a year, it would cost you about \$35 per year.

## Q. Can I ride up hills and against strong headwinds on my electric bike?

A. Yes. One of the main advantages of cycling on an electric bicycle is that it literally flattens hills and increases your average speed when tackling inclines and headwinds. If you provide a reasonable amount of effort, you should be able to tackle anything from a 1 in 10 (10%) gradient up to a 1 in 7 (14%) gradient. Pedaling along with the motor is strongly advised to avoid overheating of the motor and to extend the battery life.

## Q. Do I need a driver's license, insurance or registration?

A. No, you don't. According to Federal law, electric bikes that are under 750 watts are classified as bicycles. For all intents and purposes, it's simply a bicycle that requires very little pedaling to travel 20 MPH (32 Km/H), saving you time and hassle. Check your local state laws for requirements.

## Q. Do I need to pedal an electric bike?

A. No, but it helps to prolong battery life. The motor on our bikes is both throttle and pedal assist controlled, allowing you to decide how much power you desire. Have you ever tried to cycle when speeding downhill on your normal bicycle? It's just like that. The motor is propelling you faster than you're cycling so there is pretty much no resistance, it's merely a formality!

## Q. What happens if I get a flat tire?

A. The tires on our bikes are the same as conventional bicycles. Simply replace the tube with a tube of the right size and inflate it. No special tires or parts will be needed.

## Q. What happens when I use the brakes under powered assistance?

A. All our bikes are equipped with brake levers that have a built-in safety switch that automatically cuts off the motor power under normal braking conditions. This not only ensures a safe un-powered stopping feature, but also protects the motor under braking conditions so that it isn't working against the brakes.

## Q. How far will the bike take me?

A. This all depends on a few factors. Cycling with pedal assist along a straight road under normal conditions, the standard battery should last about 30 miles (50 kilometers). Cycling up steep hills will obviously take more energy out of the battery and factors such as road surface, wind resistance, weight of the rider and tire pressure will affect your range. The range with throttle only lasts about 20 miles (35 km)

## Q. How do I know when the battery is low?

A. The bicycles have easily visible indicators located on the meters that show the amount of juice left. If it is getting low and you don't think you will make it to your destination, you can switch off your motor and keep it just for the difficult bits.

## Q. Do I have to wait for the battery to empty before I charge it?

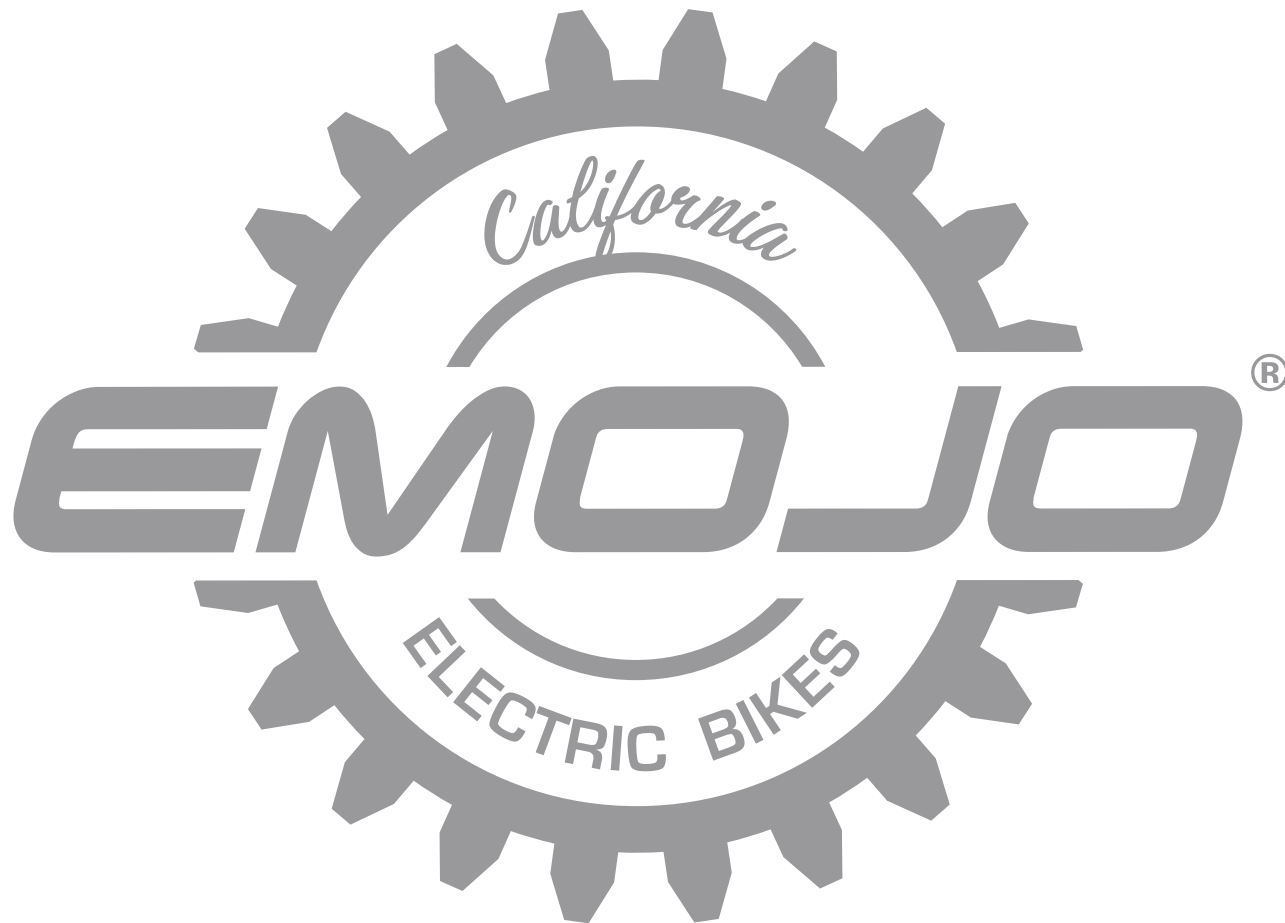
A. No. The batteries we use are Lithium-ion batteries which do not suffer from 'memory effect'. This means that there is no need to discharge a battery completely before you recharge it again. You can partially recharge the battery at any time without reducing its voltage or lifespan. We recommend recharging the battery after every use, regardless of how far you rode.

## Q. Can I put a child's trailer?


A. Yes, you can certainly add a trailer to your bike. We suggest contacting your local dealer for approved trailers.


## Q. Can I put the electric bike on a bike rack?


A. Yes, just make sure that the bike rack can hold the weight of the bike. We advise taking the battery off to make it easier to lift and to keep the battery safe.



At EMOJO we are committed to the consumers and the experience first, put a smile on the face of each of EMOJO rider and revive childhood memories when riding a bike meant freedom regardless of your age or gender, life doesn't stop and neither should you, that's why we say: "RIDE LIFE"  
Should you have any comments, questions or just want to say hi, feel free to throw us an email or give us a call:

 15375 Barranca Parkway  
Suite F 108  
Irvine, CA 92618 USA

 949.878.1518

 [info@emojobike.com](mailto:info@emojobike.com)  
[support@emojobike.com](mailto:support@emojobike.com)

 [emojobike.com](http://emojobike.com)