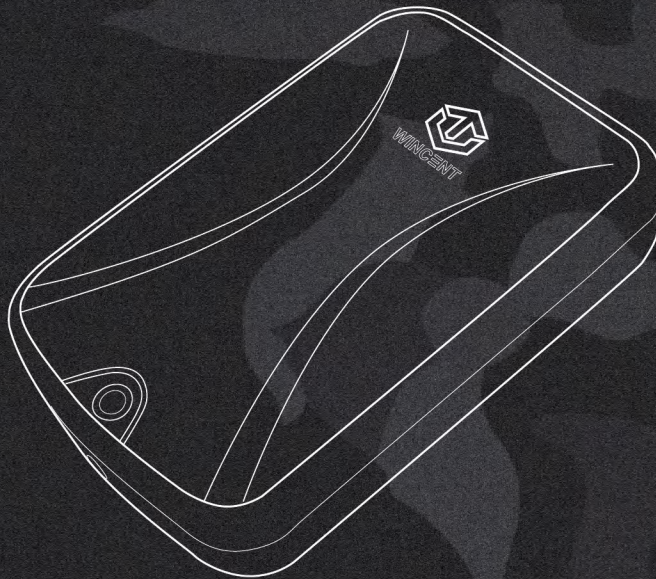




WINCEN T



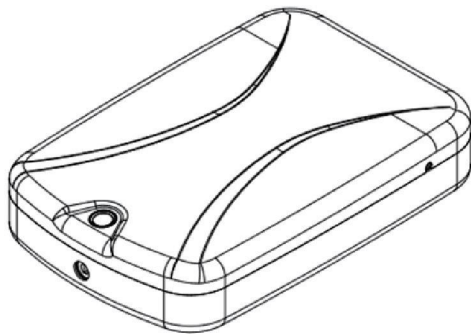
**BIOMETRIC GUN SAFE
INSTRUCTION**



| CONTENT

| | |
|--|----|
| • Product Components | 1 |
| • Safety Precautions | 2 |
| • DISCLAIMER | 2 |
| • Install The Battery | 3 |
| • Program The Fingerprints | 4 |
| • Fingerprint Scanning Directions | 5 |
| • Fingerprint Notes | 6 |
| • Operation | 7 |
| • Delete the Registered Fingerprint | 7 |
| • Security Alarm | 7 |
| • Silent Mode Setting | 7 |
| • Securing The Safe | 8 |
| • Using the Security Cable | 8 |
| • Securing the Safe on Floor or Wall | 9 |
| • More Functions | 10 |
| • Low Battery Warning | 10 |
| • Interior LED Light | 10 |
| • Customer Support/Warranty | 10 |

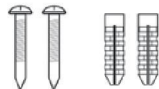
| Product Components



————— Instruction × 1 copy



————— Override Key × 2 pcs



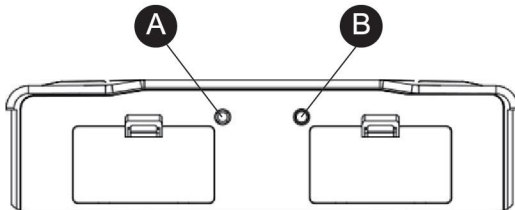
————— Concrete Screws × 2 pcs
Plastic Expanding Sleeve × 2 pcs



————— 1.5V AAA Battery × 4 pcs



————— Security Cable × 1 pc



————— A. Interior LED Light

————— B. Reset Button

| Safety Precautions

Please read all instructions carefully. Remind all WINCENT users of the safety precautions.

Read the following instructions for your own safety

Do not attempt to disassemble the smart safe by yourself. It can cause product damage, void warranty, and cause injuries.

Do not use any inappropriate tools that can cause damages or malfunction to your lock.

Always make sure the door is securely closed and locked when you leave to prevent unwanted entry.

Check your settings regularly to ensure fingerprint have not been changed without your knowledge.

Always dispose of used batteries according to your local laws. **DO NOT BURN.**

| DISCLAIMER

Neither seller nor manufacturer shall be liable for unauthorized access, any injury, loss or damage to personal property direct or consequential, arising out of the use of, or the inability to use the WINCENT Safe.

The user shall determine the suitability of the WINCENT Safe before the intended use and user assumes all risk and liability whatsoever in connection therewith, WINCENT safe are not intended to protect against environmental hazards including fire and water.

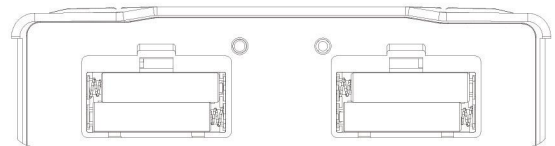
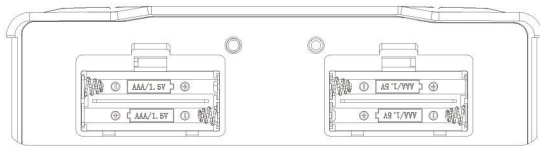
Be sure and follow all local and state firearm laws.

DO NOT operate a firearm without proper training and experience.

| Install The Battery

Under normal use, the WINCENT battery will last up to half a year. Please check battery levels regularly and change your batteries when the low battery notification is issued. For best practice, always use new batteries.

1. To get started, Please insert one of the override into the keyhole at the front of the safe to open it.
2. Open the safe compartment cover, Insert four (4) new AAA batteries as shown.
3. When the batteries are inserted correctly you will hear a short beep once and the panel will light up for 15 seconds.
4. Once you hear the beep, place the battery cover, now your are ready to set up your safe.



Attentions:

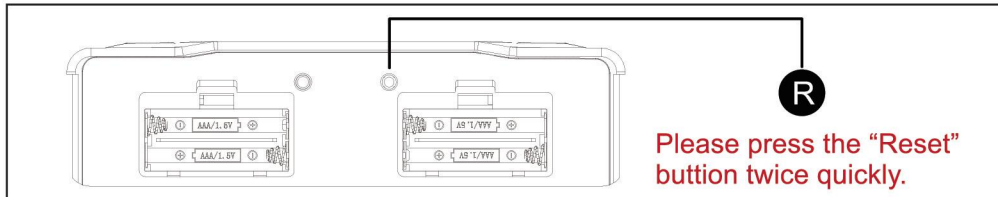
Make sure the batteries are oriented correctly.
Replacing the batteries does not reset the stored fingerprint.

| Program The Fingerprints

To register your fingerprint, please locate the “Reset” button.

1. With the safe open, press the reset button twice quickly, then the backlight will light up with a beep, which means the safe enter into the fingerprint setting mode.
2. Put your finger on the biometric scanner, and then remove your finger until the blue scanner light flashes once with one beep. Place your same finger again over the scanner until light flashes once with a beep. Repeat this process for the third time until the blue scanner lights up twice with 2 beeps.
3. Now your fingerprint has been registered successfully. Close the door and test it to see if the safe will open using your registered fingerprint. If it is failed, the red backlight will flash 3 times with 3 beeps. You must repeat the above steps.

Notice: You cannot register more than 50 fingerprints or the red light will flash, which means the fingerprint storage capacity is full.

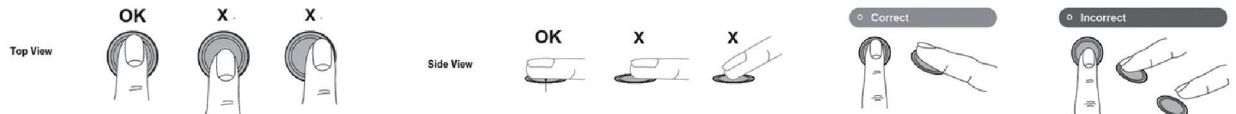


| Fingerprint Scanning Directions

The fingerprint sensor equipped in WINCENT is loaded with powerful fingerprint algorithms to extract quality features from fingers, even in poor conditions. Placing your finger on the sensor correctly helps consistency in fingerprint recognition. The following directions and tips will guide you on how to scan an optical fingerprint image.

Fingerprint Scanning Tips & Troubleshoot: Tips for Fingerprint Enrollment and Recognition

1. Place your finger to completely cover the sensor with maximum contact surface.
2. Put the center of your finger (core) to the center of the sensor.
3. Hold your finger for more than one second until you hear a beep.
4. Scan a finger that is clean and free from dirt. If a finger is cracked and dry, lightly moisten the finger to improve recognition.
5. Children aged under 12 (including 12) and under are not recommended to use fingerprint access due to the constant changes of their fingers during growth.
6. Elderly with fading fingerprints may have difficulty in recognition.
7. If your finger has a cut, scar, or cracked skin due to dryness, try another finger.



| Fingerprint Notes

Troubleshooting Fingerprints

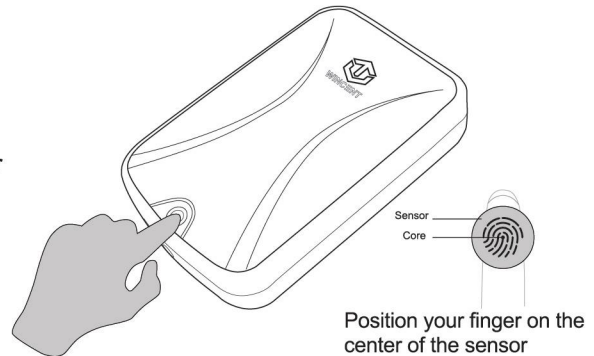
In case of poor fingerprint conditions:

If wet – wipe excess moisture from finger
before scanning

If dry – moisturize or blow warm breath over finger
before scanning

If dirty – wipe stains and dirt off from finger
before scanning

Make sure the sensor is clean from dirt or smudges
– wipe sensor with a soft cloth regularly



Note:

- Any fingerprint can not open the door before setting up the fingerprints.
- If your fingerprint is registered and acknowledged, you will hear a “beep” sound and the purple backlight change to blue on the fingerprint scanner. If you see a Red LED, it means your fingerprint is not recognized, please wait until the red LED is off to try again.

| Delete the Registered Fingerprint

1. Press and hold the reset button for more than 5 seconds until the blue light flashes once with a long beep, which indicates the safe is reset successfully.
2. Now All fingerprints are cleared. If reset failed, you will hear 3 beeps.
3. When all registered fingerprints are cleared, the initial state will be restored, and any fingerprint can not open the safe.

| Secutiry Alarm

1. If wrong fingerprint is entered five (5) consecutive time, safe will go into a lock-down mode for 10 minutes. From the beginning 30 seconds “beep~”and the redlight flashes, then all fingerprints will be temporarily invalid, the red backlight will flash 3 times with 3 beeps in the following locking time.The safety device can still be opened if using the emergency key.
2. After waking up the system, the purple backlight will flash once with one beep, then the system will automatically exit the current state.

| Silent Mode Setting



To silence the audible sound of the electronics, please unlock the safe.
Put your finger on the biometric scanner for 5 seconds to turn off/on the sound.

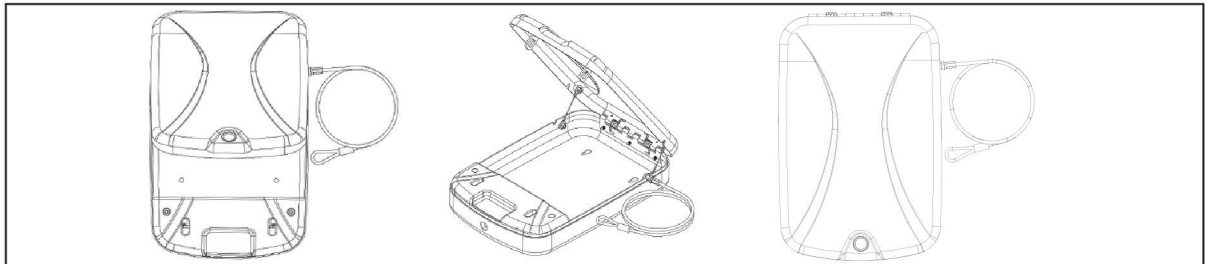
| Securing The Safe

Note:

1. Keep Product Out of Reach of Children
2. The product should be installed in a dry and secure area.
3. Failure to secure the product to a fixed object will compromise the safety and the security of the safe.

| Using the Security Cable

- a) Open your safe and keep it in the open position.
- b) Loop the small end of the cable around the fixed object and then through the large end of the cable.
- c) Place the small end of the cable into the notch of the open safe (make sure the metal stud on the cable is inside the safe.)
- d) Close and lock the safe.

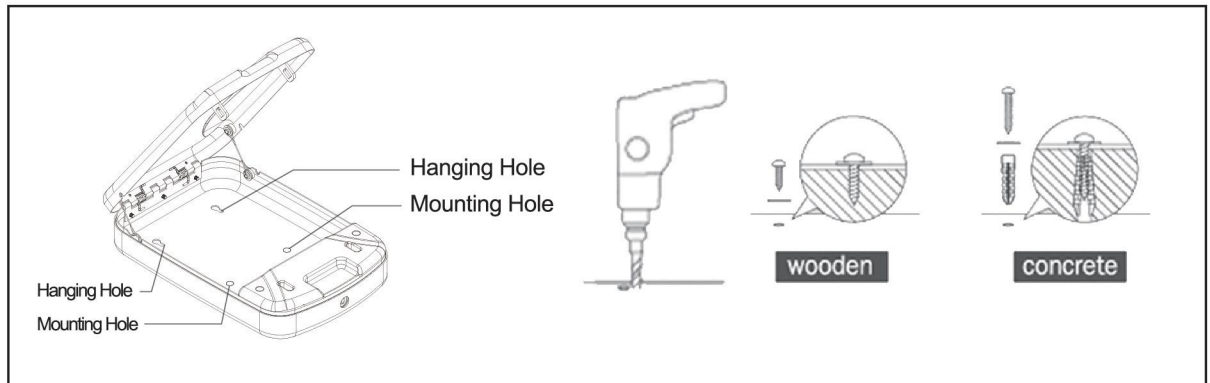


| Securing the Safe on Floor or Wall

Using the pre-drilled mounting holes:

Your product has four pre-drilled mounting holes in the bottom of the safe.

- a) Open your safe
- b) Remove the inner foam padding
- c) Locate the holes
- d) Place the safe in the desired location
- e) Install the proper hardware for the surface material you are mounting to

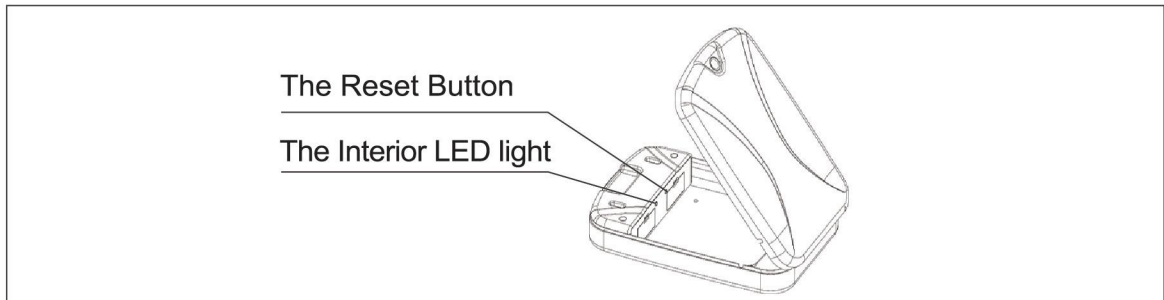


| Low Battery Warning

If battery drops below the required voltage, after entering the valid fingerprint, the red light flashes 6 times along with 6 beeps. In this case, you will need to replace the battery

| Interior LED Light

The interior LED light will light up for 15 seconds when you open the safety device.



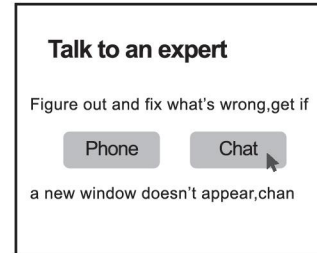
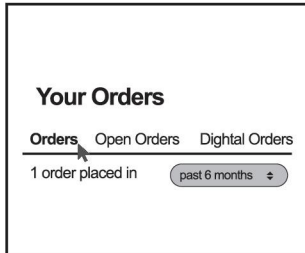
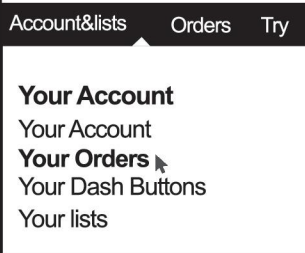
| Customer Support/Warranty

If you have any problem with your WINCENT safe that is not answered in this manual, we encourage you to email us: support@wincenpro.com

How shall I talk to them ?

Go to Your Orders, find your order in list, and click get product support.

You can e-mail the seller by doing the following:



1. Go to your account find the order

2. Find your order item

3. Click get product support

4. Give the seller 24 hours to respond



Please email us to get a special **VIP** discount code before your next order.



Problem with the order? Please email us, give us a chance to help you firstly.



Satisfied with us

If you are satisfied with our products and services.

Please feel free to leave a nice comment.

Email:Customer service: support@wincentpro.com



WINCENT

+1 888-8WINCENT

+1 888-894-6236

 support@wincenpro.com

 Website: www.wincenpro.com