



WINCENT



**BIOMETRIC GUN SAFE
INSTRUCTION >>**

•Safety Instruction	1
•Product Instruction	3
•Battery Installation	4
•Operation	
•Fingerprints Register	5
•Keypad Code Register	7
•Security Alarm	8
•Silent Mode	8
•Low Battery Warning	8
•Assembly	9



Read the instructions carefully and retain them for future use. The instructions must be included when the product given to others. Follow the basic safety precautions to reduce the risk of fire, electric shock and/or injury to person when using electrical appliances as followings:

Battery Warning

- Always install the batteries correctly with regard to polarity(+and-) as marked on the battery and the product.
- Remove and properly dispose of the battery when it runs out of power.

⚠ NOTICE

Please turn the key back (counterclockwise) after opening the safety device, or the door will not lock itself when close it down.

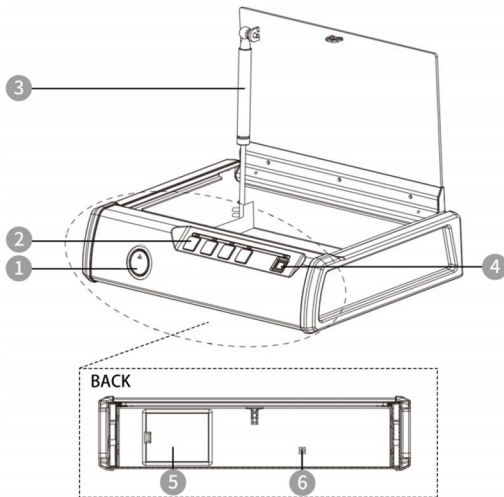
Product Safety Instruction

- Check for transport damages.
- Clean the product before first use.
- Risk of suffocation! Keep any packaging materials away from children- these materials are a potential source of danger, e.g. suffocation.
- Insert the emergency key and turn it clockwise. The safety device is now open.

NOTICE

Please turn the key back (counterclockwise) after opening the safety device, or the door will not lock itself when close it down.

Product Installation



1. Backup Key Access

2. Digital Keypad

3. Pneumatic Rod

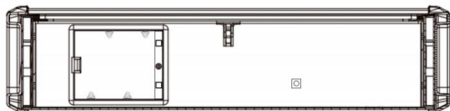
4. Biometric Scanner

5. Battery Compartment

6. Reset Button

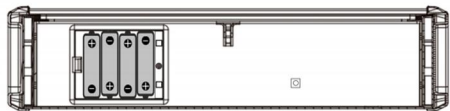
| Battery Installation

1



- To install 4 AA alkaline batteries (included), locate the battery compartment (5). Place the batteries in the compartment. Pay attention to the "+" and "-" signs.
- Repeat above steps for battery replacement.

2



WARNING Do not mix old and new batteries.

WARNING Do not mix alkaline, standard (carbon-zinc), or rechargeable (ni-cad, ni-mh, etc.) batteries.

WARNING Use, care and maintenance information, as well as disposal of batteries information.

⚠ WARNING

Please pay attention to the user manual, and dispose the battery properly.

| Fingerprints Register (Maximum Storage of 50 Fingerprints)

The fingerprints register function is set by “Reset” button.(Part 6 in Page 3)

- ① Press and hold the reset button until all lights flash blue once with a beep.
- ② Put your finger on the biometric scanner and remove your finger after the scanner light flashes blue once with one beep.
- ③ Repeat step 2 for 4 times. Then the scanner lights will flash blue twice with two beeps. Now your fingerprint has been successfully registered.
- ④ If the scanner lights flash red 5 times with 5 beeps, it means registration has failed and you must repeat the above steps.

You cannot register more than 50 fingerprints or the red lights will flash 5 times with 5 beeps , which means the fingerprint storage capacity is full.

Opening Safe with Registered Fingerprint

Put your finger on the fingerprint scanner:

If the fingerprint is correct, the scanner light will light up blue and the door will open automatically; If the fingerprint is invalid, the red lights will flash 5 times with 5 beeps.

Deleting the Registered Fingerprint

- ① Press and hold the reset button. You will hear a beep together with all lights flash blue once.
- ② Keep holding the reset button until you hear two beeps with the scanner light flashes twice, then release it.
- ③ You will hear a beep with all lights flash blue.
- ④ Now all registered fingerprints are erased.

| Keypad Code Register

The safe accepts a 4-6 digital code.

The keypad code register function is set by “Reset” button. (Part 6 in Page 3)

- ① Press and hold the reset button until all lights flash blue once with a beep.
- ② Enter your personal code and press the "Reset" button again to store your new personal code.
- ③ If your new personal code has been accepted, the button lights will flash blue twice with two beeps.
- ④ If the button lights flash red 5 times with 5 beeps, it means the safety device failed to set the new personal code. Repeat the steps above until succeed.

Please record your new personal code in a safe place.

Opening Safe with Registered Keypad Code

With your correct personal code entered (factory pre-set code is 1-2-3-4), the button lights will light up blue and the door open automatically. If the code is entered incorrectly, the button lights will flash red 5 times with 5 beeps.

Security Alarm

If wrong code/ fingerprint is input for 5 times consecutively, the safe will be locked for 5 minutes and all the lights will flash red. All codes/fingerprints will not be allowed to open the safe temporarily.

But the safe can still be opened by using the emergency key.

After 5 minutes, the safety device will automatically resume normal state.

Silent Mode

The silent mode (turn on/off the sound) is set by Backlit Keypad

Press the button “1” until all lights flash blue once to turn on/off the sound.

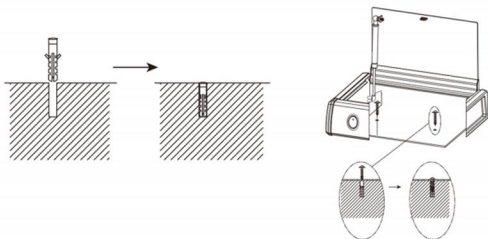
Low Battery Warning

If the 4 AA batteries drop below the required voltage, after entering the correct personal code or valid fingerprint, the lights will light up blue once when the door is open, then flash yellow 5 times with 5 beeps.

In this case, you will need to replace the batteries.

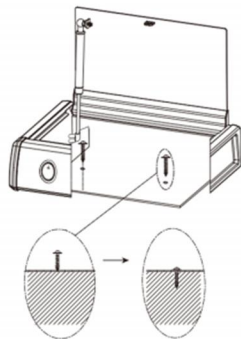
Select a stable, dry and secure location for your safety device.

Concrete Surface



- 1 Place the safety device on a stable and dry surface. Use a pencil to mark the mounting holes on the surface.
- 2 Move the safety device and drill 1.6-inch-deep mounting holes (about 40 mm) by using a 9 mm drill bit.
- 3 Insert the plastic fasteners (included) inside the mounting holes.
- 4 Move the safety device back in place, aligning the safety device over the holes. Then secure the safety device with the tapping screws (included).

Wooden Surface



- 1 Place the safe on a stable and dry surface.
- 2 Secure the safety device by driving the tapping screws (included) through the mounting holes.



WINCENT

Website: www.wincentpro.com

Customer service: info@wincentpro.com