

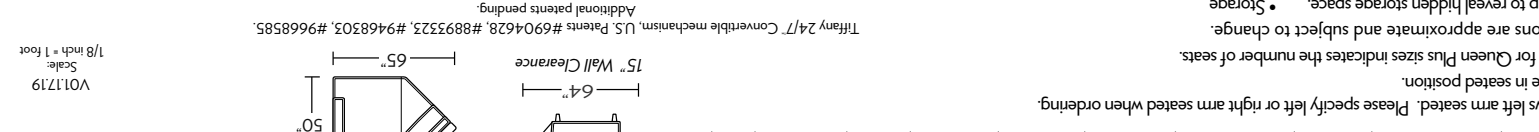
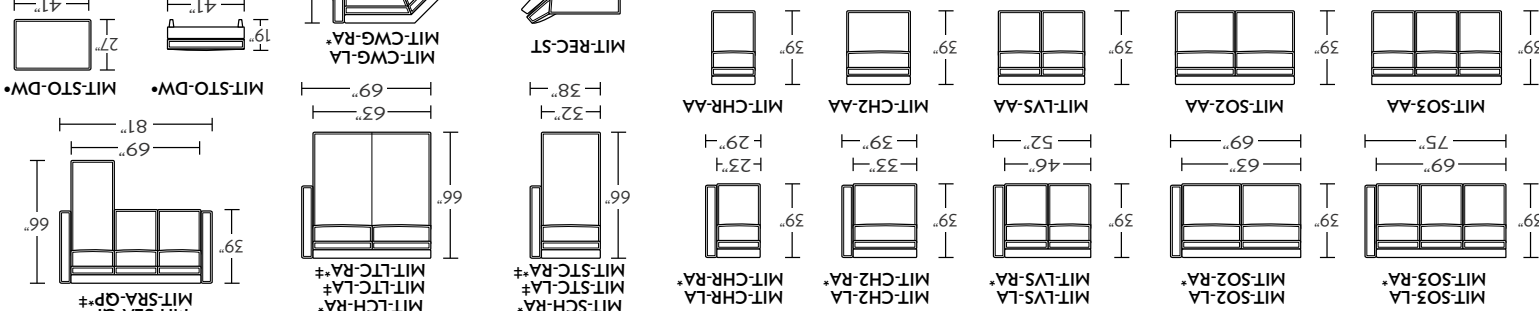
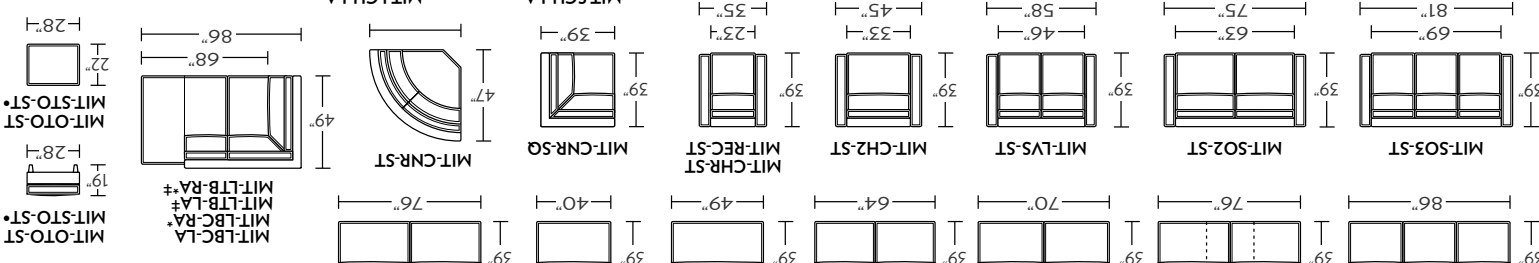
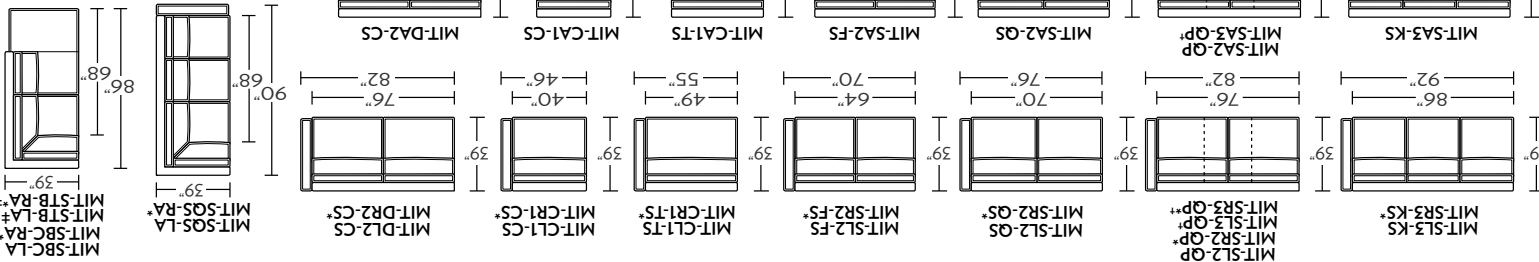
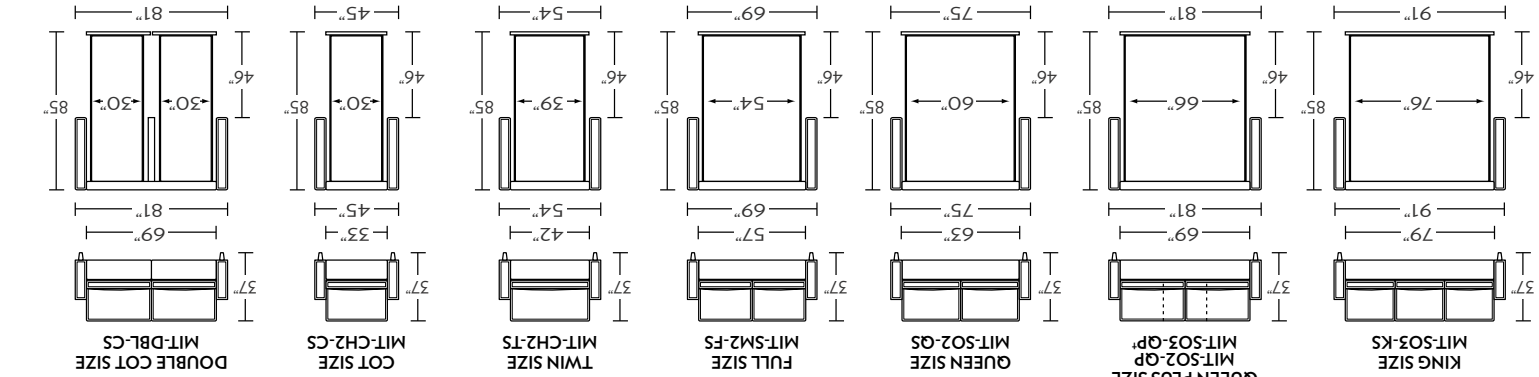
COMFORT SLEEPER® BY AMERICAN LEATHER®

MITCHELL



**AMERICAN
LEATHER®**

MITCHELL



Features:
 Featuring the patented Tiffany 24/7™ platform sleep system
 Room to stretch out with true 80 inches of bedroom-length sleeping surface
 Ultimate comfort on four inches of plush, high-density foam mattress
 Zero wall clearance
 Quick-ship delivery
 Flat French welt
 High-density, high-resiliency foam seat cushions
 Loose back and seat cushions
 Lifetime warranty on frame
 10-year mechanism warranty

Mattress Options:
 Premier with Crypton™ ticking
 Gel
 Tempur-Pedic®
Options:
 High-density, high-resiliency foam seat cushions encased in down and down back cushions available
 Wood legs available in Acorn, Espresso or Walnut finish

Please use actual leather, fabric, Crypton®, Sunbrella® and Ultraseide® swatches when specifying furniture as the colors shown may vary due to the printing process.

* Picture shows left arm seated. Please specify left or right arm seated when ordering.

† Dotted lines for Queen Plus sizes indicates the number of seats.
 ‡ All dimensions are in seated position.
 † All dimensions are approximate and subject to change.
 • Storage
 ‡ Chaise lifts up to reveal hidden storage space.

Tiffany 24/7™ Convertible mechanism, U.S. Patents #6904628, #8893323, #9468303, #9668585.
 Additional patents pending.

V011719
 Scale:
 1/8" inch = 1 foot