

STYLE IN MOTION® G-SERIES

BRYANT



**AMERICAN
LEATHER®**

BRYANT

Standard Features:

- Premium high-density, high-resiliency foam seat cushions encased in down
- Sinuous spring suspension
- Semi-attached back cushions with lumbar support
- Semi-attached seat cushions
- Double-needle top-stitch
- In-arm control panel is easy to use and includes a 2-amp USB charging port
- Control panel is LED backlit with auto-off after 5 seconds
- Lifetime warranty on frame and suspension
- Five-year warranty on mechanism
- Three-year warranty on motor
- Quick-ship delivery

Options:

- Wood sled legs available in Natural Walnut or Gray Ash
- Premium high-density, high-resiliency foam seat cushion
- Contrasting stitch detail available in Black, Brown, Charcoal, Cream, Espresso, Grey, Lemon, Pink, Royal, Scarlet, Tangerine, or Teal thread color
- Contrasting back and seat cushions available (two-tone)
- 1.8-amp hour lithium-ion battery pack available
- Battery pack has a one-year warranty
- Easy disassembly for delivery

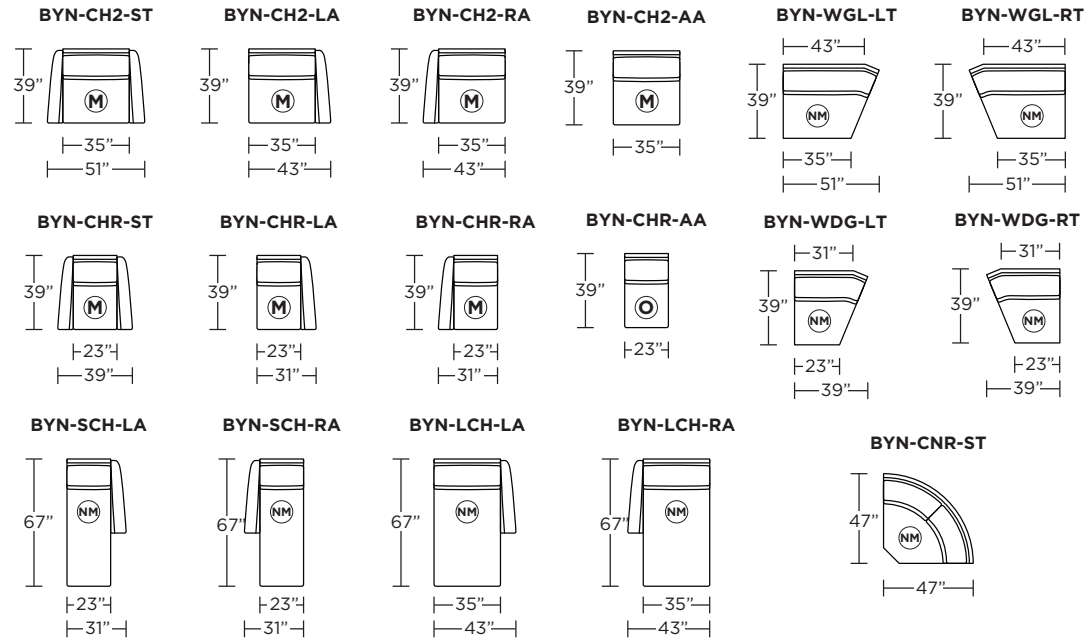
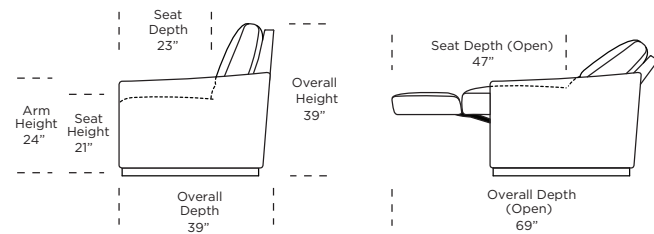
Please use actual leather, fabric, Crypton®, Sunbrella® and Ultrasuede® swatches when specifying furniture as the colors shown may vary due to the printing process.

Note: Microfiber fabrics such as SUEDELIFE and VEELIFE not suggested for this style. Please contact American Leather® Support Services for a complete list of recommended fabrics.

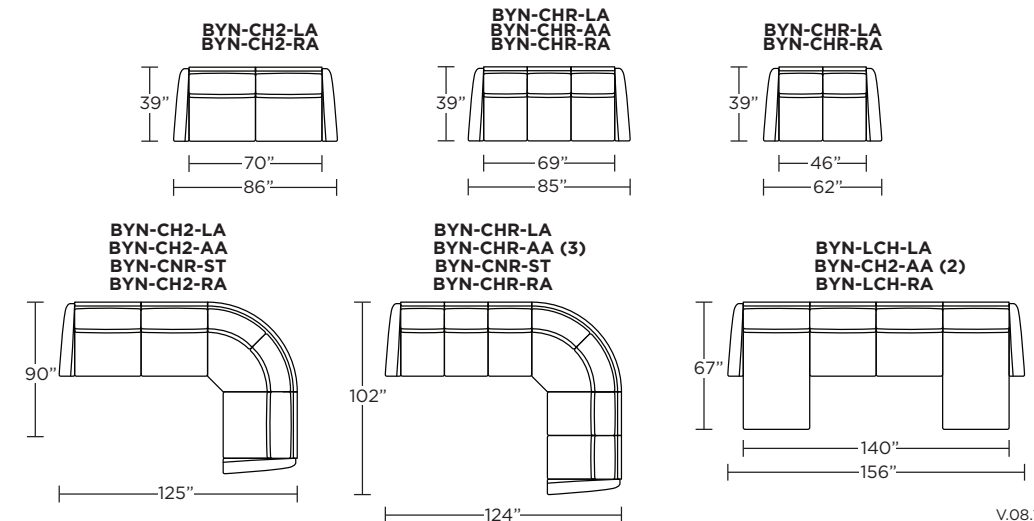
Wall Clearance is 5" at full recline.

MOTION LEGEND:

(M) = Motion
(NM) = No motion available



Suggested Configurations



V.08.19.21

Safe low voltage electrical components are UL listed.

Scale : 1/8 inch = 1 foot
All dimensions are approximate and subject to change.
Specify all components from the sitting position.