



Watch how to assemble a WBC Lift on our YouTube channel

W.B.C LIFT

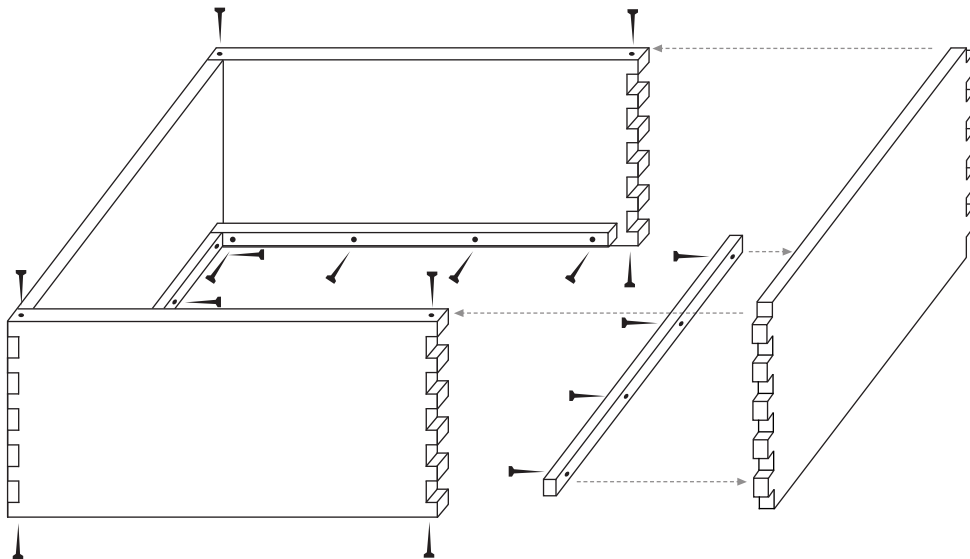
Kit Consists Of: 4 x Side Pieces
Pinchers
Nails
1 x Packet 1" & 1 1/2 "

Essential Tools: Hammer
4 x Bars
Ruler

Advisable Tools: 2 x 2' Sash Cramps

ASSEMBLY INSTRUCTIONS:

1. Separate the four side pieces into their identical pairs. Identical pieces will be opposite each other in the completed lift.
2. Glue and nail (1 1/2") these four pieces together taking care to ensure that the top and bottom edges, which are planed at an angle, will be horizontal in the completed lift.
3. Make sure that the lift is square, by measuring the two diagonals, which should be equal. Leave to dry.
4. Fix the four bars (using 1" nails) around the base. Use one bar as a guide by placing it below the bar to be fixed and flush with the bottom edge of the lift. Work around three sides in this manner and fix the fourth bar by lining up with the ends of the first and third bar.



LIFT WITH PORCH:

1. Position the lift on the W.B.C floor (make sure the lift is pushed back against the wedges on top of the floor) and place the porch with the entrance slides in place, on the front of the lift.
2. Adjust the porch so that the entrance slides move easily but cannot fall out.
3. Ensure that the porch is central on the front of the lift.
4. Drive home the screws. Do not glue in position.

Note: It may be useful to study the angle on each panel to establish inside and outside faces before gluing the joints.