

CEDAR BREATHER®

	Page
Installation Under Cedar Shingles	2
Installation Under Cedar Shakes	3
Rake & Drip Edge Shingles Detail	4
Rake & Drip Edge Shakes Detail	5
Valley Flashing	6
Integration with Rapid Ridge 7 Ridge Vent	7



**CEDAR
BREATHER®**
UNDERLAYMENT
FOR WOOD ROOFING

Installation Under Cedar Shingles

Note: Recommended on a 3/12 roof slope or greater. Shingle installation can be used with 3-ply tapersawn shake application.

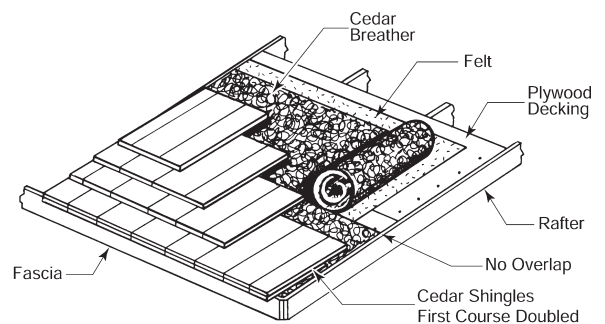
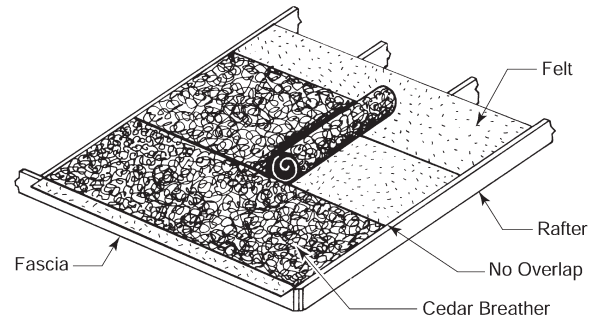
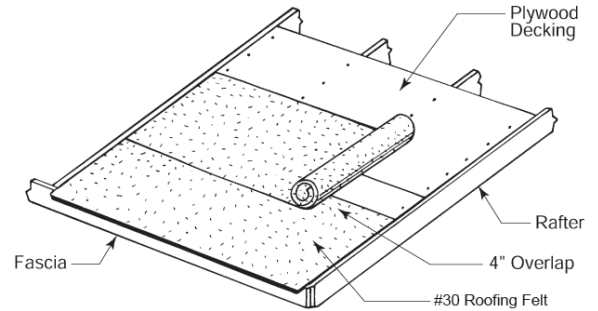
1. Install plywood deck onto roof rafters.
2. Install roofing felt over entire roof deck. Felt should extend 1/4" beyond edge of roof deck. Overlap layers at least 4" working toward the ridge.
3. Tack down Cedar Breather. One tack (or nail) approximately every 3 square feet is adequate. Install with dimples down to present the flat side as the nailing surface.

Do not lap layers of Cedar Breather. Each course should butt against previous course.

Work from fascia to ridge while installing shingles to avoid walking directly on Cedar Breather (may be slippery, especially when wet).

4. Install cedar shingles per manufacturer's instructions. Utilize a nail length that will allow for 3/4" penetration into sheathing or completely through sheathing. Allow 1/4" for Cedar Breather thickness.

Best Practice Tip: We recommend installing Cedar Breather with Rapid Ridge 7. Even without cutting a slot for ridge ventilation, this continuous ventilation from roof edge to peak will help to maximize the effects of Cedar Breather and increase drying potential of the shingles.



Installation Under Cedar Shakes

Note: Recommended on a 4/12 roof slope or greater.

1. Install plywood deck onto roof rafters.
2. Install 36" of roofing felt for eave protection extending 1/4" beyond edge of roof deck.
3. Tack down Cedar Breather. One tack (or nail) approximately every 3 square feet is adequate. Install with dimples down to present the flat side as the nailing surface.

Do not lap layers of Cedar Breather. Each course should butt against previous course.

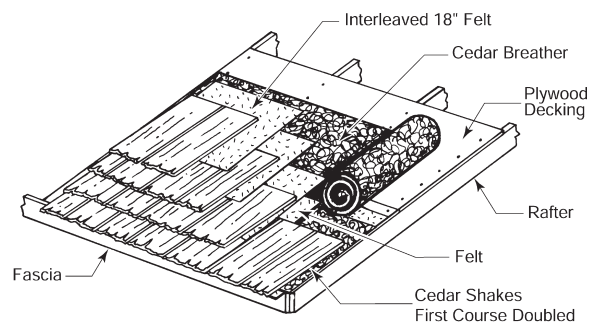
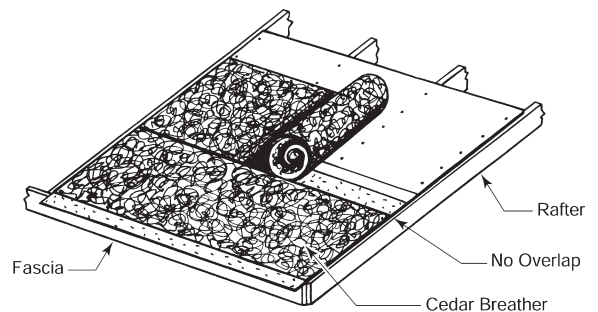
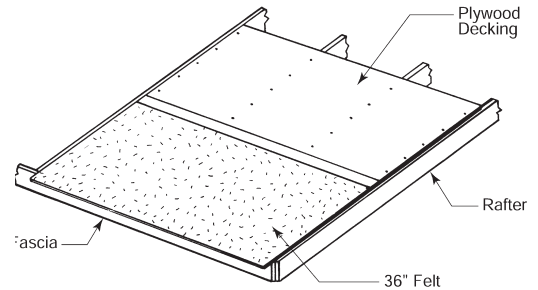
Work from fascia to ridge just ahead of shake and felt installation to avoid walking directly on Cedar Breather (may be slippery, especially when wet).

4. An 18" wide strip of #30 roofing felt should be laid over the top portion of the shakes and extend onto the Cedar Breather.

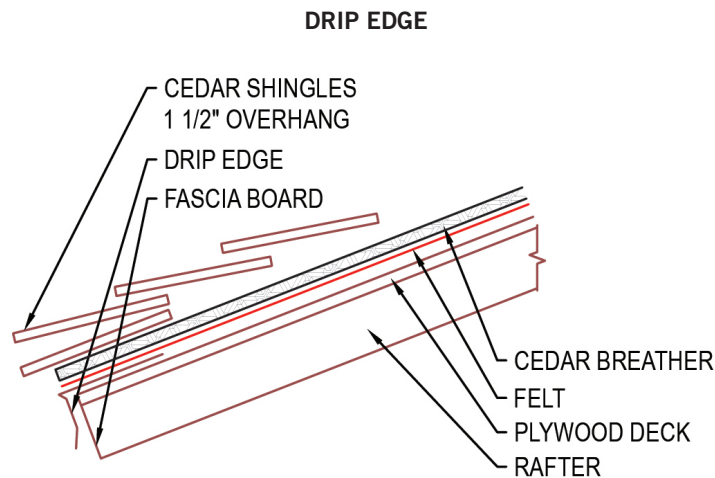
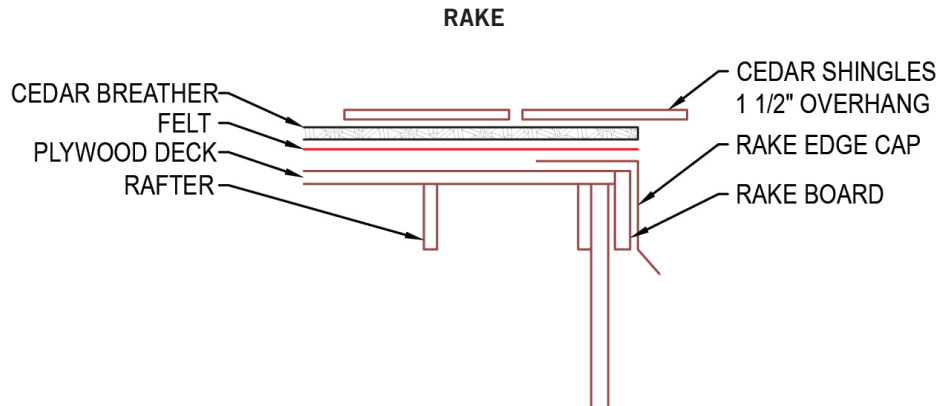
The bottom edge of the felt should be positioned above the butt of the shake at a distance equal to twice the weather exposure per manufacturer's installation instructions.

Utilize a nail length that will allow for 3/4" penetration into sheathing or completely through sheathing. Allow 1/4" for Cedar Breather thickness.

Best Practice Tip: We recommend installing Cedar Breather with Rapid Ridge 7. Even without cutting a slot for ridge ventilation, this continuous ventilation from roof edge to peak will help to maximize the effects of Cedar Breather and increase drying potential of the shingles.



Rake & Drip Edge Shingles Detail



Installation Note:

*Note: if not installing drip edge, felt must overhang fascia board by a minimum of 1/2".

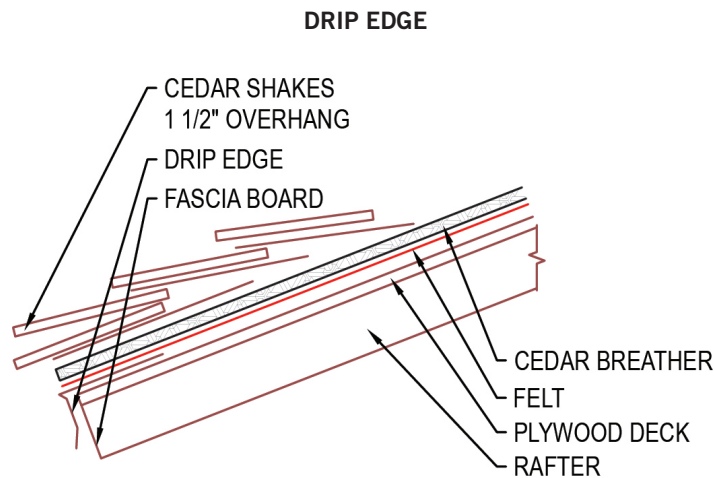
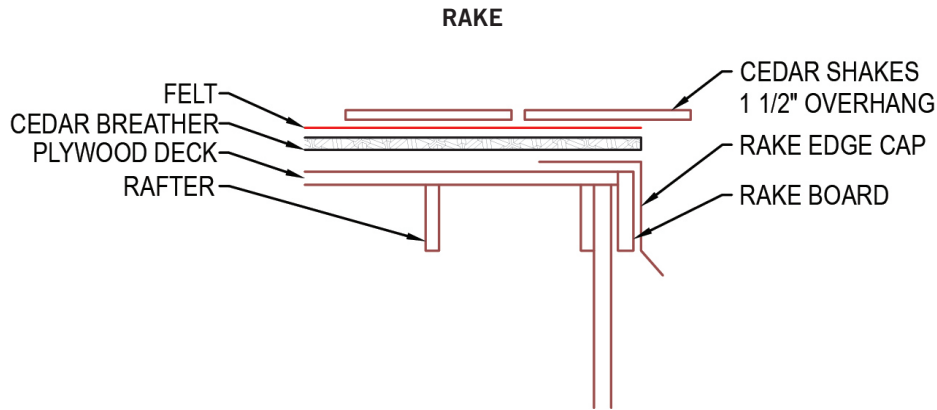
When using a rake edge cap or drip edge, install edging pieces so that they are directly on top of the deck.

1. Install prepainted aluminum or galvanized rake edge cap or drip edge on top of deck.
2. Install felt and Cedar Breather onto roof deck per instructions.
3. Install shingles per manufacturer's instructions.

Best Practice Tip: We recommend installing Cedar Breather with Rapid Ridge 7. Even without cutting a slot for ridge ventilation, this continuous ventilation from roof edge to peak will help to maximize the effects of Cedar Breather and increase drying potential of the shingles.

Alternative installation: For severe wind driven rain concerns, Cedar Breather can be installed held off the rake edge by up to 1". Cedar shingles can be nailed tightly to the roof deck at the rake edges to provide additional protection. Please note, while air can move through the spaces between the cedar shingles, air flow won't be maximized when ventilation at the rake is restricted.

Rake & Drip Edge Shakes Detail



Installation Note:

*Note: if not installing drip edge, felt must overhang fascia board by a minimum of 1/2".

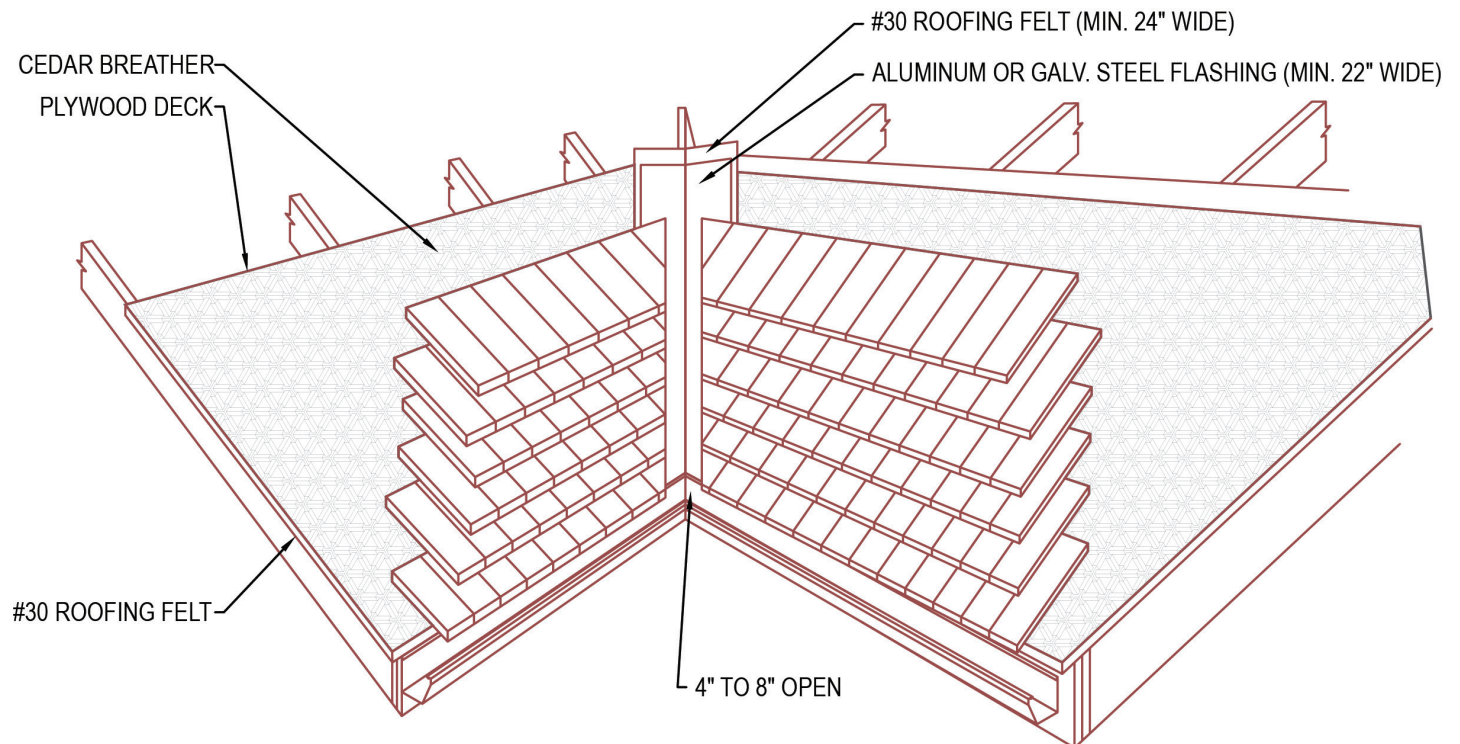
When using a rake edge cap or drip edge, install edging pieces so that they are directly on top of the deck.

1. Install prepainted aluminum or galvanized rake edge cap or drip edge on top of deck.
2. Install felt and Cedar Breather onto roof deck per instructions.
3. Install shakes per manufacturer's instructions.

Best Practice Tip: We recommend installing Cedar Breather with Rapid Ridge 7. Even without cutting a slot for ridge ventilation, this continuous ventilation from roof edge to peak will help to maximize the effects of Cedar Breather and increase drying potential of the shingles.

Alternative installation: For severe wind driven rain concerns, Cedar Breather can be installed held off the rake edge by up to 1". Cedar shingles can be nailed tightly to the roof deck at the rake edges to provide additional protection. Please note, while air can move through the spaces between the cedar shingles, air flow won't be maximized when ventilation at the rake is restricted.

Valley Flashing



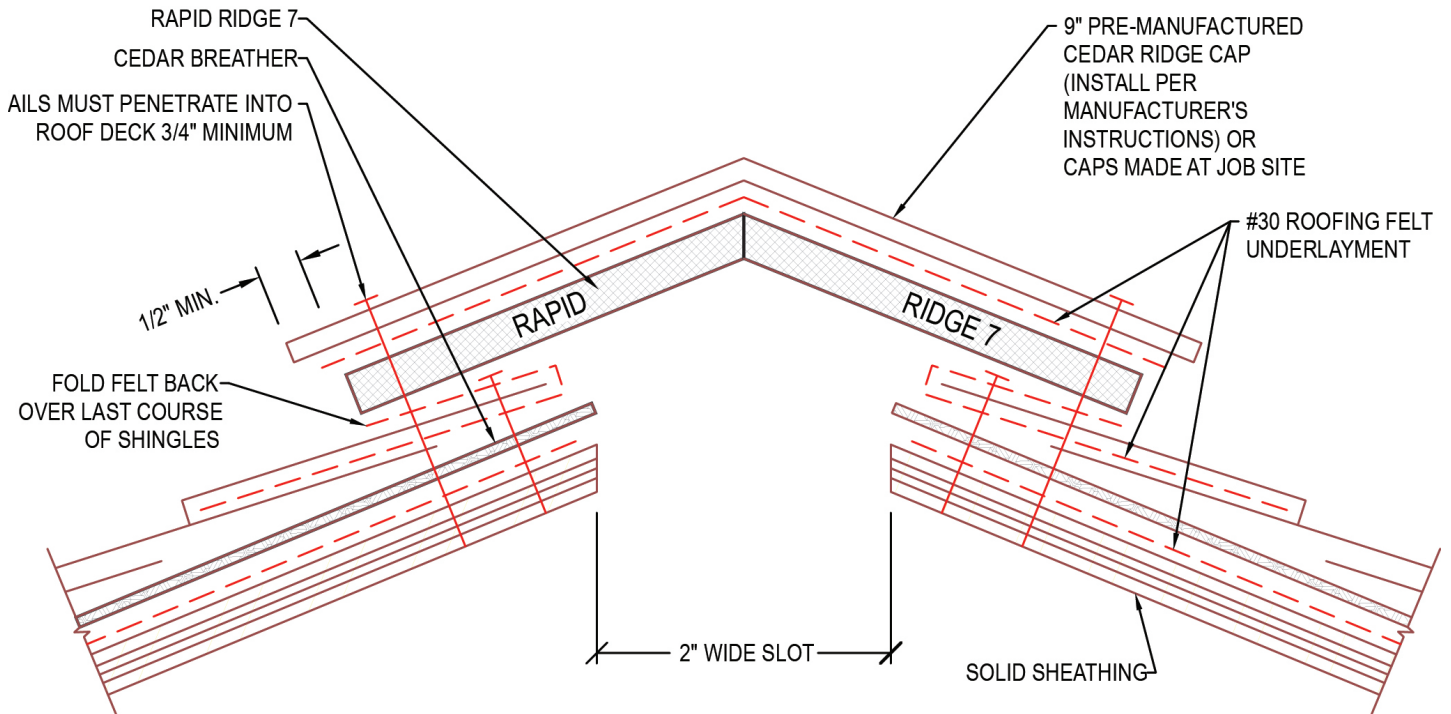
Installation Note:

*Shingle Installation Shown

When flashing a valley on a cedar roof utilizing Cedar Breather, the flashing should be applied so that it is in direct contact with the underside of the shingle or shake/interleaved felt and on top of the Cedar Breather and felt.

1. At valley, install a 24" wide strip of #30 roofing felt on top of Cedar Breather.
2. Install center-crimped metal valley flashing made of aluminum or galvanized steel, 22" wide (8" min. each side for shingles, 11" min. each side for shakes).
3. Install shingles or shakes leaving open valley width of 4" to 8" depending on anticipated water volume. Shingles or shakes should not be applied with grain parallel to valley centerline and those extending into the valley should be cut at the correct angle. Joints between shingles or shakes must not break into the valley.

Integration with Rapid Ridge 7 Ridge Vent



Installation Note:

Install with continuous soffit ventilation at each eave equivalent to 7 sq. in. per linear foot.

Cedar cap must overhang Rapid Ridge 7 by 1/2" minimum each side. Ridge cap must overhang Rapid Ridge 7 by 1" minimum at each gable end.

On Cedar Shingle application, apply #30 roofing felt onto roof followed by Cedar Breather and singles.

On Cedar Shake application, apply Cedar Breather directly onto plywood and apply felt per shake-manufacturer's installation instructions.