

10 INCH RGBW RING LIGHT KIT

Welcome to the #influencer 10 Inch RGBW ring light kit. Here are the instructions on how to set-up your kit so you can get on with creating content.

FEATURES

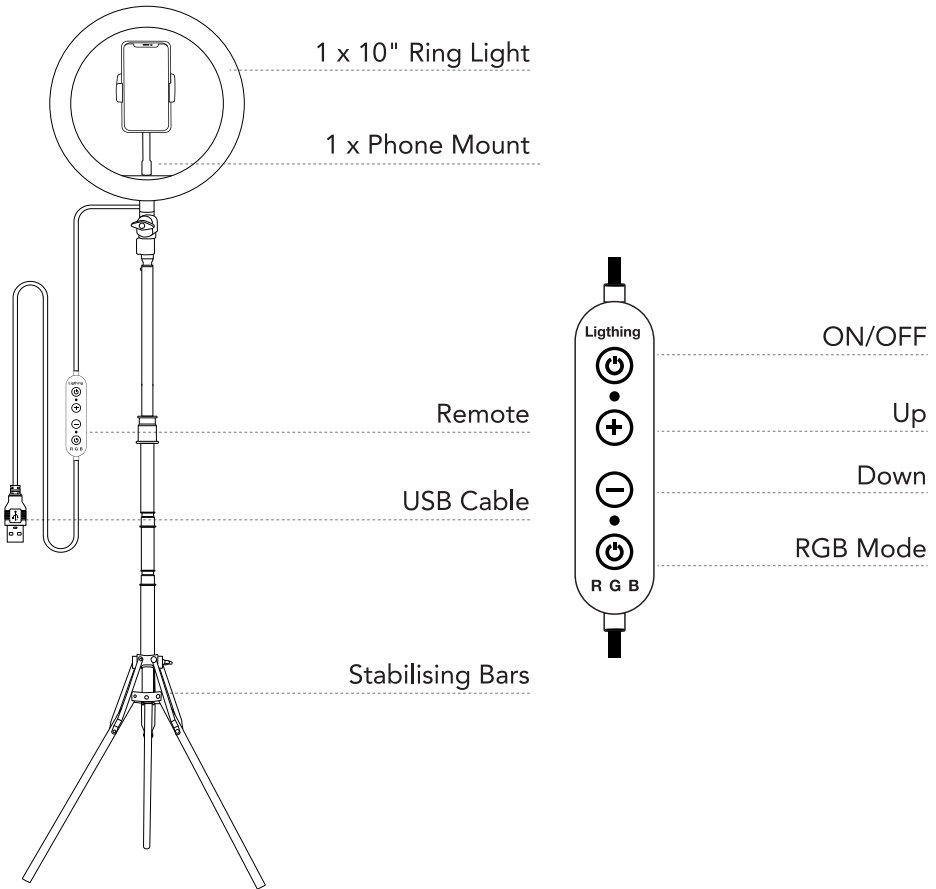
- Powered via USB.
- Connect to suitable USB source providing 5V D.C, 2A (10W). (USB Adaptor not included)



VLM13004

*Ring light is 10 inch high as measured from mounting point to top of the ring.

INCLUDED

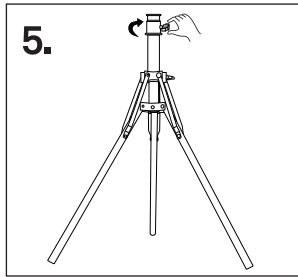
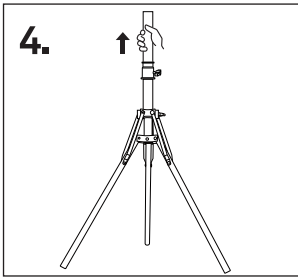
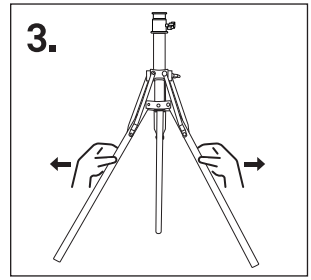
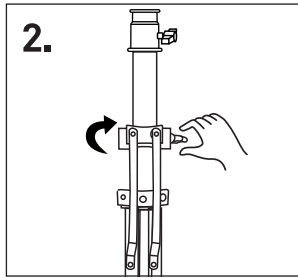
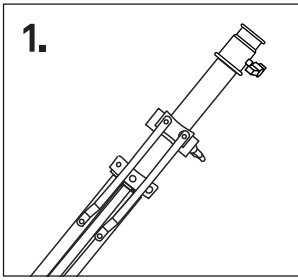


ASSEMBLY

Assembly of the 10" Ring Light Kit is broken down into 3 sections: Tripod, ring light and phone mount.

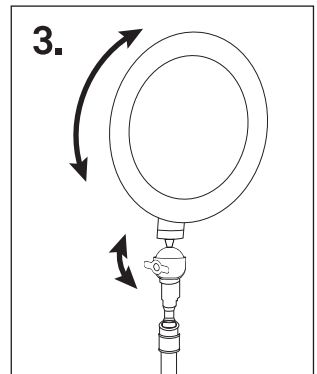
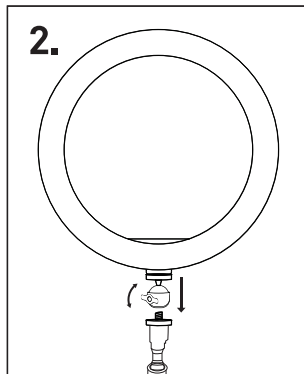
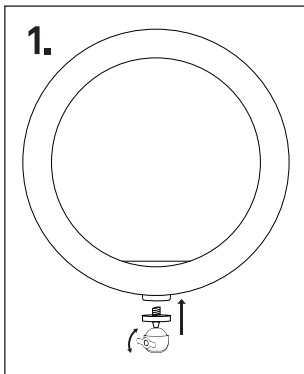
SECTION 1: TRIPOD

1. Take the folded tripod out of the packaging (Fig. 1).
2. Loosen the base adjustment screw (Fig. 2).
3. Use your hands to gently pull the legs outwards from the centre shaft (Fig. 3).
4. Adjust the legs until they are spread wide and sit securely on the ground. Then tighten the base adjustment screw.
5. Loosen the pole screws to extend to your desired height. Then tighten once height is confirmed (Fig. 4 & 5).



SECTION 2: RING LIGHT

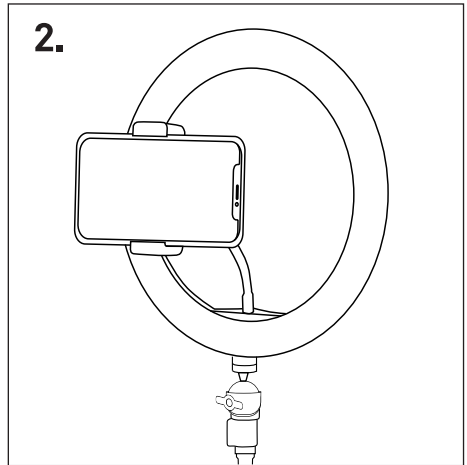
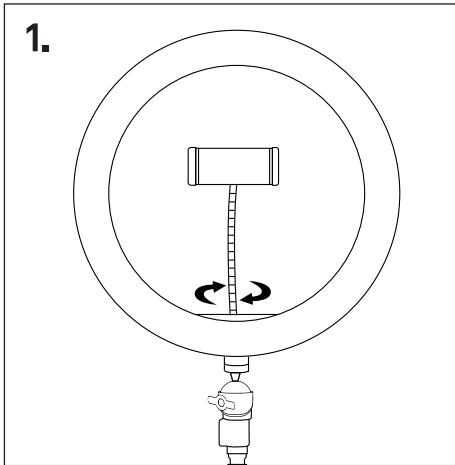
1. Remove the ring light from packaging.
2. Screw ball joint attachment onto the ring light (Fig 1).
3. Screw desired tripod onto the base of the ball joint (Fig 2).
4. Loosen the adjustment screw to change ring angle and then tighten when at desired angle.
5. The light modes and brightness levels can be controlled on the in-line remote.



SECTION 3: PHONE MOUNT

1. Screw the phone mount into the hole on the base of the ring light so that it is secure.
2. Attach the phone bracket onto the mount either in portrait or landscape position. Pull spring-loaded side of phone mount and insert your smart phone (Fig. 2).

You may need to remove your phone case for secure insertion into phone mount.



WARNINGS: READ BEFORE USING

Photosensitivity / epileptic seizures:

A very small percentage of individuals may experience epileptic seizures when exposed to certain light patterns or flashing lights. Exposure to certain patterns or backgrounds on a computer screen, may induce an epileptic seizure in these individuals. Certain conditions may induce previously undetected epileptic symptoms even in persons who have no history of prior seizures or epilepsy. If you, or anyone in your family, have an epileptic condition, consult your physician prior to using. If you experience any of the following symptoms while using the product -- dizziness, altered vision, eye or muscle twitches, loss of awareness, disorientation, any involuntary movement, or convulsions - IMMEDIATELY discontinue use and consult your physician before resuming using.

Influencer™

PO Box 5658 Brendale QLD
Australia 4500
Customer Support 1800 812 261

