

14 INCH RING LIGHT STUDIO KIT

INVLTPK14

Welcome to the #influencer
14 Inch Ring Light Studio Kit.
Let's get you up to speed so
you can start creating great
content!



FEATURES

- Tripod 73cm-210cm
- LED ring light
- Single and double phone mount
- Microphone arm
- Bluetooth® selfie remote

*Ring light is 14 inch high as measured
from mounting point to top of the ring.

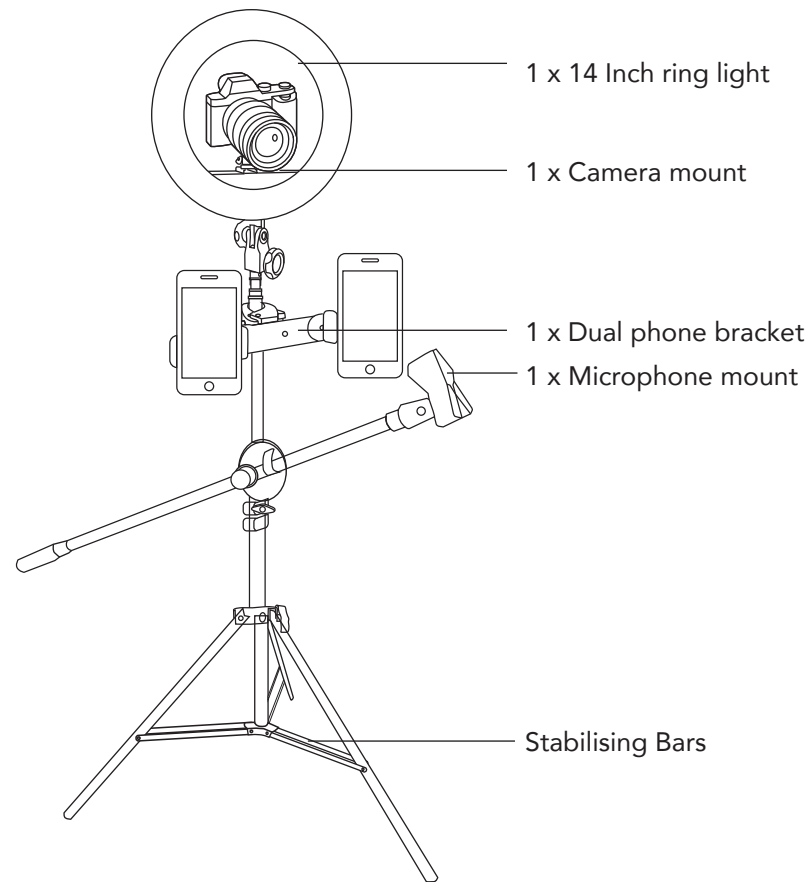
Influencer™

PO Box 5658 Brendale QLD
Australia 4500
Customer Support 1800 812 261

1711/5



INCLUDED

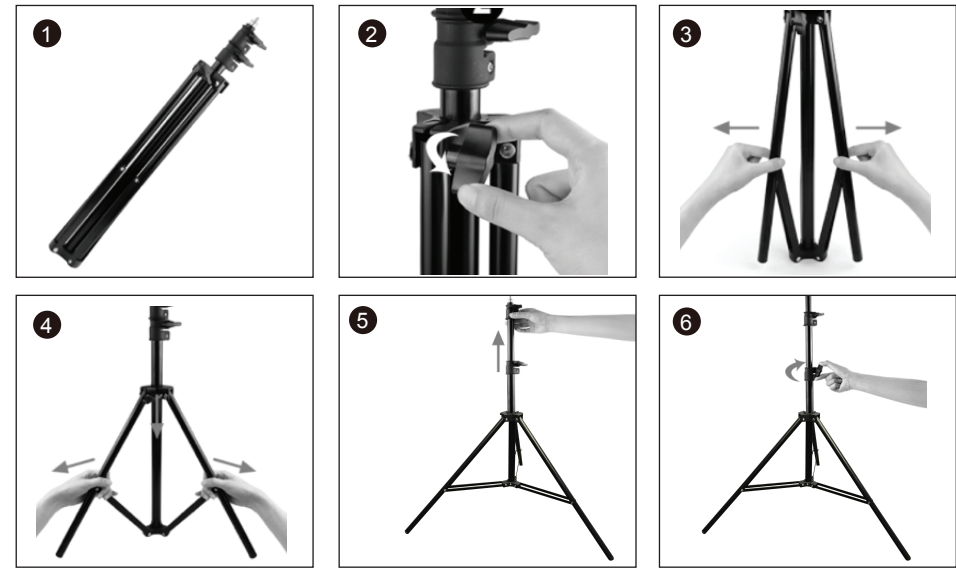


ASSEMBLY

Assembly of the 14 Inch Ring Light Studio Kit is broken down into 5 sections: Tripod, ring light, phone mount, microphone mount and camera mount.

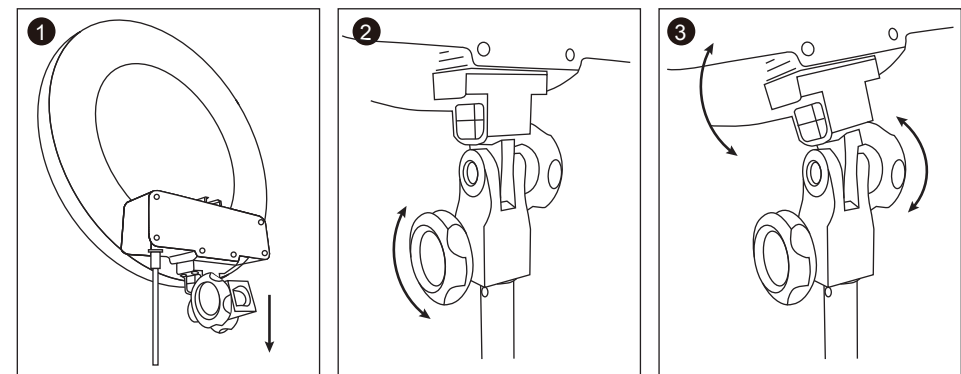
SECTION 1: TRIPOD

1. Take the folded tripod out of the packaging (Fig. 1).
2. Loosen the base adjustment screw (Fig. 2).
3. Use your hands to gently pull the legs outwards from the centre shaft (Fig. 3 & 4).
4. Adjust the legs until stabilising bars are parallel with the ground. Then tighten the base adjustment screw.
5. Loosen the pole screws to extend to your desired height. Then tighten once height is confirmed (Fig. 5 & 6).



SECTION 2: RING LIGHT

1. Remove the assembled ring light from packaging.
2. Pull down the base mount of ring light so that one of the adjustment screws is lower than the other (Fig. 1).
3. Unscrew and pull out bottom adjustment screw, then attach mount to top of tripod. Re-insert adjustment screw and tighten with adjustment ring until mount is secure (Fig. 2).
4. You can tilt the ring light by loosening the top adjustment screw and then tightening once the ring light is in the desired position (Fig. 3).
5. The light modes can be found on the back of the ring light. The left knob is brightness and the right knob is mode (white, neutral and warm light).

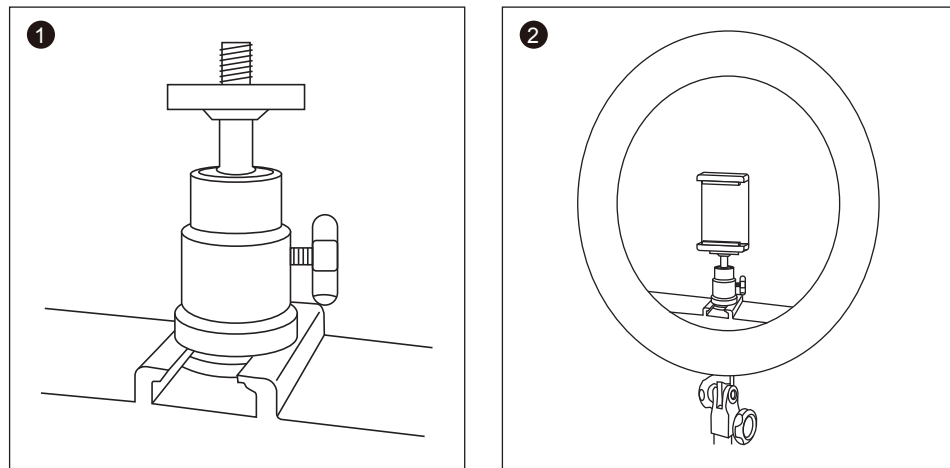


SECTION 3: PHONE MOUNT

There are multiple phone mounting options in this kit.

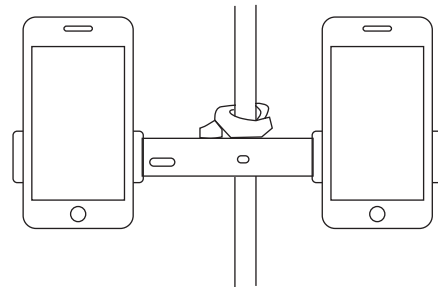
A. Centre ring mounting:

1. Insert the phone metal mount onto the ring light and tighten the base adjustment ring clockwise to secure (Fig. 1).
2. Screw the phone bracket onto the mount either in portrait or landscape position. Pull spring-loaded side of phone mount and insert your smart phone (Fig. 2). You may need to remove your phone case for secure insertion into phone mount.



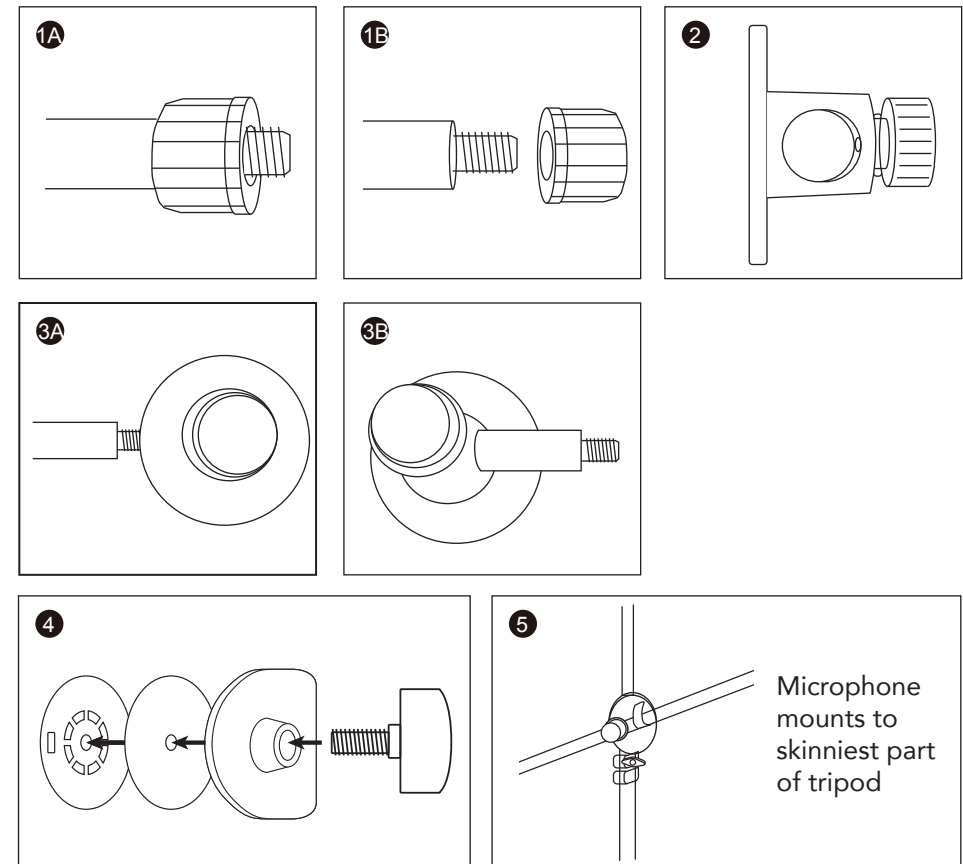
B. Dual phone mounting:

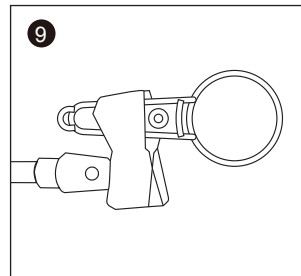
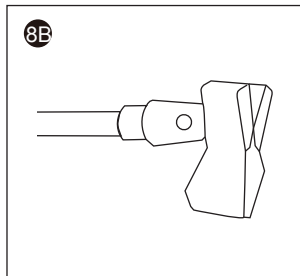
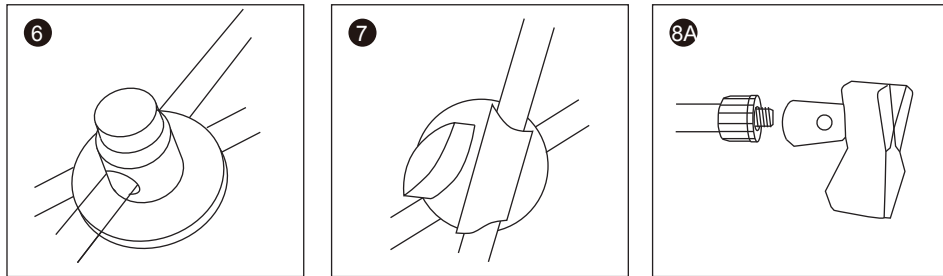
1. Attach the plastic clamp to the tripod by loosening the adjustment screw (rotate anti-clockwise) and place around the tripod pole. Once in place, tighten the clamp by rotating the adjustment screw clockwise, then push down the tab to lock in place.
2. Attach the dual phone bracket to the clamp by rotating the bracket onto the mounting thread.
3. Attach the phone mounts to the bracket by screwing the two adjustment screws into the phone mounts.
4. To insert your smart phones into the mounts, pull the spring-loaded side on each mount. You may need to remove your phone case for secure insertion into the phone mount.



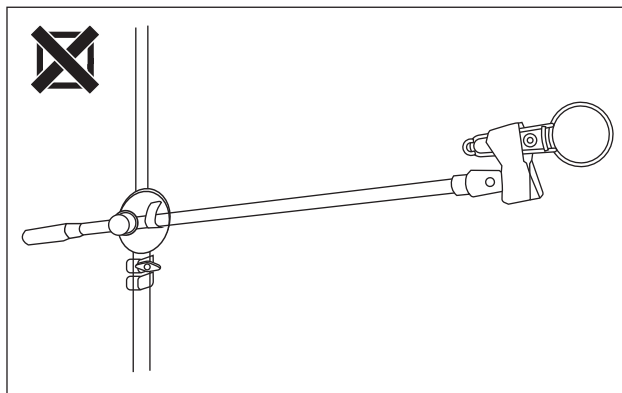
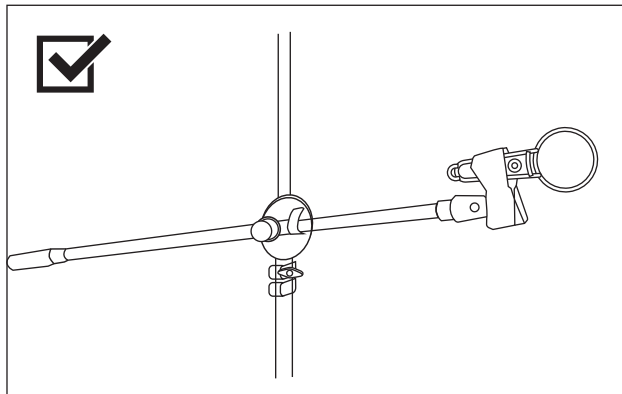
SECTION 4: MICROPHONE MOUNT

1. Unscrew the end cap of the microphone arm (Fig. 1A & 1B).
2. Loosen the adjustment bolt on microphone arm joint connector (Fig. 2).
3. Insert microphone arm into joint connector (Fig. 3A).
4. Re-attach the end cap (Fig. 3B).
5. Attach the microphone arm to the thinnest part of the tripod (Fig. 4 & 5).
6. The microphone arm can be moved up and down by loosening and tightening this screw (Fig. 6).
7. The microphone arm can be adjusted on the tripod by loosening and tightening this bolt (Fig. 7).
8. To attach the microphone mount to the microphone arm remove cap from end of microphone arm, then attach microphone mount and screw clockwise until secure (Fig. 8A & 8B).
9. Squeeze the microphone mount clamp to open and then attach your microphone (Fig. 9). A cable management clip is included for your microphone if required.



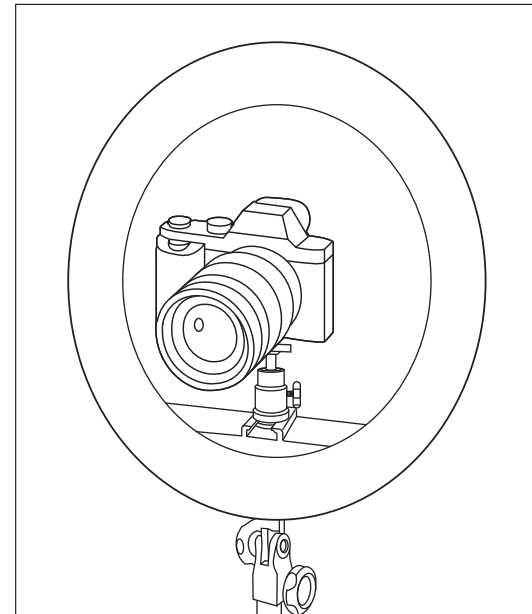


Note: Don't over extend the microphone arm otherwise you risk tipping the tripod over. Don't extend past $\frac{2}{3}$.



SECTION 5: CAMERA MOUNT

1. Attach the metal camera mount to the camera base first.
2. Attach the camera base to the ring light mount by placing in the slots then tighten the base adjustment ring.



SECTION 6: BLUETOOTH® SELFIE REMOTE

1. Push the camera button on the remote to switch it on.
2. Once the green light flashes, open Bluetooth® connections/settings on your smart phone. Refer to your user manual for instructions on pairing and connecting Bluetooth® devices.
3. Select "Influencer" from the Bluetooth® device list. The green light should stop flashing once your device has successfully connected to the remote.
4. To take a selfie with the remote, open the camera on your smart phone and press the camera button on the remote to take the photo.
5. To recharge your remote, you will need a Micro USB cable and power adaptor (not included).

