

6 INCH RING LIGHT TRIPOD KIT

INTP6

Welcome to the #influencer
6 Inch Ring Light Tripod Kit.
Let's get you up to speed so
you can start creating great
content!

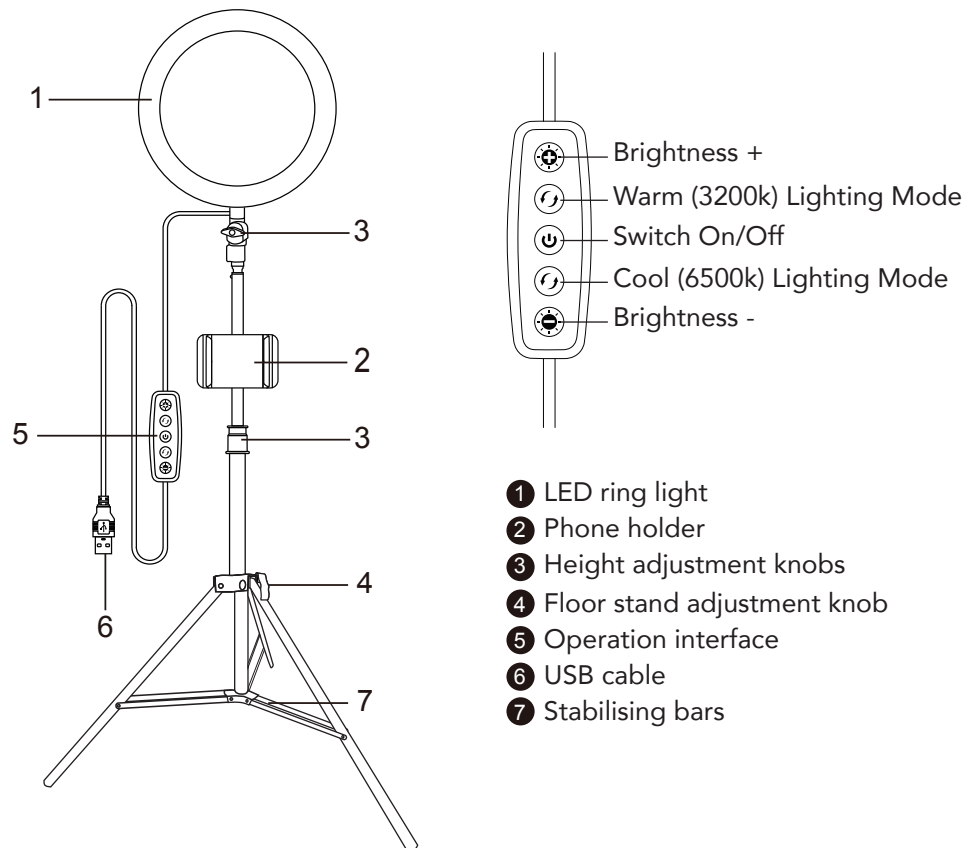
#influencer
vlogging essentials



FEATURES

- 3 Lighting modes: white light, neutral light and warm light
- 96 LEDs
- 10 Levels of brightness adjustment
- Metal 1.2m tripod
- Adjustable tripod to suit desktop height from floor or placement on any surface

INCLUDED

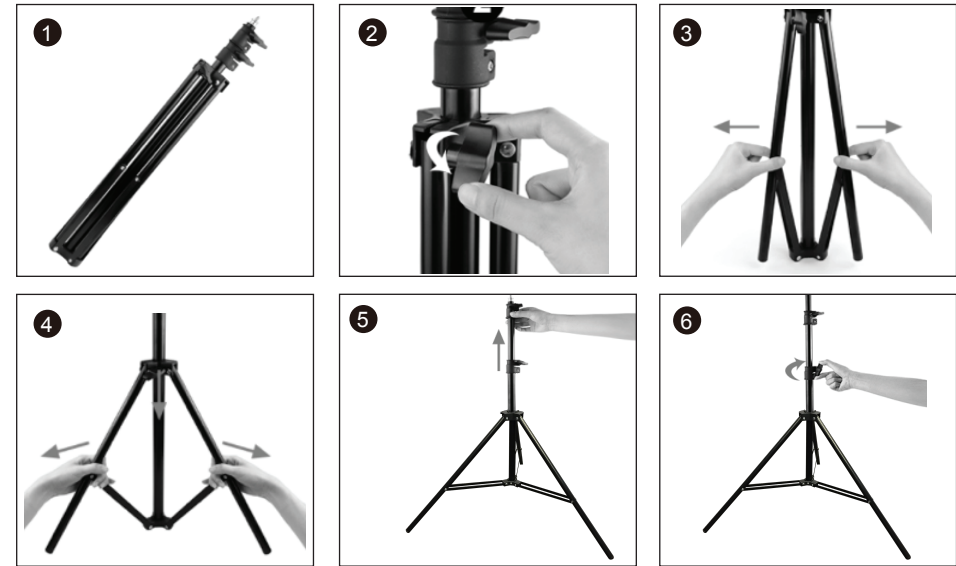


ASSEMBLY

Assembly of the 6 Inch Ring Light Tripod Kit is broken down into 3 sections: Tripod, light and phone mount.

SECTION 1: TRIPOD

1. Take the folded tripod out of the packaging (Fig. 1).
2. Loosen the base adjustment screw (Fig. 2).
3. Use your hands to gently pull the legs outwards from the centre shaft (Fig. 3 & 4).
4. Adjust the legs until the stabilising bars are parallel to the ground. Then tighten the base adjustment screw.
5. Loosen the pole screws to extend to your desired height. Then tighten once height is confirmed (Fig. 5 & 6).



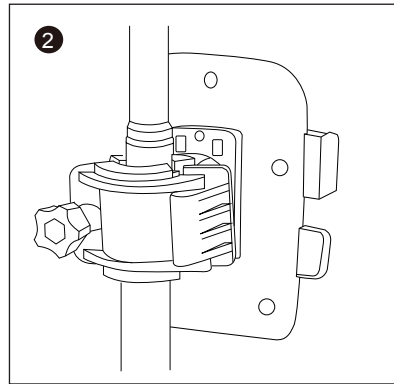
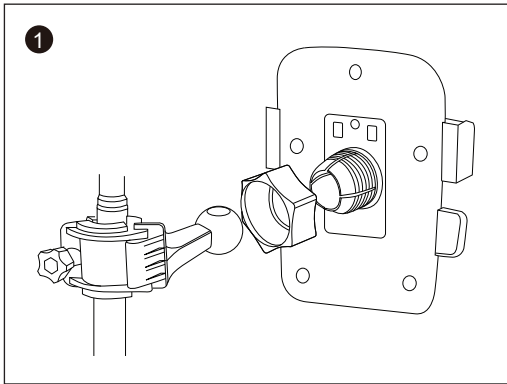
SECTION 2: RING LIGHT

1. Remove the assembled ring light from packaging.
2. Attach the ring light mount (Fig. 2) to the assembled tripod.
3. Attach the ring light to the ring light mount then tighten the adjustment screw (Fig. 3).
4. For the desired position of the ring light, you can tilt it by loosening and then securing with the adjustment screw (Fig. 4).



SECTION 3: PHONE MOUNT

1. Place the tightening nut over the pole mount. Then insert the pole mount's spherical end into the rear of the phone holder (Fig. 1).
2. Fasten the tightening nut over the two pieces to hold them in place (Fig. 2).
3. Unscrew the bracket to attach the phone mount to the tripod.
4. Place the phone mount onto the tripod pole then tighten the bracket screw to secure the phone mount in place (Fig. 2).



Influencer™

PO Box 5658 Brendale QLD
Australia 4500
Customer Support 1800 812 261

1711/8

