

MICROPHONE BOOMARM KIT

INBAPOP

Welcome to the #influencer
Microphone Boomarm Kit. Let's
get you up to speed so you can
start creating great content!

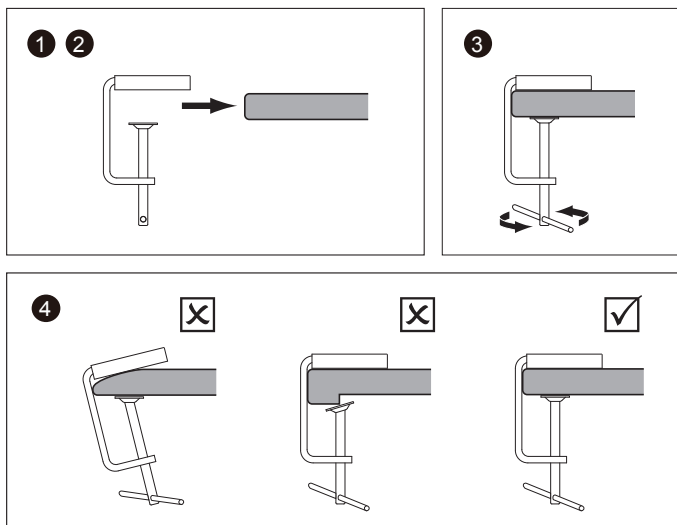


SPECIFICATIONS

- Scissor suspension
- Pop filter
- Clamp desk mount
- Microphone mount

MOUNTING VIA THE DESK CLAMP

1. Unscrew the clamp so that the opening is large enough to fit over the edge of your table.
2. Push the clamp all the way onto the table edge for maximum security.
3. Fasten the clamp to the desk by turning the handle so that it is tight against the underside of the table. Note: Make sure that the clamp sits flush on both the top and bottom surfaces of the table.
4. Test that you have mounted the clamp securely by seeing if you can pull it off the edge of the table. Tables with round edges provide less security than those with square edges.
5. Insert the arm into the hole at the top of the clamp.



ATTACHING THE MICROPHONE MOUNT

1. Install the microphone holder by screwing clockwise onto the attachment thread of the boom arm.
2. Insert microphone into the holder until secure.

ATTACHING THE POP FILTER

1. Attach the pop filter bracket to the top metal arm.
2. Tighten the adjustment screw on the bracket until firm.
3. Bend pop filter into desired location. (Must be between microphone and noise source).

Influencer™

PO Box 5658 Brendale QLD
Australia 4500
Customer Support 1800 812 261