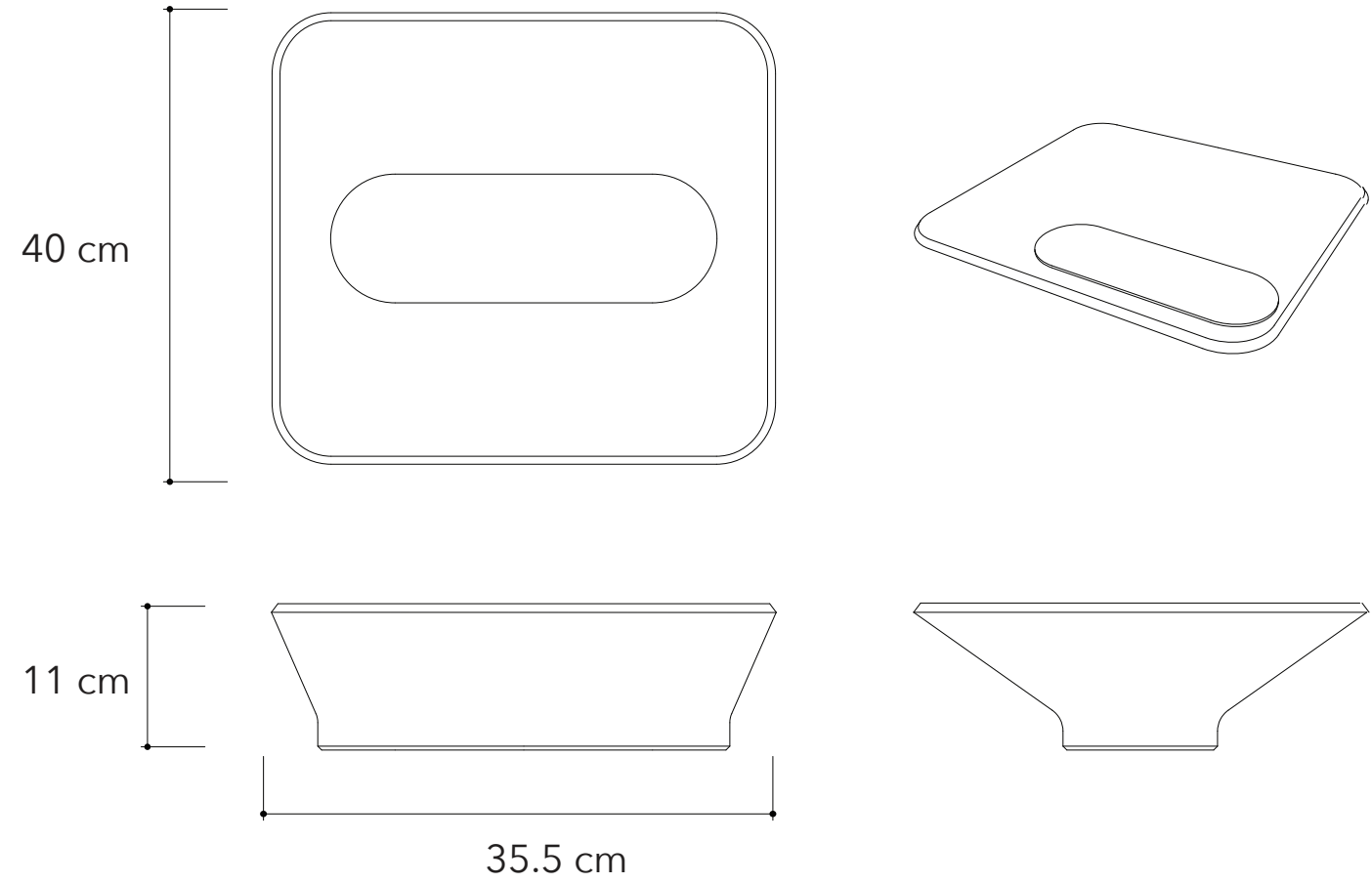


PONDOK 01
Product Data Sheet

KONKRETUS



Note: Illustrative images, may vary from the real product.

Dimensions

Dimensiones

Height Altura	4.3 " Inches - 11 Cm 4.3 " Pulgadas - 11 Cm
Width Ancho	14 " Inches - 35.5 Cm 14" Pulgadas - 35.5 Cm
Depth Profundidad	15.7 " Inches - 40 Cm 15.7 " Pulgadas -40 Cm

Weight

Peso

11 Pounds - 5 Kg
11 Libras - 5 Kg

Material

Material

Concrete
Concreto

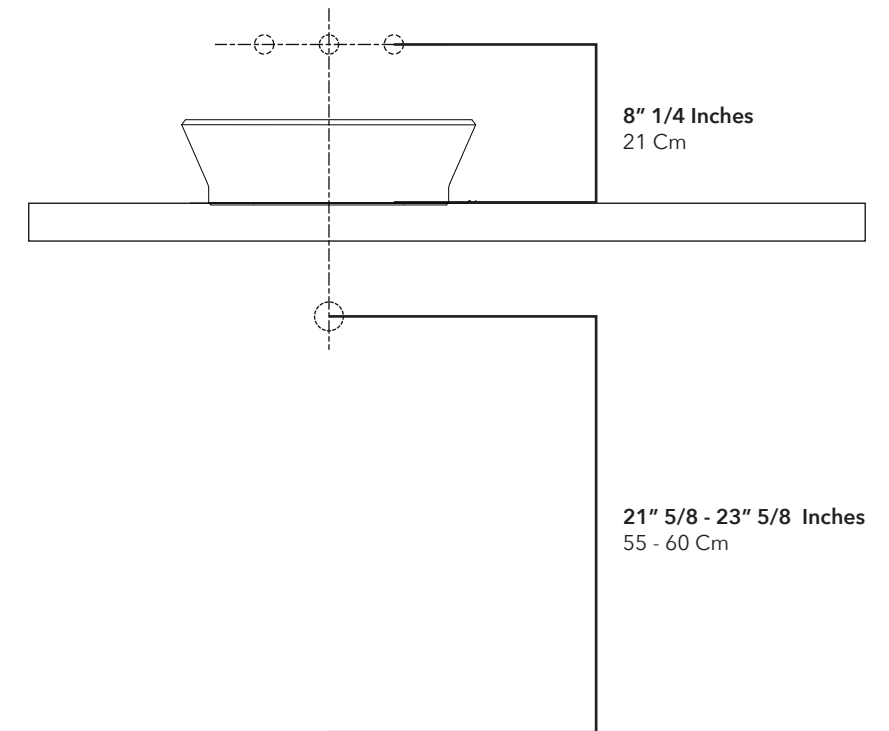
Installation Notes

Notas de Instalación

Recommended height for wall mounted taps

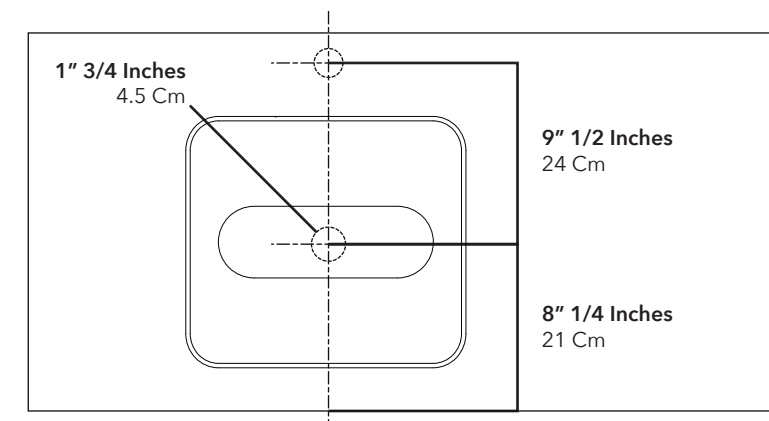
Altura recomendada para grifería de pared

Tipo de montura **Vessel**
Vessel



Recommended perforations for drain and countertop tap

Perforaciones recomendadas para el desagüe y la grifería de mesón



Note: These are approximate and may vary.

Note: These are recommended and may vary, verify before installation.