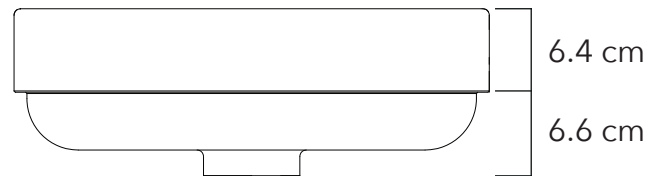
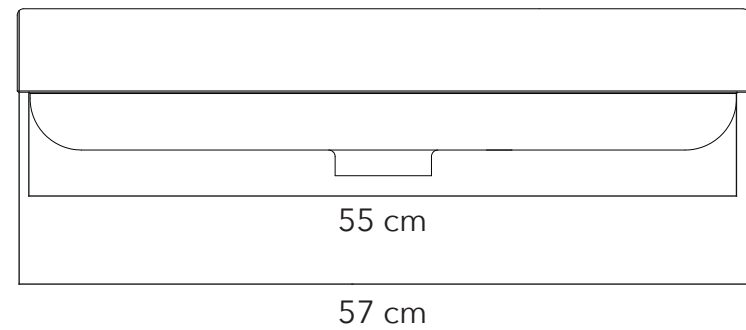
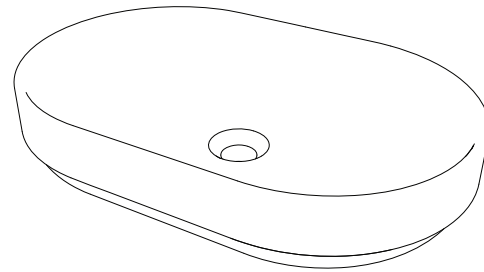
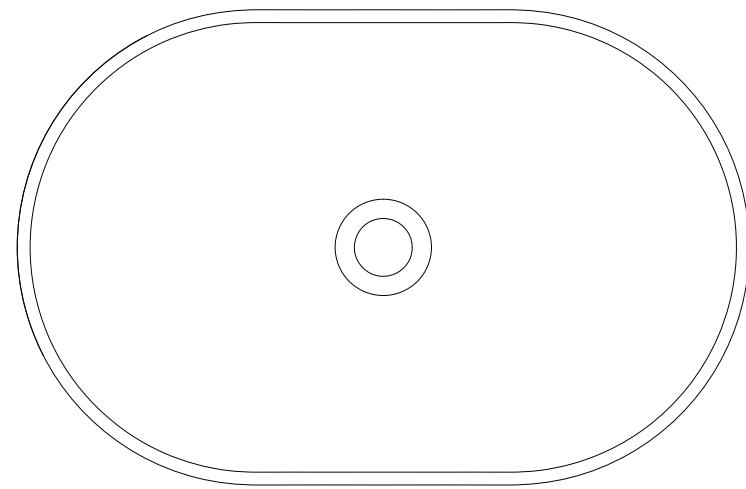




FLADD 04 Drop In
Product Data Sheet

KONKRETUS

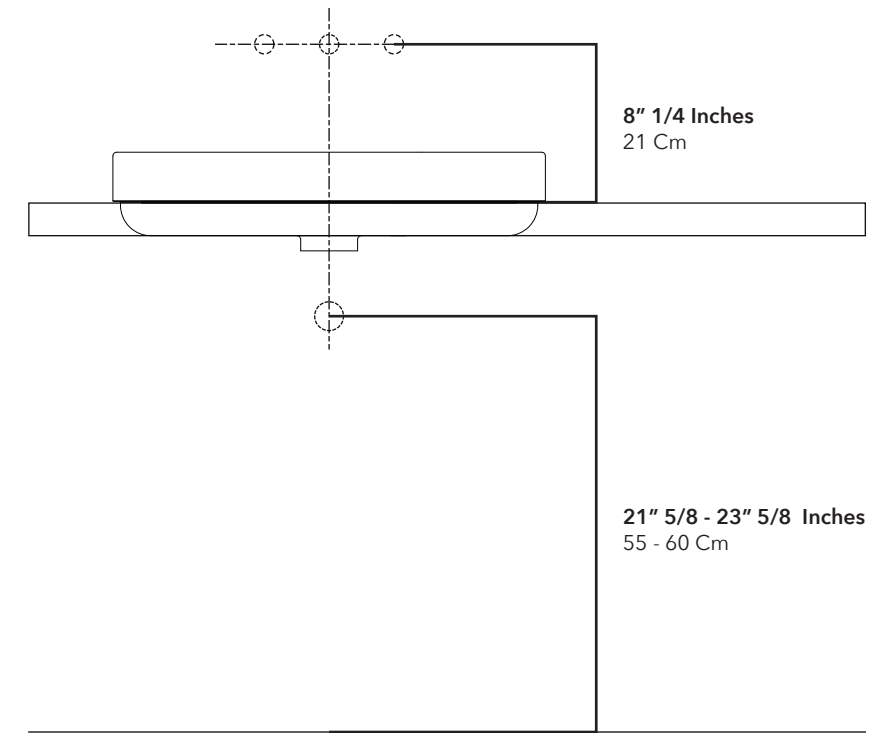


Installation Notes

Notas de Instalación

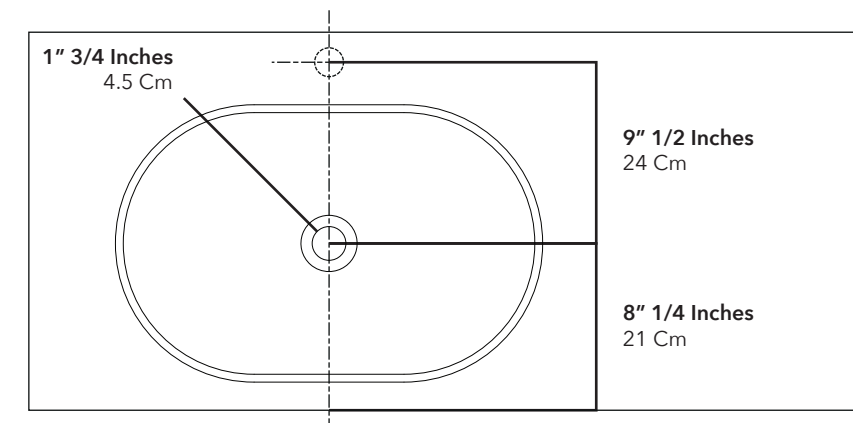
Recommended height for wall mounted taps

Altura recomendada para grifería de pared



Recommended perforations for drain and countertop tap

Perforaciones recomendadas para el desague y la grifería de mesón



Dimensions

Dimensiones

Height Altura	5" 1 Inches - 13 Cm 5" 1 Pulgadas - 13 Cm
Width Ancho	22" 1/2 Inches - 57 Cm 22" 1/2 Pulgadas - 57 Cm
Depth Profundidad	14" 1/2 Inches - 37 Cm 14" 1/2 Pulgadas - 37 Cm

Weight

Peso

39.6 Pounds - 18 Kg
39.6 Libras - 18 Kg

Material

Material

Concrete
Concreto

Note: These are approximate and may vary.

Note: These are recommended and may vary, verify before intallate.