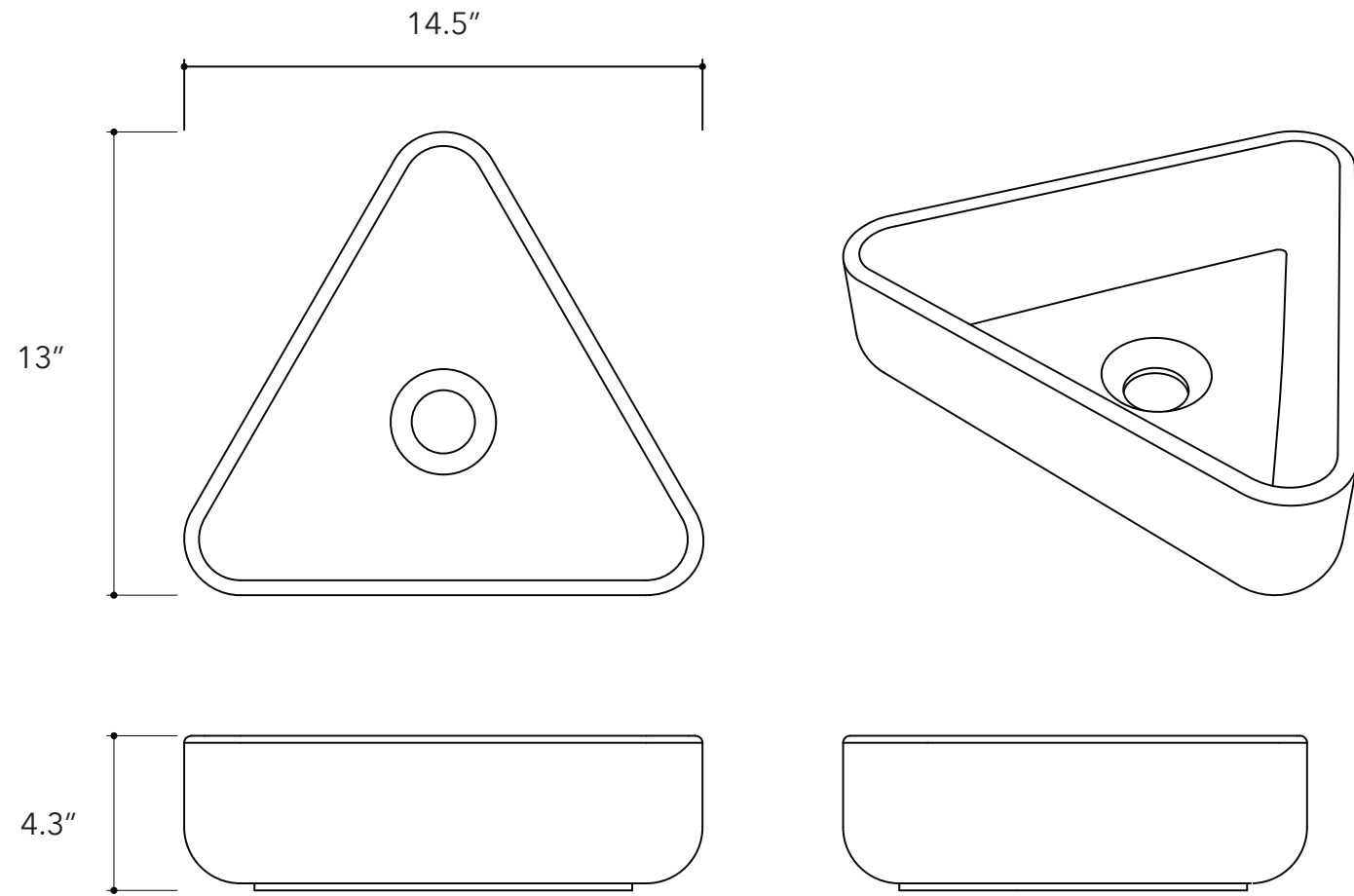


**FLADD 01**  
Product Data Sheet

**KONKRETUS**



Scale 1:10

Note: Illustrative images, may vary from the real product.

## Dimensions

Dimensiones

<b>Height</b> Altura	<b>4.3 " Inches - 11 Cm</b> 4.3 " Pulgadas - 11 Cm
<b>Width</b> Ancho	<b>14.5 " Inches - 37 Cm</b> 14.5" Pulgadas - 37 Cm
<b>Depth</b> Profundidad	<b>13 " Inches - 33 Cm</b> 13 " Pulgadas -33 Cm

## Weight

Peso

**12.5 Pounds - 5.7 Kg**  
12.5 Libras - 5.7 Kg

## Material

Material

**Concrete**  
Concreto

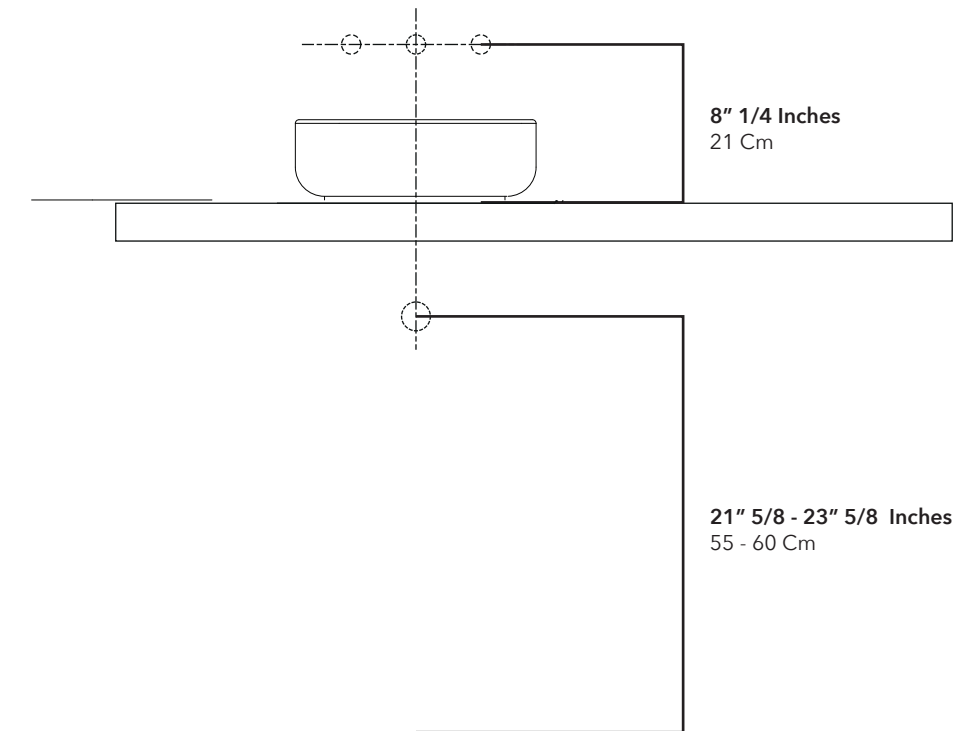
## Installation Notes

Notas de Instalación

### Recommended height for wall mounted taps

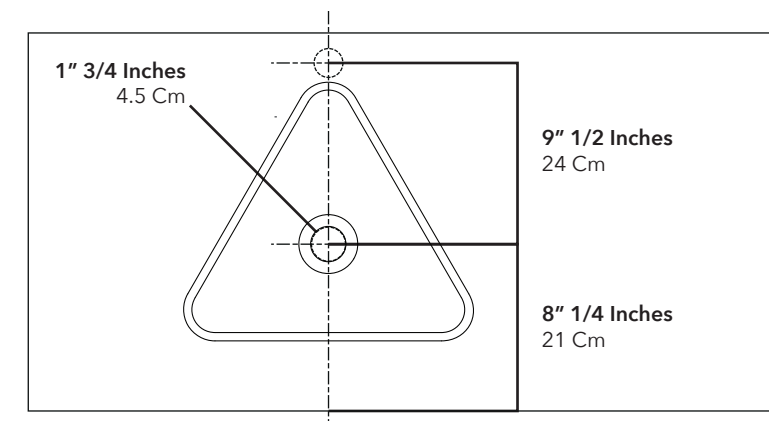
Altura recomendada para grifería de pared

Tipo de montura **Vessel**  
Vessel



### Recommended perforations for drain and countertop tap

Perforaciones recomendadas para el desagüe y la grifería de mesón



Note: These are approximate and may vary.

Note: These are recommended and may vary, verify before installation.