

**BAHIA 02**  
Product Data Sheet

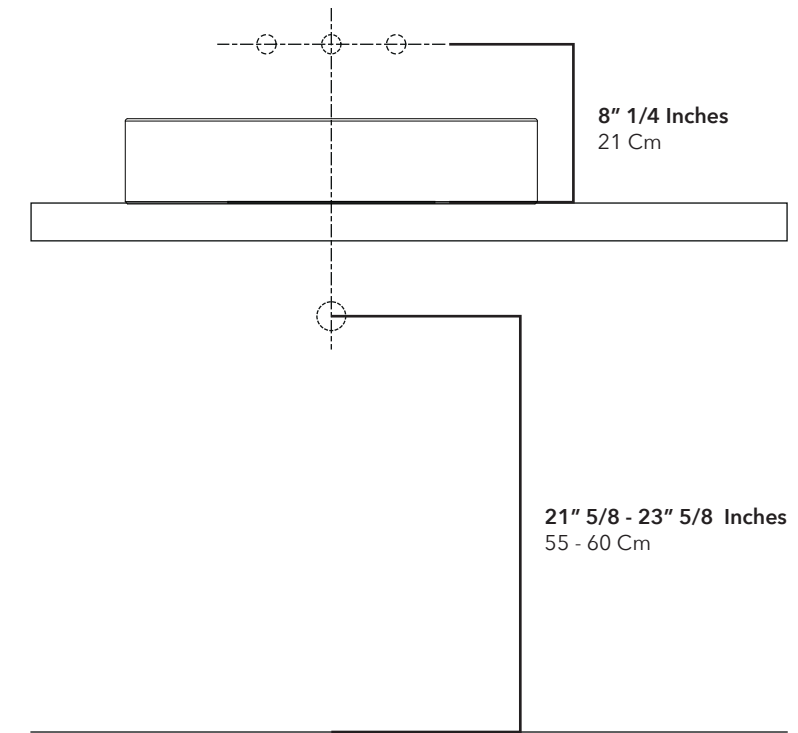
**KONKRETUS**

# Installation Notes

Notas de Instalación

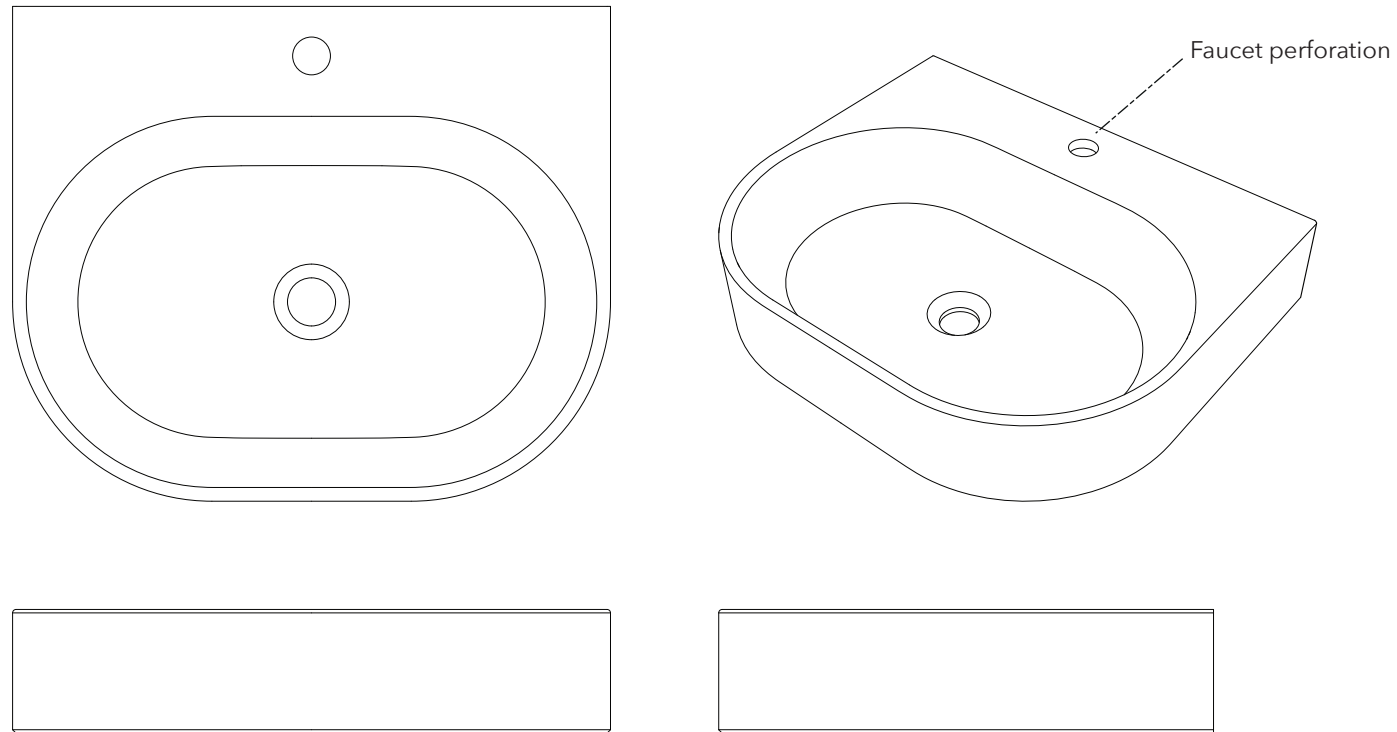
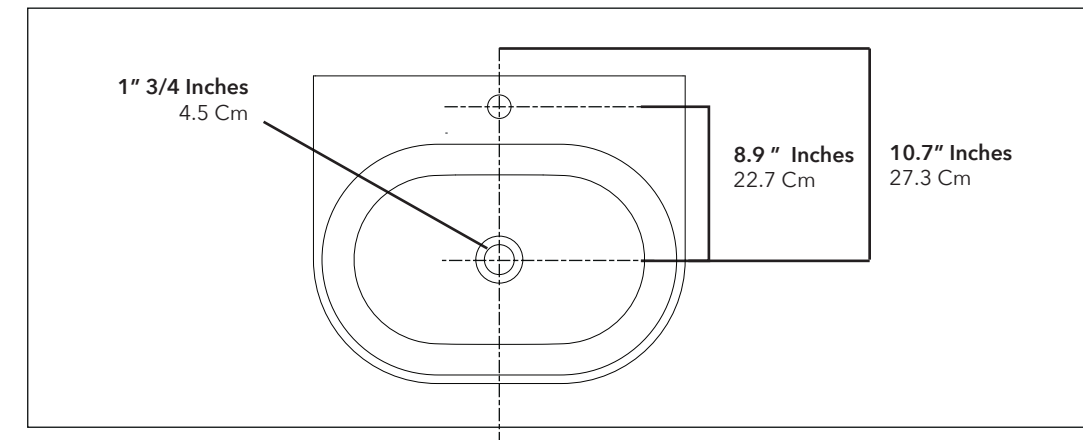
## Recommended height for wall mounted taps

Altura recomendada para grifería de pared



## Recommended perforations for drain and countertop tap

Perforaciones recomendadas para el desagüe y la grifería de mesón



Scale 1:5

Note: Illustrative images, may vary from the real product.

## Dimensions

Dimensiones

<b>Height</b> Altura	<b>4" 1/4 Inches - 11 Cm</b> 4" 1/4 Pulgadas - 11 Cm
<b>Width</b> Ancho	<b>21.6" Inches - 55 Cm</b> 21.6" Pulgadas - 55 Cm
<b>Depth</b> Profundidad	<b>18.1" Inches - 46 Cm</b> 18.1" Pulgadas - 46 Cm

## Weight

Peso

**48.5 Pounds - 22 Kg**  
48.5 Libras - 22 Kg

## Material

Material

**Concrete**  
Concreto

Note: These are approximate and may vary.

Note: These are recommended and may vary, verify before intallate.