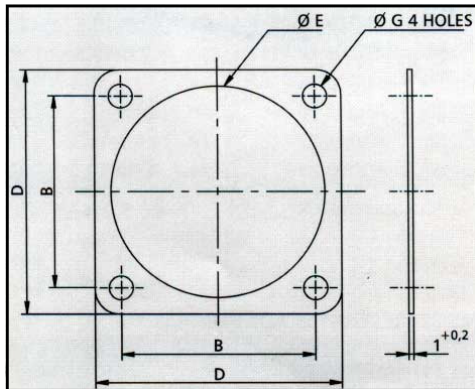


Data Sheet

SEALING GASKET



Sealing Gaskets (used with MS 3100 & 3102 styles) prevents dirt, oil and moisture from entering at the mounting point between the connector and panel. This gives the connection proper sealing eliminating any air gaps between the panel and connector. It is made from **polychloroprene**. **Gasket thickness varies from 1-1.5mm Thick.**

MS Part Number	Shell Size	B +0.4, -0.0	D ±0.25	E +0.4, -0.0	G ±0.25
MS 02 10SL SQG (MS-101000)	10SL	18.26	25.4	15.88	4.37
MS 02 12S SQG (MS-108686)	12S	20.62	27.79	19.05	4.37
MS 02 14S SQG (MS-101001)	14S	23.01	30.17	22.22	4.37
MS 02 16S SQG (MS-101002)	16S	24.61	32.54	25.40	4.37
MS 02 18S SQG (MS-101003)	18S	26.97	34.93	28.58	5.16
MS 02 20S SQG (MS-101004)	20S	29.36	38.10	31.75	5.16
MS 02 22S SQG (MS-101005)	22S	31.75	41.27	34.92	5.16
MS 02 24S SQG (MS-108687)	24S	34.93	44.45	38.10	5.16
MS 02 28S SQG (MS-101006)	28S	39.67	50.80	44.45	5.16
MS 02 32S SQG (MS-108688)	32S	44.45	57.15	50.80	5.56
MS 02 36S SQG (MS-101007)	36S	49.22	63.50	55.57	5.56
MS 02 40S SQG (MS-110831)	40S	55.57	69.85	61.90	5.56

TEL + 61 3 9793 4666
 FAX + 61 3 9706 7010
 WEBSITE www.alliedconnectors.com
 EMAIL sales@alliedconnectors.com

VGL IMPEX PTY LTD ABN 28 007 143 259 T/A

ALLIED CONNECTORS

27 Station Street, Dandenong VIC 3175 AUSTRALIA