

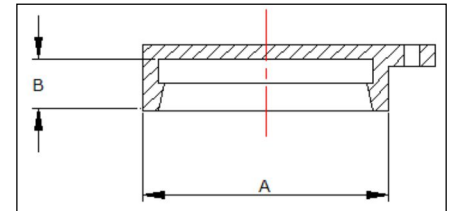
# Data Sheet

## Rubber Dust Caps

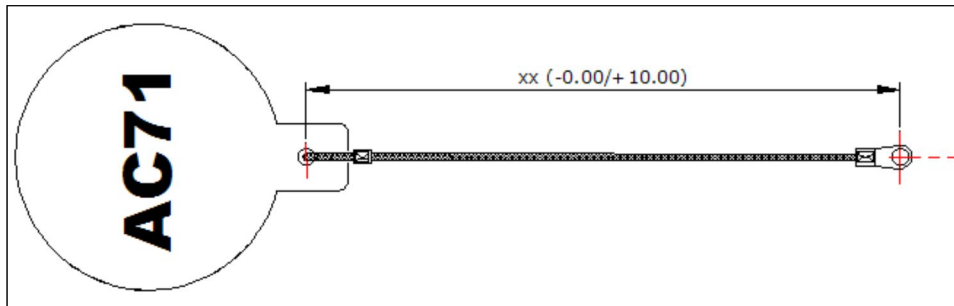
AC71 series dust caps are an alternative to the standard 26482 Series I metal-body dust caps. The AC71 Series caps are made out of polychloroprene rubber, and are secured onto the body of the connector by a simple push. They are secured by a nylon cord and a metal lug. These caps are suitable for the box-mount and panel-mounted versions.



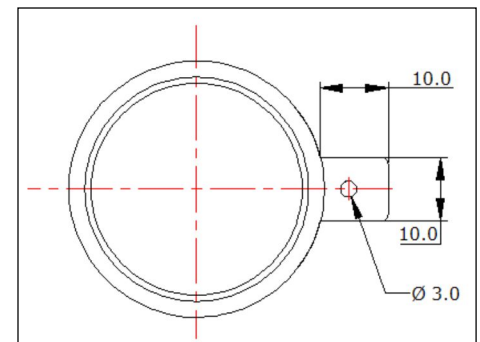
SIDE VIEW



TOP VIEW



BOTTOM VIEW



### DIMENSIONAL DETAILS

VGL Part No.	Shell Size	Dim A (mm)	Dim B (mm)
AC71-08-L125	08	15.0	8.5
AC71-10-L125	10	18.0	8.5
AC71-12-L125	12	22.0	8.5
AC71-14-L125	14	25.2	8.5
AC71-16-L125	16	28.4	8.5
AC71-18-L125	18	31.6	8.5
AC71-20-L125	20	34.8	8.5

Standard length of cord supplied is 125mm long. (Replace 'xx' with length of cord required - POA)

### MATERIAL DETAILS

ITEM	MATERIAL	FINISH
Cap	Polychloroprene Rubber	Black
Cord	Nylon	Black
Crimp clip (Loop to secure cap)	Steel Annealed	Black/Brown
End Lug (M4 hole)	Copper Alloy	Black plated



VGL IMPEX PTY LTD ABN 28 007 143 259 T/A  
**ALLIED CONNECTORS**  
 192-196 Atlantic Drive Keysborough VIC 3173 AUSTRALIA

AUS WIDE 1300 793 466  
 INTL +61 (3) 9701 8514  
 FAX +61 (3) 9701 8565  
 WEBSITE [www.alliedconnectors.com](http://www.alliedconnectors.com)  
 EMAIL [sales@alliedconnectors.com](mailto:sales@alliedconnectors.com)