

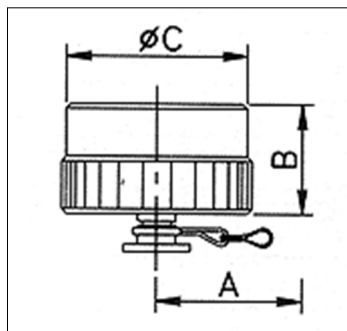
Data Sheet

Metallic Dust Caps

Standard finish is olive drab chromate over cadmium plating with straight knurling. To order add suffix - XX to required style, where XX specifies shell size. It is strongly recommended that these are fitted to provide protection when connectors are not in use. For alternate finishes or dust covers with heavy duty ribs, contact factory for further details and part number.

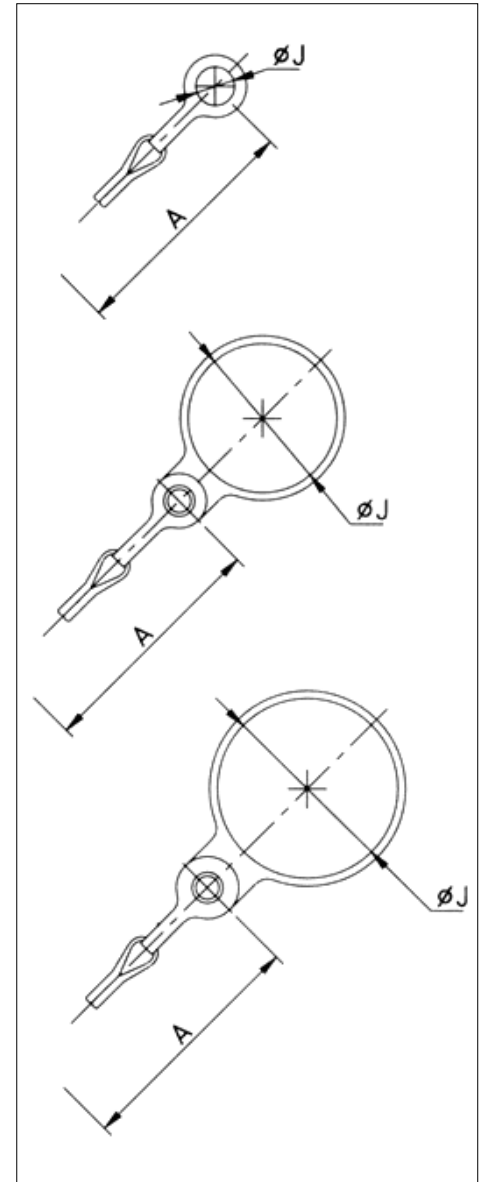
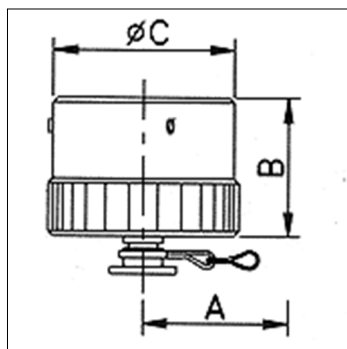
For Receptacles

Dust Cover Style		To fit receptacle style
With Chain	With Nylon Cord	
62IN-736	62IN-813	Jam Nut
62IN-737	62IN-814	Cable Mounting
62IN-738	62IN-812	Wall & Box Mounting



For Plugs

Dust Cover Style	
With Chain	With Nylon Cord
62IN-742	62IN-810



Specials

Deviation N°	Description
622	Cadmium free zinc-cobalt plating-olive drab finish
623	Black zinc alloy, trivalent passivation
624	Cadmium free zinc-cobalt plating-black finish