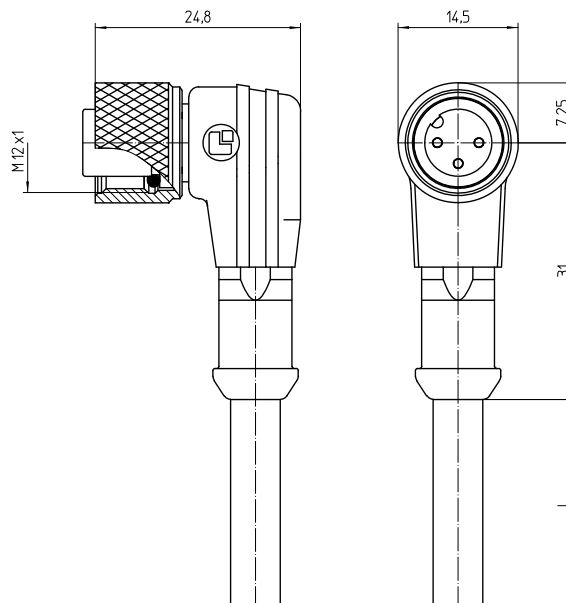


M12

1205 ... 3...

Actuator/sensor cordset **PUR**
Single-ended with female connector
Threaded joint, IP67



M12 actuator/sensor cordset with overmolded connector, with self-locking threaded joint, IP 67

Cable end 1: M12 female connector, angled, A-coded

Cable end 2: blunt cut

Cable: PUR, black

Pin Assignment

4 pole



1 = brown
2 = white
3 = blue
4 = black

5 pole



1 = brown
2 = white
3 = blue
4 = black
5 = green/yellow

8 pole



1 = white
2 = brown
3 = green
4 = yellow
5 = gray
6 = pink
7 = blue
8 = red

12 pole



1 = brown
2 = blue
3 = white
4 = green
5 = pink
6 = yellow
7 = black
8 = gray

9 = red
10 = violet
11 = gray/pink
12 = red/blue



Ambient Conditions

Temperature Range -25 °C/+80 °C

Materials

Insulating body TPU GF, HB according to UL 94
 Contact bush CuZn, pre-nickel and gold-plated
 Overmolding/handle TPU, halogen-free
 Knurled nut CuZn, nickel-plated
 Seal FKM

Mechanical Data

Insertion force¹ ≤ 10 N (4 to 5 pole)
 ≤ 23 N (8 pole)
 Withdrawal force¹ ≤ 15 N (4 to 5 pole)
 ≤ 30 N (8 pole)
 Mating cycles ≥ 100
 Protection degree² IP67
 Mating connectors M12 male connectors according to IEC 61076-2-101

Connected Cable³

Cable jacket PUR
 Cable no. 910301 (4 x 0.34 mm²)
 910302 (5 x 0.34 mm²)
 910303 (8 x 0.25 mm²)
 910315 (12 x 0.25 mm²)
 UL style 20549

Electrical Data (at T_{amb} 20 °C)

Contact resistance¹ ≤ 10 mΩ
 Rated current at T_{amb} 40 °C 4 A (4 to 5 pole)
 2 A (8 pole)
 1.5 A (12 pole)
 Rated voltage 250 V AC/DC (4 pole)
 60 V AC/DC (5 pole)
 30 V AC/DC (8 and 12 pole)
 Rated impulse voltage 2.50 kV (4 pole)
 1.50 kV (5 pole)
 0.80 kV (8 pole)
 0.50 kV (12 pole)
 Material group I (IEC)/0 (UL) (CTI=600)
 Pollution degree 3
 Insulation resistance > 100 MΩ

¹ measured with a proper counterpart

² according to IEC DIN EN 60529, only in locked condition with an appropriate counterpart

³ specifications on page 125

Designation	Poles	Cable	Cable Lengths [L] in m
1205 04 301 2m	4	PUR, black	2
1205 04 301 5m	4	PUR, black	5
1205 05 302 1m	5	PUR, black	1
1205 05 302 2m	5	PUR, black	2
1205 05 302 5m	5	PUR, black	5
1205 08 303 2m	8	PUR, black	2
1205 08 303 5m	8	PUR, black	5
1205 12 315 5m	12	PUR, black	5

More pole numbers and cable lengths on request.