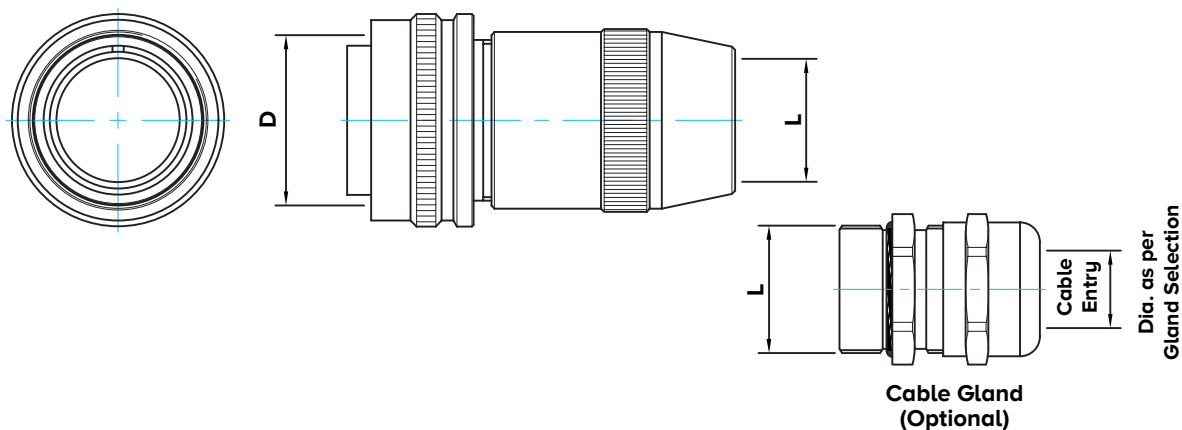


MS 3106 F ADP P ___ / M ___ Straight Cable Connector with Adapter (& Cable Gland - Optional)
 (add 'G' at the end for Brass Gland (Nickel Plated) & 'NGB' for Nylon Gland) (includes Grommet and follower)
 Eg. : MS 3106F 14S-7P ADP P11 G
 (Scope Straight Cable Connector 14S-7P with Adapter Backshell of PG11 Thd. with PG11 Brass Gland)



SHELL SIZE	D UNEF - 2B Thread	L Thread	
		Metric	PG
10SL	5/8" - 24	M12 M16	PG7 PG9 PG11 PG13.5
12S	3/4" - 20	-----	PG7 PG11
14S	7/8" - 20	M16 M20 M25	PG7 PG9 PG11 PG13.5 PG16
16S	1" - 20	M16 M20 M25	PG9 PG11 PG13.5 PG16
16			
18	1 1/8" - 18	M16 M20 M25 M32	PG7 PG9 PG11 PG13.5 PG16 PG21 PG29
20	1 1/4" - 18	M20 M25 M32 M40	PG7 PG9 PG11 PG13.5 PG16 PG21 PG29
22	1 3/8" - 18	M20 M25 M32	PG9 PG11 PG13.5 PG16 PG21 PG29
24	1 1/2" - 18	M16 M20 M25 M32 M40	PG9 PG11 PG13.5 PG16 PG21 PG29
28	1 3/4" - 18	M20 M25 M32 M40	PG11 PG16 PG21 PG29 PG36
32	2" - 18 UNS	M20 M25 M32 M40	PG21 PG29 PG36
36	2 1/4" - 16 UN	M32 M40	PG21 PG29 PG36
40	2 1/2" - 16 UN	M50 M63	PG29 PG36 PG48

NOTE : Dimensions are not contractual & may be subject to changes