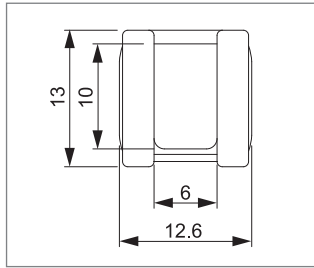


CPS015

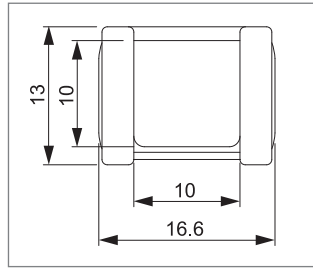


CPS Mini Chain

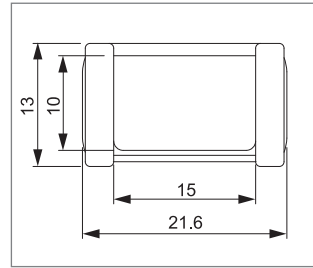
Chain Cross Section



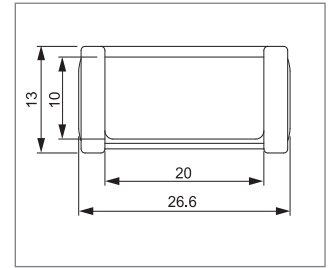
CPS015.06



CPS015.10

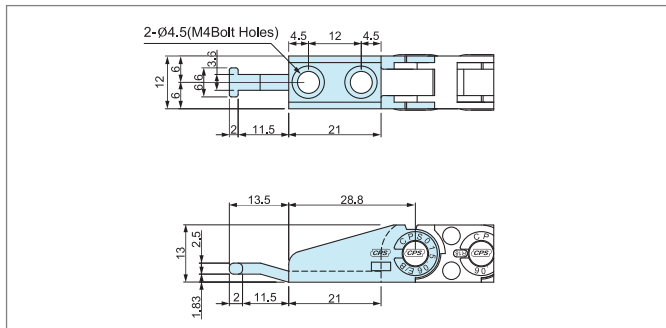


CPS015.15

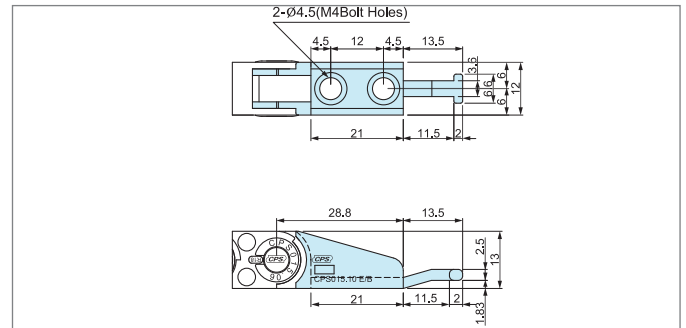


CPS015.20

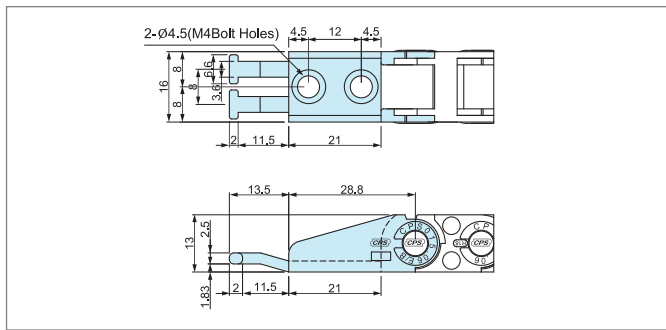
End Bracket(Tie Wrap Type)



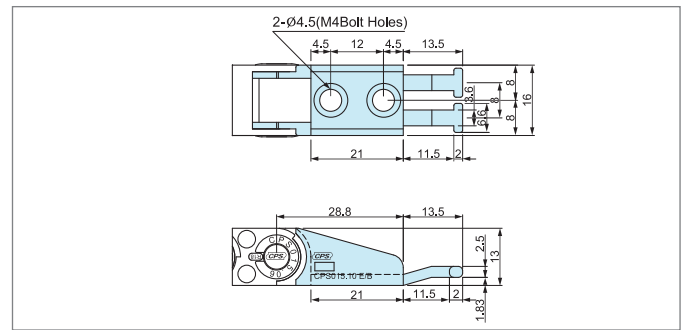
CPS015.06 Moving End



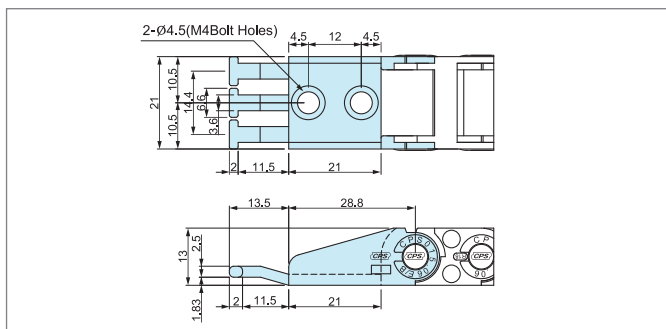
CPS015.06 Fixing End



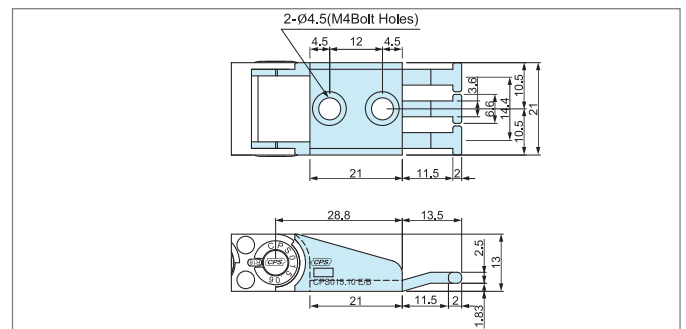
CPS015.10 Moving End



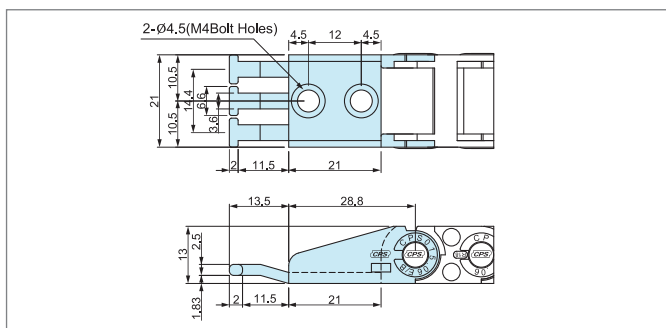
CPS015.10 Fixing End



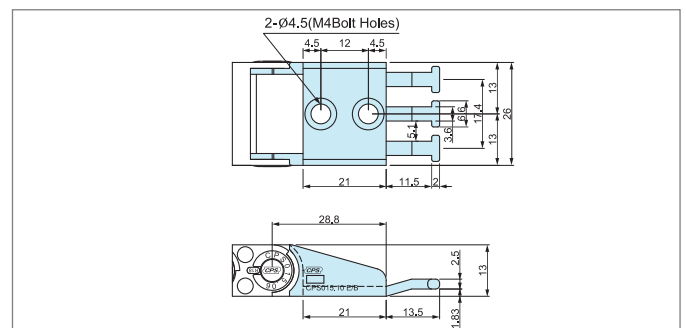
CPS015.15 Moving End



CPS015.15 Fixing End



CPS015.20 Moving End



CPS015.20 Fixing End